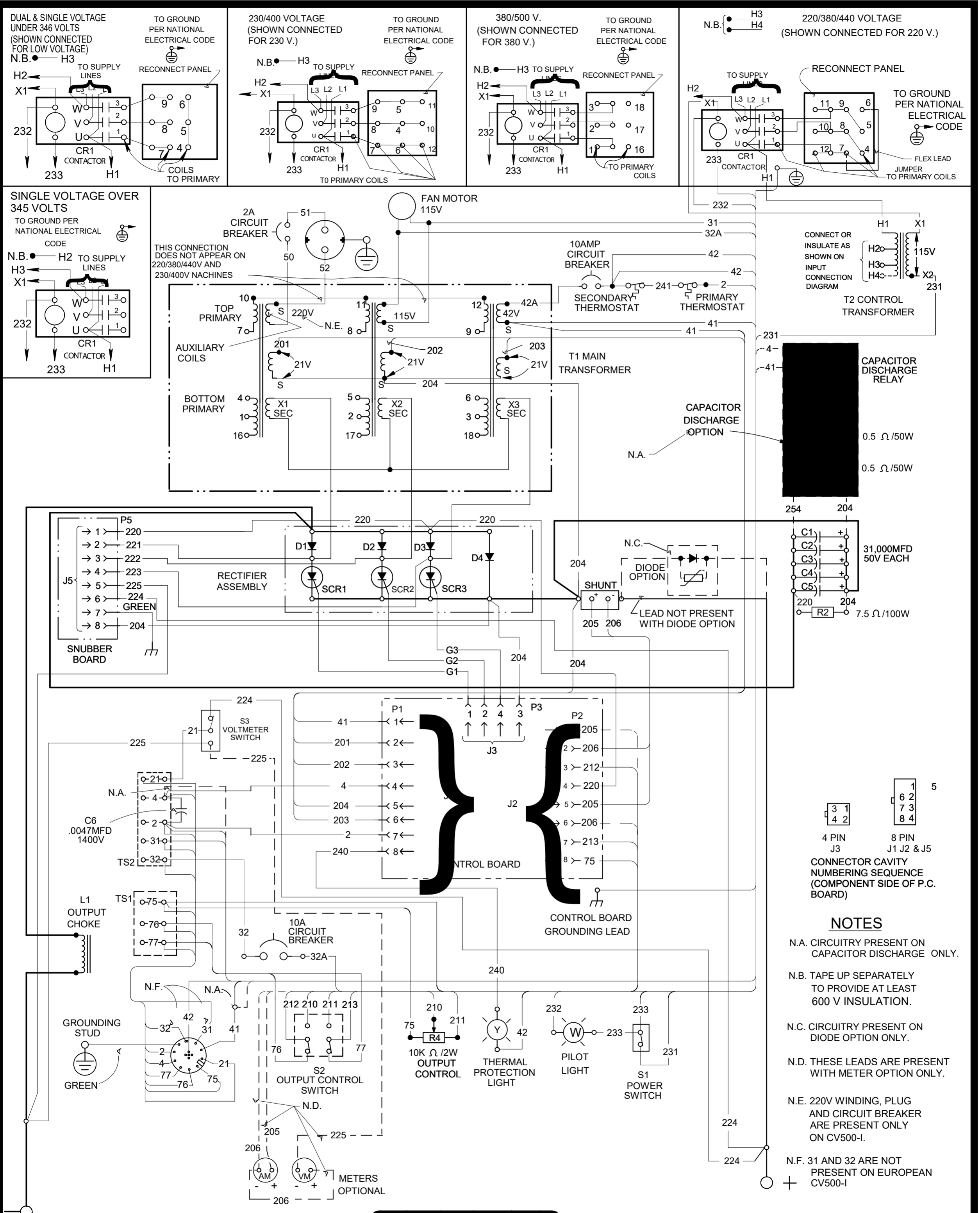


# CV-400, CV 500-I WIRING DIAGRAM L9269 REV: B



- NOTES**
- N.A. CIRCUITRY PRESENT ON CAPACITOR DISCHARGE ONLY.
  - N.B. TAPE UP SEPARATELY TO PROVIDE AT LEAST 600 V INSULATION.
  - N.C. CIRCUITRY PRESENT ON DIODE OPTION ONLY.
  - N.D. THESE LEADS ARE PRESENT WITH METER OPTION ONLY.
  - N.E. 220V WINDING, PLUG AND CIRCUIT BREAKER ARE PRESENT ONLY ON CV500-I.
  - N.F. 31 AND 32 ARE NOT PRESENT ON EUROPEAN CV500-I

