

2012 DISPLAY PROPOSAL



THE HARRIS PRODUCTS GROUP
EQUIPMENT



A LINCOLN ELECTRIC COMPANY

BASE UNIT - GONDOLA Powder Coated Dusty Gray, Packed 1 per Carton

PN: 9700046

DESCRIPTION: GONDOLA, KEYSTONE

QUANTITY:

50

75

100

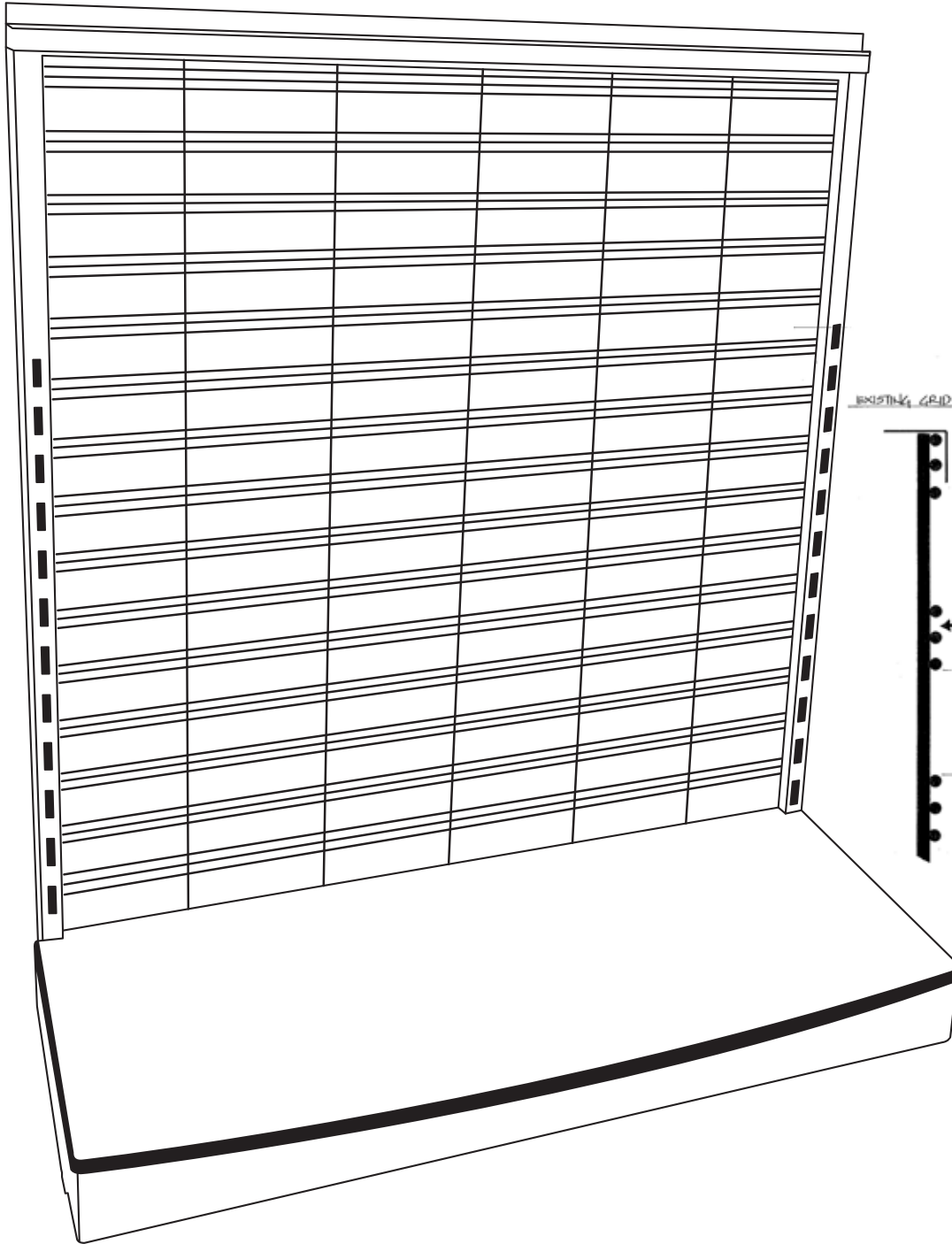
PRICE:

\$ 270.20

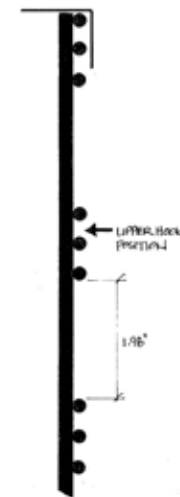
\$ 234.59

\$ 216.51

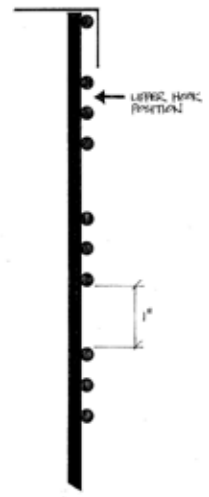
REQUISITION 1



EXISTING GRID



REVISED GRID



EQUIPMENT HEADER CARD - 1 PER GONDOLA
PN: 9700030

DESCRIPTION: HEADERCARD,EQUIPMENT KEYSTONE

EQUIPMENT

www.harrisproductsgroup.com

PROFESSIONAL TOOLS...
SUPERIOR RESULTS™



Packed Bulk
Header quoted as 3 mm white expanded PVC 7" x 47.5" digitally
printed one side.

QUANTITY:	PRICE:
50	\$ 7.56
75	\$ 7.13
100	\$ 6.91

REQUISITION 2

ALLOYS HEADER CARD - 1 PER GONDOLA
PN: 9700031

DESCRIPTION: HEADERCARD,CONSUMABLES KEYSTONE

CONSUMABLES

www.harrisproductsgroup.com

PROFESSIONAL ALLOYS...
SUPERIOR RESULTS™



REQUISITION 2

QUANTITY:	PRICE:
50	\$ 7.56
75	\$ 7.13
100	\$ 6.91

BACK BOARD SHEET - 1 PER GONDOLA

PN: 9700033

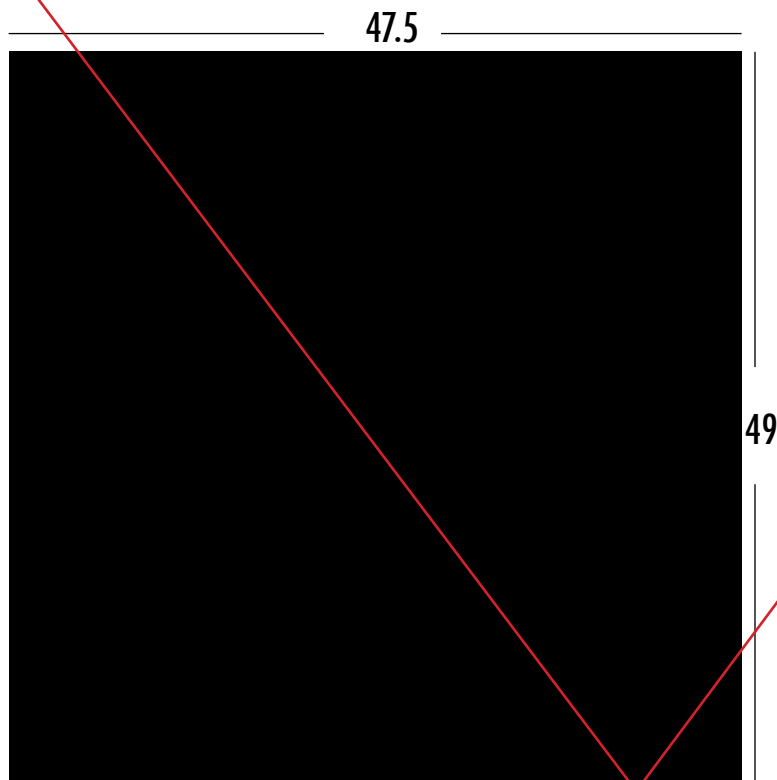
DESCRIPTION: BACKBOARD,GONDOLA KEYSTONE

QUANTITY: PRICE:

100 \$ 21.99 ea.

150 \$ 21.42 ea.

200 \$ 21.33 ea.



Packed with the Display
Back panel quoted as 3 mm
black expanded PVC 47.5 x
49 no print.

BLACK POLY SHEET MATERIAL
-No print

SIDE GRAPHIC CARDS - 2 PER GONDOLA + FASTENERS

PN: 9700032

DESCRIPTION: CARD,SIDE GRAPHIC SET 2 KEYSTONE

Packed with the Display

Side panels quoted as 6 mm black expanded PVC 18.875 x 42
digitally printed over white.



QUANTITY: PRICE:

PRICE:

100 Sets \$ 57.64 each set

150 Sets \$ 55.53 each set

200 Sets \$ 54.48 each set



UNIVERSAL TORCH BRACKET

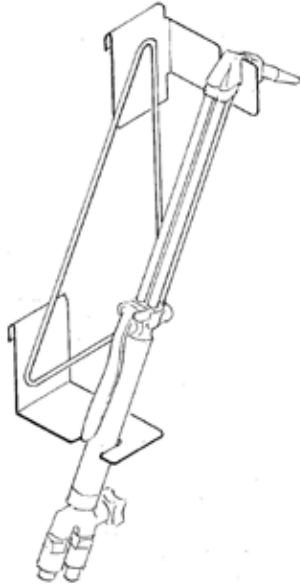
PN: 9700045 DESCRIPTION: BRACKET, UNIVERSAL TORCH KEYSTONE

QUANTITY: PRICE:

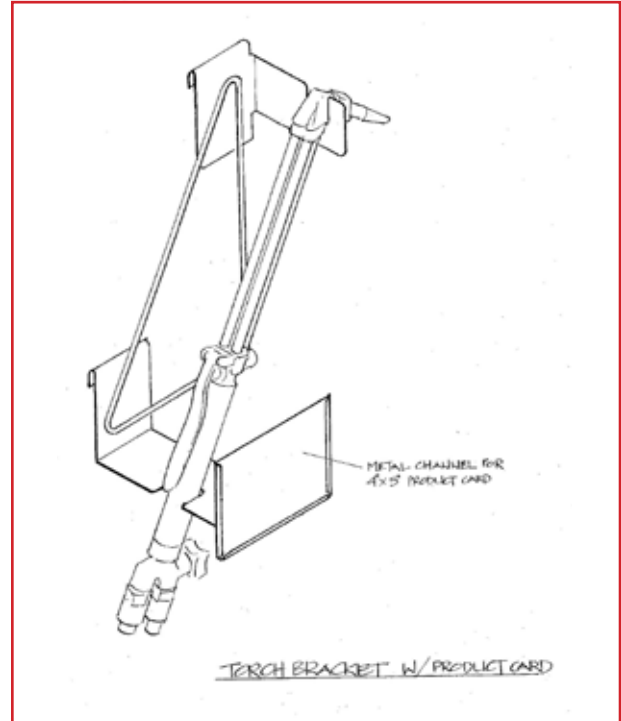
100

150

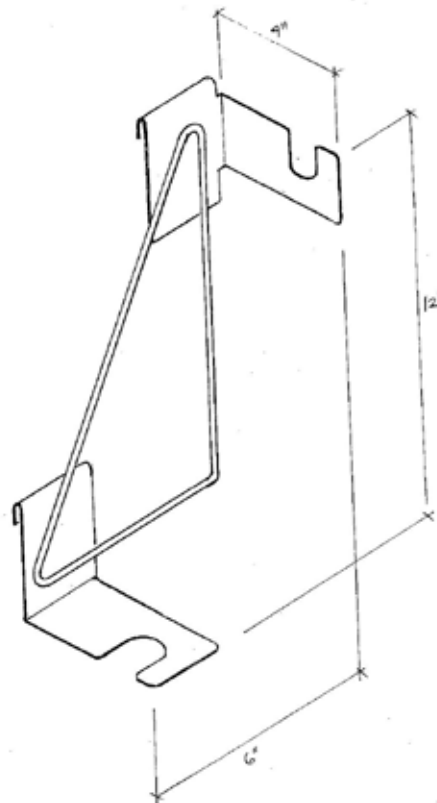
200



TORCH BRACKET



TORCH BRACKET W/ PRODUCT GUARD

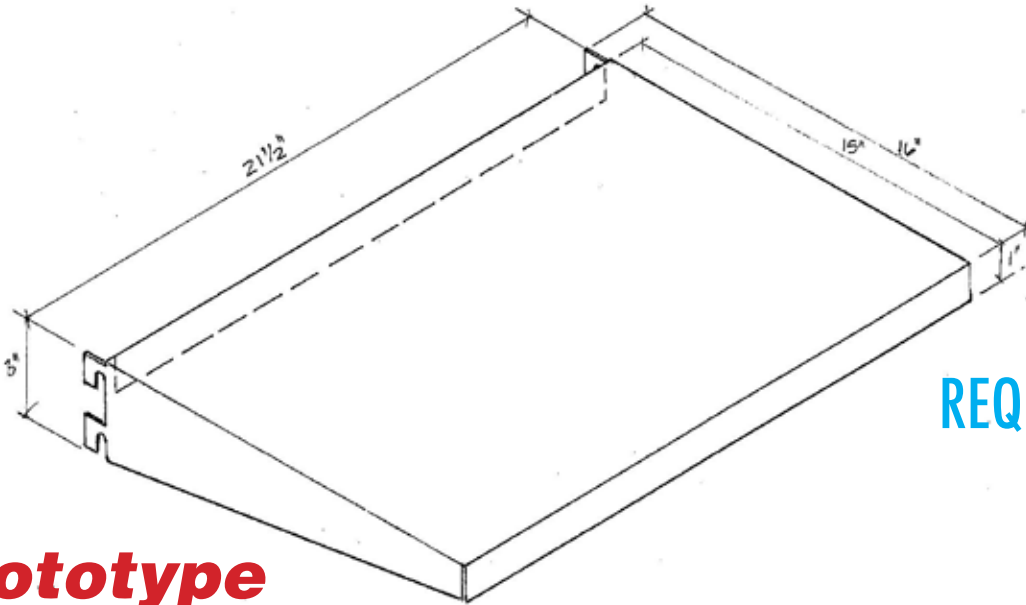


TORCH BRACKET

On Hold

25" shelf
PN: 9700047 DESCRIPTION: UNIT, 25.5" SHELF KEYSTONE
Powder Coated Dusty Gray, Packed 1 per Carton

QUANTITY: PRICE:
50 pcs \$ 30.00 each



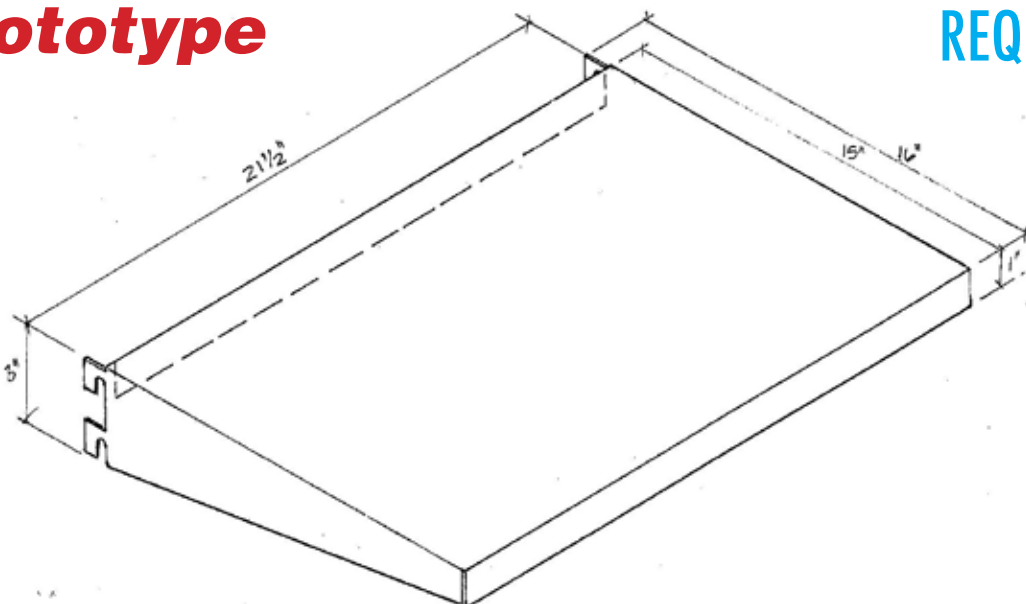
REQUISITION 3

Prototype

NARROW SHELF

19.5" SHELF UNIT
PN: 9700048 DESCRIPTION: UNIT, 19" SHELF KEYSTONE
Powder Coated Dusty Gray, Packed 1 per Carton

QUANTITY: PRICE:
50 pcs \$ 30.00 each



REQUISITION 3

Prototype

NARROW SHELF



FULL SHELF UNIT

PN: 9700035

Powder Coated Dusty Gray, Packed 1 per Carton

DESCRIPTION: UNIT, FULL SHELF KEYSTONE

QUANTITY:

PRICE:

100 pcs

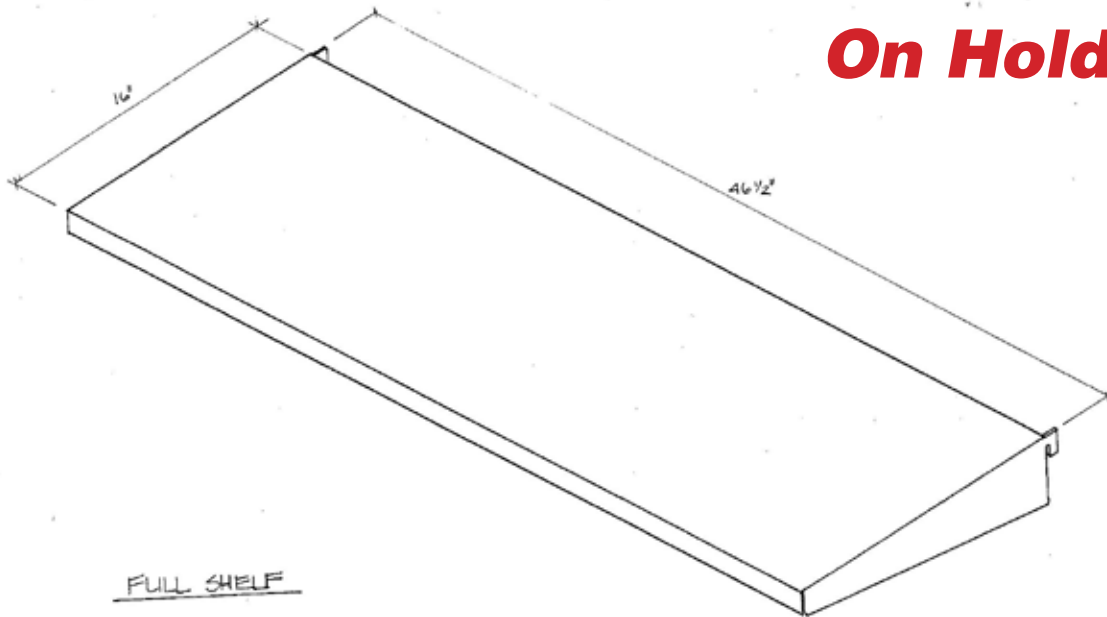
\$ 59.67 each

150 pcs

\$ 52.66 each

200 pcs

\$ 49.91 each



On Hold

TIP FIXTURE

PN: 9700036

Powder Coated Dusty Gray,

DESCRIPTION: FIXTURE, TIP KEYSTONE

REQUISITION 2

QUANTITY:

PRICE:

100 pcs

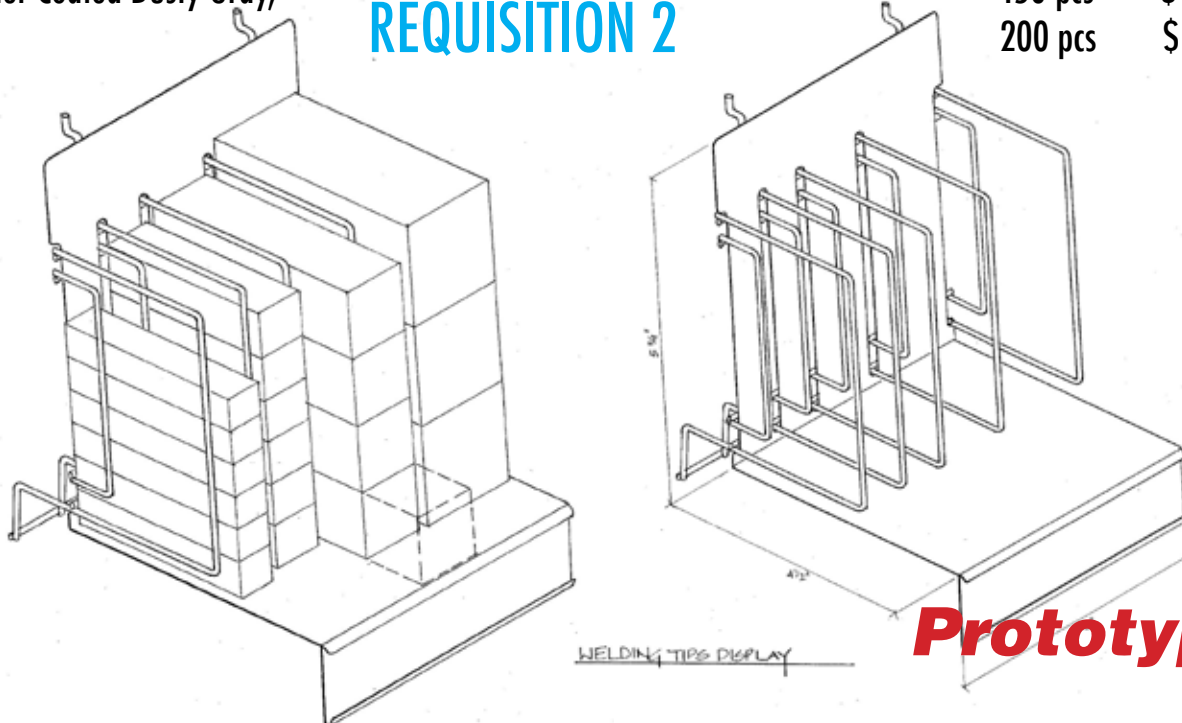
\$ 18.50 each

150 pcs

\$ 15.60 each

200 pcs

\$ 13.75 each

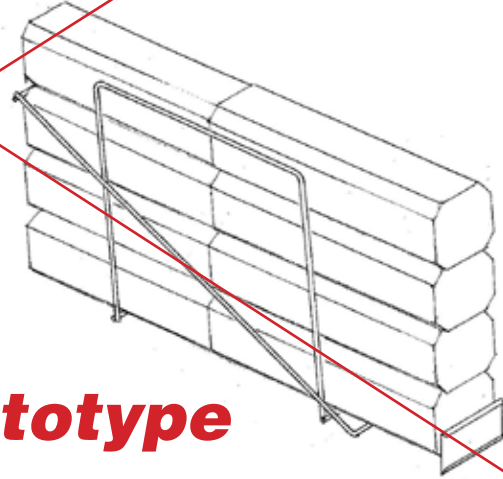
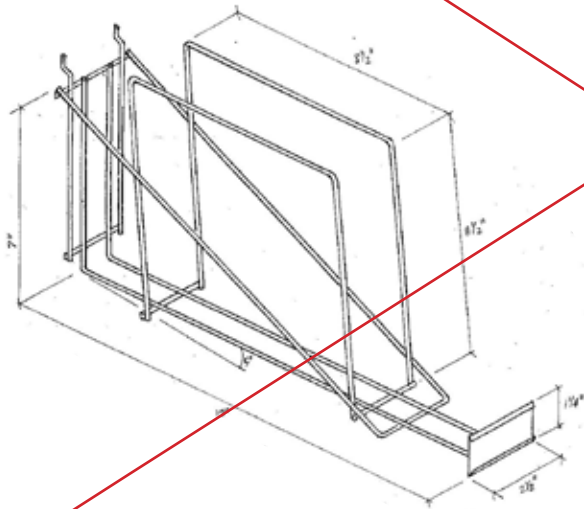


Prototype

STICK ELECTRODE FIXTURE
 PN: 9700037
 Powder Coated Dusty Gray,

DESCRIPTION: FIXTURE,STICK ELECTRODE KEYSTONE

QUANTITY:	PRICE:
100	
150	
200	

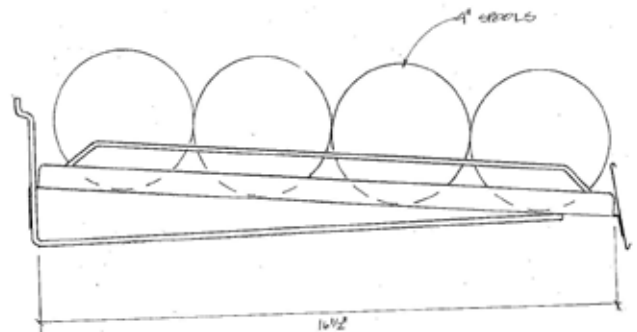
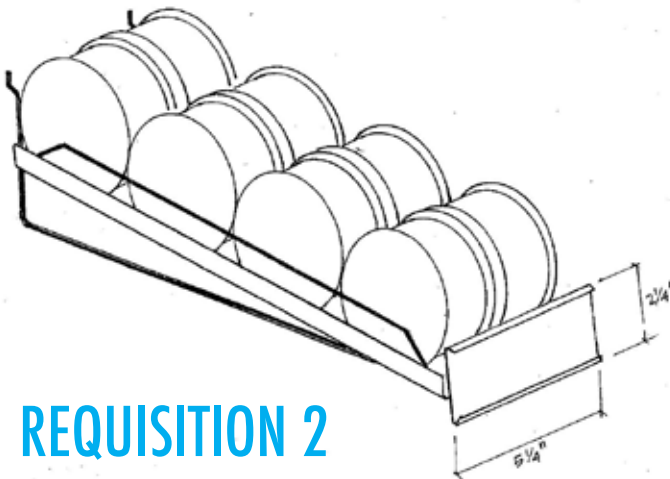


Prototype

4" & Solder SPOOL FIXTURE
 PN: 9700038
 Powder Coated Dusty Gray,
 -This is the same as the solder spool to reduce cost

DESCRIPTION: FIXTURE,4" & SOLDER KEYSTONE

QUANTITY:	PRICE:
100	12.50
250	8.91



REQUISITION 2

Proto type

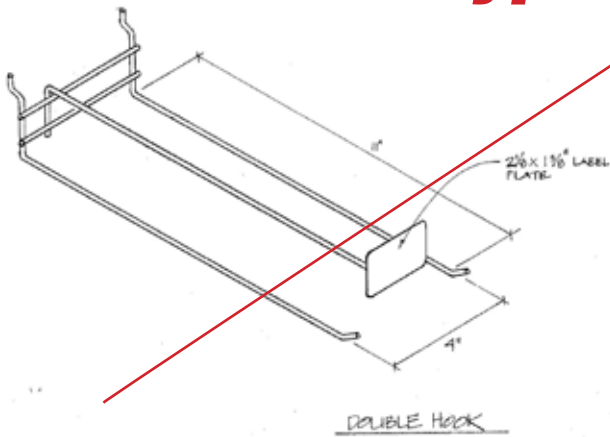


REGULATOR CLAMSHELL DISPLAY HOOK
 PN: 9700039 HOOK,REG CLAMSHELL DISPLAY KEYSTONE
 DOUBLE HOOK - Powder Coated Dusty Gray, Packed Bulk

QUANTITY: PRICE:
 300 3.29
 400 2.89

REQUISITION 3

Prototype

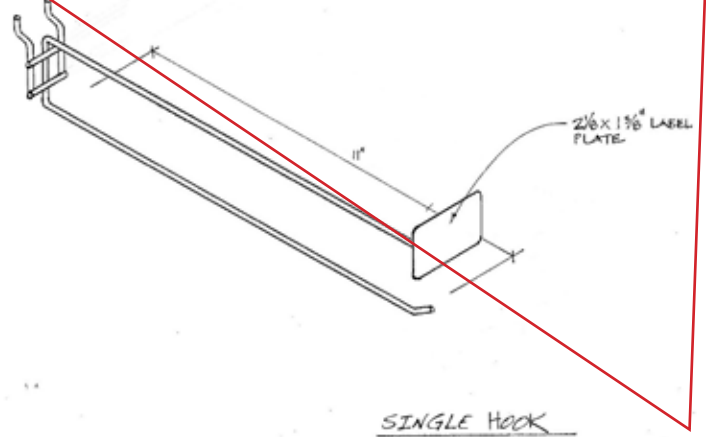


SINGLE 10" SLATWALL SCAN HOOK
 PN: 9700040 HOOK,10"SLATWALL SCAN KEYSTONE
 SINGLE HOOK - Powder Coated Dusty Gray, Packed Bulk

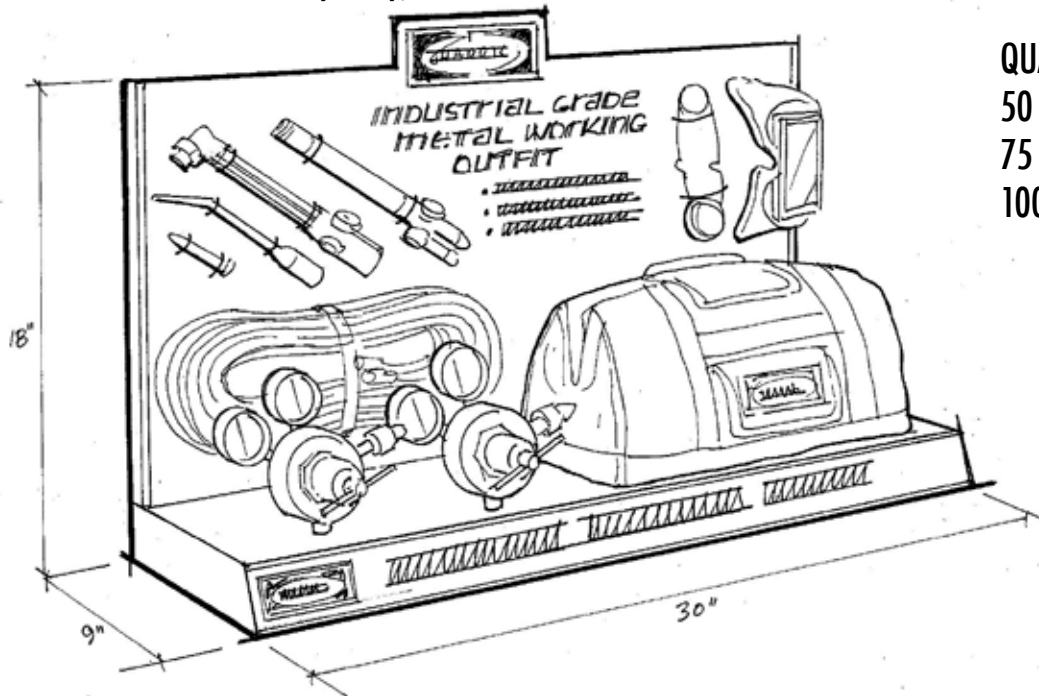
QUANTITY: PRICE:
 300 3.47
 400 3.11

REQUISITION 3

Prototype



KIT DISPLAY FIXTURE
 PN: 9700044 DESCRIPTION: FIXTURE,KIT DISPLAY KEYSTONE
 Powder Coated Dusty Gray,



QUANTITY: PRICE:
 50
 75
 100

On Hold

POP CALL OUT FIXTURE

PN: 9700041

DESCRIPTION: FIXTURE, POP CALL OUT KEYSTONE

HOOK - Powder Coated Dusty Gray, Packed Bulk

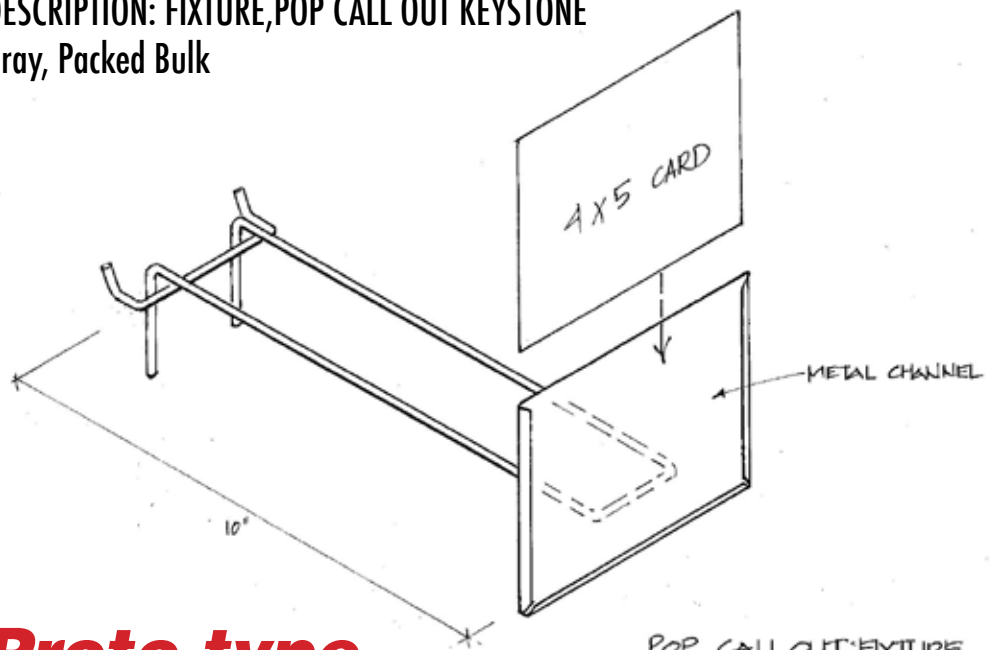
QUANTITY:

PRICE:

200

300

400



Proto type

LITERATURE FIXTURE

PN: 9700042

DESCRIPTION: FIXTURE, LITERATURE KEYSTONE

- Powder Coated Dusty Gray, Packed Bulk

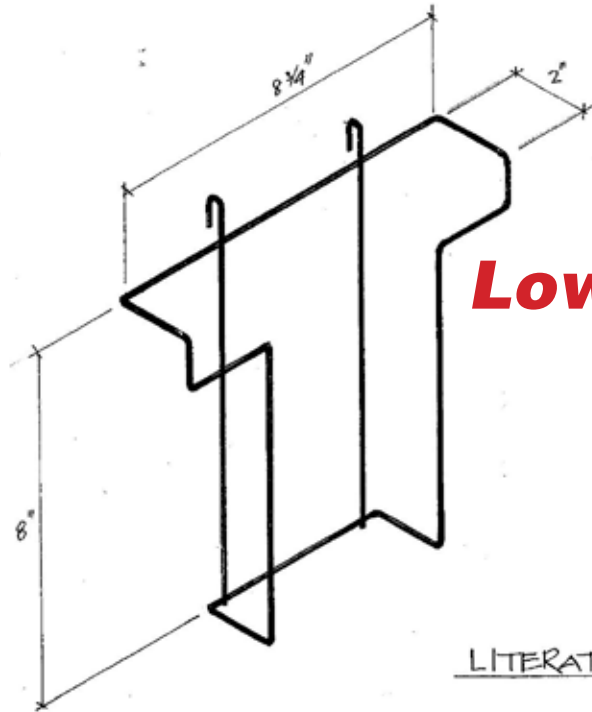
QUANTITY:

PRICE:

50

75

100



Low Priority

LITERATURE POCKET

INFERNO HEADER CARD - 1 PER ALLOY GONDOLA

PN: 9700043

DESCRIPTION: HEADERCARD, INFERNO KEYSTONE

The advertisement for Inferno by Harris features a welder in the background. On the left is the Harris logo with the tagline 'The Harris Products Group'. The word 'inferno' is written in a large, white, lowercase font with a blue flame graphic above the 'o'. Below it, 'BY HARRIS' is written in a smaller white font. To the right, the text 'MORE HEAT, CONTROL AND CONSISTENCY' is displayed in blue. Below this, the heading 'INFERNO FEATURES & BENEFITS' is followed by a bulleted list:

- CONSTRUCTED FROM INDUSTRIAL GRADE MATERIALS
- DESIGNED FOR A LONG SERVICE LIFE
- SWIRL COMBUSTION TECHNOLOGY
- QUALITY-DRIVEN, PRECISION MANUFACTURING PROCESS
- THE PERFECT FLAME FOR EVEN HEATING
- INTEGRATES WITH EXISTING QUICK CONNECT AIR-FUEL HANDLES

Packed Bulk

Header quoted as 3 mm white expanded PVC 7" x 47.5" digitally printed one side.

-Prototype approved as is



A LINCOLN ELECTRIC COMPANY

THE HARRIS PRODUCTS GROUP
A LINCOLN ELECTRIC COMPANY
2345 MURPHY BLVD.
GAINESVILLE, GA 30504
1.800.241.0804
www.harrisproductsgroup.com