

M12151, 83-383, YA5550A

M12151, 83-383, YA5550A

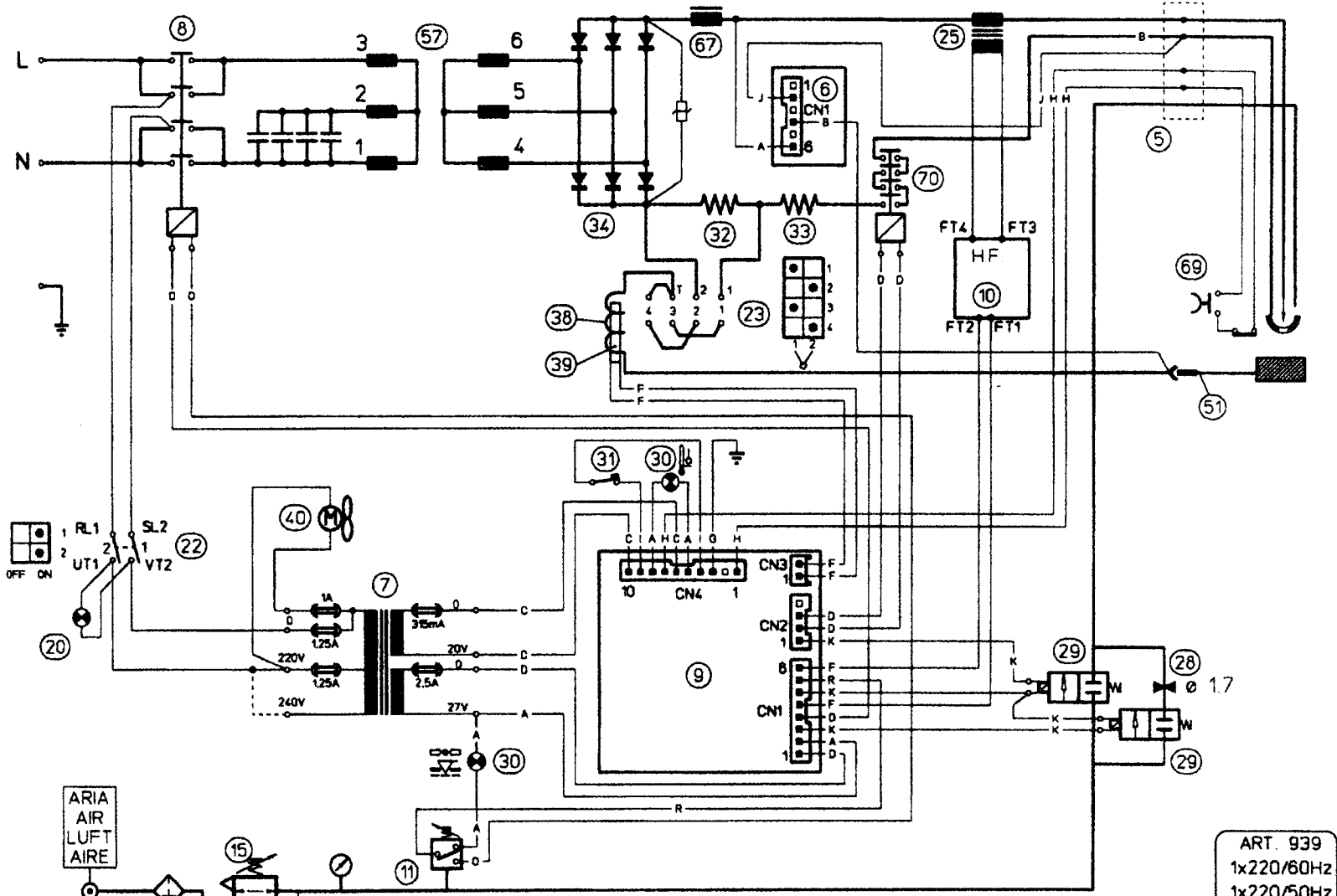
Item	Lincoln Stock #	Customer #	Description
1	312-512-666	250728	Handle
2	411-109-026	250907	Left Side Panel
4		251176 (5802714)	Center Divider
5	239-298-666	B7009380	Terminal Board
6		251177 (5600834)	Filter Circuit
7		251178 (5600462)	Control Transformer
8		251179 (3190277)	Contacto
9		251180 (5600995)	Control Circuit Board
10		251181 (5600846)	High Voltage Circuit
11	246-532-666	B7005380	Pressure Switch
12	541-279-666	250874	Strain Relief
13	238-713-666	260472	Power Cord
14	411-120-016	250877	Back Panel
15	254-006-666	B7006380	Air Regulator
16	251-030-666	B7014380	Gauge
17	215-031-666	250901	Shield
18	312-514-666	250896	Handle Support
19	245-168-666	246250	Lamp Holder
20		B7011380	Pilot Lamp
22		260473	Switch w/knob
23	246-526-666	251220	Switch w/knob
24	253-340-666	B7013380	Coupling
25		251186	High Voltage Transformer
26		251187 (3160045)	Fitting
27		250872 (3160046)	Fitting
28	541-279-666	250894	Thermostat
29		B7105370 (3160181)	Solenoid
30		251188 (3175439)	Pilot Lamp
32	215-029-666	251189	Resistor
33	215-030-666	251190	Resistor
34	244-086-666	251191	Rectifier
35	245-170-666	B7015380	Lamp Holder
36	245-169-666	246251	Lamp Holder
37	334-607-666	B7016380	Strain Relief
38	210-358-666	251192	Coil
39	411-125-666	250885	Reed
40	216-108-666	246224	Fan Motor

Item	Lincoln Stock #	Customer #	Description
41	079-306-666	B7073370	Quick Connector
42		251193	Torch Cable
43	334-599-000	M15820,250747,83-673	Torch Head
44	512-264-666	251194	O-Ring
45		M15818,250745,83-671	Electrode Wrench
46		251195 (3065204)	Diffuser
47		334-591-000, M15815, YA5550A1, 83-668	Short Electrode
		334-638-000, M15816YA5550A4, 83-669	Long Electrode
48		334-589-000, M15852, M15803, YA22257, 83-667	Diffusers (2)
49		334-652-000, M15811, YA5550A3, 83-663	Short Nozzle (0.9mm)
		334-653-000, M15814, YA22252, 83-666	Short Nozzle (1.0mm)
		M15812, 83-664	Short Nozzle (1.2mm)
		M15813, YA5550A5, 83-665	Long Nozzle (0.9mm)
		334-593-000, M15805, YA22254, 83-631	Long Nozzle (1.0mm)
50		334-651-000, M15810, YA22259, 83-662	Nozzle Holder
51	238-714-666	251196	Ground Cable
52	312-518-666	B7037380	Handle & Trigger
54	253-341-666	B7004380	Coupling
55		260495	Front Panel
56	411-124-666	250893	Base
57	880-578-666	251199	Transformer
58	216-109-666	250726	Fan Blade
59	312-517-666	251201	Stiffener
60	413-121-666	250881	Axle
61	S27985-42	413-118-666, B7112370, B7033380	Wheel, 7 3/4" dia. X 1.22
62	312-513-666	250879	Fan Motor Bracket
63	412-756-666	B7035380	Foot
64	411-108-026	250897	Right Side Panel
65	411-107-026	250224	Cover
67		251202 (3205328)	Reactor Coil
68	213-043-666	260468	Capacitor
69		334-630-000, M15828, 250226, 83-681, 334-600-000	Complete Torch, 18 Ft.
70		B7100370 (3190268)	Contacto
71	213-044-666	260477	Capacitor
72		247506	Product Label
73		247509	Warning Label
74		M15809, YA5550A8, 83-661	Standoff

11-23-09

Model	Primary Input	Input Plug	Duty Cycle at Rated Output
M12151	230 Vac, 50A	N/A	40%

Rated Output	Voltage Settings	Agency Listing	Max Cutting Thickness
50 amps	2	CSA	1/2"



M12151, 83-383, YA5550A

ART. 939
 1x220/60Hz
 1x220/50Hz
 1x240/50Hz