

CLASSMATE™ SUBMERGED ARC WELDING TRAINER

Economical, Small Footprint Submerged Arc Welding System

Complete Submerged Arc Welding System

- Conduct CV-Submerged Arc training with an economical, space efficient, complete side beam solution. This system includes power source, controller, slides, travel carriage, adjustable height table, side beam and more.
- Perfect for weld procedure development and procedure qualification at engineering firms and large manufacturing facilities.
- Upgrades for more advanced power sources, powered cross slides, and seam tracking are available.



Processes

Submerged Arc

Input



Applications

- Submerged Arc Training
- Submerged Arc Procedure Development

Product Highlights

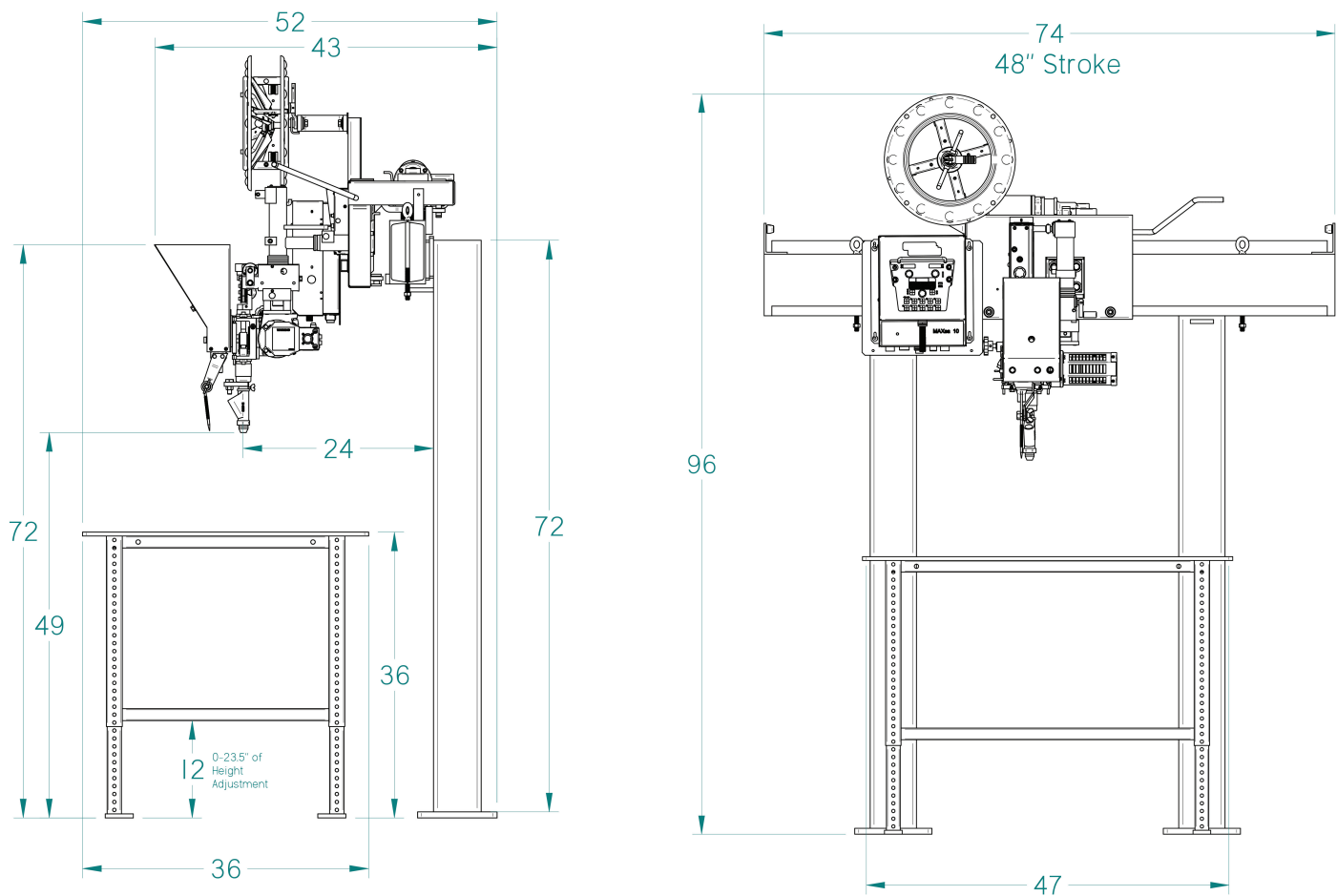
- Complete Standardized Solution
 - Flextec 650X Power Source
 - MAXsa 10 Controller
 - MAXsa 22 Feed Head
 - TC-3 Travel Carriage
 - K29 Vertical Lift Adjuster
 - K96 Horizontal Lift Adjuster
 - Flux Recovery Unit
 - 4 ft. Side Beam, Support Columns
 - Adjustable Height Weld Table

Custom System Upgrades

- Power Wave Power Source
- Motorized Slides
- Seam Tracking
- Laser Pointer
- All custom options available upon request

CLASSMATE SUBMERGED ARC WELDING TRAINER - SPECIFICATIONS

Product Number	Weld Travel ft (m)	Power Source	Slides	Total System Dimensions H x W x D in (m)
AD1043-25	4ft (1.2)	Flextec 650X	Vertical and horizontal lift adjusters	82 x 72 x 52 (2.1 x 1.8 x 1.3)



CUSTOMER ASSISTANCE POLICY

The Lincoln Electric Company is manufacturing and selling high quality welding equipment, consumables, and cutting equipment. Our challenge is to meet the needs of our customers and to exceed their expectations. On occasion, purchasers may ask Lincoln Electric for information or advice about their use of our products. Our employees respond to inquiries to the best of their ability based on information provided to them by the customers and the knowledge they may have concerning the application. Our employees, however, are not in a position to verify the information provided or to evaluate the engineering requirements for the particular weldment. Accordingly, Lincoln Electric does not warrant or guarantee or assume any liability with respect to such information or advice. Moreover, the provision of such information or advice does not create, expand, or alter any warranty on our products. Any express or implied warranty that might arise from the information or advice, including any implied warranty of merchantability or any warranty of fitness for any customers' particular purpose is specifically disclaimed.

Lincoln Electric is a responsive manufacturer, but the selection and use of specific products sold by Lincoln Electric is solely within the control of, and remains the sole responsibility of the customer. Many variables beyond the control of Lincoln Electric affect the results obtained in applying these types of fabrication methods and service requirements.

Subject to Change – This information is accurate to the best of our knowledge at the time of printing. Please refer to www.lincolnelectric.com for any updated information.