

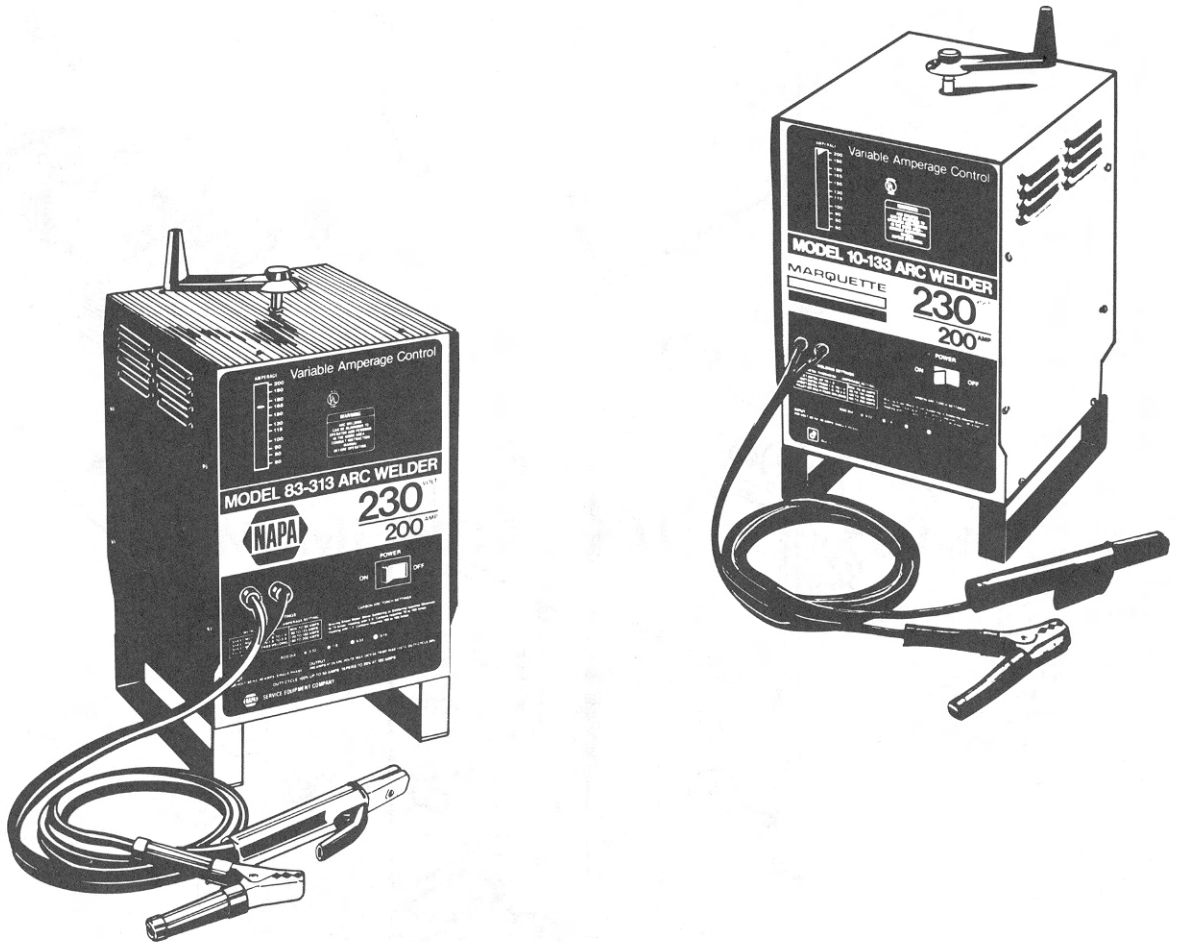
MARQUETTE.



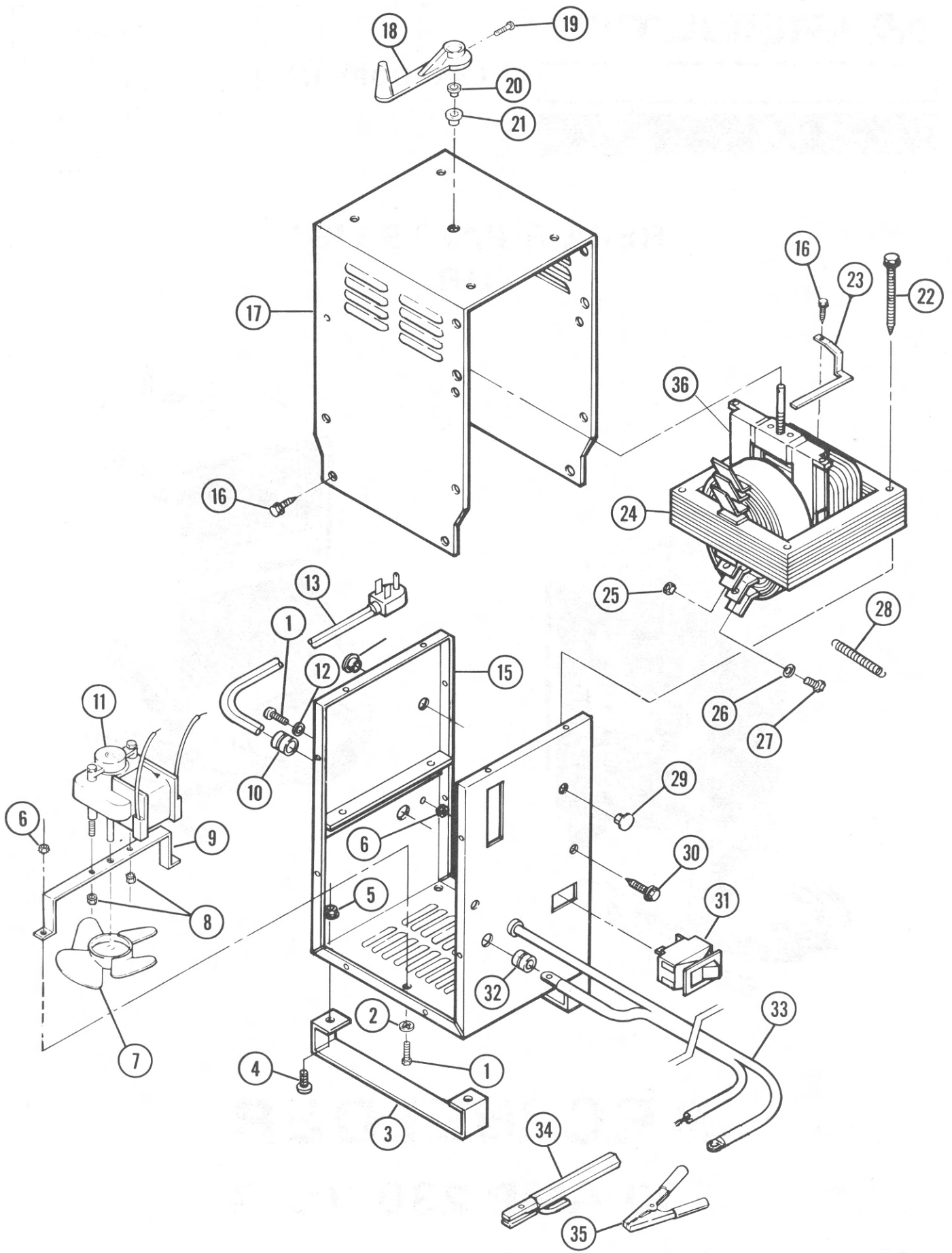
CATEGORY B

MODEL NUMBER
MARQUETTE
10-133
NAPA
83-313

REPAIR PARTS LIST FOR



ARC WELDER 200 AMP 230 VOLT



REPAIR PARTS LIST

Code No.	Part No.	Description	No. Req'd
1	69941015	Phillips Head Screw	3
2	31100035	Lockwasher	2
3	39900145-191	Foot	2
4	30100101	Carriage Bolt	4
5	30300033	Pal Nut	4
6	69977213	Sems Nut	3
7	39900159	Fan Blade	1
8	30300036	Sems Nut	2
9	21000365	Fan Bracket	1
10	48000008	Strain Relief	2
11	44200010	Fan Motor	1
12	69942999	Internal Tooth Lockwasher	1
13	46900003	Power Cord	1
14	39900150	Hole Plug	1
15	61986217	Cabinet (Marquette)	1
16	61986218	Cabinet (NAPA)	1
17	30100108	Screw	17
17	21000370-191	Cabinet Wrap (Marquette)	1
17	21000370-180	Cabinet Wrap (NAPA)	1
18	21500014	Crank	1

Code No.	Part No.	Description	No. Req'd
19	30000005	Round Head Screw	1
20	36400013	Shoulder Bushing	1
21	66548976	Snap Bushing	1
22	30100109	Hex Washer Head Screw	4
23	39900146	Indicator	1
24	95080916	Transformer Assembly	1
25	30300037	Sems Nut	2
26	69941122	Spring Lockwasher	2
27	69941284	Hex Head Screw	2
28	36200018	Shunt Spring	1
29	39900151	Hole Plug	1
30	30100102	Screw	4
31	43600028	Rocker Switch	1
32	48000010	Strain Relief	2
33	95080909	Weld Cable Assembly	1
34	68540705	Electrode Holder	1
35	99900007	Ground Clamp Kit	1
36	95080944	Shunt Assembly	1

NOTE: When replacing shunt assembly use a 9/64" drill to drill out the old rivets.

NUMERICAL PART LISTING

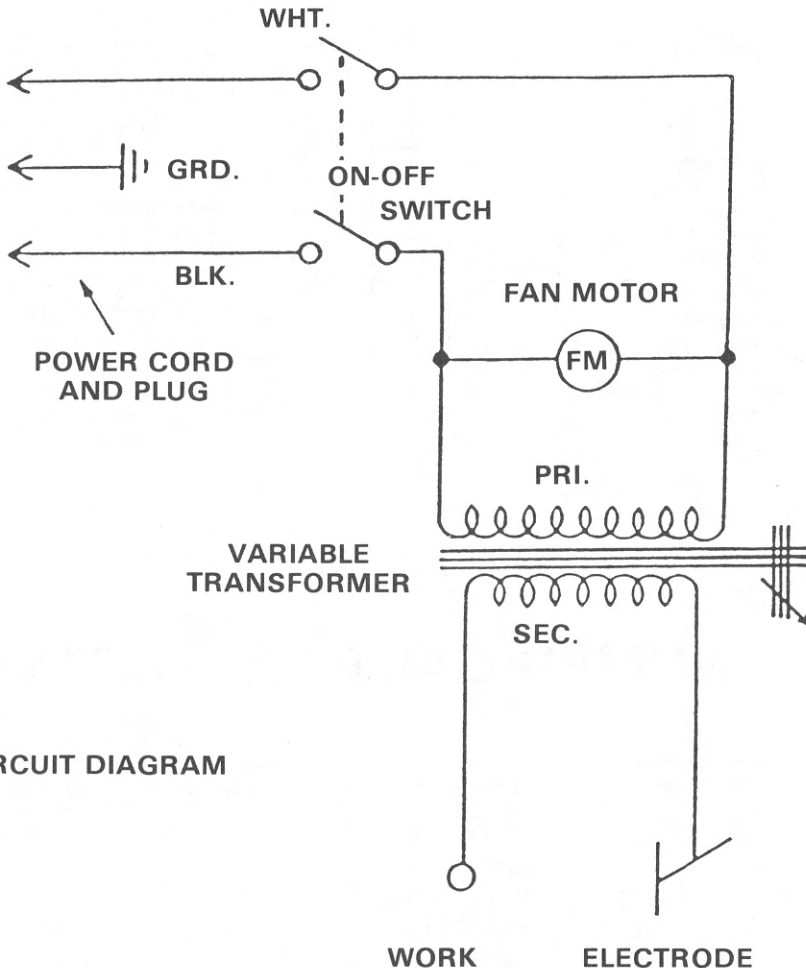
Part No.	Code No.	Part No.	Code No.	Part No.	Code No.
21000365	9	36200018	28	61986218	15
21000370-180	17	36400013	20	66548976	21
21000370-191	17	39900145-191	3	68540705	34
21500014	18	39900146	23	69941015	1
30000005	19	39900150	14	69941122	26
30100101	4	39900151	29	69941284	27
30100102	30	39900159	7	69942999	12
30100108	16	43600028	31	69977213	6
30100109	22	44200010	11	95080909	33
30300033	5	46900003	13	95080916	24
30300036	8	48000008	10	95080944	36
30300037	25	48000010	32	99900007	35
31100035	2	61986217	15		

ORDER BY PART NUMBER, NOT BY CODE NUMBER

WIRING DIAGRAM

Arc Welder Model No. 10-133/83-313

230 VOLTS



CIRCUIT DIAGRAM