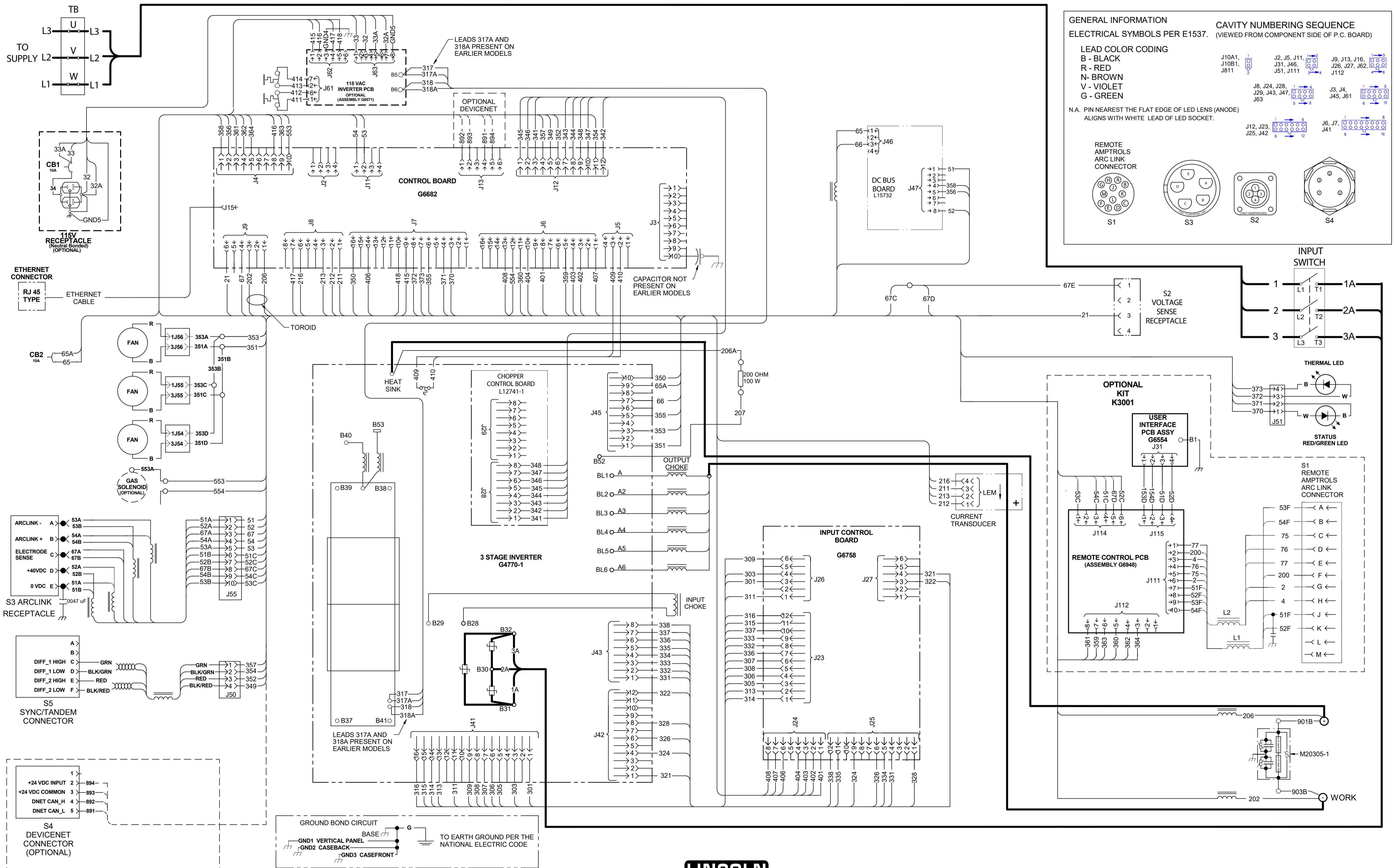


# POWER WAVE S350 WIRING DIAGRAM G6536-2 REV: K



**GENERAL INFORMATION**  
ELECTRICAL SYMBOLS PER E1537.

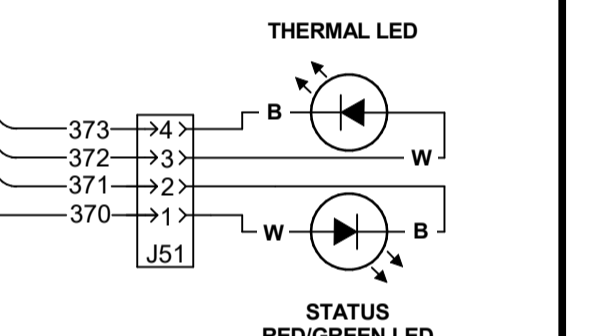
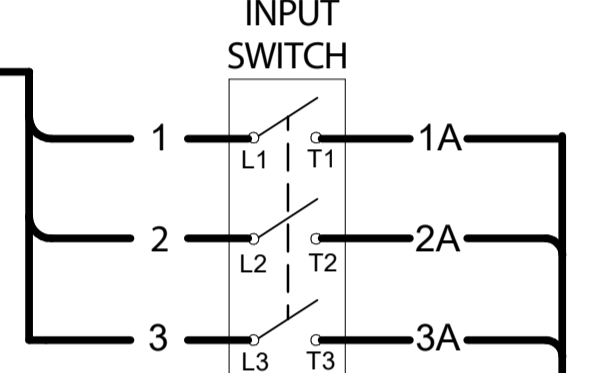
**LEAD COLOR CODING**  
B - BLACK  
R - RED  
N - BROWN  
V - VIOLET  
G - GREEN

**CAVITY NUMBERING SEQUENCE**  
(VIEWED FROM COMPONENT SIDE OF P.C. BOARD)

N.A. PIN NEAREST THE FLAT EDGE OF LED LENS (ANODE)  
ALIGNS WITH WHITE LEAD OF LED SOCKET.

**REMOTE AMP/TROLS ARC LINK CONNECTOR**

S1, S3, S2, S4



**OPTIONAL KIT K3001**

**USER INTERFACE PCB ASSY G6554 J31**

**REMOTE CONTROL PCB (ASSEMBLY G6948)**

J114, J115, J111, J112

S1 REMOTE AMP/TROLS ARC LINK CONNECTOR

L1, L2

53F, 54F, 75, 76, 77, 200, 2, G, 4, 51F, 52F, 53F, 54F

