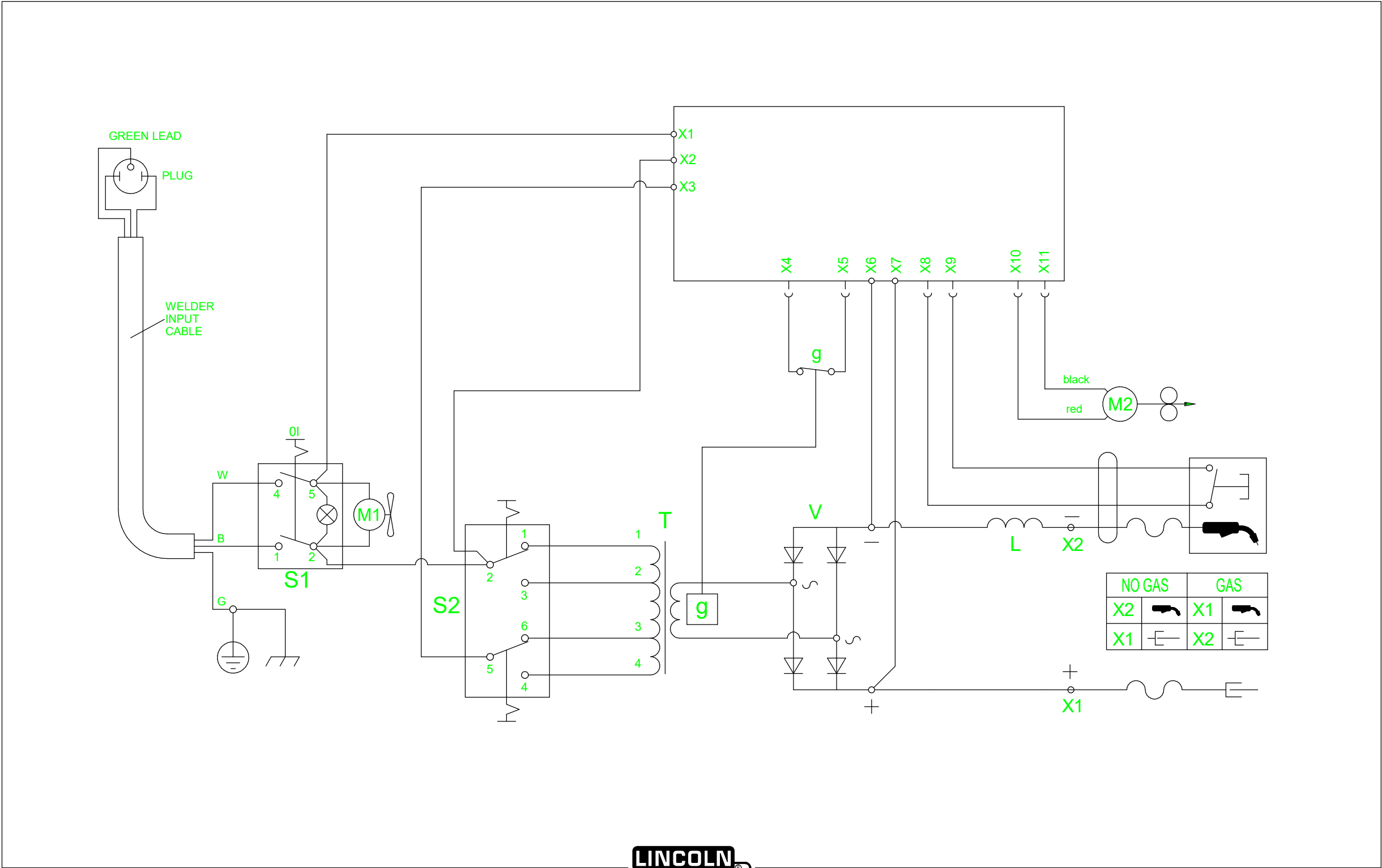


BESTER MIG WELDER WIRING DIAGRAM M20242 REV: A



| NO GAS | GAS |
|--------|-----|
| X2 | X1 |
| X1 | X2 |

