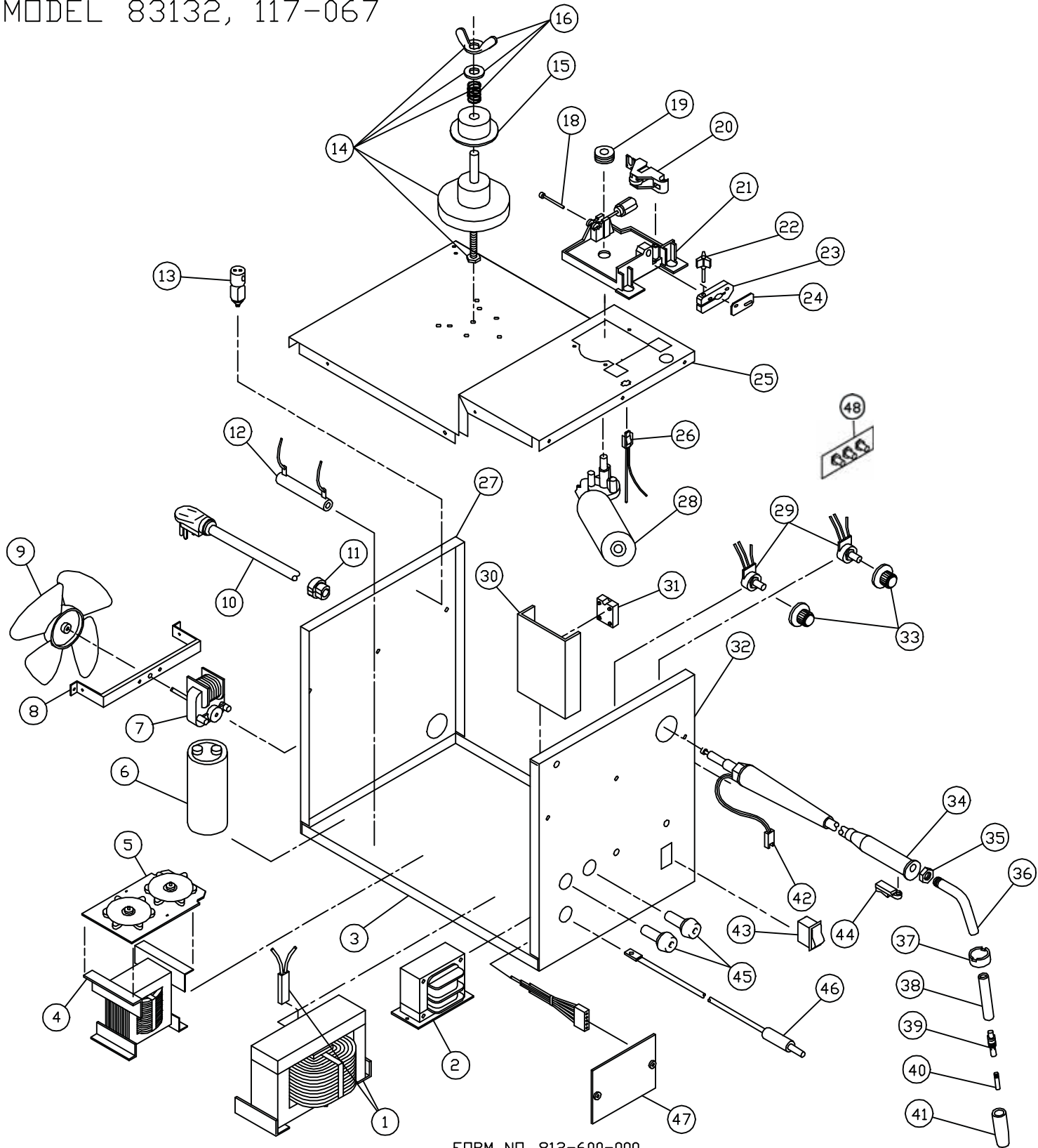


CENTURY 160 WIRE FEED WELDER 117-067-002, 83132,83133, 2160, M02160, WFW160
MODEL 83132, 117-067



117-067, 83132, 83133, 2160, M02160, WFW160 130 Amp Mig

Item	Lincoln Stock #	Customer #	Description
1		880-324-888	Main Transformer w/Thermal
		880-326-000	Thermal breaker only
2		880-041-888	Control Transformer, 230Vac to 24Vdc, 6 amp
3		410-755-000	Base
4		880-323-888	Reactor coil
5		880-327-666	Dual sided rectifier
6		213-041-000	Capacitor, 98,000mf, 40 Vdc
7	216-086-666	216-086-666	Fan Motor
8		411-072-666	Fan bracket
9		316-014-000, 316-009-000	Fan blade
10		248-282-666	Power cord
11		541-019-000	Bushing
12		860-523-666	Bleeder resistor
13	246-086-666	246-212-666	Gas solenoid, 24Vdc
14	312-066-666	312-066-666	Bolt, spindle, spring, washer & wing nut
15	312-110-666	312-110-666	Spool adapter
16	Included in # 14	069-043-666	Spring, washer & wing nut
18		239-208-000	Inlet guide tube
19	310-122-500	4323	0.024/0.030/0.035 drive roller
		4347, 310-154-000	0.045 serrated drive roller
20		312-107-000	Tension arm only
21	880-130-666	880-130-666	Drive base w/ arm
22		246-326-000	Knob
23	412-465-666	412-465-666	Gun connector block
24		412-464-666	Copper jumper
25		410-699-010	Drive deck
26		880-227-666	Gun wiring harness
27		410-757-010	Back panel

Item	Lincoln Stock #	Customer #	Description
28	216-089-666	216-089-666	Drive Motor w/gearbox
29		246-120-000	Potentiometer, 5K
30		412-134-100	Heatsink
31	216-055-666	216-055-666	Triac Relay, 40 amp, D2440
32		410-807-070	Front panel
33		246-140-666	Knob
34	238-155-000	4320	10' mig gun less tip & nozzle
35		334-220-000	Nut
36	334-227-000	334-227-000	Gooseneck
37		334-219-000	Handle cap
38	Included with #36	334-217-000	Insulation
39	334-228-000	334-228-000	Gas diffuser
40	KP11-23, KH710	43090, 334-203-300, KP2039-1B1, M15522	0.024 Contact Tips
	KP11-30, KH711	43100, 334-160-300, KP2039-2B1, M15523	0.030 Contact Tips
	KP11-35, KH712	43110, 334-161-300, KP2039-3B1, M15524	0.035 Contact Tips
41	KP21T-50	43480, 334-203-300, KP1942-1, M15578	Standard Nozzle
	KP21-62-FAS	43290, 334-211-300, KP1956-1, M15577	Spot Nozzle, Notched
42		860-744-000	Trigger harness
43		246-325-666	Switch
44	334-221-000	334-221-000	Trigger
45	312-045-666	312-045-666	Receptacle
46		238-320-666	Polarity jumper
47	880-113-666	880-113-666	Circuit board
48	880-114-666	880-114-666	Spot Stitch PCB (WFW160 Only)

Not Shown

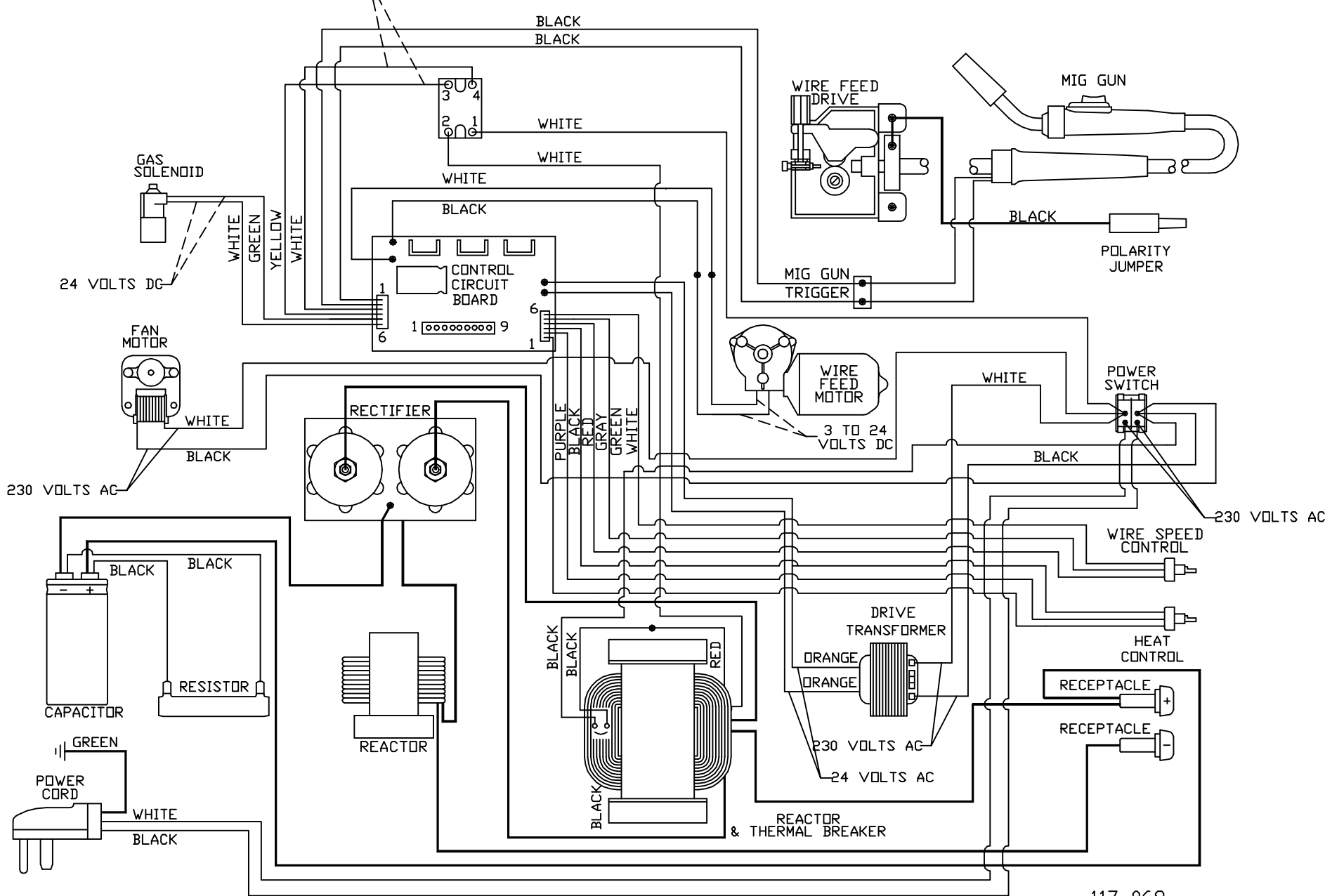
49	334-303-001	334-286-666	Gas regulator
50	059-245-666		Gas hose
51	KH600	47330, 332-337-300	Welding helmet

117/2007

Model	Primary Input	Input Plug	Duty Cycle at Rated Output
117-067	230V, 20a	50A	30%

Rated Output	Voltage Settings	Agency Listing	Max Output
130 amps	Infinite	CSA	160 amps

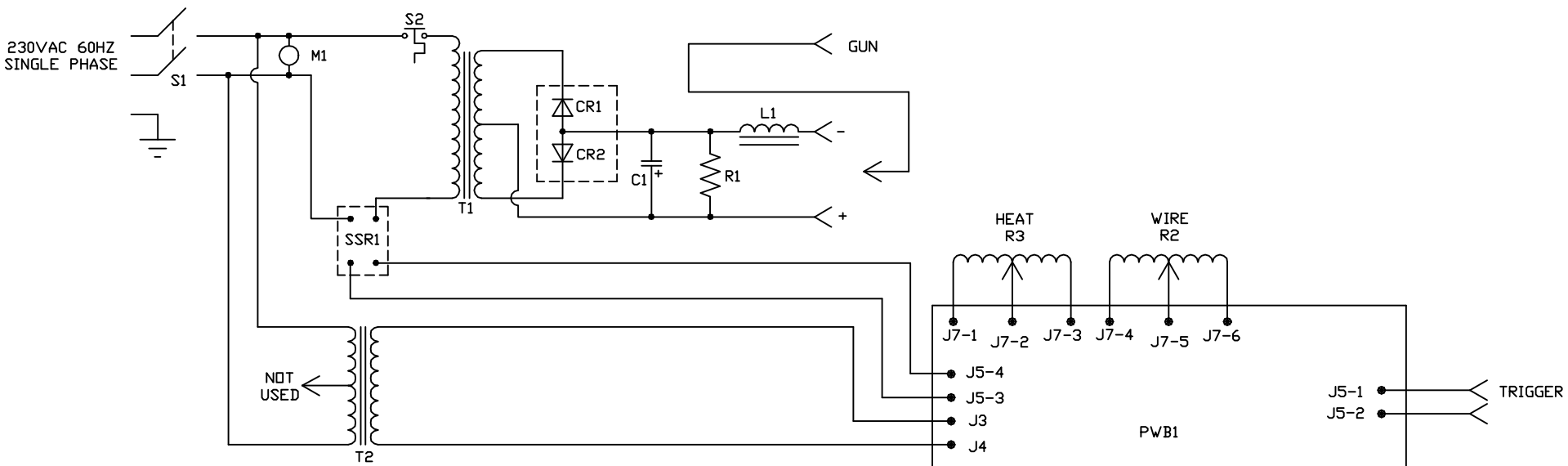
3 TO 10 VOLTS DC



NOTES:

- - - - -: VOLTAGES ARE PRESENT ONLY WHEN TRIGGER IS PULLED.
- + —: VOLTAGES ARE PRESENT WHEN MAIN POWER IS ON.

117-069
 117-067
 MODELS



SYM	DESCRIPTION
C1	CAPACITOR 98,000 MFD 40V
CR1,CR2	RECTIFIER ASSEMBLY
K1	GAS SOLENOID N.C.
L1	REACTOR 130 AMP
M1	FAN MOTOR 240V
M2	WIRE FEED DRIVE MOTOR
PWB1	CONTROL CIRCUIT BOARD
R1	RESISTOR 25 OHM 50W
R2	POTENTIOMETER WIRE SPEED
R3	POTENTIOMETER HEAT CONTROL
S1	POWER SWITCH
S2	THERMAL BREAKER
SSR1	SOLID STATE RELAY 40A
T1	MAIN TRANSFORMER
T2	CONTROL TRANSFORMER

117-069	A
117-067	
MODELS	

117-067-002, 83132,83133, 2160, M02160, WFW160