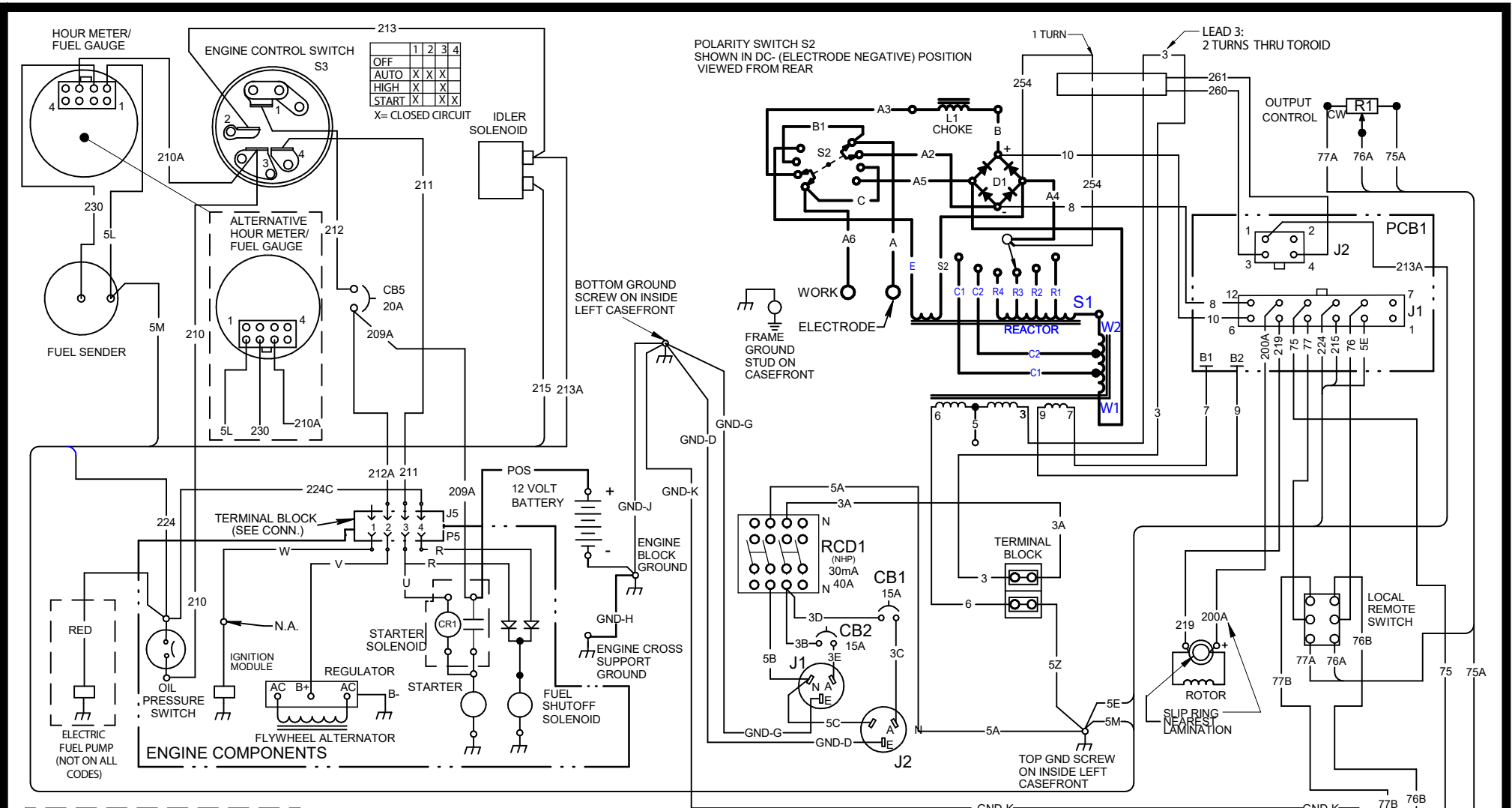


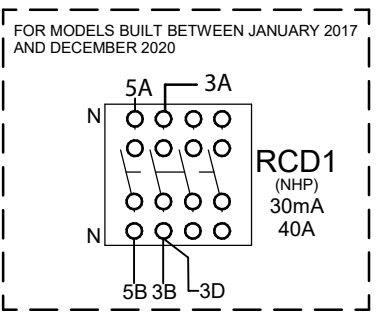
RANGER 250 WIRING DIAGRAM M22491 REV: E



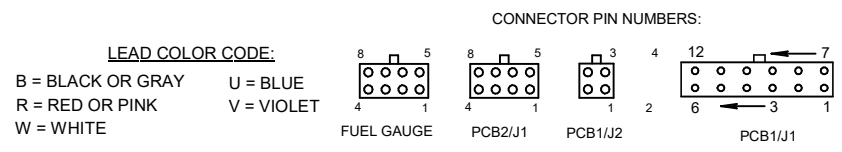
	1	2	3	4
OFF	X	X	X	X
AUTO	X	X	X	X
HIGH	X	X	X	X
START	X	X	X	X

X = CLOSED CIRCUIT

POLARITY SWITCH S2
SHOWN IN DC- (ELECTRODE NEGATIVE) POSITION
VIEWED FROM REAR



N.A. GROUNDING THIS TERMINAL STOPS THE ENGINE.



ALL CASE FRONT COMPONENTS SHOWN VIEWED FROM REAR.



CLEVELAND, OHIO U.S.A.

