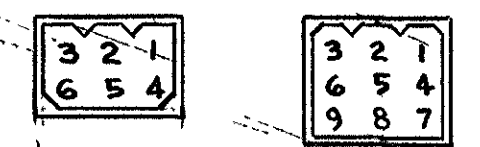


ELECTRICAL SYMBOLS PER E-1537
 CAPACITORS = MFD/VOLTS
 RESISTORS = OHMS/1/2 WATT (UNLESS OTHERWISE SPECIFIED)
 DIODES = 1 AMP/400 VOLT (UNLESS OTHERWISE SPECIFIED)
 OP AMPS = 1 M 124 (UNLESS OTHERWISE SPECIFIED)
 ∇ = COMMON CONNECTION
 ○-THRU-M = TEST POINTS



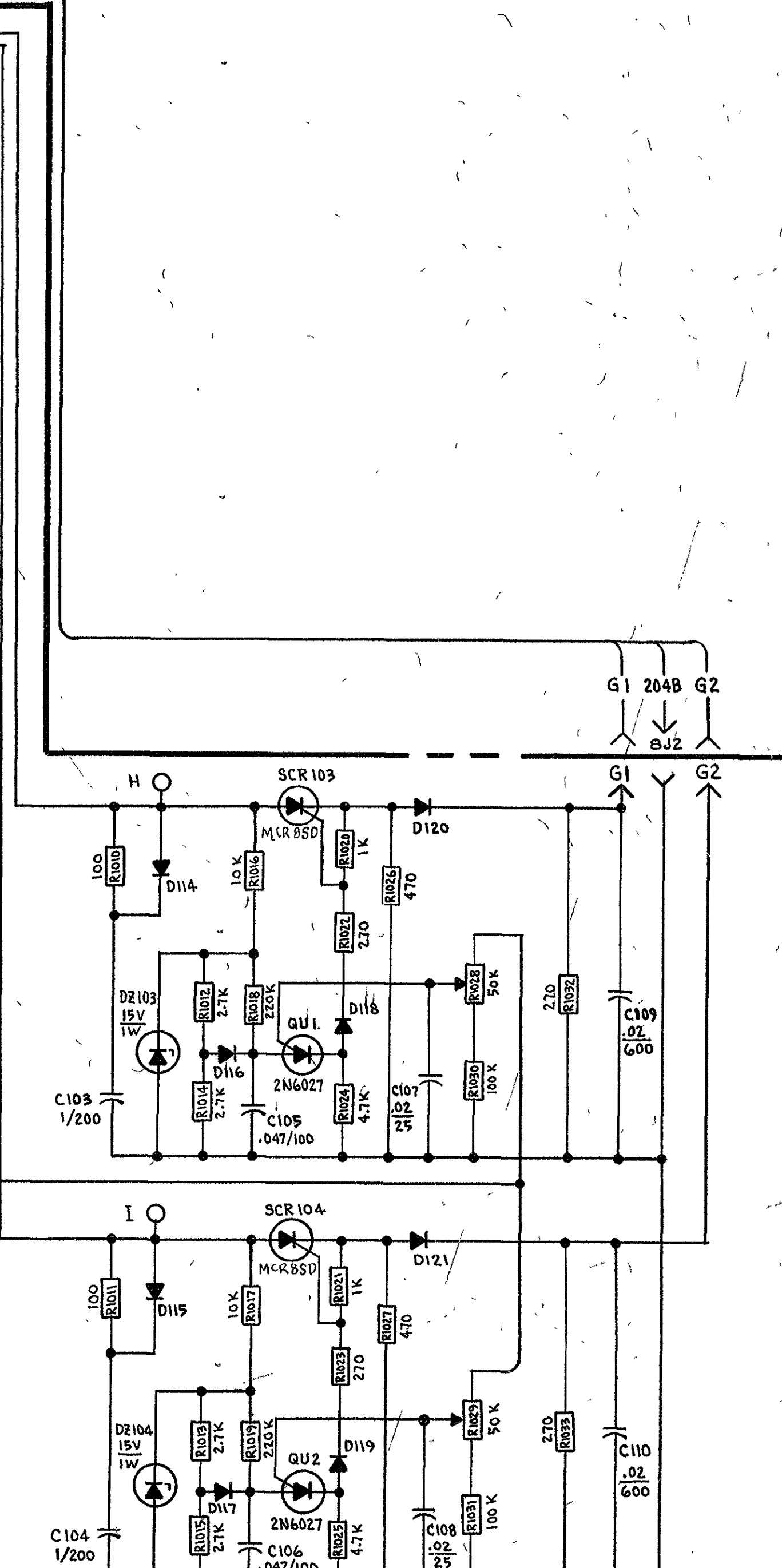
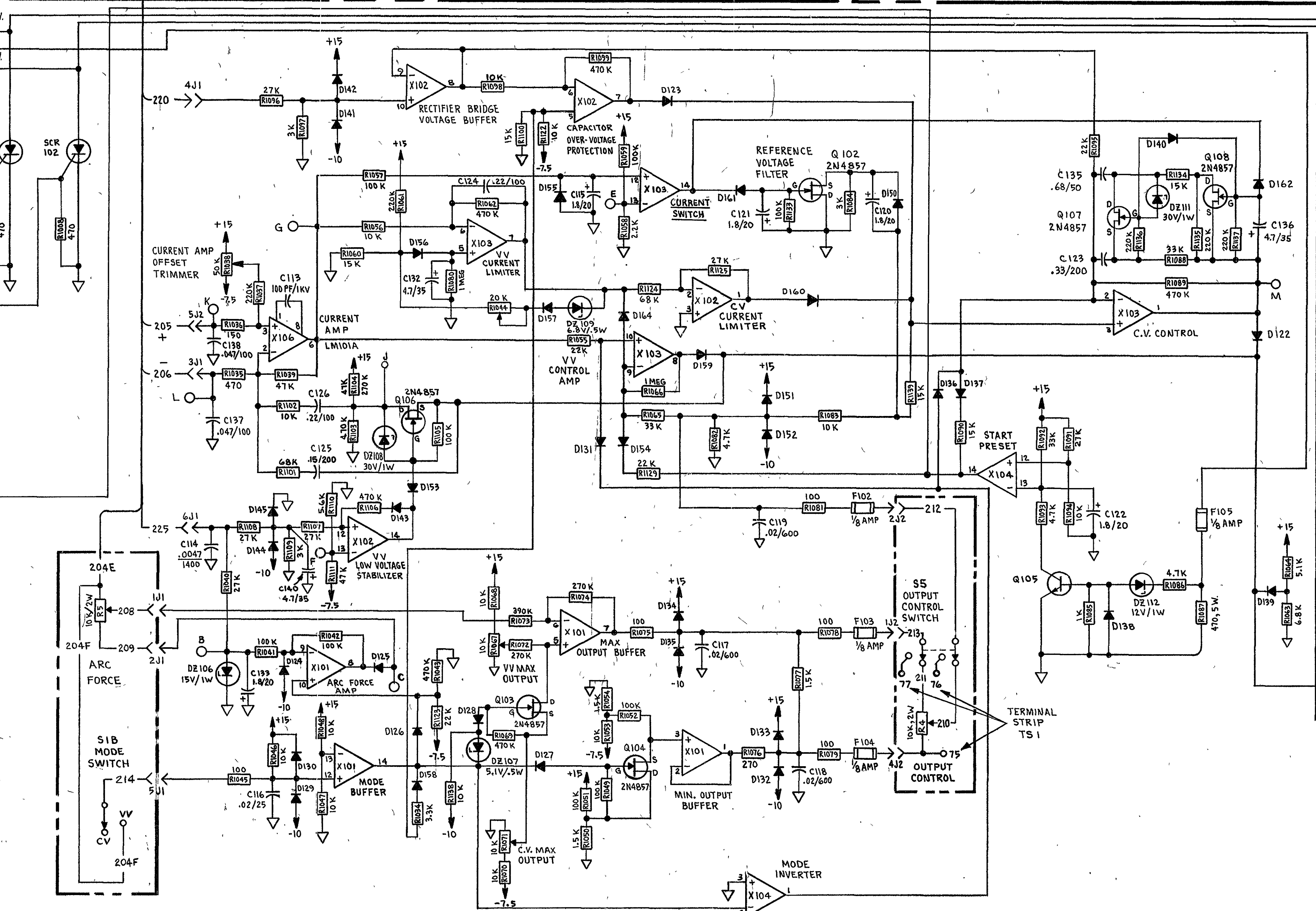
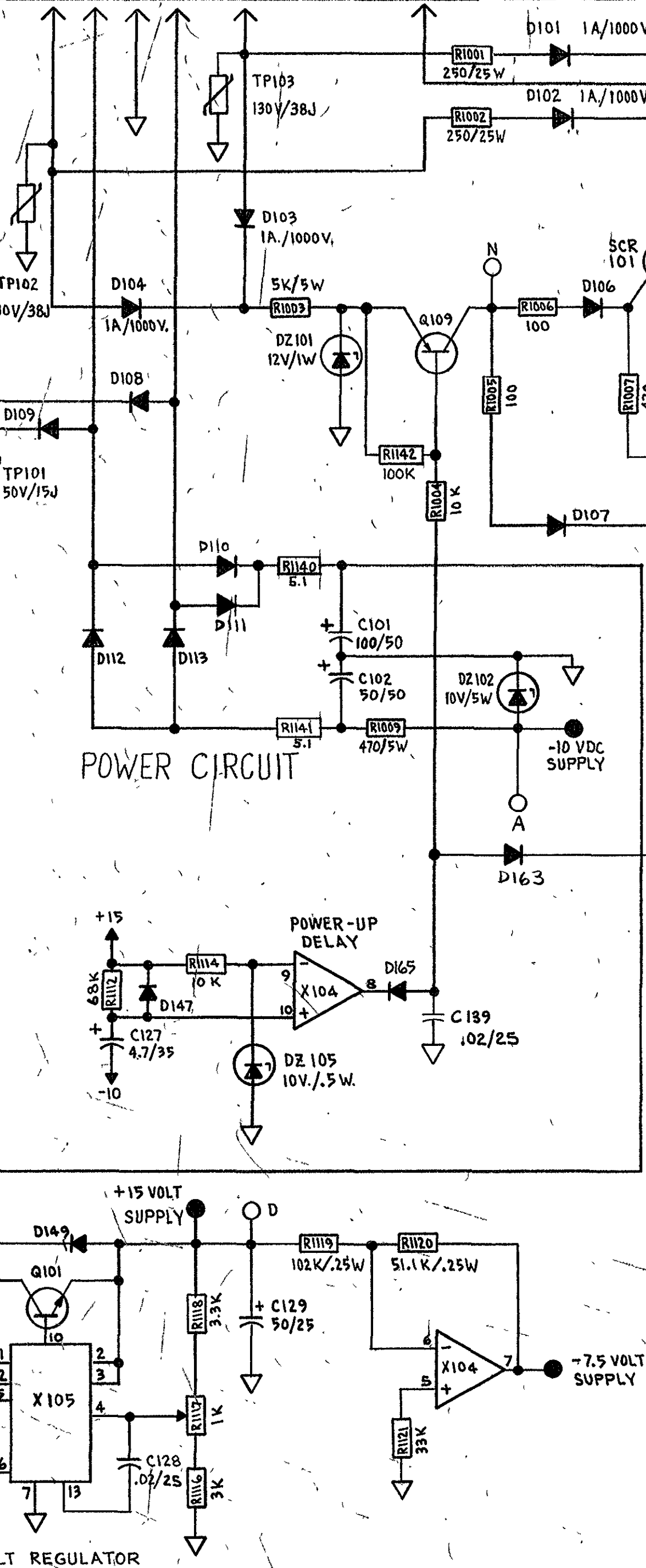
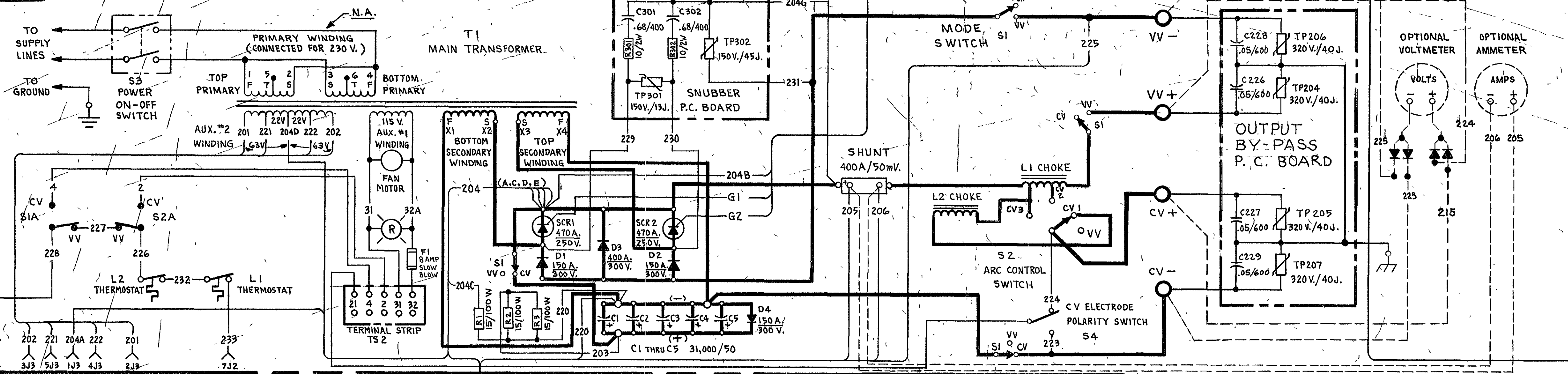
CONNECTORS J1 & J3 CONNECTOR J2
 AS VIEWED FROM COMPONENT SIDE OF BOARD

NOTES

N.A. CONNECTIONS SHOWN ARE FOR 230 VOLT INPUT. SEE WIRING DIAGRAM AND CONNECTION DIAGRAM FOR ALL OTHER VOLTAGES.

N.B. VOLTMETER AND AMMETER ARE OPTIONAL EQUIPMENT.

N.C. SINCE COMPONENTS OR CIRCUITRY ON A PRINTED CIRCUIT BOARD MAY CHANGE WITHOUT AFFECTING THE INTERCHANGEABILITY OF A COMPLETE BOARD, THIS DIAGRAM MAY NOT SHOW THE EXACT COMPONENTS OR CIRCUITRY OF CONTROLS HAVING A COMMON CODE NUMBER.



LAST NUMBER USED ON CONTROL BOARD
 C140, Q109, X106, F106
 D165, Q102, R1142
 DZ112, SCR104, TP103

CONTROL P.C. BOARD

FIRING CIRCUIT