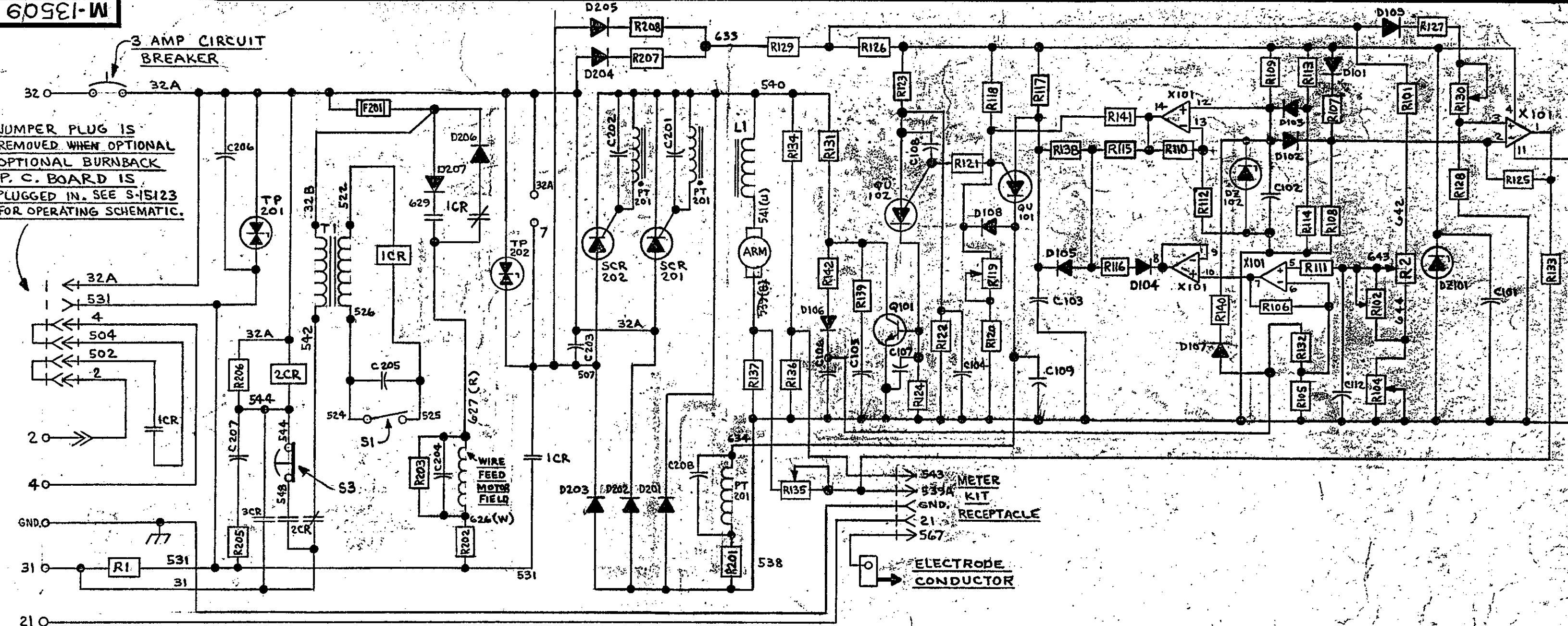


3 AMP CIRCUIT BREAKER

JUMPER PLUG IS REMOVED WHEN OPTIONAL OPTIONAL BURNBACK P. C. BOARD IS PLUGGED IN. SEE S-15123 FOR OPERATING SCHEMATIC.



CONTROL CIRCUIT

C101 .02 MFD	R101 15KΩ	R124 10KΩ
C102 18 MFD	R102 100KΩ TRIMMER	R125 270KΩ
C103 .15 MFD	R104 1KΩ TRIMMER	R126 5.1Ω
C104 .02 MFD	R105 6.8KΩ	R127 33KΩ
C105 .33 MFD	R106 47KΩ	R128 33KΩ
C106 6 MFD	R107 10KΩ	R129 2.5KΩ 10W.
C107 .02 MFD	R108 10KΩ	R130 10KΩ TRIMMER
C108 .02 MFD	R109 270KΩ	R131 2.2KΩ 2W.
C109 .02 MFD	R110 33KΩ	R132 160KΩ
	R111 10KΩ	R133 6.8KΩ
C112 .02 MFD	R112 10KΩ	R134 10KΩ, 4W.
	R113 15KΩ	R135 2KΩ TRIMMER
D101	R114 1KΩ	R136 560Ω
D102	R115 47KΩ	R137 .25Ω 7W.
D103	R116 10KΩ	R138 33KΩ
D104 1AMP	R117 68KΩ	R139 100Ω
D105	R118 39KΩ	R140 470KΩ
D106	R119 10KΩ TRIMMER	R141 220KΩ
D107	R120 22KΩ	R142 10Ω
D108	R121 1KΩ	QU101 2N6027
D109	R122 2.2KΩ	QU102 2N6027
DZ101 15V.	R123 3.9KΩ	
DZ102 6.8V.		
	X101 OP-AMP	

RELAY CIRCUIT

C201 .047 MFD	R201 15Ω
C202 .047 MFD	R202 56Ω 15W.
C203 .02 MFD	R203 100KΩ 1/4W.
C204 50 MFD	R205 10KΩ 1/4W.
C205 .33 MFD	R206 10KΩ 2W.
C206 .02 MFD	R207 47.5Ω 1/4W.
C207 .15 MFD	R208 47.5Ω 1/4W.
C208 .02 MFD	
D201 20 AMP	SCR 201 8 A. 400 V.
D202 20 AMP	SCR 202 8 A. 400 V.
D203 20 AMP	
D204 1 AMP	TP 201 TRANSIENT PROTECTION
D205 1 AMP	TP 202 TRANSIENT PROTECTION
D206 1 AMP	PT 201 1:1:1 PULSE TRANSFORMER
D207 1 AMP	ICR 3-P.D.T. 24V.A.C.
F201 1/2 AMP SLOW BLOW FUSE	

COMPONENTS NOT ON P.C. BOARDS

- L1 9.5 MH
- R1 2Ω 25 W.
- R2 5KΩ POT.
- S1 S.P.S.T GUN SWITCH
- S3 S.P.S.T. GROUND LEAD PROTECTOR SWITCH
- T1 115-24 V. TRANSFORMER
- 2CR GROUND LEAD PROTECTOR RELAY
- 3CR REED SWITCH (ACTUATED BY GROUND CURRENT)

LEAD COLOR CODING

- B = BLACK
- R = RED
- U = BLUE
- W = WHITE

A.N.S.I. ELECTRICAL SYMBOLS PER E-1537

SINCE COMPONENTS OR CIRCUITRY ON A PRINTED CIRCUIT BOARD MAY CHANGE WITHOUT AFFECTING THE INTERCHANGEABILITY OF A COMPLETE BOARD, THIS DIAGRAM MAY NOT SHOW THE EXACT COMPONENTS OR CIRCUITRY OF CONTROLS HAVING A COMMON CODE NUMBER.

UNLESS OTHERWISE SPECIFIED TOLERANCE ON HOLE SIZES PER E-2056	Ch'ge. Sht. No.	2-1-80K	7-23-82
ON 2 PLACE DECIMALS IS ± .02	12-9-77	7-18-80E	8-31-90D
ON 3 PLACE DECIMALS IS ± .002	4-7-78G	11-14-80H	
ON ALL ANGLES IS ± 5 OF A DEGREE	5-5-78H	5-29-81F	
MATERIAL TOLERANCE ("Y") TO AGREE WITH PUBLISHED STANDARDS.	9-29-78C	9-4-81K	
	6-15-79G	12-11-81G	

THE LINCOLN ELECTRIC CO. EQUIP. TYPE LN-7
 CLEVELAND, OHIO U. S. A. SUBJECT OPERATING SCHEMATIC
 SCALE 2/1 DATE 2-17-77 DR. TJP SUP'D/G (M-13072) SHT. NO. M-13509

AUSTRALIA CANADA FRANCE AMRICO