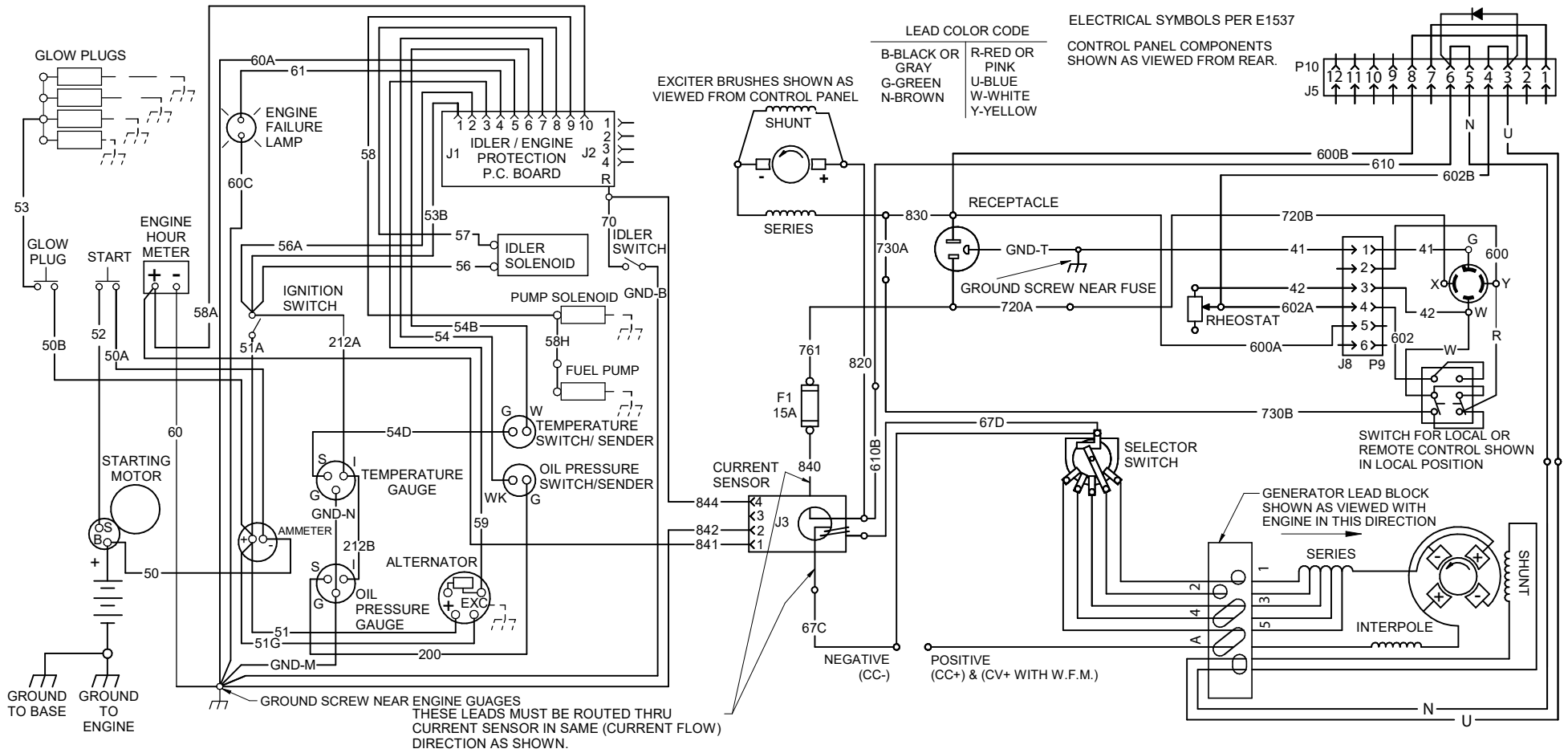
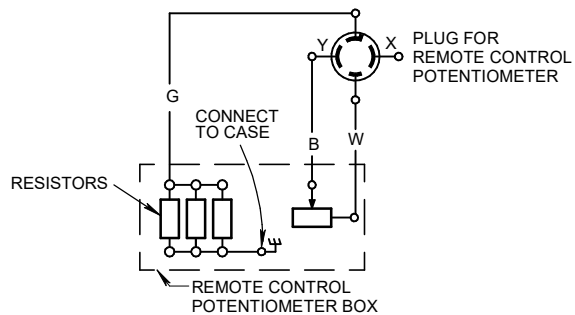


PIPELINER WIRING DIAGRAM M20056 REV: B

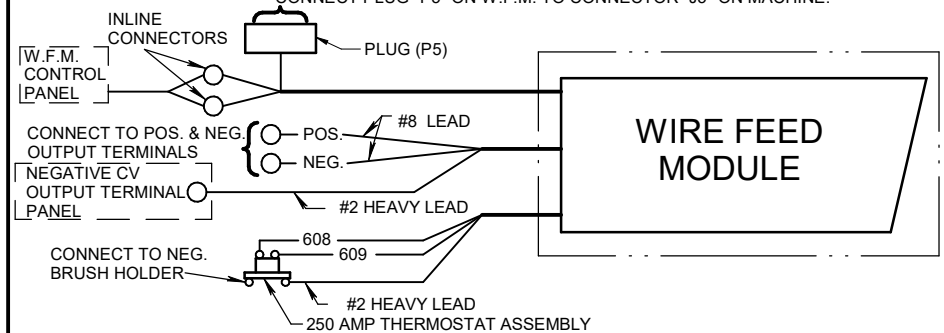


K924-5 REMOTE CONTROL (OPTIONAL)



WIRE FEED MODULE (OPTIONAL)

ON MACHINE, REMOVE PLUG "P10 FROM CONNECTOR "J5".
CONNECT PLUG "P5" ON W.F.M. TO CONNECTOR "J5" ON MACHINE.



* MACHINE MUST NOT BE RUNNING WHEN MAKING THESE CONNECTIONS.

LINCOLN
ELECTRIC

TORONTO, ONTARIO, CANADA