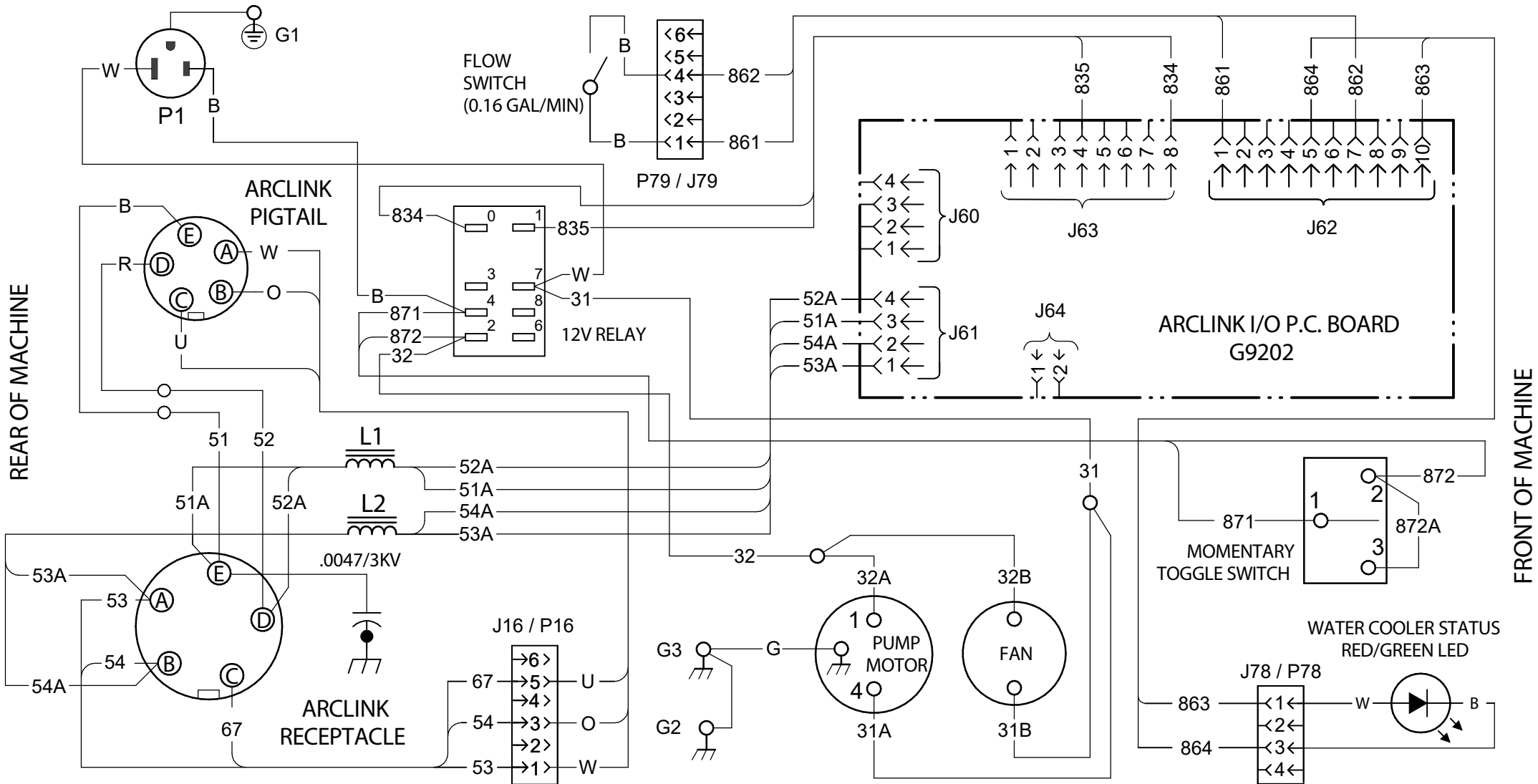


COOL ARC 55 S WIRING DIAGRAM M22842-2 REV: A



NOTES:

N.A. SINCE COMPONENTS OR CIRCUITRY OF A PRINTED CIRCUIT BOARD MAY CHANGE WITHOUT AFFECTING THE INTERCHANGEABILITY OF A COMPLETE BOARD, THIS DIAGRAM MAY NOT SHOW THE EXACT COMPONENTS OR CIRCUITRY HAVING A COMMON CODE NUMBER.

N.B. FLAT SIDE OF LED ALIGNED WITH WHITE LEAD.

COLOR CODE:

- B = BLACK
- G = GREEN
- R = RED
- W = WHITE
- U = BLUE
- N = BROWN
- Y = YELLOW
- O = ORANGE

LEGEND

- ALL MACHINES
- - - OPTION
- COMPONENT OUTLINE



CLEVELAND, OHIO U.S.A.