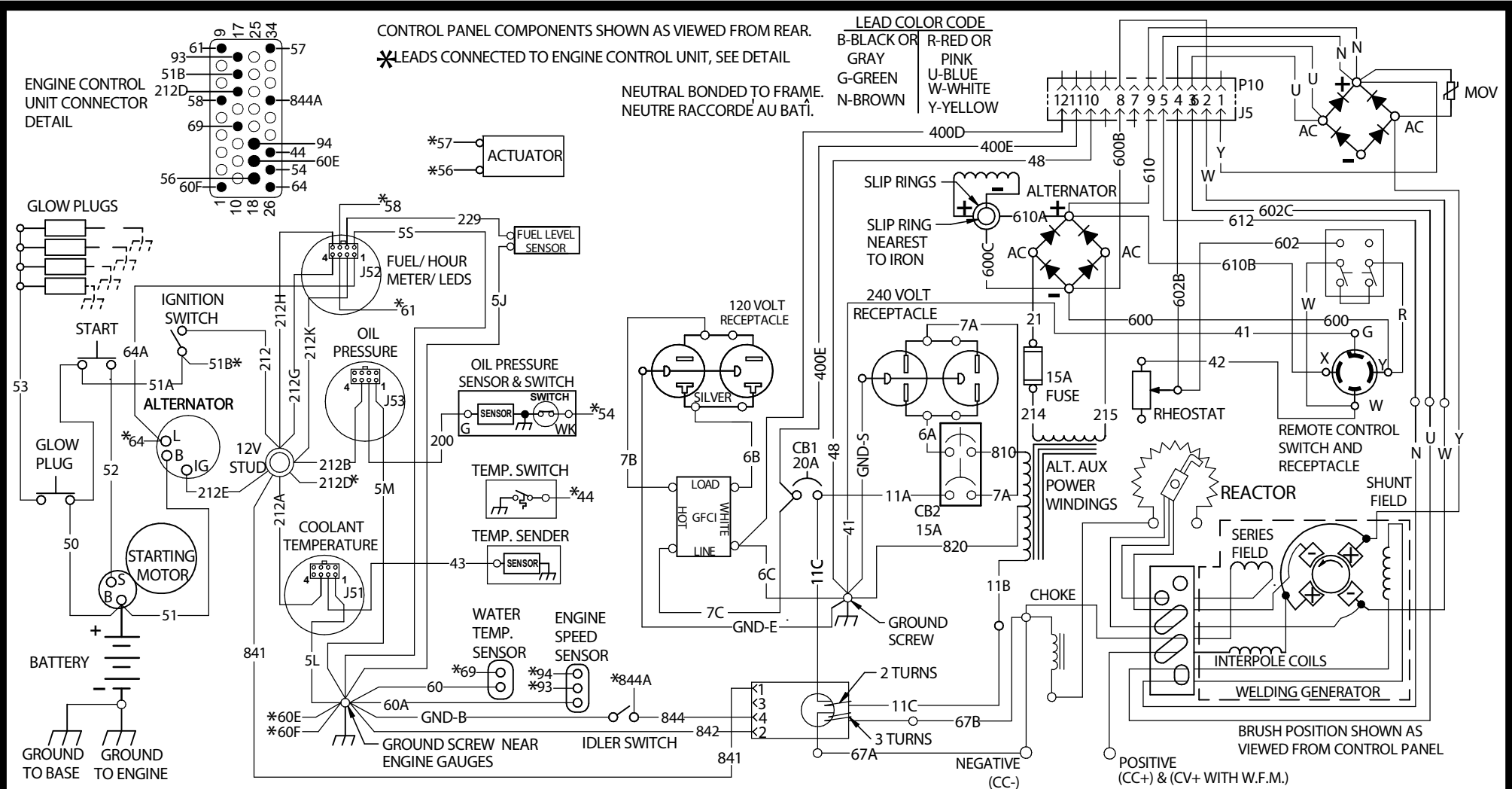
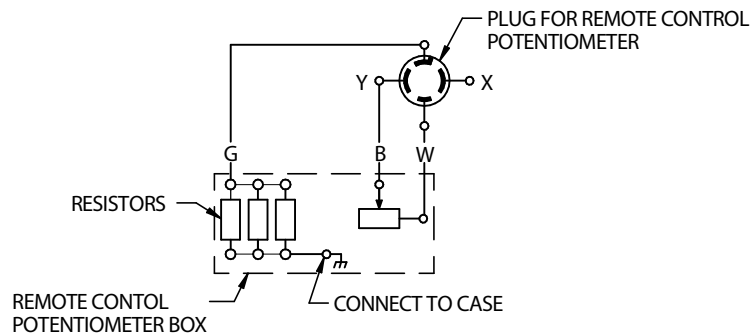


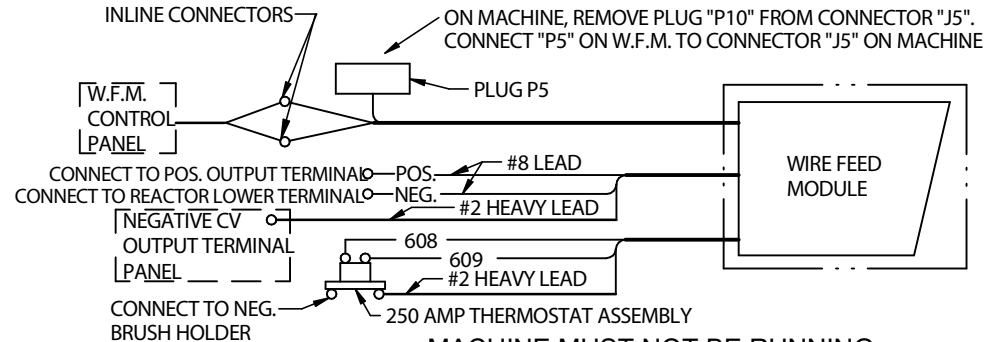
SAE 300 WIRING DIAGRAM M24750 REV: A



REMOTE CONTROL (OPTIONAL)



WIRE FEED MODULE (OPTIONAL)



MACHINE MUST NOT BE RUNNING WHEN MAKING THESE CONNECTIONS. 12/21