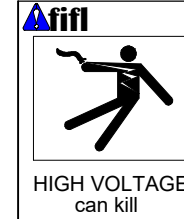
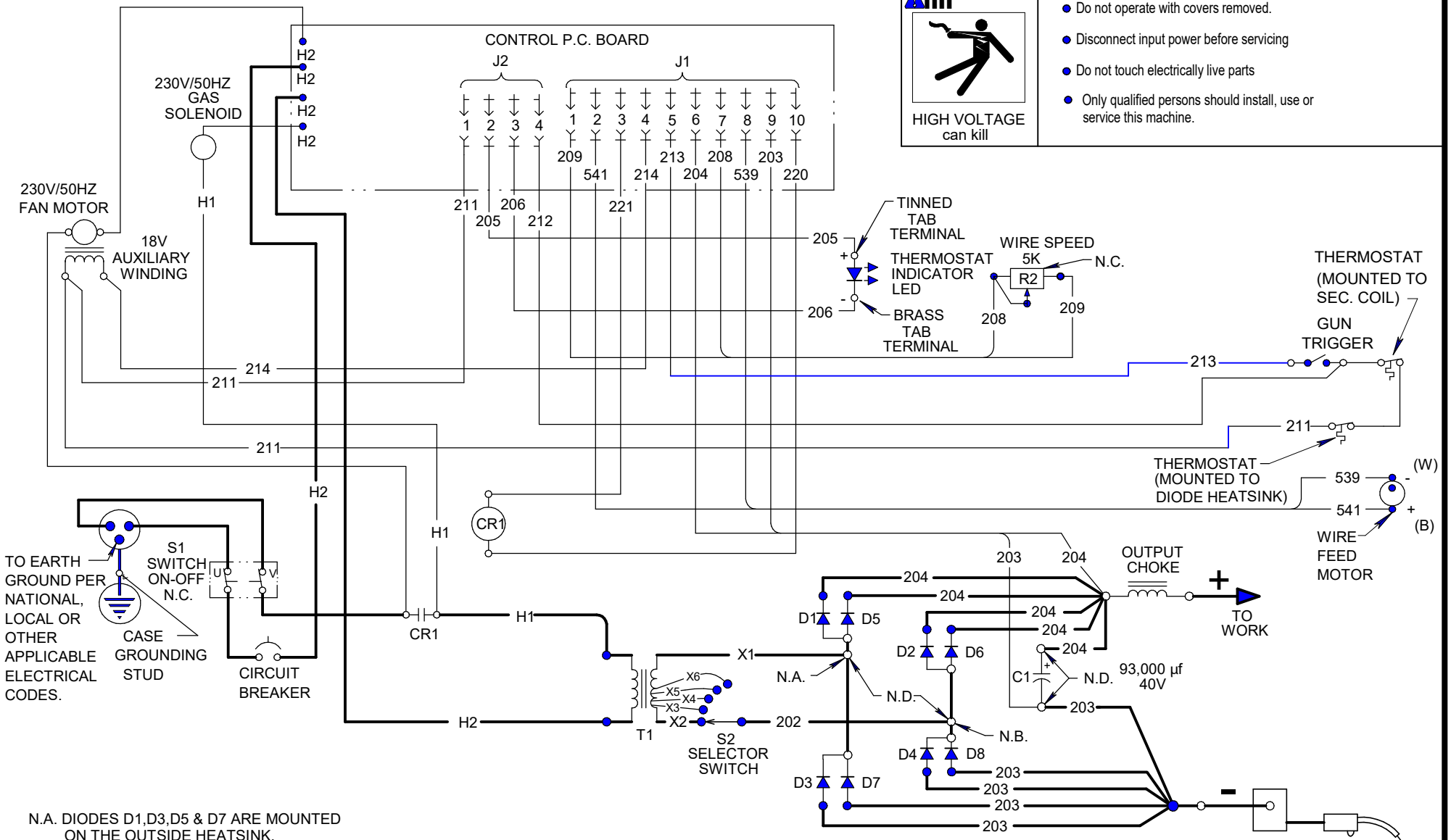


SP-170T-I WIRING DIAGRAM M20142 REV: A



- Do not operate with covers removed.
- Disconnect input power before servicing
- Do not touch electrically live parts
- Only qualified persons should install, use or service this machine.



TO EARTH GROUND PER NATIONAL, LOCAL OR OTHER APPLICABLE ELECTRICAL CODES.

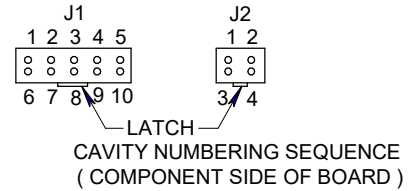
S1 SWITCH ON-OFF N.C.

CASE GROUNDING STUD

CIRCUIT BREAKER

- N.A. DIODES D1, D3, D5 & D7 ARE MOUNTED ON THE OUTSIDE HEATSINK.
- N.B. DIODES D2, D4, D6 & D8 ARE MOUNTED ON THE INSIDE HEATSINK, WHICH IS CLOSEST TO THE CENTER PANEL.
- N.C. COMPONENT VIEWED FROM REAR.
- N.D. BOLTED ALUMINUM CONNECTIONS REQUIRE T12837 JOINT COMPOUND (DOW CORNING 340) WHEN REATTACHING.

LEAD COLOR CODE:
B-BLACK
W-WHITE



CLEVELAND, OHIO U.S.A.