

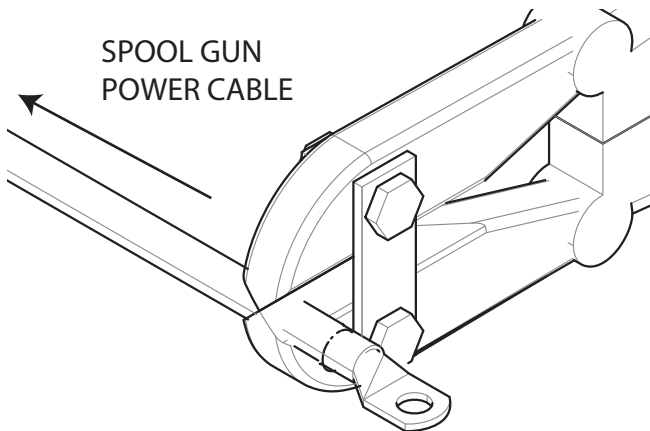
# K3673-50 50FT EXTENSION INSTALLATION GUIDE

**⚠ WARNING**

- Do not touch electrically live parts such as output terminals or internal wiring.
- Ensure cables are disconnected.
- Wear appropriate PPE.

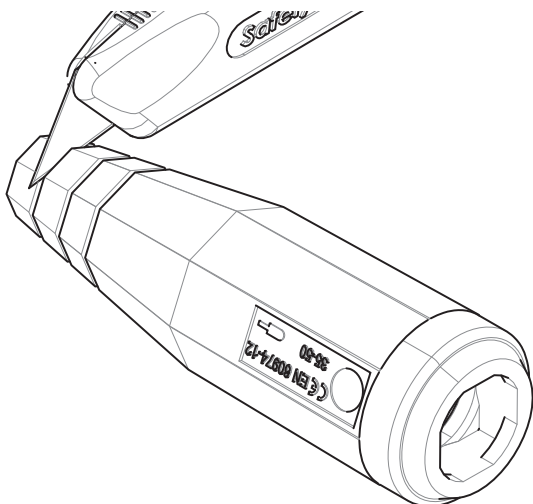
**Step 1:** Slide the 3' cover that is over the power cable back to make sure it is out of the way. Locate the heat shrink tubing covering the Spool gun power lug, and remove it. Cut the power cable directly behind the power lug, and discard the lug.

**FIGURE 1**



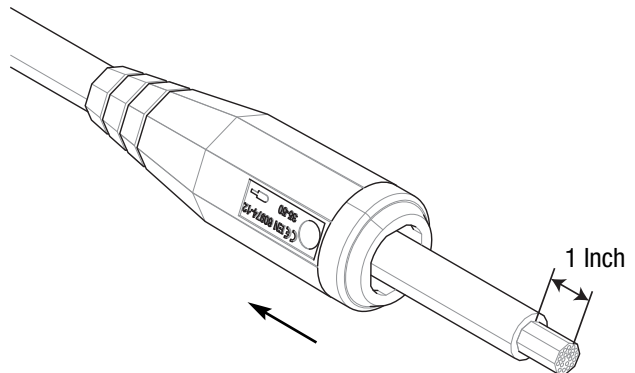
**Step 2:** Locate the rubber Dinse strain relief provided with the 50' extension, and cut off the tapered end at the third line.

**FIGURE 2**



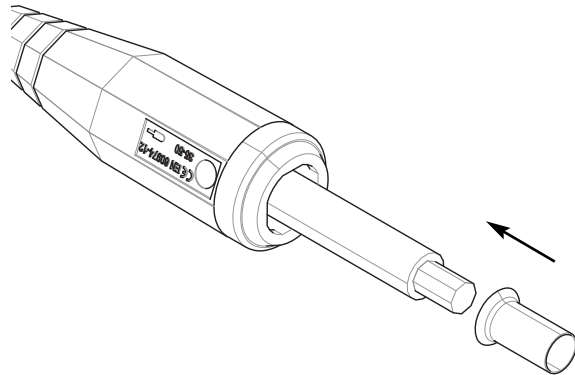
**Step 3:** Slide the rubber Dinse strain relief onto the Spool gun power cable. Strip 1" of rubber jacket off the end of the Spool gun power cable.

**FIGURE 3**



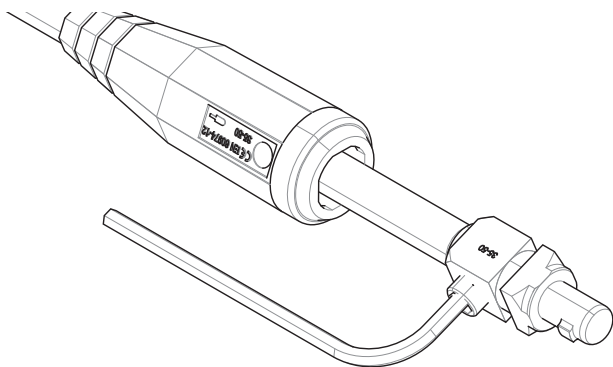
**Step 4:** Slide the metal Dinse sleeve over the cable's copper as shown.

**FIGURE 4**



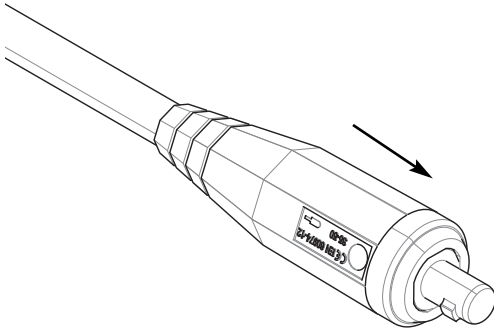
**Step 5:** Slide the brass male Dinse connector over the metal Dinse sleeve, and tighten the set-screw securely with a 5mm Allen wrench.

**FIGURE 5**



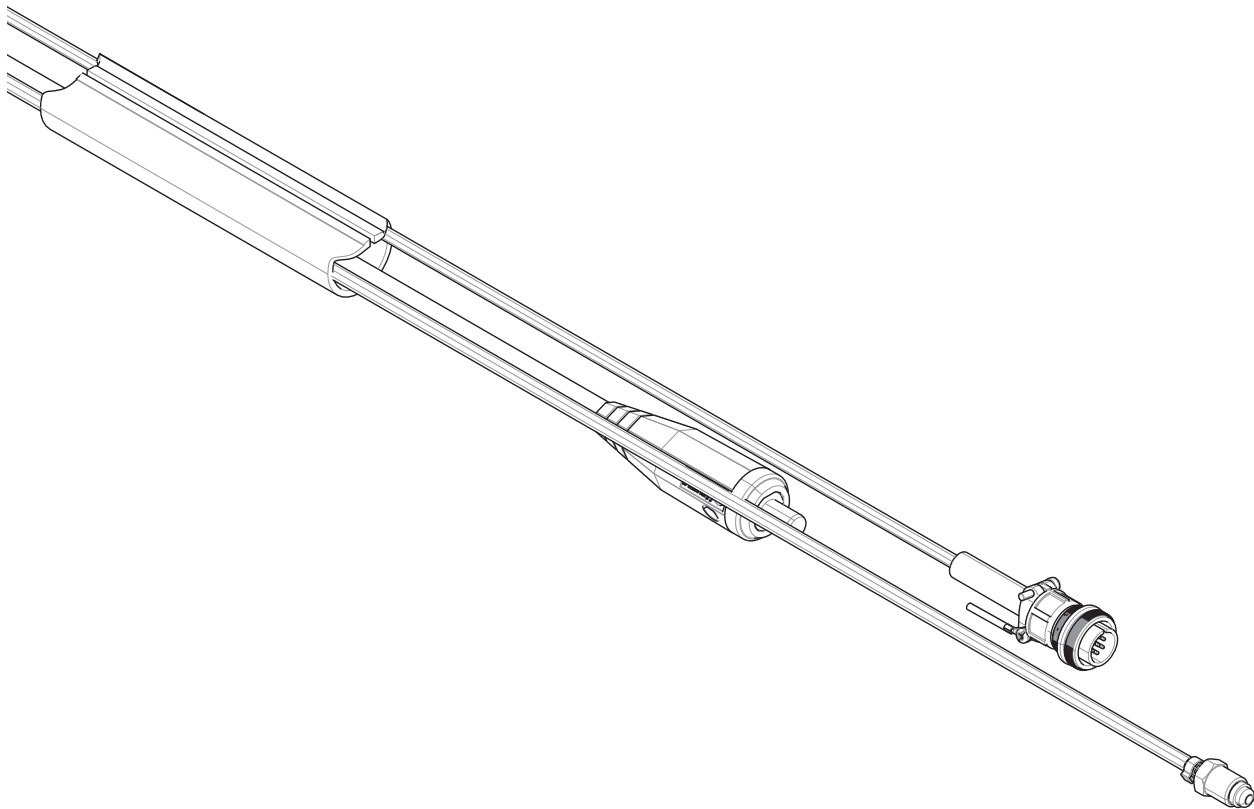
**Step 6:** Slide the rubber Dinse strain relief over the brass Dinse connector until it snaps into position.

**FIGURE 6**



**Step 7:** Pull back the sheath of the 50ft extension to find the staggered connections for the power cable, control cable, and gas line (will be further back from the other connections). Attach the gas line, control cable and power cable of the Spool gun to the 50' extension. Stretch out the 50' extension and pull all the components toward the rear to remove any slack. Note: It may be necessary to open the extension cable cover every 10 feet or so to pull the components.

**FIGURE 7**



**Step 8:** Position the wire tie of the 50' extensions leather cover beside the previously installed rubber strain relief of the male Dinse connector. Secure the zip tie around the power cable just behind the rubber strain relief. This step ensures that the leather cable cover of the 50' extension overlaps the Spool gun cover and the 50' extension cover will not pull rearward during operation.

**Step 9:** Secure the leather cover closed and connect the 50' extension to the welding power source.