

LF 52D

Spare Parts.....	1
Figure A: Machine Assembly	2
Figure B: Partition Assembly	3
Figure C: Wire Drive Assembly	4
Figure D: Front Assembly.....	5
Figure E: Back Panel.....	6
Miscellaneous Items (not shown in figure A, B, C, D, E).....	6
Electrical Schematic.....	7
CODE: 50579	7



Spare Parts

SP5579 REV02
03/2024

ASSEMBLY PAGE NAME			Machine Assembly	Partition Assembly	Wire Drive Assembly	Front Assembly	Back Panel	Miscellaneous Items
CODE NO.:	K NO.:	FIGURE NO.:	A	B	C	D	G	
50579	K14335-1	LF 52D	1	1	1	1	1	1

*items highlighted in bold are recommended spare parts

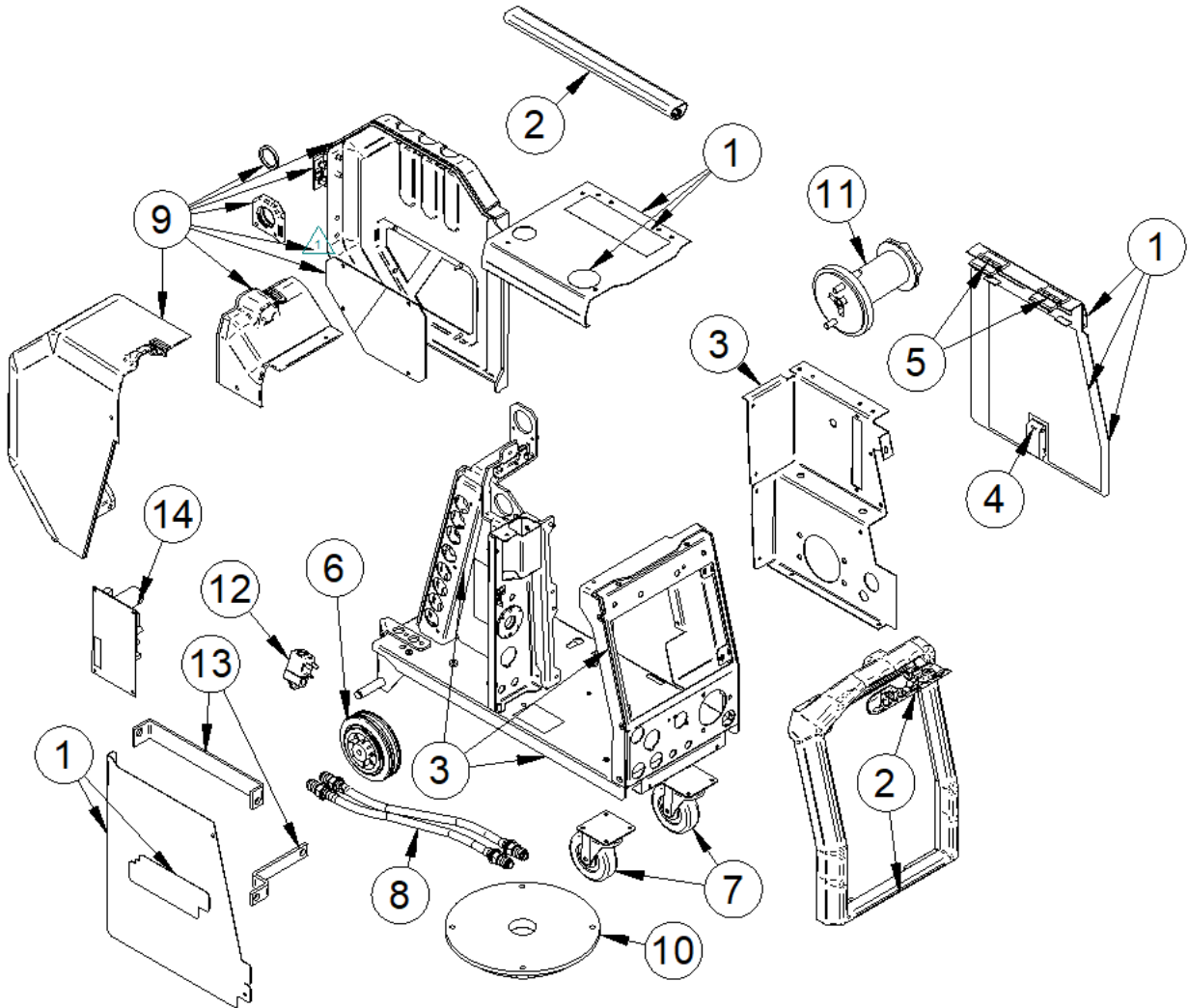


Figure A

Figure A: Machine Assembly

Item	Description	Part Number	QTY	1	2	3	4	5	6	7	
1	SIDE PANEL KIT includes:	T-8040-117-1R	1	X							
	LEFT SIDE PANEL		1	X							
	RIGHT SIDE PANEL		1	X							
	COVER		1	X							
	LABLE		5	X							
	SHELF		1	X							
2	FRONT PANEL FRAME KIT:	T-8040-040-1R	1	X							
	FRONT PANEL		1	X							
	RED INSERT		1	X							
	HANDLE		1	X							
3	BASE, PARTITION, SHELF KIT:	T-8040-118-1R	1	X							
	BASE ASSEMBLY		1	X							
	PARTITION ASSEMBLY		1	X							
	PARTITION LABEL		1	X							
	FRONT PANEL		1	X							
	BACK LABEL		1	X							
	BRACKET		1	X							
4	LOCK	0654-610-004R	1	X							
5	LEAF HINGE	0654-610-007R	2	X							
6	WHEELS	1029-660-006R	2	X							
7	WHELLS	1029-660-004R	2	X							
8	WATER CONNECTION KIT:	T-8040-043-1R	1	X							
	COOLING HOSES		2	X							
	QUICK CONNECTOR		4	X							
9	PLASTIC COVER KIT	T-8040-120-1R	1	X							
10	ROTARY BRACKET	1361-598-180R	1	X							
11	REEL HUB STANDARD	0744-000-192R	1	X							
12	GAS SOLENOID	W8500011R	1	X							
13	CONDUCTOR RAILS KIT	T-8040-045-1R	1	X							
14	CONTROL BOARD	R-6042-096-1R or R-6042-125-1R (they are interchangeable)	1	X							

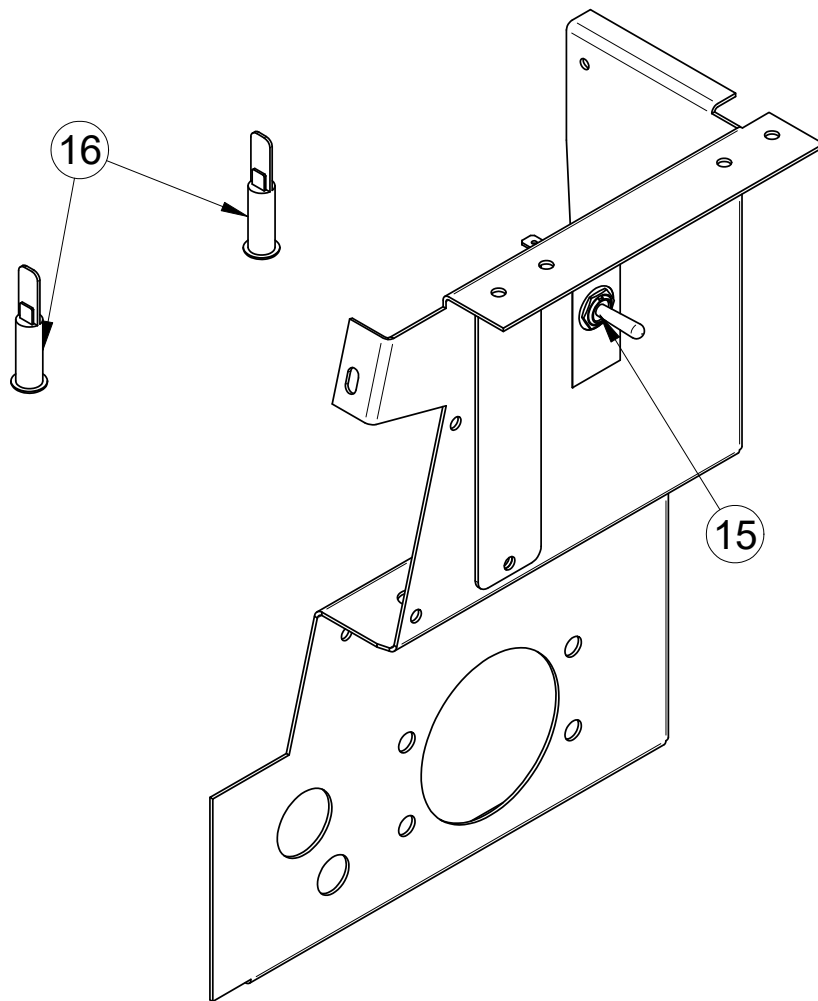


Figure B

Figure B: Partition Assembly

Item	Description	Part Number	QTY	1	2	3	4	5	6	7
15	SWITCH	1115-280-004R	1	X						
16	WHITE LAMP	0917-421-049R	2	X						

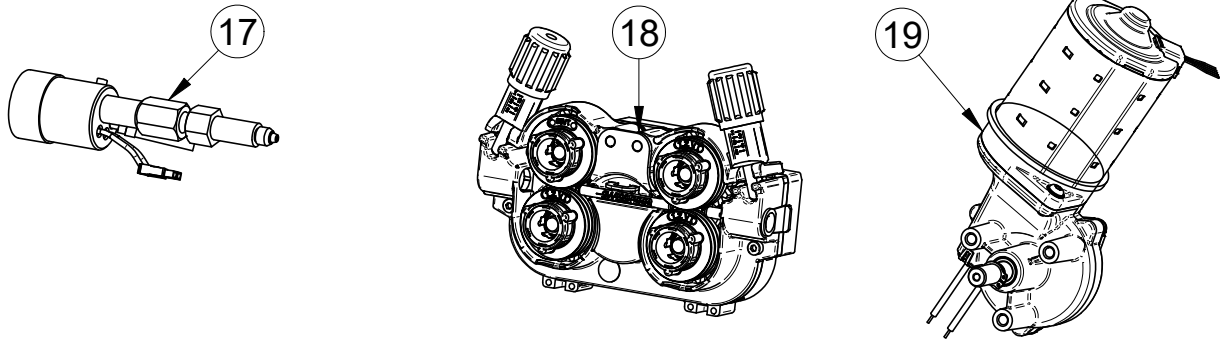


Figure C

Figure C: Wire Drive Assembly

Item	Description	Part Number	QTY	1	2	3	4	5	6	7
17	EURO SOCKET	T-8040-051-1R	1	X	X					
18	WIRE FEEDER	0744-000-009R	1	X	X					
19	WIRE MOTOR	T-8040-049-1R	1	X	X					

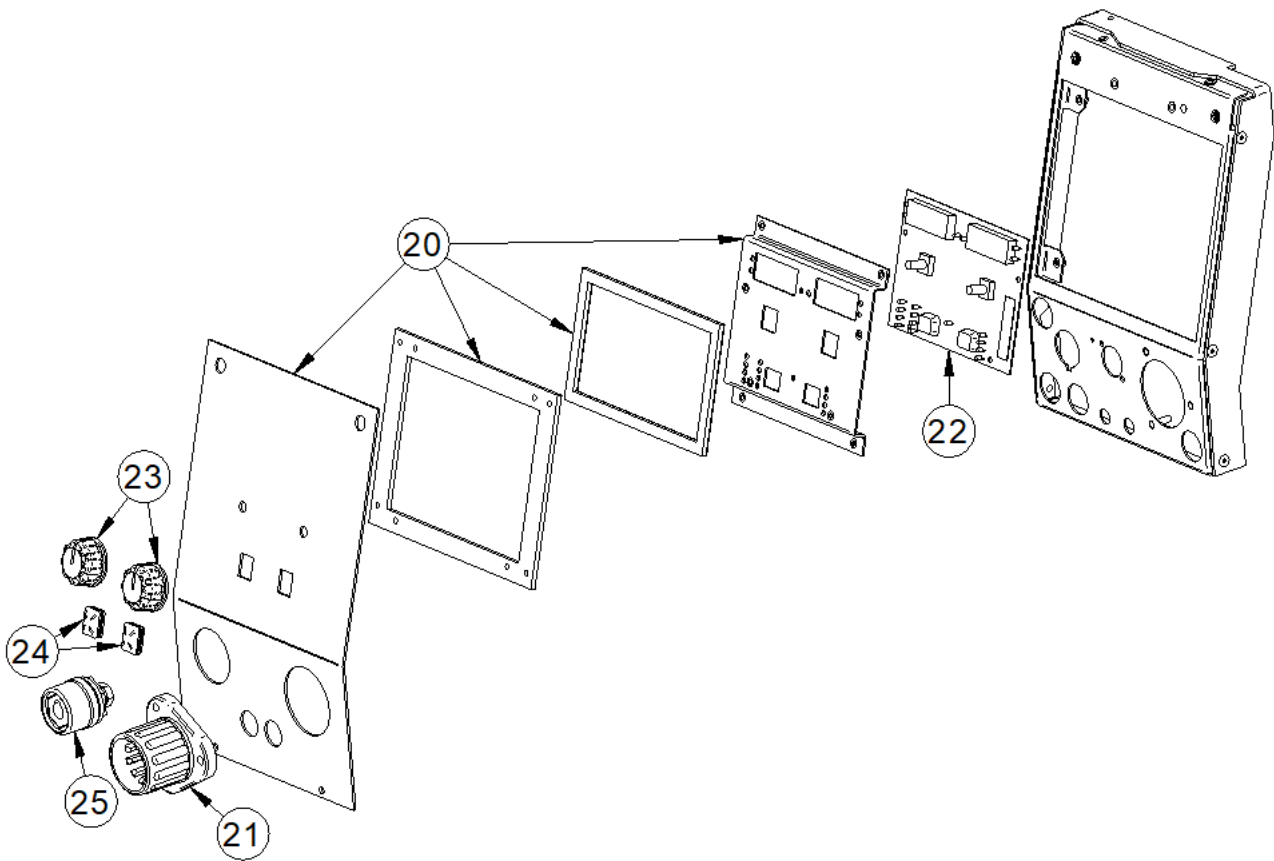


Figure D

Figure D: Front Assembly

Item	Description	Part Number	QTY	1	2	3	4	5	6	7
20	FRONT PANEL KIT:	T-8040-122-1R	1	X						
	DISPLAY FRONT PANEL		1	X						
	BRACKET		1	X						
	BRACKET		1	X						
	GASKET		1	X						
21	EURO SLEEVE	C-1891-006-1R	1	X						
22	USER INTERFACE PCB	R-6042-116-1R	1	X						
23	KNOB	9SM22778-2	2	X						
24	BUTTON	9SS23055	2	X						
25	SOCKET	90000595PR	1	X						

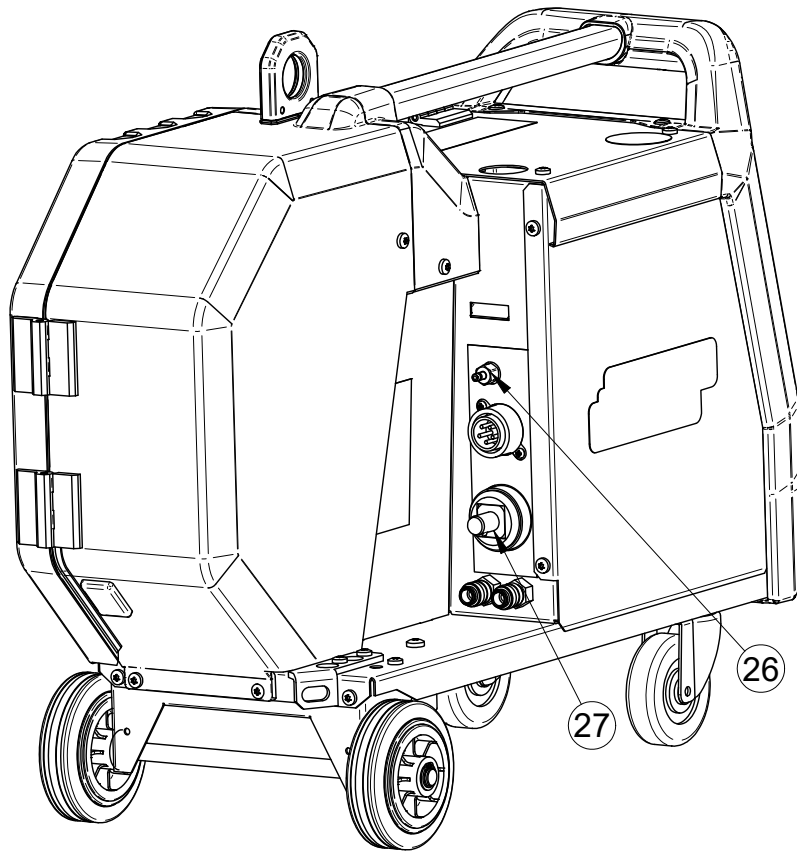


Figure E

Figure E: Back Panel

Item	Description	Part Number	QTY	1	2	3	4	5	6	7
26	GAS CONNECTION KIT	T-8040-055-1R	1	X						
27	SOCKET	D-2985-002-1R	1	X						

Miscellaneous Items (not shown in figure A, B, C, D, E)

Item	Description	Part Number	QTY	1	2	3	4	5	6	7
28	HARNESS KIT	T-8040-053-1R	1	X						

Electrical Schematic

CODE: 50579

