

ASPECT™ 300

Spare Parts	1
ASPECT 300.....	1
ASPECT 300 Assemblies overview	1
Figure A: ASPECT 300 Machine Central Assembly.....	2
Figure B: ASPECT 300 Machine Front Assembly.....	3
Figure C: ASPECT 300 Machine Rear Assembly	4
Figure D: ASPECT 300 Machine Top Assembly.....	5
Figure E: ASPECT 300 Machine Bottom Assembly.....	6
Electrical Schematic	7
ASPECT 300 code 52105	7

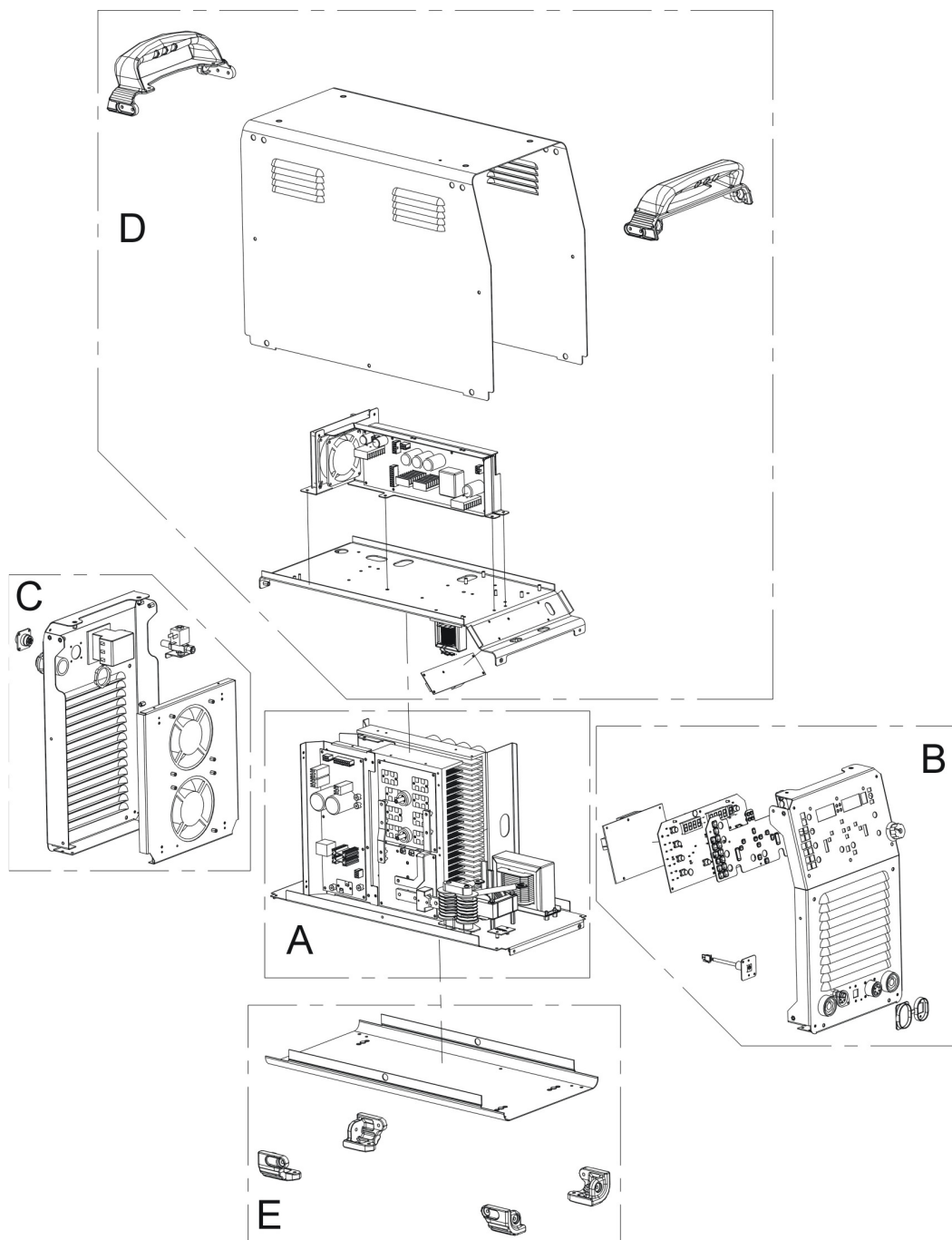


Spare Parts

SP52105 Rev01
07/03

ASPECT 300

ASSEMBLY PAGE NAME		Assemblies overview	Machine Central Assembly	Machine Front Assembly	Machine Rear Assembly	Machine Top Assembly	Machine Bottom Assembly	
CODE NO.:	FIGURE NO.:	-	A	B	C	D	E	
52105	A	-	1	1	1	1	1	



ASPECT 300 Assemblies overview

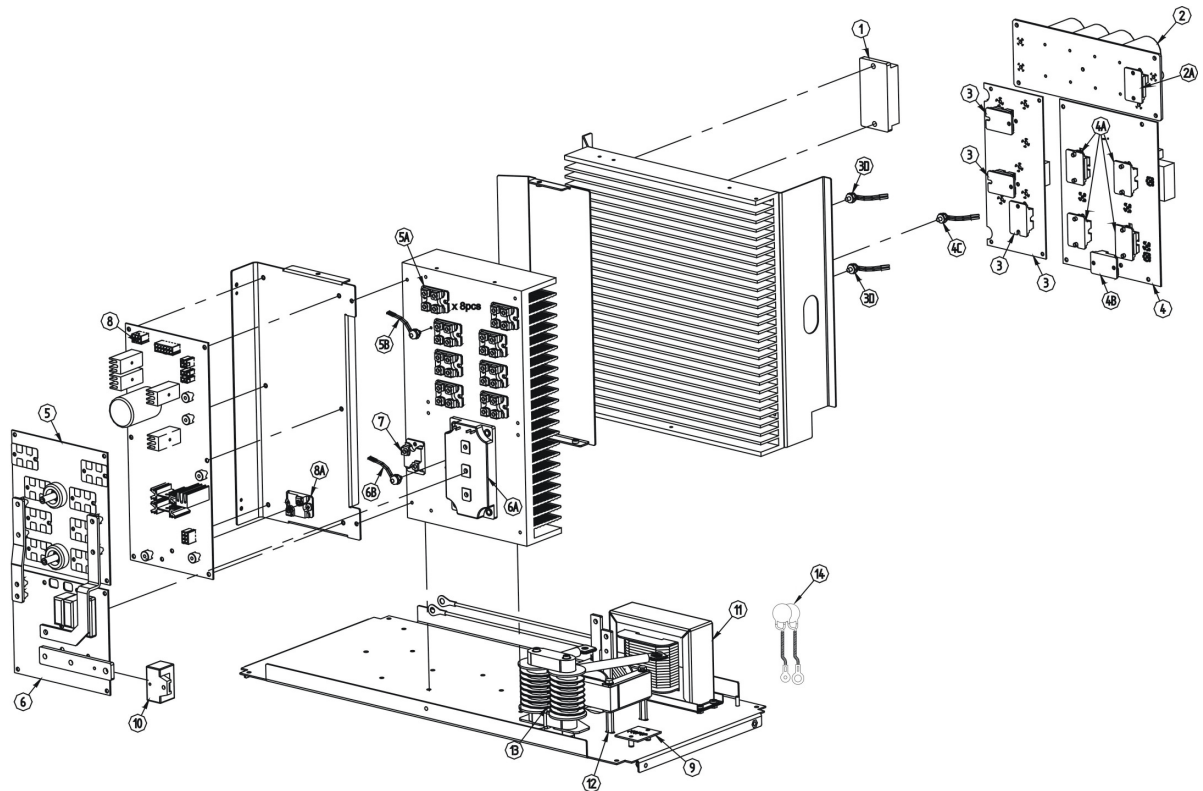


Figure A: ASPECT 300 Machine Central Assembly

Item	Description	Part Number	QTY	1	2	3	4	5	6
1	INPUT BRIDGE	W4100021R	1	X					
2	CAPS BOARD	W05X1470R	1	X					
2A	+ POWER RESISTOR	W1810233R	1	X					
3	BUCK BOOST BOARD	W05X0982-1R	1	X					
3A	+ POWER IGBT BOOST	W4300072R	1	X					
3B	+ POWER IGBT BUCK	W4300079R	1	X					
3C	+ POWER DIODE	W4060121R	1	X					
3D	+ THERMAL SENSOR	R-5141-029-1R	2	X					
4	INVERTER P.C. BOARD	W05X1327-3R	1	X					
4A	+ POWER IGBT	W4300074R	4	X					
4B	+ POWER RESISTOR	W1810010R	1	X					
4C	+ THERMOSTAT SENSOR	W2510070R	1	X					
5	OUTPUT DIODE ACDC BOARD	W05X1523R	1	X					
5A	+ POWER DIODE	W4010060R	8	X					
5B	+ THERMAL SENSOR	R-5141-029-2R	1	X					
6	OUTPUT IGBT ACDC BOARD	W05X1524R	1	X					
6A	+ POWER IGBT	W4300087R	1	X					
6B	+ THERMAL SENSOR	R-5141-029-2R	1	X					
7	SNUBBER RESISTOR	W1810047R	1	X					
8	OUTPUT P.C. BOARD	W05X1527R	1	X					
8A	+ POWER RESISTOR	W1810133R	1	X					
9	CAPACITOR P.C. BOARD	W05X1516-2R	1	X					
10	HALL SENSOR	W4900004R	1	X					
11	BB CHOKE	W58X1072R	1	X					
12	OUT INDUCTOR	W58X1466R	1	X					
13	HF TRANSFORMER	W59X1520R	1	X					
14	EMI CAPACITORS ASSEMBLY	R-5141-041-1R	1	X					

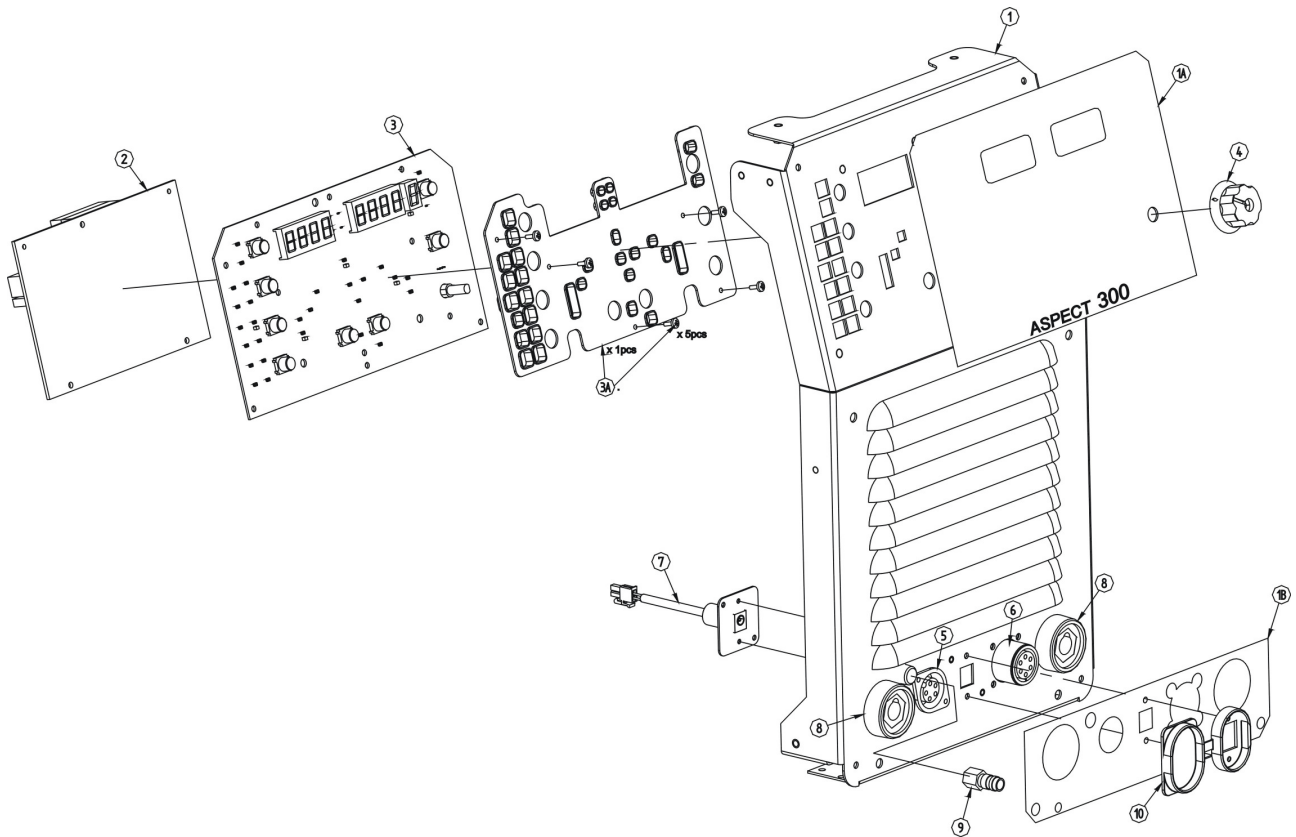


Figure B: ASPECT 300 Machine Front Assembly

Item	Description	Part Number	QTY	1	2	3	4	5	6
1	FRONT FRAME	R-3119-001-1/08R	1	X					
1A	+ FRONT NAMEPLATE	+ W07X1537R	1	X					
1B	+ FRONT SYMBOL NAMEPLATE	+ W07X1567R	1	X					
2	CONTROL P.C. BOARD	W05X1462R	1	X					
3	DISPLAY P.C. BOARD	W05X1529R	1	X					
3A	+ LIGHT GUIDE and its screws	+ W95X1570R	1	X					
4	KNOB	9SM22778-2	1	X					
5	TRIGGER TORCH CONNECTOR	W6860032R	1	X					
6	REMOTE CONTROL CONNECTOR	R-5141-014-1R	1	X					
7	WIRELESS POWER CONNECTOR	R-5141-039-1R	1	X					
8	DINSE CONNECTOR	W7690350R	2	X					
9	FITTING QUICK CONNECTION PU 1/8	W8800082R	1	X					
10	PLASTIC COVER CAP FOR WIRELESS	9SM22444	1	X					

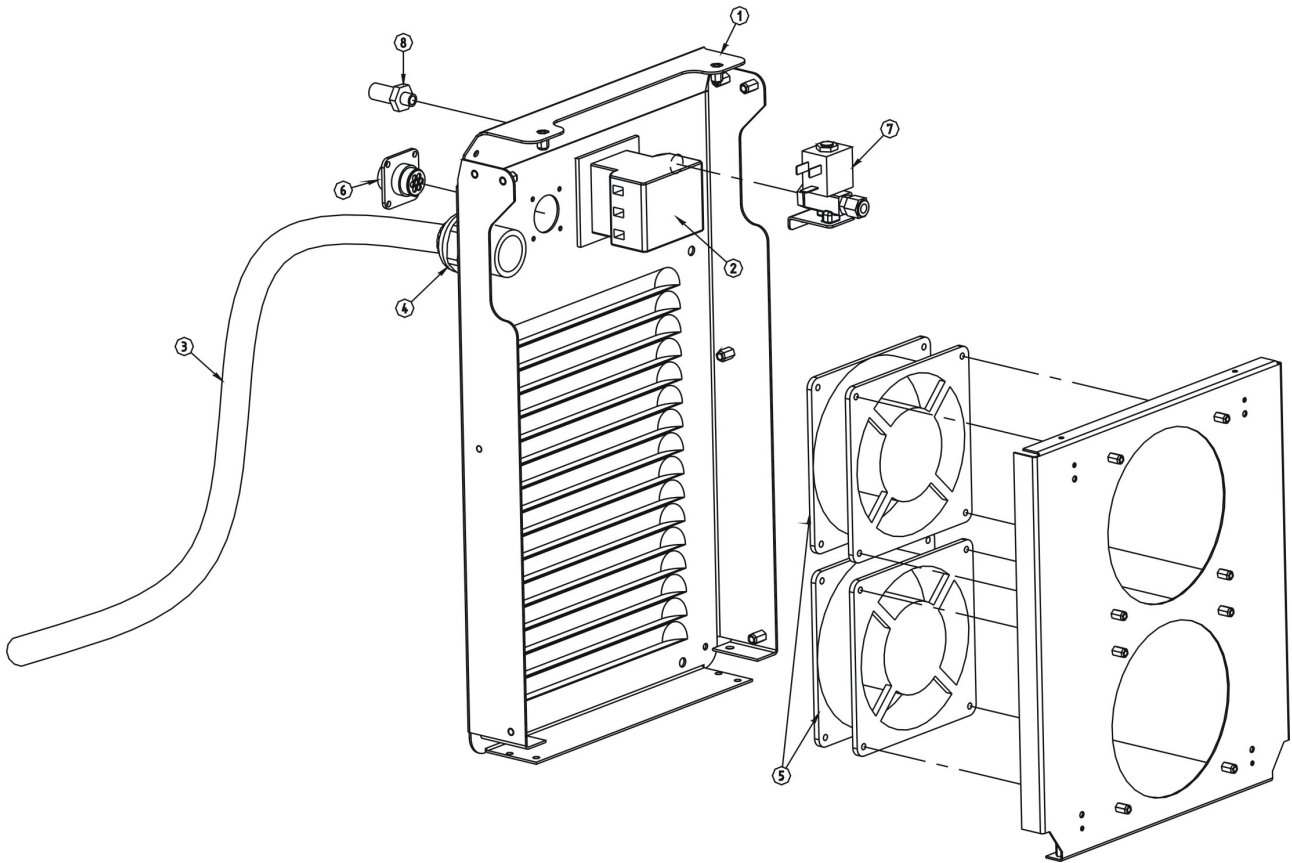


Figure C: ASPECT 300 Machine Rear Assembly

Item	Description	Part Number	QTY	1	2	3	4	5	6
1	REAR FRAME	R-3119-002-1/08R	1	X					
2	MAIN SWITCH	W7511706R	1	X					
3	INPUT CORD	R-5141-035-1R	1	X					
4	CABLE CLAMP WITH NUT	W8403223R	1	X					
5	FAN	W66X1369R	1	X					
6	WATER COOLER CONNECTOR	R-5141-022-1R	1	X					
7	SOLENOID VALVE	W8500011R	1	X					
8	FITTING 1/4-1/8 + NUT 1/4	W8896074R	1	X					

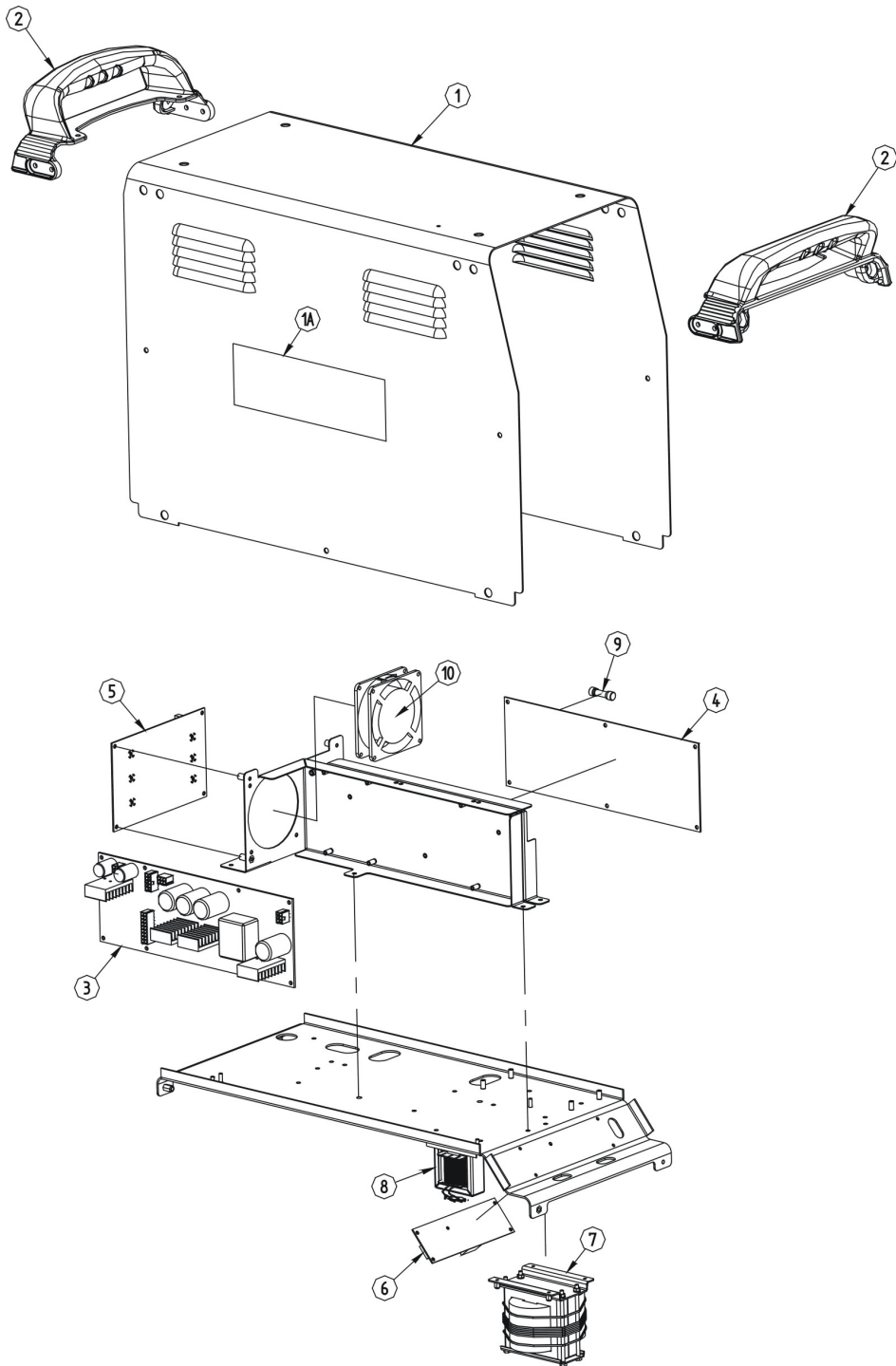


Figure D: ASPECT 300 Machine Top Assembly

Item	Description	Part Number	QTY	1	2	3	4	5	6
1	WRAPAROUND	R-3119-005-1/02R	1	X					
1A	+ KIT SIDE NAMEPLATES INVERTEC	+ W07X1575R	2	X					
2	FRONT / REAR HANDLE	W95X1150R	2	X					
3	INPUT POWER BOARD	W05X1461R	1	X					
4	INPUT CONTROL BOARD	W05X1460R	1	X					
5	EMI FILTER	W05X1471R	1	X					
6	HF P.C. BOARD	W05X1331-2R	1	X					
7	OUT TRANSFORMER	W59X1465R	1	X					
8	BACKGROUND CHOKE COIL	W58X1552R	1	X					
9	WATER COOLER FUSE	W7300225R	1	X					
10	FAN ASSEMBLY	R-5141-026-1R	1	X					

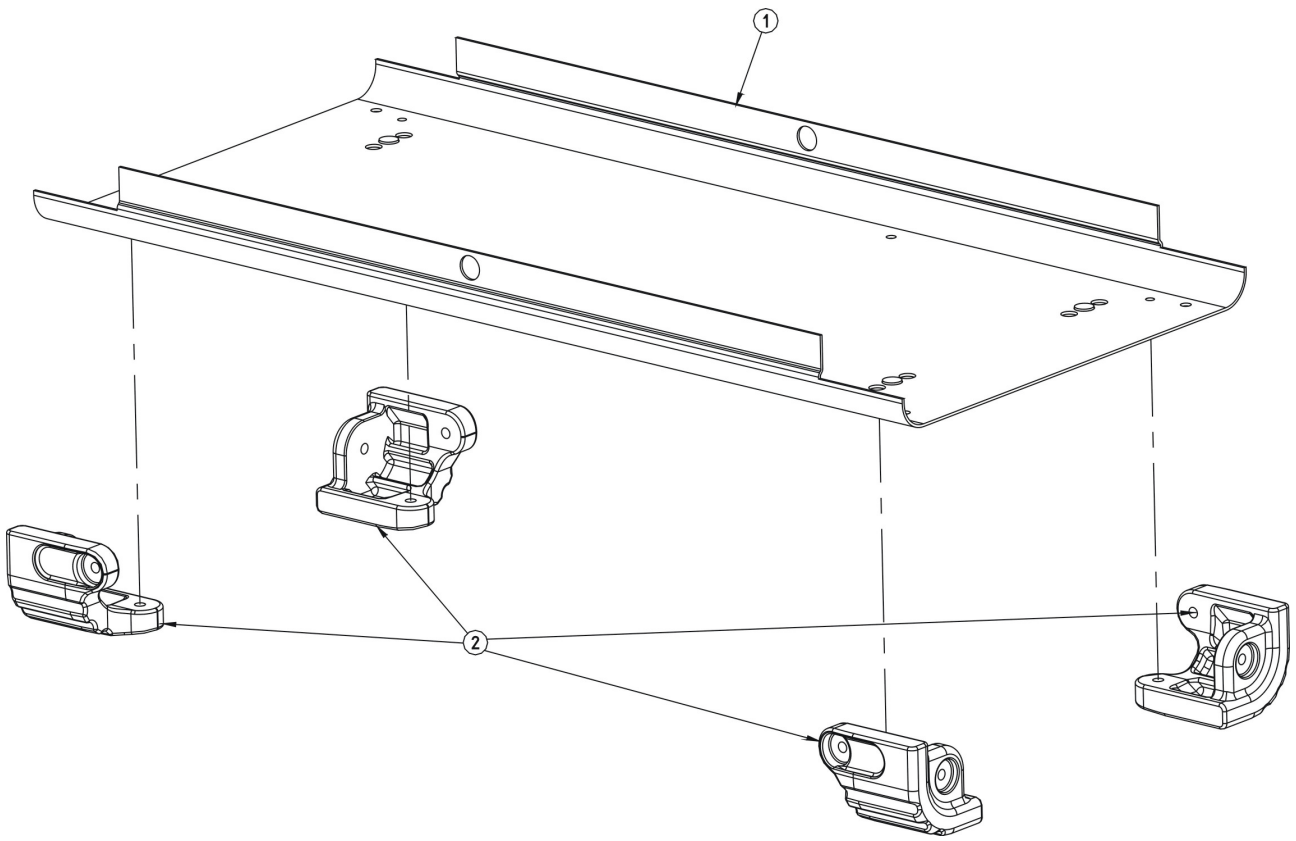


Figure E: ASPECT 300 Machine Bottom Assembly

Item	Description	Part Number	QTY	1	2	3	4	5	6
1	EXTERNAL BASE	R-3119-011-1/02R	1	X					
2	KIT 4 ANTI-SLIP FOOT	W95X1147R	1	X					

Electrical Schematic

ASPECT 300 code 52105

