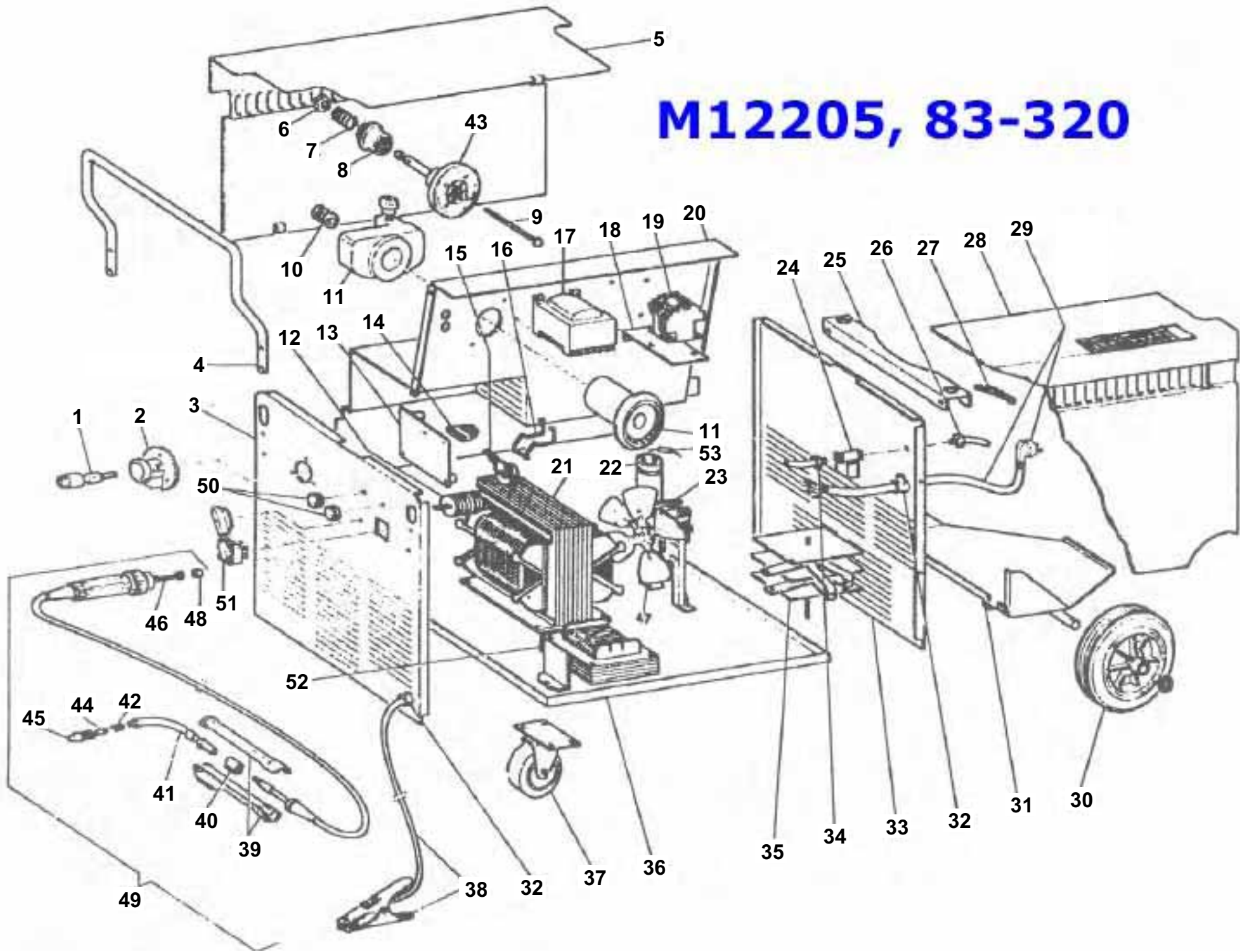


M12205, 83-320



M12205, 83-320

Item	Lincoln Stock #	Customer #	Description
1		B7080370 (5710065)	Adapter body
2		B7081370 (3080234)	Adapter flange
3		B7082370	Front panel
4		B7084370 (5800443)	Handle
5		B7085370	Cover
6		B7087370	Knob
7		B7088370	Spring Support
8		B7089370	Reel outer support
9		B7090370	Screw
10		B7091370 (3080241)	Drive Roller
11		B7092370 (5750602)	Drive motor & base assy
12		B7093370 (3190125)	Switch
13		B7094370 (5600845)	Circuit board
14		B7095370 (5580220)	Spring Support
15	S26399-21	B7096370 (3190357)	Thermostat
16		B7097370 (311503)	Thermostat spring
17		B7098370 (5800517)	Aux. transformer
18		B7099370	Support
19		B7100370 (3190268)	Remote control switch
20		B7101370	Center panel
21		B7102370 (5600343)	Transformer
22		B7103370 (3175701)	Capacitor
23		B7104370 (3165064)	Fan motor
24		B7105370 (3160181)	Gas solenoid, 24Vac
25		B7106370 (5800828)	Bottle support
26		B7107370 (3160016)	Gas hose fitting
27		B7108370 (3080353)	Chain
28		B7109370 (5800988)	Fixed side panel
29		B7111370 (5580384)	Power cord

Item	Lincoln Stock #	Customer #	Description
30	S27985-42	413-118-666, B7112370, B7033380	Wheel, 7 3/4" dia. X 1.22
31		B7113370 (5800547)	Bottle holder
32		B7114370 (3180002)	Strain Relief
33		B7115370 (5800394)	Back panel
34		B7116370 (3160014)	Gas hose fitting
35		B7117370 (3200076)	Rectifier
36		B7118370 (5800733)	Base
37		B7119370 (3130085)	Caster
38		B7120370 (5580092)	Ground cable
39		B7121370 (3055607)	Handle assy.
40		B7122370	Adapter
41	334-628-000	B7123370 (1469.00)	Gooseneck assy.
42		334-172-000, B7124370	Spring
43		B7125370 (3060278)	Coil support
44	KP11-25, KH710	43090, 334-159-300, KP2039-1B1, M15522, 83-393	0.025 Contact Tips
	KP11-30, KH711	43100, 334-160-300, KP2039-2B1, M15523, 83-394	0.030 Contact Tips
	KP11-35, KH712	43110, 334-161-300, KP2039-3B1, M15524, 83-395	0.035 Contact Tips
45	334-164-400	M15520, 83-391	Steel Welding Nozzle
	334-162-300	M15521, 83-392	Spot Welding Nozzle
46	411-121-666	M15192, 83-239	Steel liner
	411-123-666	M15194, 83-241	Teflon liner
48		B7127370 (3155512)	Liner nut
49		334-644-000, M15193, 83-240	Mig gun assy.
50		B7128370 (3055125)	Knob
51		B7129370 (3190002)	Switch
52		B7130370 (5605003)	Reactor
53		B7131370 (3205030)	Resistor

Not Shown

55	334-303-001		Gas Regulator
----	-------------	--	---------------

817/10

Model	Primary Input	Input Plug	Duty Cycle
M12205	230V, 29.5 amp	50A	15% @ 180 amps, 20% @ 170 amps, 35% @ 130 amps, 60% @ 100 amps

Rated Output	Voltage Settings	Agency Listing	Max Output
180	6	CSA	180 amps, 1/2"

