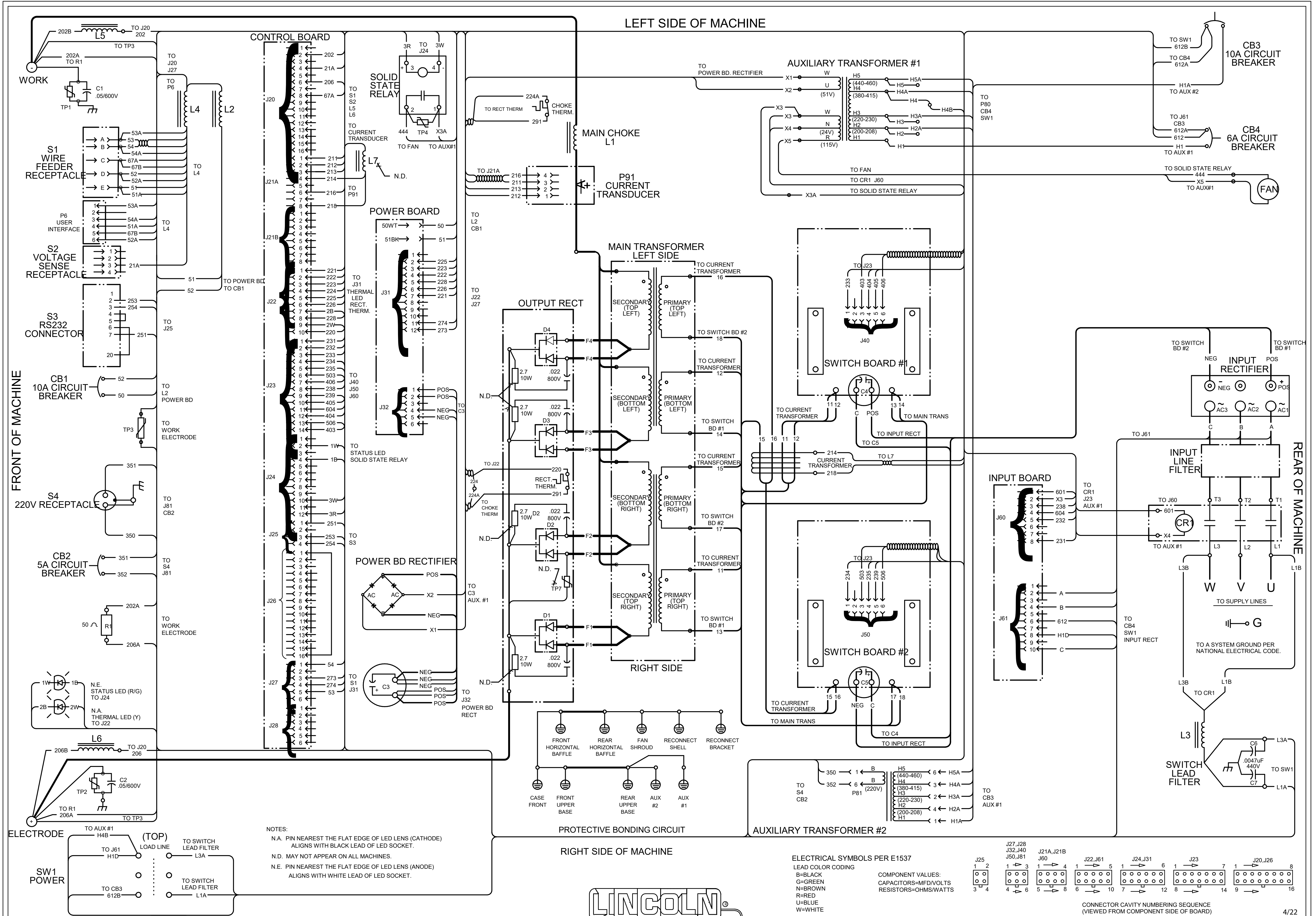


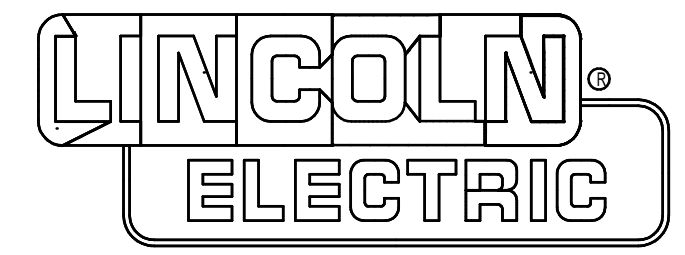
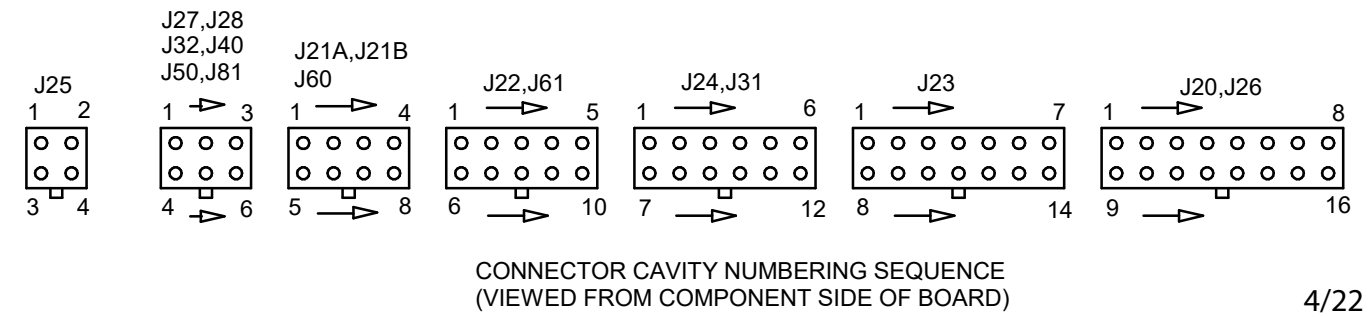
POWER WAVE 455 (380-415V, CE) WIRING DIAGRAM G3051-3 REV: B



NOTES:
 N.A. PIN NEAREST THE FLAT EDGE OF LED LENS (CATHODE) ALIGNS WITH BLACK LEAD OF LED SOCKET.
 N.D. MAY NOT APPEAR ON ALL MACHINES.
 N.E. PIN NEAREST THE FLAT EDGE OF LED LENS (ANODE) ALIGNS WITH WHITE LEAD OF LED SOCKET.

ELECTRICAL SYMBOLS PER E1537
 LEAD COLOR CODING
 B=BLACK
 G=GREEN
 N=BROWN
 R=RED
 U=BLUE
 W=WHITE

COMPONENT VALUES:
 CAPACITORS=MFD/VOLTS
 RESISTORS=OHMS/WATTS



CLEVELAND, OHIO, U.S.A.