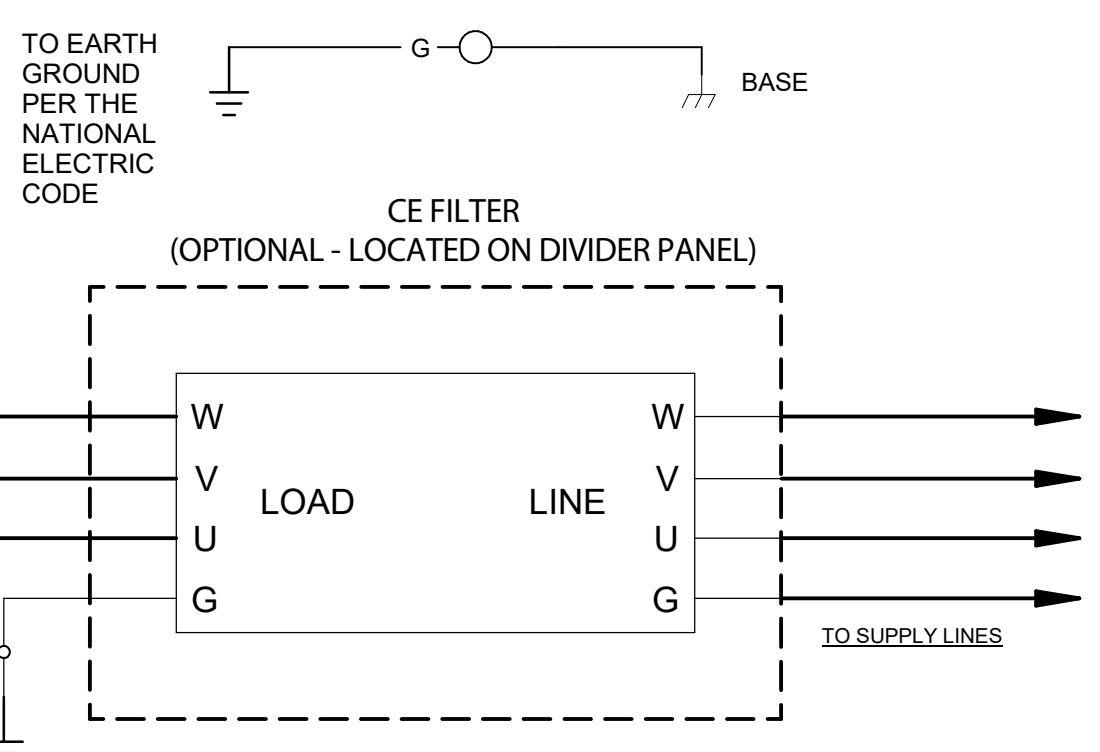
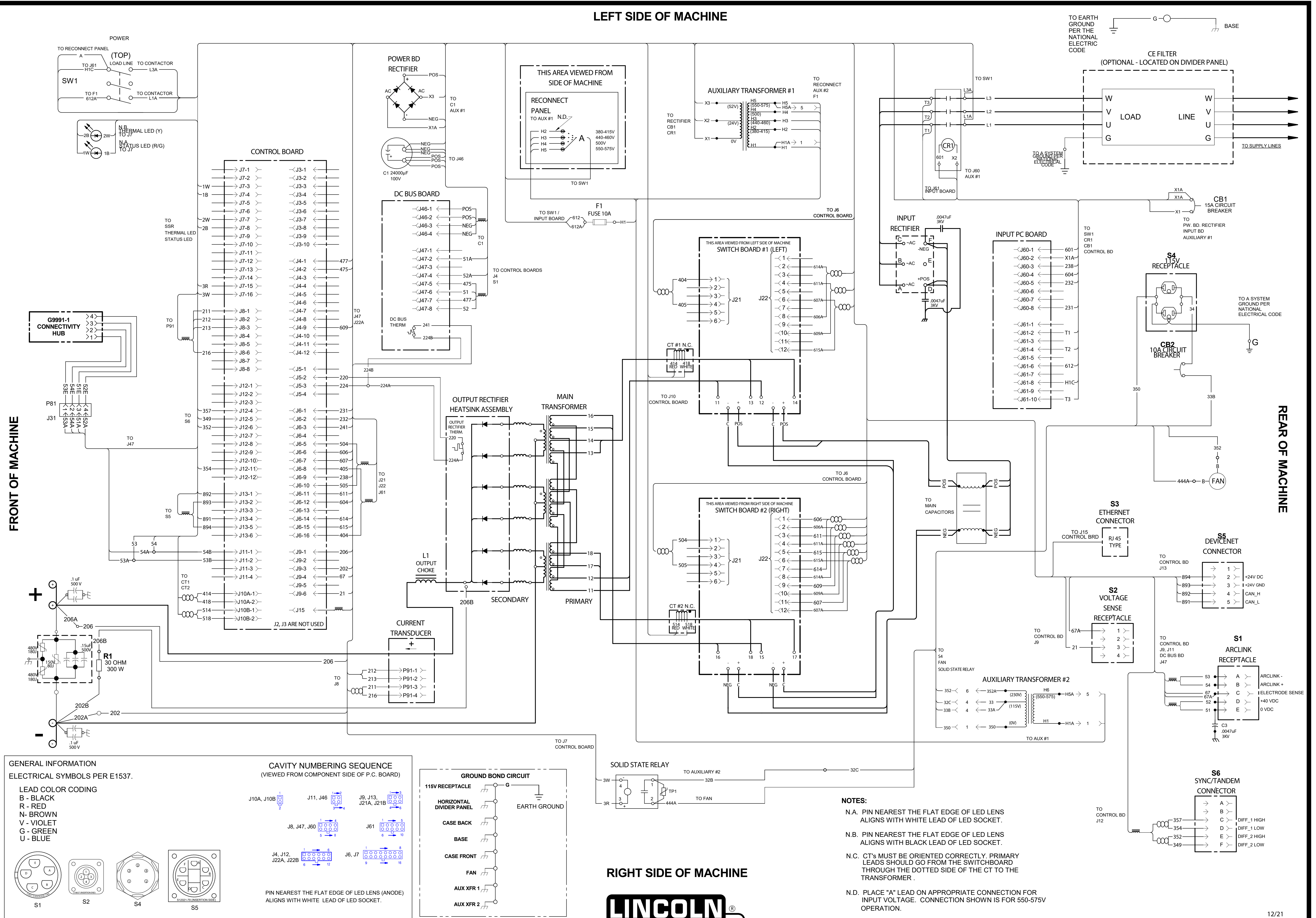


LEFT SIDE OF MACHINE

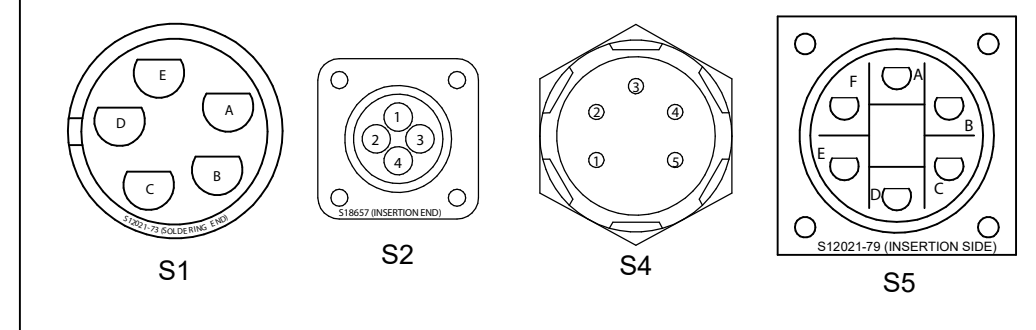


FRONT OF MACHINE

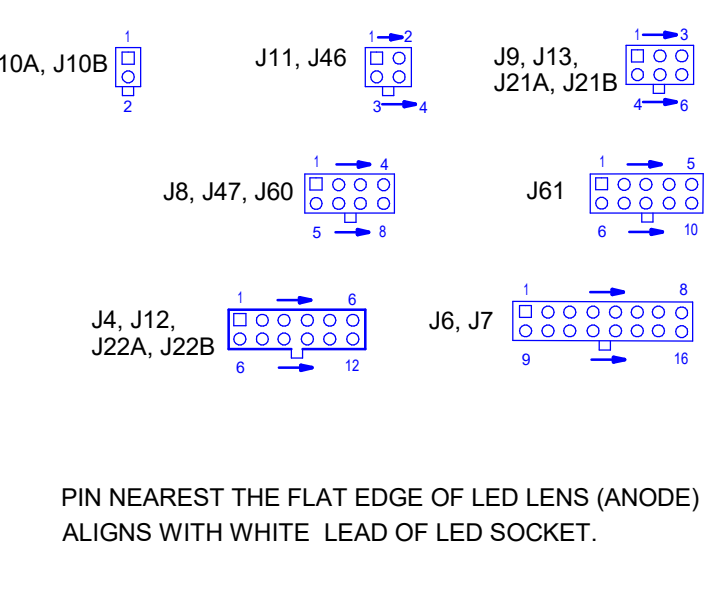
REAR OF MACHINE

GENERAL INFORMATION  
ELECTRICAL SYMBOLS PER E1537.

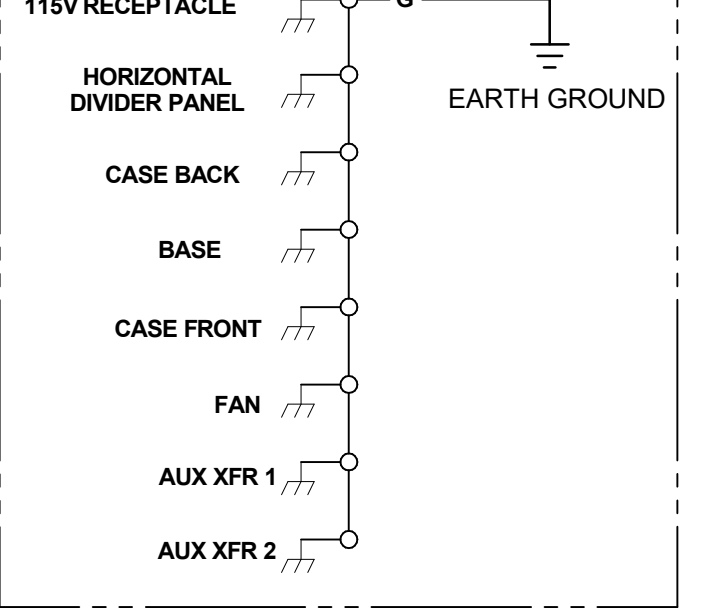
LEAD COLOR CODING  
B - BLACK  
R - RED  
N - BROWN  
V - VIOLET  
G - GREEN  
U - BLUE



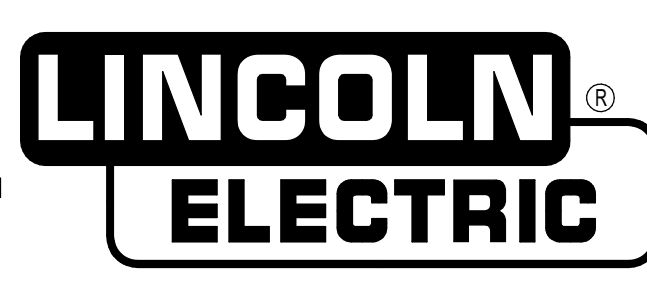
CAVITY NUMBERING SEQUENCE  
(VIEWED FROM COMPONENT SIDE OF P.C. BOARD)



GROUND BOND CIRCUIT



RIGHT SIDE OF MACHINE



CLEVELAND, OHIO, U.S.A.

NOTES:  
N.A. PIN NEAREST THE FLAT EDGE OF LED LENS ALIGNS WITH WHITE LEAD OF LED SOCKET.  
N.B. PIN NEAREST THE FLAT EDGE OF LED LENS ALIGNS WITH BLACK LEAD OF LED SOCKET.  
N.C. CT'S MUST BE ORIENTED CORRECTLY. PRIMARY LEADS SHOULD GO FROM THE SWITCHBOARD THROUGH THE DOTTED SIDE OF THE CT TO THE TRANSFORMER.  
N.D. PLACE "A" LEAD ON APPROPRIATE CONNECTION FOR INPUT VOLTAGE. CONNECTION SHOWN IS FOR 550-575V OPERATION.