

C101	1 MFD/35 V.	R101	10 KΩ	R129	2.7 MEGΩ
C102	100 MFD/25 V.	R102	10 KΩ	R130	68 Ω
C103	10 MFD/25 V.	R103	2.7 MEGΩ	R131	47 KΩ
C104	.02 MFD/25 V.	R104	100 KΩ		
C105	50 MFD/16 V.	R105	1 KΩ		
C106	150 MFD/50 V.	R106	10 KΩ		
C107	20 MFD/25 V.	R107	10 KΩ		
C108	.0047 MFD/1400 V.	R108	27 Ω		
C109	.1 MFD/400 V.	R109	1 KΩ	Q101	4N28
D101	1 A, 100 V.	R110	47 KΩ	Q102	2N5816
D102	1 A, 100 V.	R111	51 Ω	Q103	2N5816
D103	1 A, 400 V.	R112	1 KΩ	Q104	2N5816
D104	1 A, 400 V.	R113	10 KΩ	Q105	4N28
D105	1 A, 400 V.	R114	10 KΩ		
D106	1 A, 1000 V.	R115	33.2 KΩ	X101	QUAD OF AMP
D107	1 A, 1000 V.	R116	10 KΩ	TP101	150 V. RMS
D2101	24 V, 5W	R117	4.7 KΩ	TP102	150 V. RMS
D2102	10 V, 1W	R118	47 KΩ	CR101	RELAY 24 V. COIL/5.6 K
D2103	10 V, 5W	R119	2.2 KΩ	CR102	RELAY 24 V. COIL/5.6 K
D2104	3 V, 5W	R120	22 KΩ		
		R121	4.7 KΩ		
		R122	100 Ω		
		R123	1 KΩ		
		R124	680 Ω		
		R125	27 KΩ		
		R126	500 Ω		
		R127	500 Ω		
		R128	1 KΩ		

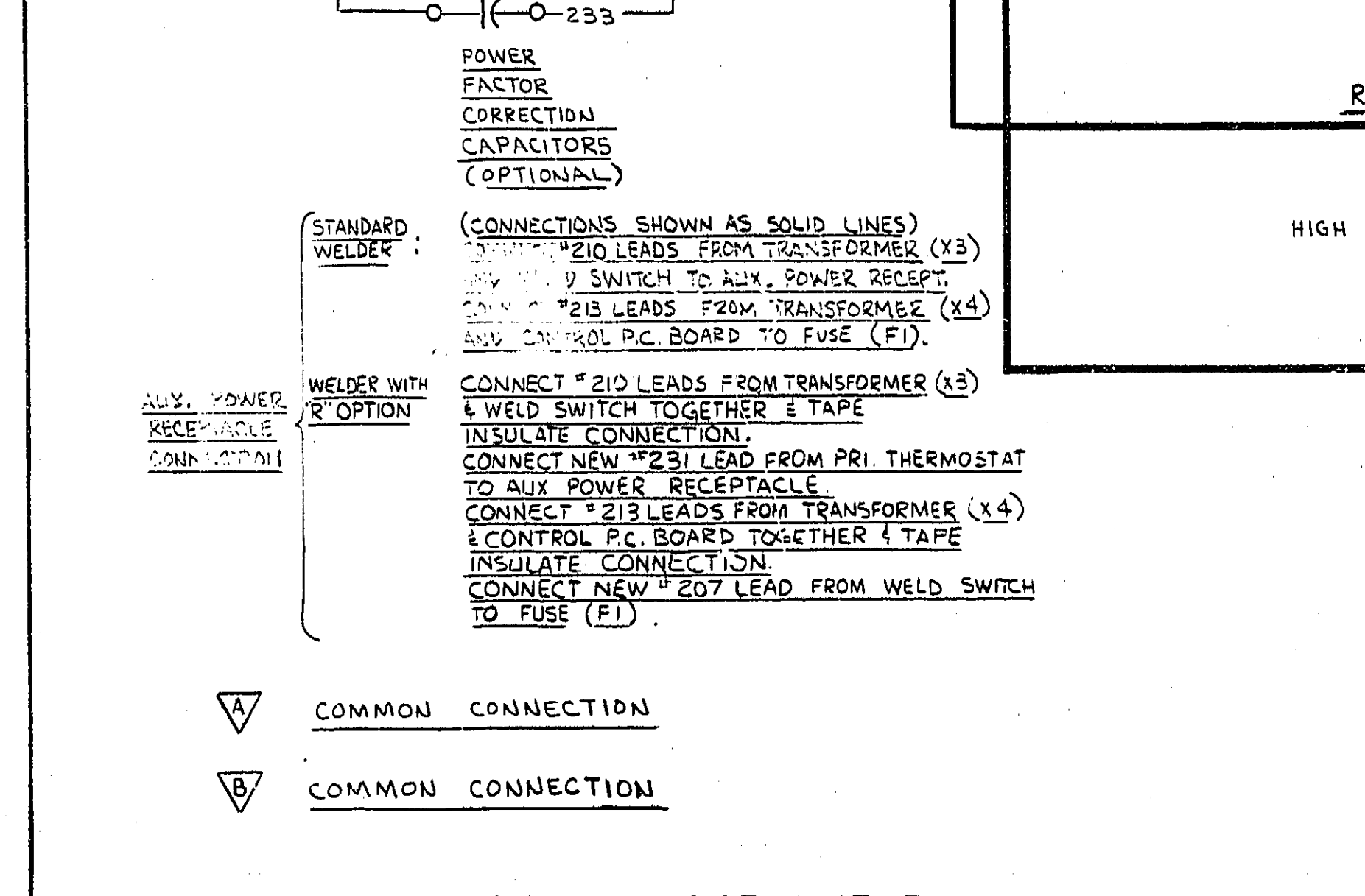
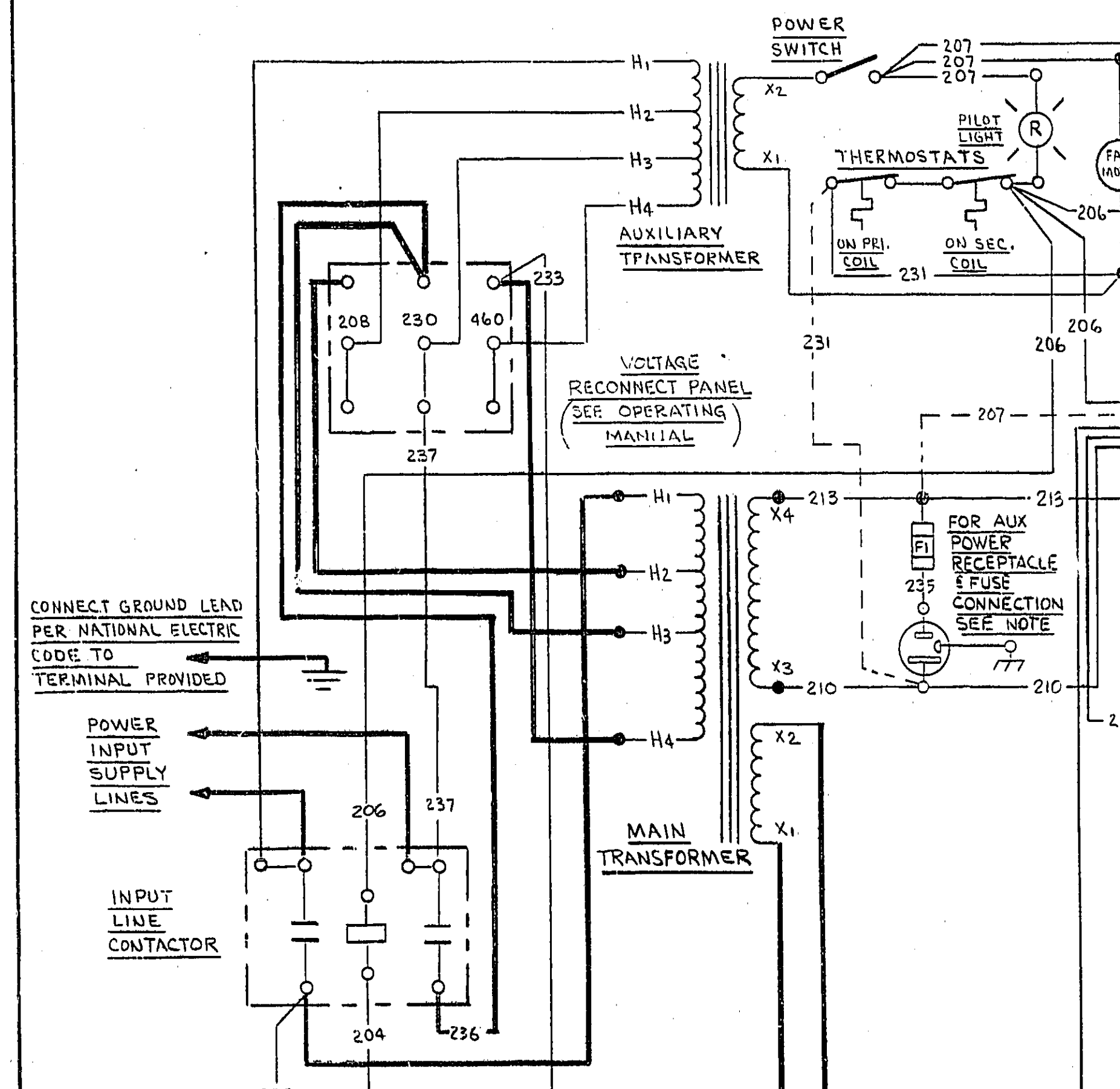
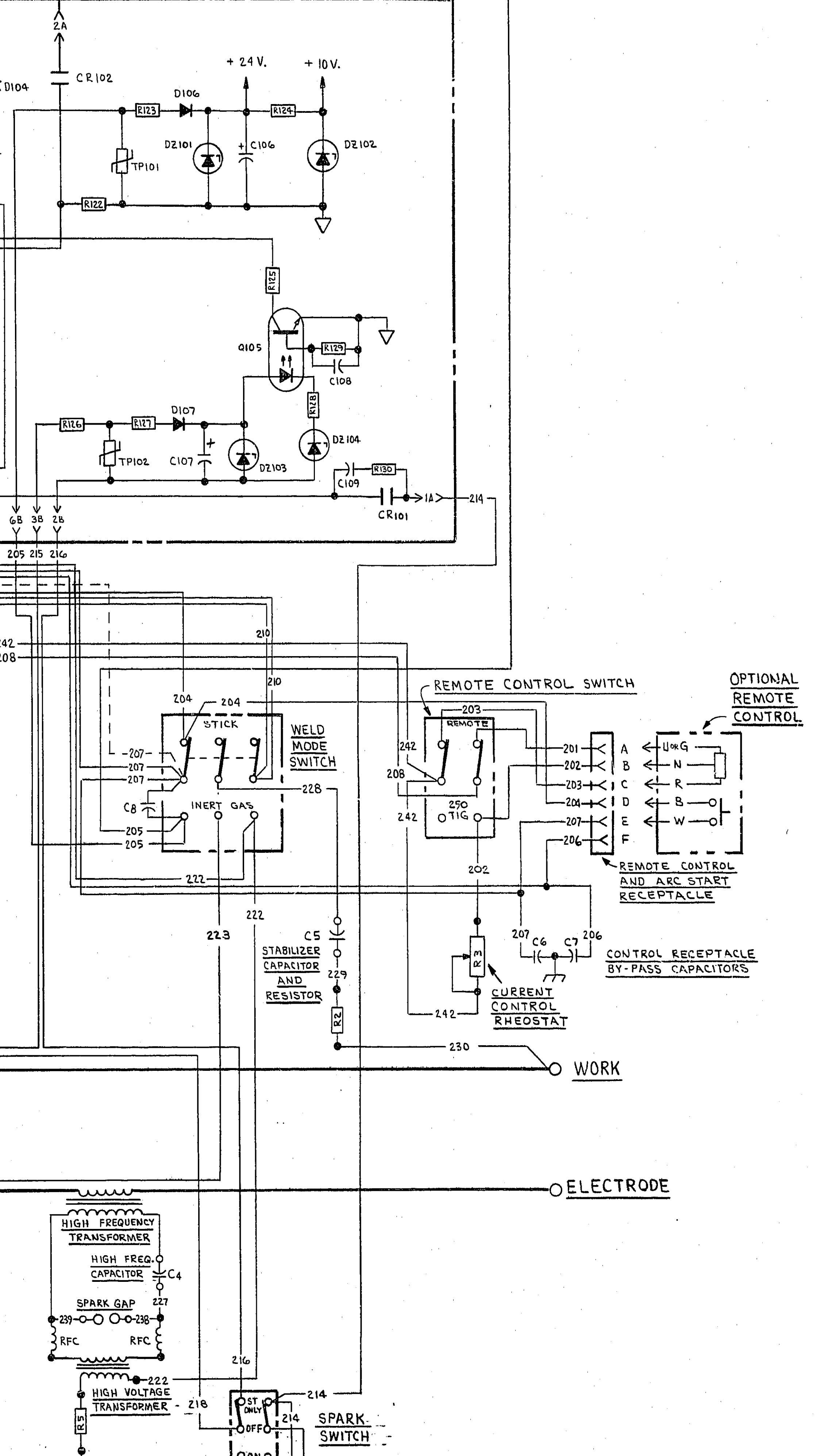
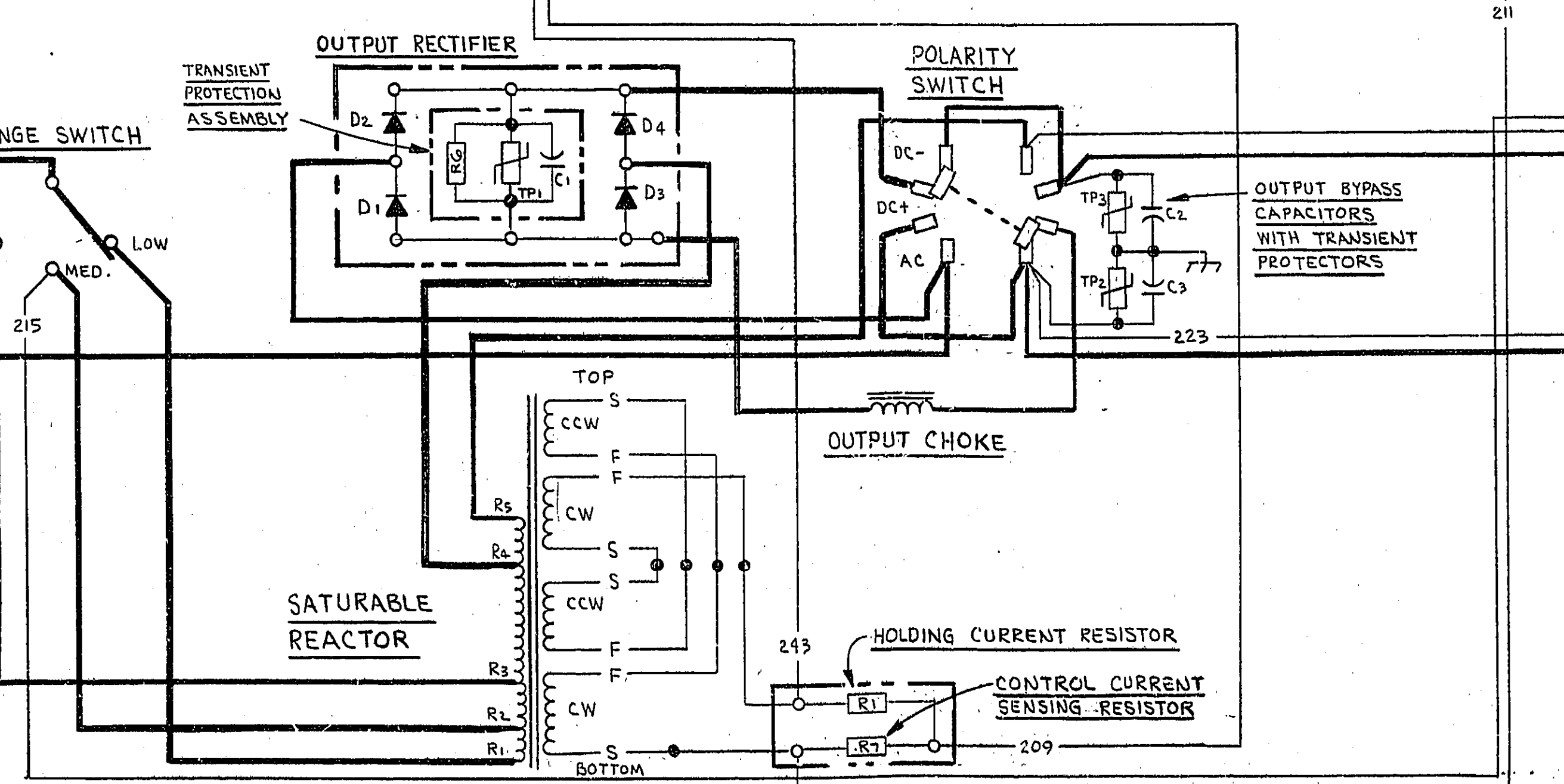
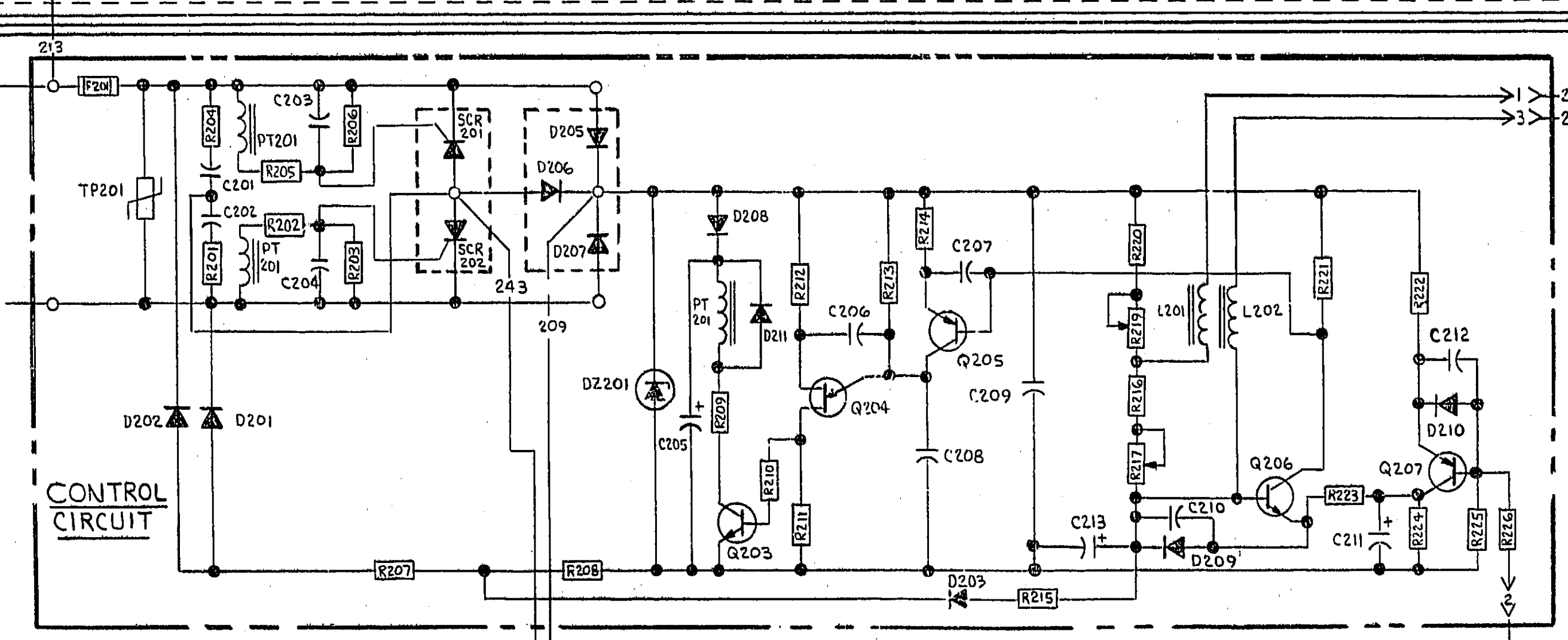
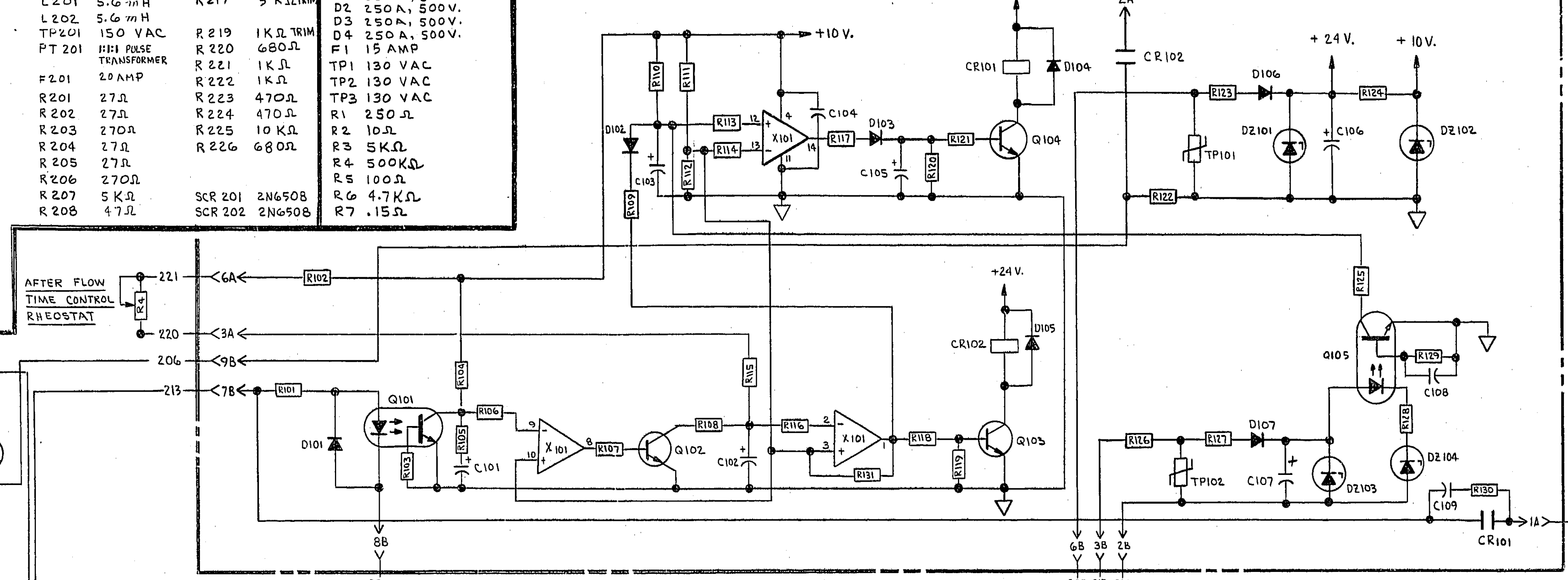
CONTROL CIRCUIT

C201	.1 MFD/400 V.DC.-200 V.A.C.	R209	15 Ω	C1	.47 MFD/
C202	.1 MFD/400 V.DC.-200 V.A.C.	R210	1 KΩ	C2	.0047 MFD/1400 V.
C203	.02 MFD/600 V.	R211	47 Ω	C3	.0047 MFD/1400 V.
C204	.02 MFD/600 V.	R212	470 Ω	C4	.002 MFD/12.5 KV.
C205	20 MFD/50 V.	R213	150 KΩ	C5	30 MFD/75 V.
C206	.02 MFD/25 V.	R214	2.7 KΩ	C6	.0047 MFD/1400 V.
C207	.02 MFD/25 V.	R215	270 Ω	C7	.0047 MFD/1400 V.
C208	.1 MFD/100 V.	R216	2.2 KΩ	C8	.1 MFD/400 VDC-200 VAC
C209	.02 MFD/600 V.	R217	5 KΩ TRIM	D1	250 A, 500 V.
C210	.02 MFD/25 V.	R219	1 KΩ TRIM	D2	250 A, 500 V.
C211	200 MFD/16 V.	R220	680 Ω	D3	250 A, 500 V.
C212	.02 MFD/25 V.	R221	1 KΩ	D4	250 A, 500 V.
C213	1 MFD/35 V.	R222	1 KΩ	F1	15 AMP
		R223	470 Ω	TP1	130 VAC
		R224	470 Ω	TP2	130 VAC
		R225	10 KΩ	TP3	130 VAC
		R226	680 Ω	R1	250 Ω
		R227	27 Ω	R2	10 Ω
		R228	27 Ω	R3	5 KΩ
		R229	27 Ω	R4	500 KΩ
		R230	27 Ω	R5	100 Ω
		R231	5 KΩ	R6	4.7 KΩ
		R232	47 Ω	R7	.15 Ω

COMPONENTS NOT ON P.C. BOARDS

Q203	2N5816	L201	5.6 mH
Q204	UJT	L202	5.6 mH
Q205	2N5815	TP201	150 VAC
Q206	2N5816	F201	20 AMP
Q207	2N5815	R201	27 Ω
		R202	27 Ω
		R203	270 Ω
		R204	27 Ω
		R205	27 Ω
		R206	270 Ω
		R207	5 KΩ
		R208	47 Ω
		SCR 201	2N6508
		SCR 202	2N6508

PREFLOW/AFTERFLOW/ARC SENSE



STANDARD WELDER: (CONNECTIONS SHOWN AS SOLID LINES)
 WELDER WITH RECEPTACLE OPTION: (CONNECTIONS SHOWN AS DASHED LINES)
 WELDER WITH RECEPTACLE OPTION: (CONNECTIONS SHOWN AS DOTTED LINES)

CONNECT #210 LEADS FROM TRANSFORMER (X3) & WELD SWITCH TO AUX. POWER RECEPTACLE.
 CONNECT #213 LEADS FROM TRANSFORMER (X4) & WELD SWITCH TO FUSE (F1).
 CONNECT #210 LEADS FROM TRANSFORMER (X3) & WELD SWITCH TO AUX. POWER RECEPTACLE.
 CONNECT #213 LEADS FROM TRANSFORMER (X4) & WELD SWITCH TO FUSE (F1).
 CONNECT #210 LEADS FROM TRANSFORMER (X3) & WELD SWITCH TO AUX. POWER RECEPTACLE.
 CONNECT #213 LEADS FROM TRANSFORMER (X4) & WELD SWITCH TO FUSE (F1).
 CONNECT #210 LEADS FROM TRANSFORMER (X3) & WELD SWITCH TO AUX. POWER RECEPTACLE.
 CONNECT #213 LEADS FROM TRANSFORMER (X4) & WELD SWITCH TO FUSE (F1).

△ COMMON CONNECTION
 ▽ COMMON CONNECTION

ELECTRICAL SYMBOLS PER E-1537