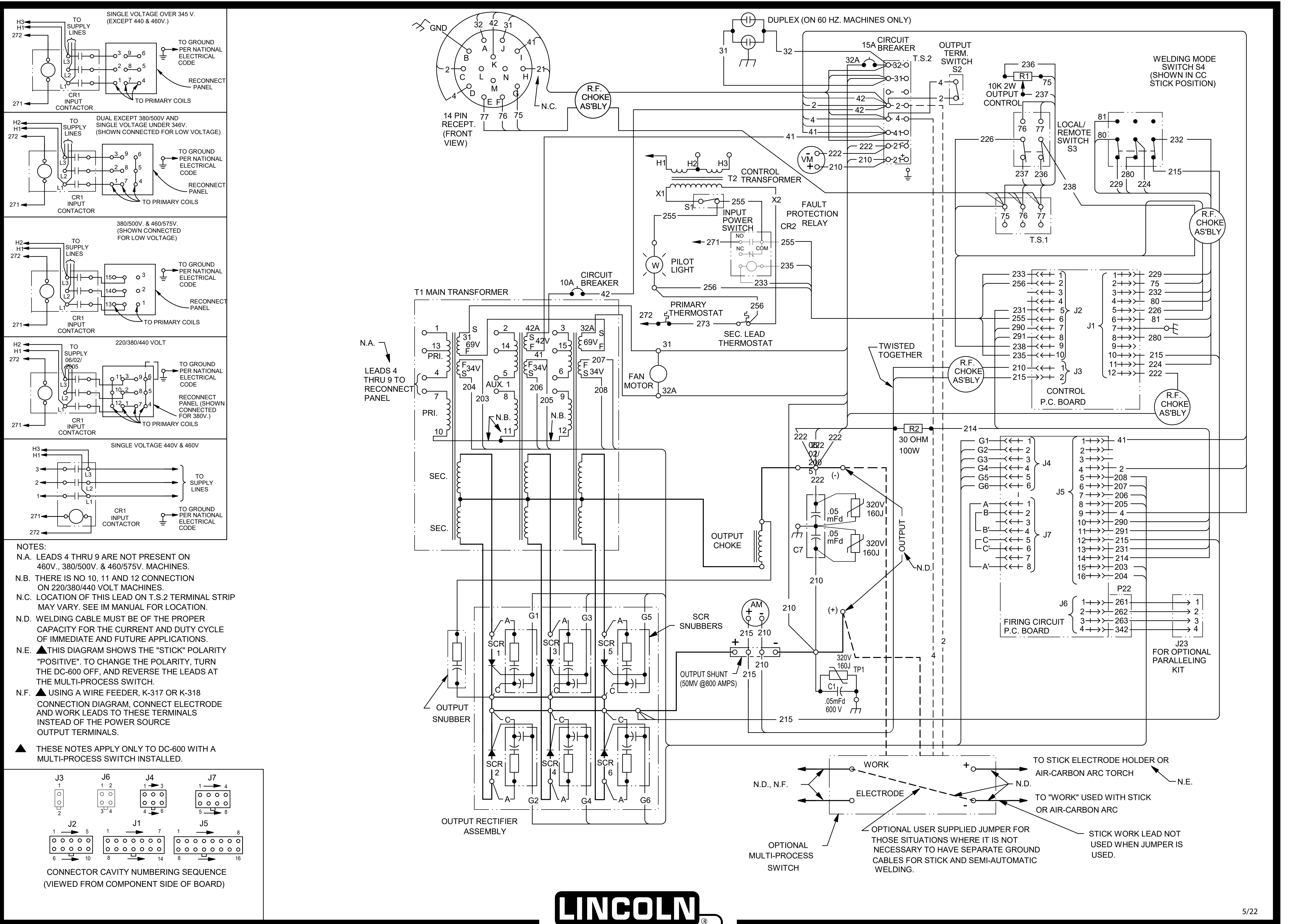
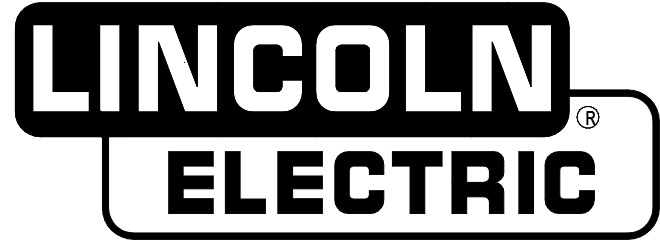
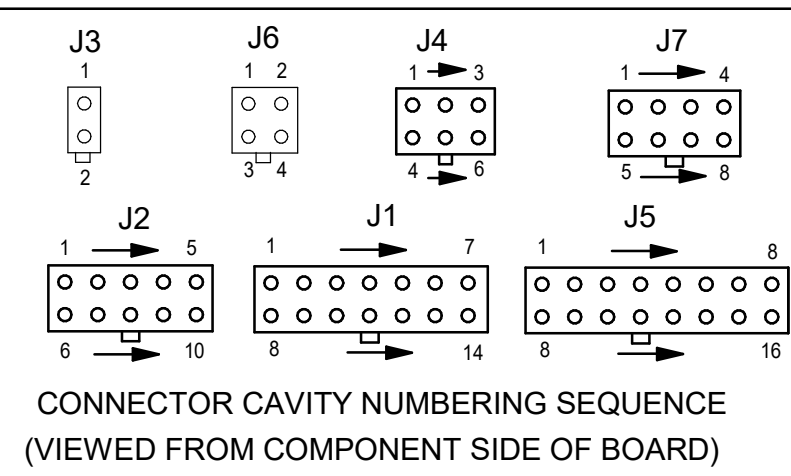


# DC-600 WIRING DIAGRAM G3506 REV: E



- NOTES:**
- N.A. LEADS 4 THRU 9 ARE NOT PRESENT ON 460V., 380/500V. & 460/575V. MACHINES.
  - N.B. THERE IS NO 10, 11 AND 12 CONNECTION ON 220/380/440 VOLT MACHINES.
  - N.C. LOCATION OF THIS LEAD ON T.S.2 TERMINAL STRIP MAY VARY. SEE IM MANUAL FOR LOCATION.
  - N.D. WELDING CABLE MUST BE OF THE PROPER CAPACITY FOR THE CURRENT AND DUTY CYCLE OF IMMEDIATE AND FUTURE APPLICATIONS.
  - N.E. ▲ THIS DIAGRAM SHOWS THE "STICK" POLARITY "POSITIVE". TO CHANGE THE POLARITY, TURN THE DC-600 OFF, AND REVERSE THE LEADS AT THE MULTI-PROCESS SWITCH.
  - N.F. ▲ USING A WIRE FEEDER, K-317 OR K-318 CONNECTION DIAGRAM, CONNECT ELECTRODE AND WORK LEADS TO THESE TERMINALS INSTEAD OF THE POWER SOURCE OUTPUT TERMINALS.
  - ▲ THESE NOTES APPLY ONLY TO DC-600 WITH A MULTI-PROCESS SWITCH INSTALLED.



CLEVELAND, OHIO U.S.A.