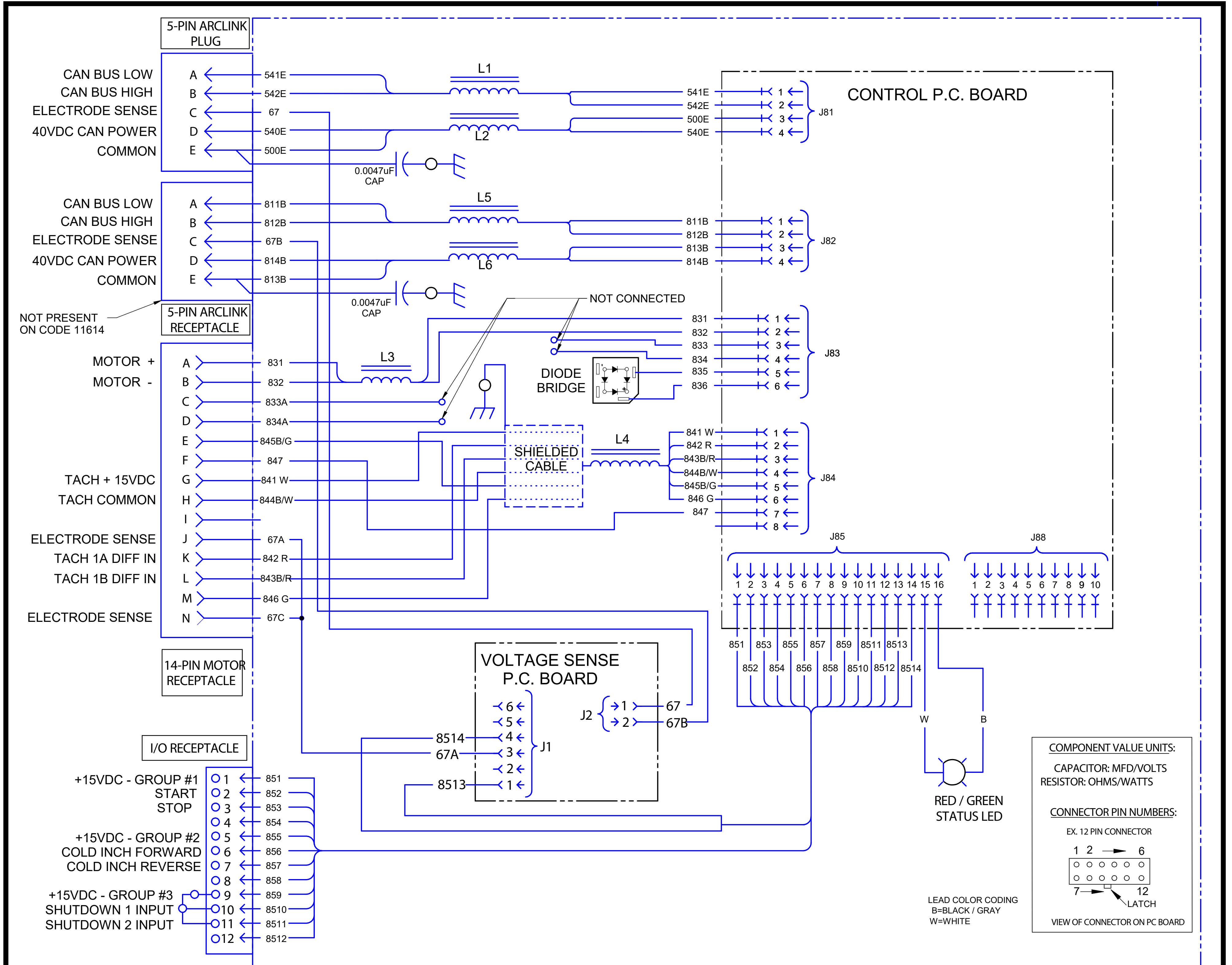


MAXsa 19 WIRING DIAGRAM G8065 REV: A



COMPONENT VALUE UNITS:
 CAPACITOR: MFD/VOLTS
 RESISTOR: OHMS/WATTS

CONNECTOR PIN NUMBERS:
 EX. 12 PIN CONNECTOR

VIEW OF CONNECTOR ON PC BOARD

RED / GREEN STATUS LED

LEAD COLOR CODING
 B=BLACK / GRAY
 W=WHITE

