

## Operator's Manual

# Classic<sup>®</sup> 300 MP



For use with machines having Code Numbers:  
**12423**



**Register your machine:**  
[www.lincolnelectric.com/register](http://www.lincolnelectric.com/register)

**Authorized Service and Distributor Locator:**  
[www.lincolnelectric.com/locator](http://www.lincolnelectric.com/locator)

### Save for future reference

Date Purchased

Code: (ex: 10859)

Serial: (ex: U1060512345)

**Need Help? Call 1.888.935.3877**  
to talk to a Service Representative

**Hours of Operation:**  
8:00 AM to 6:00 PM (ET) Mon. thru Fri.

**After hours?**  
Use "Ask the Experts" at [lincolnelectric.com](http://lincolnelectric.com)  
A Lincoln Service Representative will contact you  
no later than the following business day.

**For Service outside the USA:**  
Email: [globalservice@lincolnelectric.com](mailto:globalservice@lincolnelectric.com)

# THANK YOU FOR SELECTING A QUALITY PRODUCT BY LINCOLN ELECTRIC.

## PLEASE EXAMINE CARTON AND EQUIPMENT FOR DAMAGE IMMEDIATELY

When this equipment is shipped, title passes to the purchaser upon receipt by the carrier. Consequently, claims for material damaged in shipment must be made by the purchaser against the transportation company at the time the shipment is received.

## SAFETY DEPENDS ON YOU

Lincoln arc welding and cutting equipment is designed and built with safety in mind. However, your overall safety can be increased by proper installation ... and thoughtful operation on your part. **DO NOT INSTALL, OPERATE OR REPAIR THIS EQUIPMENT WITHOUT READING THIS MANUAL AND THE SAFETY PRECAUTIONS CONTAINED THROUGHOUT.** And, most importantly, think before you act and be careful.

### **WARNING**

This statement appears where the information must be followed exactly to avoid serious personal injury or loss of life.

### **CAUTION**

This statement appears where the information must be followed to avoid minor personal injury or damage to this equipment.



## KEEP YOUR HEAD OUT OF THE FUMES.

**DON'T** get too close to the arc. Use corrective lenses if necessary to stay a reasonable distance away from the arc.

**READ** and obey the Safety Data Sheet (SDS) and the warning label that appears on all containers of welding materials.

**USE ENOUGH VENTILATION** or exhaust at the arc, or both, to keep the fumes and gases from your breathing zone and the general area.

**IN A LARGE ROOM OR OUTDOORS**, natural ventilation may be adequate if you keep your head out of the fumes (See below).

**USE NATURAL DRAFTS** or fans to keep the fumes away from your face.

If you develop unusual symptoms, see your supervisor. Perhaps the welding atmosphere and ventilation system should be checked.



## WEAR CORRECT EYE, EAR & BODY PROTECTION

**PROTECT** your eyes and face with welding helmet properly fitted and with proper grade of filter plate (See ANSI Z49.1).

**PROTECT** your body from welding spatter and arc flash with protective clothing including woolen clothing, flame-proof apron and gloves, leather leggings, and high boots.

**PROTECT** others from splatter, flash, and glare with protective screens or barriers.

**IN SOME AREAS**, protection from noise may be appropriate.

**BE SURE** protective equipment is in good condition.

Also, wear safety glasses in work area **AT ALL TIMES.**



## SPECIAL SITUATIONS

**DO NOT WELD OR CUT** containers or materials which previously had been in contact with hazardous substances unless they are properly cleaned. This is extremely dangerous.

**DO NOT WELD OR CUT** painted or plated parts unless special precautions with ventilation have been taken. They can release highly toxic fumes or gases.

## Additional precautionary measures

**PROTECT** compressed gas cylinders from excessive heat, mechanical shocks, and arcs; fasten cylinders so they cannot fall.

**BE SURE** cylinders are never grounded or part of an electrical circuit.

**REMOVE** all potential fire hazards from welding area.

**ALWAYS HAVE FIRE FIGHTING EQUIPMENT READY FOR IMMEDIATE USE AND KNOW HOW TO USE IT.**



## SECTION A: WARNINGS



### CALIFORNIA PROPOSITION 65 WARNINGS



**WARNING:** Breathing diesel engine exhaust exposes you to chemicals known to the State of California to cause cancer and birth defects, or other reproductive harm.

- Always start and operate the engine in a well-ventilated area.
- If in an exposed area, vent the exhaust to the outside.
- Do not modify or tamper with the exhaust system.
- Do not idle the engine except as necessary.

For more information go to [www.P65warnings.ca.gov/diesel](http://www.P65warnings.ca.gov/diesel)

**WARNING:** This product, when used for welding or cutting, produces fumes or gases which contain chemicals known to the State of California to cause birth defects and, in some cases, cancer. (California Health & Safety Code § 25249.5 *et seq.*)



**WARNING:** Cancer and Reproductive Harm  
[www.P65warnings.ca.gov](http://www.P65warnings.ca.gov)

**ARC WELDING CAN BE HAZARDOUS. PROTECT YOURSELF AND OTHERS FROM POSSIBLE SERIOUS INJURY OR DEATH. KEEP CHILDREN AWAY. PACEMAKER WEARERS SHOULD CONSULT WITH THEIR DOCTOR BEFORE OPERATING.**

Read and understand the following safety highlights. For additional safety information, it is strongly recommended that you purchase a copy of "Safety in Welding & Cutting - ANSI Standard Z49.1" from the American Welding Society, P.O. Box 351040, Miami, Florida 33135 or CSA Standard W117.2. A Free copy of "Arc Welding Safety" booklet E205 is available from the Lincoln Electric Company, 22801 St. Clair Avenue, Cleveland, Ohio 44117-1199.

**BE SURE THAT ALL INSTALLATION, OPERATION, MAINTENANCE AND REPAIR PROCEDURES ARE PERFORMED ONLY BY QUALIFIED INDIVIDUALS.**



### FOR ENGINE POWERED EQUIPMENT.

- Turn the engine off before troubleshooting and maintenance work unless the maintenance work requires it to be running.
- Operate engines in open, well-ventilated areas or vent the engine exhaust fumes outdoors.
- Do not add the fuel near an open flame welding arc or when the engine is running. Stop the engine and allow it to cool before refueling to prevent spilled fuel from vaporizing on contact



with hot engine parts and igniting. Do not spill fuel when filling tank. If fuel is spilled, wipe it up and do not start engine until fumes have been eliminated.

- Keep all equipment safety guards, covers and devices in position and in good repair. Keep hands, hair, clothing and tools away from V-belts, gears, fans and all other moving parts when starting, operating or repairing equipment.
- In some cases it may be necessary to remove safety guards to perform required maintenance. Remove guards only when necessary and replace them when the maintenance requiring their removal is complete. Always use the greatest care when working near moving parts.
- Do not put your hands near the engine fan. Do not attempt to override the governor or idler by pushing on the throttle control rods while the engine is running.
- To prevent accidentally starting gasoline engines while turning the engine or welding generator during maintenance work, disconnect the spark plug wires, distributor cap or magneto wire as appropriate.
- To avoid scalding, do not remove the radiator pressure cap when the engine is hot.



### ELECTRIC AND MAGNETIC FIELDS MAY BE DANGEROUS



- Electric current flowing through any conductor causes localized Electric and Magnetic Fields (EMF). Welding current creates EMF fields around welding cables and welding machines
- EMF fields may interfere with some pacemakers, and welders having a pacemaker should consult their physician before welding.
- Exposure to EMF fields in welding may have other health effects which are now not known.
- All welders should use the following procedures in order to minimize exposure to EMF fields from the welding circuit:
  - Route the electrode and work cables together - Secure them with tape when possible.
  - Never coil the electrode lead around your body.
  - Do not place your body between the electrode and work cables. If the electrode cable is on your right side, the work cable should also be on your right side.
  - Connect the work cable to the workpiece as close as possible to the area being welded.
  - Do not work next to welding power source.



## ELECTRIC SHOCK CAN KILL.



- 3.a. The electrode and work (or ground) circuits are electrically “hot” when the welder is on. Do not touch these “hot” parts with your bare skin or wet clothing. Wear dry, hole-free gloves to insulate hands.
- 3.b. Insulate yourself from work and ground using dry insulation. Make certain the insulation is large enough to cover your full area of physical contact with work and ground.

**In addition to the normal safety precautions, if welding must be performed under electrically hazardous conditions (in damp locations or while wearing wet clothing; on metal structures such as floors, gratings or scaffolds; when in cramped positions such as sitting, kneeling or lying, if there is a high risk of unavoidable or accidental contact with the workpiece or ground) use the following equipment:**

- Semiautomatic DC Constant Voltage (Wire) Welder.
  - DC Manual (Stick) Welder.
  - AC Welder with Reduced Voltage Control.
- 3.c. In semiautomatic or automatic wire welding, the electrode, electrode reel, welding head, nozzle or semiautomatic welding gun are also electrically “hot”.
  - 3.d. Always be sure the work cable makes a good electrical connection with the metal being welded. The connection should be as close as possible to the area being welded.
  - 3.e. Ground the work or metal to be welded to a good electrical (earth) ground.
  - 3.f. Maintain the electrode holder, work clamp, welding cable and welding machine in good, safe operating condition. Replace damaged insulation.
  - 3.g. Never dip the electrode in water for cooling.
  - 3.h. Never simultaneously touch electrically “hot” parts of electrode holders connected to two welders because voltage between the two can be the total of the open circuit voltage of both welders.
  - 3.i. When working above floor level, use a safety belt to protect yourself from a fall should you get a shock.
  - 3.j. Also see Items 6.c. and 8.



## ARC RAYS CAN BURN.



- 4.a. Use a shield with the proper filter and cover plates to protect your eyes from sparks and the rays of the arc when welding or observing open arc welding. Headshield and filter lens should conform to ANSI Z87.1 standards.
- 4.b. Use suitable clothing made from durable flame-resistant material to protect your skin and that of your helpers from the arc rays.
- 4.c. Protect other nearby personnel with suitable, non-flammable screening and/or warn them not to watch the arc nor expose themselves to the arc rays or to hot spatter or metal.



## FUMES AND GASES CAN BE DANGEROUS.



- 5.a. Welding may produce fumes and gases hazardous to health. Avoid breathing these fumes and gases. When welding, keep your head out of the fume. Use enough ventilation and/or exhaust at the arc to keep fumes and gases away from the breathing zone. **When welding hardfacing (see instructions on container or SDS) or on lead or cadmium plated steel and other metals or coatings which produce highly toxic fumes, keep exposure as low as possible and within applicable OSHA PEL and ACGIH TLV limits using local exhaust or mechanical ventilation unless exposure assessments indicate otherwise. In confined spaces or in some circumstances, outdoors, a respirator may also be required. Additional precautions are also required when welding on galvanized steel.**
- 5.b. The operation of welding fume control equipment is affected by various factors including proper use and positioning of the equipment, maintenance of the equipment and the specific welding procedure and application involved. Worker exposure level should be checked upon installation and periodically thereafter to be certain it is within applicable OSHA PEL and ACGIH TLV limits.
- 5.c. Do not weld in locations near chlorinated hydrocarbon vapors coming from degreasing, cleaning or spraying operations. The heat and rays of the arc can react with solvent vapors to form phosgene, a highly toxic gas, and other irritating products.
- 5.d. Shielding gases used for arc welding can displace air and cause injury or death. Always use enough ventilation, especially in confined areas, to insure breathing air is safe.
- 5.e. Read and understand the manufacturer’s instructions for this equipment and the consumables to be used, including the Safety Data Sheet (SDS) and follow your employer’s safety practices. SDS forms are available from your welding distributor or from the manufacturer.
- 5.f. Also see item 1.b.



## WELDING AND CUTTING SPARKS CAN CAUSE FIRE OR EXPLOSION.



- 6.a. Remove fire hazards from the welding area. If this is not possible, cover them to prevent the welding sparks from starting a fire. Remember that welding sparks and hot materials from welding can easily go through small cracks and openings to adjacent areas. Avoid welding near hydraulic lines. Have a fire extinguisher readily available.
- 6.b. Where compressed gases are to be used at the job site, special precautions should be used to prevent hazardous situations. Refer to "Safety in Welding and Cutting" (ANSI Standard Z49.1) and the operating information for the equipment being used.
- 6.c. When not welding, make certain no part of the electrode circuit is touching the work or ground. Accidental contact can cause overheating and create a fire hazard.
- 6.d. Do not heat, cut or weld tanks, drums or containers until the proper steps have been taken to insure that such procedures will not cause flammable or toxic vapors from substances inside. They can cause an explosion even though they have been "cleaned". For information, purchase "Recommended Safe Practices for the Preparation for Welding and Cutting of Containers and Piping That Have Held Hazardous Substances", AWS F4.1 from the American Welding Society (see address above).
- 6.e. Vent hollow castings or containers before heating, cutting or welding. They may explode.
- 6.f. Sparks and spatter are thrown from the welding arc. Wear oil free protective garments such as leather gloves, heavy shirt, cuffless trousers, high shoes and a cap over your hair. Wear ear plugs when welding out of position or in confined places. Always wear safety glasses with side shields when in a welding area.
- 6.g. Connect the work cable to the work as close to the welding area as practical. Work cables connected to the building framework or other locations away from the welding area increase the possibility of the welding current passing through lifting chains, crane cables or other alternate circuits. This can create fire hazards or overheat lifting chains or cables until they fail.
- 6.h. Also see item 1.c.
- 6.i. Read and follow NFPA 51B "Standard for Fire Prevention During Welding, Cutting and Other Hot Work", available from NFPA, 1 Batterymarch Park, PO box 9101, Quincy, MA 022690-9101.
- 6.j. Do not use a welding power source for pipe thawing.



## CYLINDER MAY EXPLODE IF DAMAGED.



- 7.a. Use only compressed gas cylinders containing the correct shielding gas for the process used and properly operating regulators designed for the gas and pressure used. All hoses, fittings, etc. should be suitable for the application and maintained in good condition.
- 7.b. Always keep cylinders in an upright position securely chained to an undercarriage or fixed support.
- 7.c. Cylinders should be located:
  - Away from areas where they may be struck or subjected to physical damage.
  - A safe distance from arc welding or cutting operations and any other source of heat, sparks, or flame.
- 7.d. Never allow the electrode, electrode holder or any other electrically "hot" parts to touch a cylinder.
- 7.e. Keep your head and face away from the cylinder valve outlet when opening the cylinder valve.
- 7.f. Valve protection caps should always be in place and hand tight except when the cylinder is in use or connected for use.
- 7.g. Read and follow the instructions on compressed gas cylinders, associated equipment, and CGA publication P-1, "Precautions for Safe Handling of Compressed Gases in Cylinders," available from the Compressed Gas Association, 14501 George Carter Way Chantilly, VA 20151.



## FOR ELECTRICALLY POWERED EQUIPMENT.



- 8.a. Turn off input power using the disconnect switch at the fuse box before working on the equipment.
- 8.b. Install equipment in accordance with the U.S. National Electrical Code, all local codes and the manufacturer's recommendations.
- 8.c. Ground the equipment in accordance with the U.S. National Electrical Code and the manufacturer's recommendations.

**Refer to**  
**<http://www.lincolnelectric.com/safety>**  
**for additional safety information.**

## PRÉCAUTIONS DE SÛRETÉ

Pour votre propre protection lire et observer toutes les instructions et les précautions de sûreté spécifiques qui paraissent dans ce manuel aussi bien que les précautions de sûreté générales suivantes:

### Sûreté Pour Soudage A L'Arc

1. Protégez-vous contre la secousse électrique:
  - a. Les circuits à l'électrode et à la pièce sont sous tension quand la machine à souder est en marche. Eviter toujours tout contact entre les parties sous tension et la peau nue ou les vêtements mouillés. Porter des gants secs et sans trous pour isoler les mains.
  - b. Faire très attention de bien s'isoler de la masse quand on soude dans des endroits humides, ou sur un plancher métallique ou des grilles métalliques, principalement dans les positions assis ou couché pour lesquelles une grande partie du corps peut être en contact avec la masse.
  - c. Maintenir le porte-électrode, la pince de masse, le câble de soudage et la machine à souder en bon et sûr état de fonctionnement.
  - d. Ne jamais plonger le porte-électrode dans l'eau pour le refroidir.
  - e. Ne jamais toucher simultanément les parties sous tension des porte-électrodes connectés à deux machines à souder parce que la tension entre les deux pinces peut être le total de la tension à vide des deux machines.
  - f. Si on utilise la machine à souder comme une source de courant pour soudage semi-automatique, ces précautions pour le porte-électrode s'appliquent aussi au pistolet de soudage.
2. Dans le cas de travail au dessus du niveau du sol, se protéger contre les chutes dans le cas où on recoit un choc. Ne jamais enrouler le câble-électrode autour de n'importe quelle partie du corps.
3. Un coup d'arc peut être plus sévère qu'un coup de soleil, donc:
  - a. Utiliser un bon masque avec un verre filtrant approprié ainsi qu'un verre blanc afin de se protéger les yeux du rayonnement de l'arc et des projections quand on soude ou quand on regarde l'arc.
  - b. Porter des vêtements convenables afin de protéger la peau de soudeur et des aides contre le rayonnement de l'arc.
  - c. Protéger l'autre personnel travaillant à proximité au soudage à l'aide d'écrans appropriés et non-inflammables.
4. Des gouttes de laitier en fusion sont émises de l'arc de soudage. Se protéger avec des vêtements de protection libres de l'huile, tels que les gants en cuir, chemise épaisse, pantalons sans revers, et chaussures montantes.
5. Toujours porter des lunettes de sécurité dans la zone de soudage. Utiliser des lunettes avec écrans latéraux dans les zones où l'on pique le laitier.

6. Eloigner les matériaux inflammables ou les recouvrir afin de prévenir tout risque d'incendie dû aux étincelles.
7. Quand on ne soude pas, poser la pince à un endroit isolé de la masse. Un court-circuit accidentel peut provoquer un échauffement et un risque d'incendie.
8. S'assurer que la masse est connectée le plus près possible de la zone de travail qu'il est pratique de le faire. Si on place la masse sur la charpente de la construction ou d'autres endroits éloignés de la zone de travail, on augmente le risque de voir passer le courant de soudage par les chaînes de levage, câbles de grue, ou autres circuits. Cela peut provoquer des risques d'incendie ou d'échauffement des chaînes et des câbles jusqu'à ce qu'ils se rompent.
9. Assurer une ventilation suffisante dans la zone de soudage. Ceci est particulièrement important pour le soudage de tôles galvanisées plombées, ou cadmiées ou tout autre métal qui produit des fumées toxiques.
10. Ne pas souder en présence de vapeurs de chlore provenant d'opérations de dégraissage, nettoyage ou pistolage. La chaleur ou les rayons de l'arc peuvent réagir avec les vapeurs du solvant pour produire du phosgène (gas fortement toxique) ou autres produits irritants.
11. Pour obtenir de plus amples renseignements sur la sûreté, voir le code "Code for safety in welding and cutting" CSA Standard W 117.2-1974.

## PRÉCAUTIONS DE SÛRETÉ POUR LES MACHINES À SOUDER À TRANSFORMATEUR ET À REDRESSEUR

1. Relier à la terre le châssis du poste conformément au code de l'électricité et aux recommandations du fabricant. Le dispositif de montage ou la pièce à souder doit être branché à une bonne mise à la terre.
2. Autant que possible, l'installation et l'entretien du poste seront effectués par un électricien qualifié.
3. Avant de faire des travaux à l'intérieur de poste, la débrancher à l'interrupteur à la boîte de fusibles.
4. Garder tous les couvercles et dispositifs de sûreté à leur place.

<b>Installation.....</b>	<b>Section A</b>
Technical Specifications.....	A-1
General Description.....	A-2
Design Features.....	A-2
Pre-Operation Installation.....	A-3
Safety Precautions.....	A-3
Exhaust Spark Arrester .....	A-3
Location/Ventilation.....	A-3
Angle of Operation.....	A-4
Machine Grounding.....	A-4
Lift Bail .....	A-4
Trailer.....	A-4
Vehicle Mounting.....	A-5
Polarity Control and Cable Sizes .....	A-5
Pre-Operation Service .....	A-5
Oil, Fuel .....	A-5
Cooling System .....	A-5
Battery Charging.....	A-6
Electrical Device Use with this Product .....	A-7
<b>Operation .....</b>	<b>Section B</b>
Engine Operation .....	B-1
Starting The Perkins Engine .....	B-1
High Altitude Operation, Stopping the Engine.....	B-1
Engine Break-In .....	B-2
Welder Operation .....	B-2
Duty Cycle .....	B-2
Current Control .....	B-2
How to Set Controls for Stick Welding.....	B-3
Gas-Shielding Flux-Cored Welding .....	B-4
Idler Operation, Auxiliary Power, Fuel Consumption Data .....	B-4
<b>Accessories .....</b>	<b>Section C</b>
Optional Features (Field Installed).....	C-1
<b>Maintenance.....</b>	<b>Section D</b>
Safety Precautions.....	D-1
General Instructions .....	D-1
Cooling System.....	D-1
Bearings .....	D-1
Commutator and Brushes .....	D-1
Nameplates .....	D-2
Engine Service Chart.....	D-3
GFCI Testing and Resetting Procedure .....	D-4
<b>Troubleshooting.....</b>	<b>Section E</b>
Safety Precautions .....	E-1
Welder Troubleshooting .....	E-2, E-3
Electronic Idler Troubleshooting Guide .....	E-4, E-5
Engine Troubleshooting Guide .....	E-6 thru E-8
Diagnostic LED Flash Codes .....	E-9
<b>Diagrams.....</b>	<b>Section F</b>
Wiring Diagrams.....	F-1
Dimension Print.....	F-2
<b>Parts List .....</b>	<b>parts.lincolnelectric.com</b>

**TECHNICAL SPECIFICATIONS - Classic® 300 MP**

<b>INPUT - DIESEL ENGINE</b>					
<b>Make/Model</b>	<b>Description</b>	<b>Speed (RPM)</b>	<b>Displacement</b>	<b>Starting System</b>	<b>Dry Capacities</b>
PERKINS 403F-15T EPA Tier 4 Compliant	3 Cylinder 24.7 HP(18.4kW) TURBO CHARGED DIESEL ENGINE	High Idle 1800 Low Idle 1440 Full Load 1800	91.47 cu. in (1.5 ltrs)	12VDC battery (Group 24, 650 cold crank amps) 2.0 KW Starter	Fuel: 16 gal. 60.6 L.  Oil: 6.34 Qtrs. 6.0 L.  Coolant: 7.76 Qts. 7.3 L.
			<b>Bore x Stroke</b>  3.3" x 3.5" (84mm x 90mm)		

<b>RATED OUTPUT @ 104°F(40°C) - WELDER</b>			
<b>DESCRIPTION</b>	<b>RATED DC OUTPUT * VOLTS @ RATED AMPS</b>	<b>Duty CYCLE</b>	<b>DC Current Range</b> <small>Fine adjustments in each range</small>
300 Amp DC Welder All Copper Windings Pure DC Power Generator	30V @ 250A 32V @ 300A 90V DC Max. OCV @ 1800RPM	100% 60%	40-350 AMP 220 - Max. 160-240 120-190 80-130 min - 90

<b>RATED OUTPUT @ 104°F(40°C) - GENERATOR</b>				
<b>Auxiliary Power <sup>(1)</sup></b>				
3,000 Watts Continuous, 60 Hz AC 26 Amps @ 120V 13 Amps @ 240V				
<b>PHYSICAL DIMENSIONS <sup>(2)</sup></b>				
<b>MODEL</b>	<b>HEIGHT</b>	<b>WIDTH</b>	<b>DEPTH</b>	<b>WEIGHT</b>
K4263-1	45.5 in. <sup>(2)</sup> (1156 mm)	24.3 in. (616 mm)	62.8 in. (1594 mm)	1419 lbs. (644 kg.)

\* Based on a 10 min. period.

(1) Output rating in watts is equivalent to volt-amperes at unity power factor. Output voltage is within ± 10% at all loads up to rated capacity. When welding near maximum posted output, available auxiliary power will be reduced.

(2) Height to top of exhaust elbow.



## GENERAL DESCRIPTION

The Classic® 300 MP is a heavy duty, engine driven, DC arc welding power source, capable of providing constant current output for stick welding or DC TIG welding and constant voltage output for wire welding. This welder is wound with all copper coils, rated at 300 amps/32 Volts, and provides other Classic® features such as improved door latches and stainless hinges. The Classic® 300 MP provides constant voltage output for running the LN-7, LN-23P, or LN-25 wire feeders.

The Classic® 300 MP has an Electronic Engine Protection System. In the event of sudden low oil pressure or high coolant temperature, the engine immediately shuts down. The Classic® 300 MP has a current range of 40-350 DC amps with output ratings as follows:  
 These units are also capable of providing 3 KVA of 120/240 volts of 60 cycle AC auxiliary power.

The Classic® 300 MP uses the Perkins 403F-15T Turbo Charged diesel engine.

## DESIGN FEATURES

RATED OUTPUT	DUTY CYCLE
250A @ 30V	100%
300A @ 32V	60%

### Control Panel

The upper control panel is equipped with a Mode selection switch and an "OCV Boost" switch. In CC mode, the welder controls consist of a "Current Range Selector" dial and a "Fine Current & OCV" dial located on the upper control panel at the exciter end of the machine. In CV mode the "Current Range Selector" dial controls inductance & the "Fine Current & OCV" dial becomes the wire voltage control.

The lower control panel is equipped with a "Start" button, an "Ignition" switch, an "Idler" control switch, a "Glow Plug" button for easier cold weather starting, a "CV Terminal" control switch and a "Wire Feeder Volt Meter Polarity" switch. The lower control panel also contains an engine coolant temperature gauge, an oil pressure gauge, a fuel / hour / LED indicator gauge which has a battery charging fault indicator and engine fault indicator built in. Auxiliary power consists of one 20 amp, 120VAC (5-20R) duplex receptacle with GFCI protection and one 15 amp, 240VAC (6-15R) receptacle, protected by 2 pole, 15 Amp breaker.

A 14-pin amphenol is included for voltage and output terminal control at wire feeder (42VAC not included). Also included is a 6-pin amphenol to connect a remote control cable.

**All Copper Windings** - For long life and dependable operation.

**Engine Idler** - The Classic® 300 MP is equipped with an electronic automatic engine idler. It automatically increases and decreases engine speed when starting and stopping welding or using auxiliary power.

A built-in time delay permits changing electrodes before the engine slows to its low idle speed. The "Idler" control switch on the panel locks the idler in high idle position when desired.

**Auxiliary Power** - 3.0 KVA of nominal 120/240V, 60Hz, AC. Output voltage is maintained within ± 10% at all loads up to rated capacity. (See Optional Features Section C for Power Plug Kit.)

### 120 V DUPLEX RECEPTACLE AND GFCI

A GFCI protects the 120V auxiliary power receptacle.

A GFCI (Ground Fault Circuit Interrupter) is a device to protect against electric shock should a piece of defective equipment connected to it develop a ground fault. If this situation should occur, the GFCI will trip, removing voltage from the output of the receptacle. If a GFCI is tripped see the MAINTENANCE section for detailed information on testing and resetting it. A GFCI should be properly tested at least once every month.

The 120 V auxiliary power receptacle should only be used with three wire grounded type plugs or approved double insulated tools with two wire plugs. The current rating of any plug used with the system must be at least equal to the current capacity of the associated receptacle.

### CUSTOM ARC (HIGH IDLE RPM (OCV) ADJUSTMENT)

A potentiometer is mounted on the control panel that allows the operator to adjust the high idle engine speed between 1650 & 1800 RPM. This is to allow further adjustment of the OCV.

**Welder Enclosure** - The complete welder is rubber mounted on a rugged steel “C” channel base.

The output terminals are placed at the side of the machines so that they are protected by the door. The output terminals are labeled (+), (-)CC & (-)CV.

**Cranking System** - A 12 volt electric starter is standard.

**Air Cleaner** - Heavy duty two stage dry type.

**Muffler** - A muffler and stainless steel exhaust outlet elbow are standard.

**Fuel / Hour / LED gauge** - A meter to record hours of operation, show fuel status, battery charging fault LED and engine fault LED.

**Engine Protection** - The system shuts the engine down in the event of sudden low oil pressure or high coolant temperature. A warning light on the control panel will indicate such a fault. To reset the engine for restarting, turn the ignition switch off then on. Refer to Troubleshooting section for all warning light fault codes.

**Battery Charging Light** - A warning indicator light for Low/No battery charge. The light is off when the systems are functioning properly. The light will come on if the alternator fails to charge but the machine will continue to run.

**NOTE:** The light will come on when the Run/Stop switch is in the “ON” position. It will come on during cranking and stay on until the engine starts. After, starting the engine the light will go off unless the alternator fails to provide a charge.

**Oil Drain Valve** - A ball valve, hose and clamp are standard.

**Remote Control** - The Remote Sense feature switches control to remote automatically when remote is connected to the 6-pin amphenol. The remote adjusts fine current & OCV in CC mode and wire voltage in CV mode. When a wire feeder with voltage adjustment is connected to the 14-pin amphenol using a control cable, the wire voltage control will automatically switch from either the control panel or remote (if connected).

**Cold Start Aid** - A block heater is included for extreme cold weather starting.



## WARNING

Do not attempt to use this equipment until you have thoroughly read the engine manufacturer’s manual supplied with your welder. It includes important safety precautions, detailed engine starting, operating and maintenance instructions, and parts lists.



**ELECTRIC SHOCK can kill.**

- Do not touch electrically live parts or electrode with skin or wet clothing.
- Insulate yourself from work and ground
- Always wear dry insulating gloves.



**ENGINE EXHAUST can kill.**

- Use in open, well ventilated areas or vent exhaust outside.



**MOVING PARTS can injure.**

- Do not operate with doors open or guards off.
- Stop engine before servicing.
- Keep away from moving parts.

**See additional warning information at the front of this operator’s manual.**

## PRE-OPERATION INSTALLATION

### EXHAUST SPARK ARRESTER

Some federal, state or local laws may require that engines be equipped with exhaust spark arresters when they are operated in certain locations where unarrested sparks may present a fire hazard. The standard muffler included with this welder does not qualify as a spark arrester. When required by local regulations, a suitable spark arrester must be installed and properly maintained.



## CAUTION

Use of an incorrect arrester may lead to engine damage or performance loss. Contact the engine manufacturer for specific recommendations.

### LOCATION / VENTILATION

Always operate the welder with the doors closed. Leaving the doors open changes the designed air flow and may cause overheating.

The welder should be located to provide an unrestricted flow of clean, cool air. Also, locate the welder so that engine exhaust fumes are properly vented to an outside area.

## ANGLE OF OPERATION

Engines are designed to run in the level condition which is where the optimum performance is achieved. The maximum angle of continuous operation is 25° degrees in all directions, 35° intermittent (less than 10 minutes continuous) in all directions.




### CAUTION

#### DO NOT MOUNT OVER COMBUSTIBLE SURFACES.

Where there is a combustible surface directly under stationary or fixed electrical equipment, the surface shall be covered with a steel plate at least .06”(1.6mm) thick, which shall extend not more than 5.90”(150mm) beyond the equipment on all sides.

## MACHINE GROUNDING

According to the United States National Electrical Code, the frame of this portable generator is not required to be grounded and is permitted to serve as the grounding means for cord connected equipment plugged into its receptacle.

Some state, local, or other codes or unusual operating circumstances may require the machine frame to be grounded. It is recommended that you determine the extent to which such requirements may apply to your particular situation and follow them explicitly. A machine grounding stud marked with the symbol  is provided on the welding generator frame foot. In general, if the machine is to be grounded, it should be connected with a #8 or larger copper wire to a solid earth ground such as a metal water pipe going into the ground for at least ten feet and having no insulated joints, or to the metal framework of a building which has been effectively grounded. The U.S. National Code lists a number of alternate means of grounding electrical equipment.



### WARNING



- Lift only with equipment of adequate lifting capacity.
  - Be sure machine is stable when lifting.
  - Do not lift this machine using lift bail if it is equipped with a heavy accessory such as trailer or gas cylinder.
- FALLING EQUIPMENT can cause injury.**
- Do not lift machine if lift bail is damaged.
  - Do not operate machine while suspended from lift bail.

## LIFT BAIL

A lift bail is provided for lifting with a hoist.

## TRAILER (SEE OPTIONAL FEATURES)

If the user adapts a non-Lincoln trailer, he must assume responsibility that the method of attachment and usage does not result in a safety hazard nor damage the welding equipment. Some of the factors to be considered are as follows:

1. Design capacity of trailer vs. weight of Lincoln equipment and likely additional attachments.
  2. Proper support of, and attachment to, the base of the welding equipment so there will be no undue stress to the framework.
  3. Proper placement of the equipment on the trailer to ensure stability side to side and front to back when being moved and when standing by itself while being operated or serviced.
  4. Typical conditions of use, i.e., travel speed, roughness of surface on which the trailer will be operated; environmental conditions, likely maintenance.
  5. Conformance with federal, state and local laws. (1)
- (1) Consult your federal, state and local laws regarding specific requirements for use on public highways.

**VEHICLE MOUNTING**

 **WARNING**

Improperly mounted concentrated loads may cause unstable vehicle handling and tires or other components to fail.

- Only transport this Equipment on serviceable vehicles which are rated and designed for such loads.
- Distribute, balance and secure loads so vehicle is stable under conditions of use.
- Do not exceed maximum rated loads for components such as suspension, axles and tires.
- Use appropriate nuts bolts and lockwashers to attach the equipment base to the metal bed or frame of vehicle.
- Follow vehicle manufacturer’s instructions.

**POLARITY CONTROL AND CABLE SIZES**

With the engine off, route the electrode and work cables through the strain relief bracket on the base and connect to the studs located below the fuel tank mounting rail. (See size recommendations below.) For **positive** polarity, connect the electrode cable to the terminal marked “+”. For **Negative** polarity, connect the electrode cable to the “-” stud. These connections should be checked periodically and tightened if necessary.

When welding at a considerable distance from the welder, be sure you use ample sized welding cables.

RECOMMENDED COPPER CABLE SIZES			
Amps	Duty Cycle	Cables Sizes for Combined Length of Electrode Plus Work Cable	
		Up to 200ft.(61m)	200 to 250ft. (61 to 76m)
250	100%	1	1/0
300	60%	1/0	2/0

**PRE-OPERATION SERVICE**

 **CAUTION**

READ the engine operating and maintenance instructions supplied with this machine.

 **WARNING**



- Stop engine while fueling.
- Do not smoke when fueling.
- Keep sparks and flame away from tank.
- Do not leave unattended while fueling.
- Wipe up spilled fuel and allow fumes to clear before starting engine.
- Do not overfill tank, fuel expansion may cause overflow.

**DIESEL FUEL**

can cause fire

**DIESEL FUEL ONLY**-Low sulphur fuel or ultra low sulphur fuel in U.S.A. and Canada.

**OIL**



This unit is supplied from the factory with the engine crankcase filled with a high quality SAE 10W/30 oil. This oil should be acceptable for most typical ambient temperatures. Consult the engine operation manual for specific engine manufacturer’s recommendations. Upon receipt of the welder, check the engine dipstick to be sure the oil is at the “full” mark. DO NOT overfill.

**FUEL**



Fill the fuel tank with the grade of fuel recommended in the Engine Operator’s manual. Make sure the fuel valve on the water separator is in the open position.

**COOLING SYSTEM**

The radiator has been filled at the factory with a 50-50 mixture of ethylene glycol antifreeze and water. Check the radiator level and add a 50-50 solution as needed (see engine manual or antifreeze container for alternate antifreeze recommendations).



## WARNING



**GASES FROM BATTERY** can explode.

- Keep sparks, flame and cigarettes away.



**BATTERY ACID** can burn eyes and skin.

- Wear gloves and eye protection and be careful when boosting, charging or working near battery.

**To prevent EXPLOSION when:**

- Installing a new battery - disconnect the negative cable from the old battery first and connect the negative cable to the new battery last.
- Connecting a battery charger - remove the battery from the welder by disconnecting the negative cable first, then the positive cable and battery clamp. When reinstalling, connect the negative cable last.
- Using a booster - connect the positive lead to the battery first, then connect the negative lead to the ground lead on the base.

**To prevent ELECTRICAL DAMAGE when:**

- Installing a new battery.
- Using a booster.

**Use correct polarity - Negative Ground.**

**To prevent BATTERY DISCHARGE, if you have an ignition switch, turn it off when engine is not running.**

- **To prevent BATTERY BUCKLING, tighten nuts on battery clamp until snug.**

### BATTERY CHARGING

The Classic® 300 MP is equipped with a wet charged battery. The charging current is automatically regulated when the battery is low (after starting the engine) to a trickle current when the battery is fully charged.

When replacing, jumping or otherwise connecting the battery to the battery cables, the proper polarity must be observed. This system is **NEGATIVE GROUND**.

 **CAUTION**

Certain Electrical devices cannot be powered to this Product. See Table A.1

**TABLE A.1  
ELECTRICAL DEVICE USE WITH THIS PRODUCT**

Type	Common Electrical Devices	Possible Concerns
Resistive	Heaters, toasters, incandescent light bulbs, electric range, hot pan, skillet, coffee maker.	NONE
Capacitive	TV sets, radios, microwaves, appliances with electrical control.	Voltage spikes or high voltage regulation can cause the capacitive elements to fail. Surge protection, transient protection, and additional loading is recommended for 100% fail-safe operation. <b>DO NOT RUN THESE DEVICES WITHOUT ADDITIONAL RESISTIVE TYPE LOADS.</b>
Inductive	Single-phase induction motors, drills, well pumps, grinders, small refrigerators, weed and hedge trimmers.	These devices require large current inrush for starting. Some synchronous motors may be frequency sensitive to attain maximum output torque, but they <b>SHOULD BE SAFE</b> from any frequency induced failures.
Capacitive / Inductive	Computers, high resolution TV sets, complicated electrical equipment.	An inductive type line conditioner along with transient and surge protection is required, and liabilities still exist. <b>DO NOT USE THESE DEVICES WITH THIS PRODUCT.</b>

**The Lincoln Electric Company is not responsible for any damage to electrical components improperly connected to this product.**

## ENGINE OPERATION



### WARNING

Do not attempt to use this equipment until you have thoroughly read the engine manufacturer's manual supplied with your welder. It includes important safety precautions, detailed engine starting, operating and maintenance instructions, and parts lists.



#### ELECTRIC SHOCK can kill.

- Do not touch electrically live parts or electrode with skin or wet clothing.
- Insulate yourself from work and ground
- Always wear dry insulating gloves.



#### ENGINE EXHAUST can kill.

- Use in open, well ventilated areas or vent exhaust outside.



#### MOVING PARTS can injure.

- Do not operate with doors open or guards off.
- Stop engine before servicing.
- Keep away from moving parts.

See additional warning information at the front of this operator's manual.

Operate the welder with the doors closed. Leaving the doors open changes the designed air flow and can cause overheating.

### STARTING THE CLASSIC® 300 MP PERKINS 403F-15T DIESEL ENGINE

1. Turn the "IDLER" switch to "HIGH".
2. Turn the "IGNITION" switch to "ON".
3. Press the Glow Plug button for 20 to 30 seconds. (maximum 60 seconds).
4. Press the Start button. When the engine starts running, release both buttons. If the engine fails to start in 20 seconds, wait 30 seconds and repeat the above procedure.
5. Observe the oil pressure. If no pressure shows within 30 seconds, stop the engine and consult the engine operating manual. To stop the engine, turn the "IGNITION" switch to "OFF".
6. If the engine protection warning light comes on during cranking or after start up, the "IGNITION" switch must be turned "OFF" to reset the engine protection system.

7. Allow the engine to run at high idle speed for several minutes to warm the engine. Stop the engine and recheck the oil level, after allowing sufficient time for the oil to drain into the pan. If the level is down, fill it to the full mark again. The engine controls were properly set at the factory and should require no adjusting when received.

#### COLD WEATHER STARTING:

With a fully charged battery and the proper weight oil, the engine should start satisfactorily even down to about -5°F (-20°C), below this it may be desirable to use the included block heater.

Note: Cold weather starting may require longer glow plug operation.



### WARNING

Under **NO** conditions should ether or other starting fluids be used!

#### HIGH ALTITUDE OPERATION:

At higher altitudes, output derating may be necessary. For maximum rating, derate the welder 2% for every 305 meters (1000 ft.) above 1524 meters (5000 ft.).

Contact a Perkins Service Representative for any engine adjustments that may be required.

#### STOPPING THE ENGINE

1. Turn the "IGNITION" switch to "OFF"

At the end of each day's welding, check the crankcase oil level, drain accumulated dirt and water from the water separator located on the fuel rail. Refill the fuel tank to minimize moisture condensation in the tank. Also, running out of fuel tends to draw dirt into the fuel system.

When hauling the welder between job sites, close the fuel feed valve on the separator located on the fuel rail.

If the fuel supply is cut off or runs out while the fuel pump is operating, air may be entrapped in the fuel distribution system. If this happens, bleeding of the fuel system may be necessary. Use qualified personnel to do this per the instructions in the MAINTENANCE section of this manual.

## ENGINE BREAK-IN

Lincoln Electric selects high quality, heavy-duty industrial engines for the portable welding machines we offer. While it is normal to see a small amount of crankcase oil consumption during initial operation, excessive oil use, wet stacking (oil or tar like substance at the exhaust port), or excessive smoke is not normal.

Larger machines with a capacity of 350 amperes and higher, which are operated at low or no-load conditions for extended periods of time are especially susceptible to the conditions described above. To accomplish successful engine break-in, most diesel-powered equipment needs only to be run at a reasonably heavy load within the rating of the welder for some period of time during the engine's early life. However, if the welder is subjected to extensive light loading, occasional moderate to heavy loading of the engine may sometimes be necessary. Caution must be observed in correctly loading a diesel/generator unit.

1. Connect the welder output studs to a suitable resistive load bank. Note that any attempt to short the output studs by connecting the welding leads together, direct shorting of the output studs, or connecting the output leads to a length of steel will result in catastrophic damage to the generator and voids the warranty.
2. Set the welder controls for an output current and voltage within the welder rating and duty cycle. Note that any attempt to exceed the welder rating or duty cycle for any period of time will result in catastrophic damage to the generator and voids the warranty.
3. Periodically shut off the engine and check the crankcase oil level.

## WELDER OPERATION



### WARNING



**ELECTRIC SHOCK can kill.**

- Do not touch electrically live parts or electrode with skin or wet clothing.
- Insulate yourself from work and ground.



**FUMES & GASES can be dangerous.**

- Keep your head out of the fumes.
- Use ventilation or exhaust to remove fumes from breathing zone.



**WELDING SPARKS can cause fire or explosion.**



- Keep flammable material away.

**ARC RAYS can burn.**

- Wear eye, ear, and body protection.

### DUTY CYCLE

The NEMA output rating of the Classic® 300 MP is 300 amperes at 32 arc volts on a 60% duty cycle (consult Specifications in this manual for alternate ratings). Duty cycle is based on a ten minute period; thus, the welder can be loaded at rated output for six minutes out of every ten minute period.



### CAUTION

#### Control of Welding Current

**DO NOT TURN THE "CURRENT RANGE SELECTOR" WHILE WELDING** because the current may arc between the contacts and damage the switch.

The "Current Range Selector" provides five overlapping current ranges. The "Fine Current Adjustment & OCV" adjusts the current from minimum to maximum within each range. Open circuit voltage is also controlled by the "Fine Current Adjustment" permitting control of the arc characteristics.

A high open circuit voltage setting provides the soft "buttering" arc with best resistance to pop-outs preferred for most welding. To get this characteristic, set the "Current Range Selector" to the lowest setting that still provides the current you need and set the "Fine Current Adjustment & OCV" near maximum. For example: to obtain 175 amps and a soft arc, set the "Current Range Selector" to the 190-120 position and then adjust the "Fine Current Adjustment & OCV" for 175 amps.

#### K857-1 and K2627-2

Remote Control unit can also be used as the Right Dial (Fine Current and OCV or wire voltage).





When a forceful “digging” arc is required, usually for vertical and overhead welding, use a higher “Current Range Selector” setting and lower open circuit voltage. For example: to obtain 175 amps and a forceful arc, set the “Current Range Selector” to the 240-160 position and the “Fine Current Adjustment” setting to get 175 amps.

OCV boost increases OCV at lower fine current settings & is recommended for stick welding. Position the “OCV Boost” switch to “Classic”. When low OCV at low fine current settings is desired such as when TIG welding.

Some arc instability may be experienced with EXX10 electrodes when trying to operate with long arc techniques at settings at the lower end of the open circuit voltage range.

### CAUTION

**DO NOT attempt to set the “Current Range Selector” between the five points designated on the nameplate.**

---

These switches have a spring loaded cam which almost eliminates the possibility of setting this switch between the designated points.

**Gas-Shielded Flux-Cored Welding**

Start by setting the Wire (CV) / Stick (CC) toggle switch to the Wire (CV) position. Then set the left-side “Current Range Selector” to “190-120” tap. Now move the Voltage Adjustment dial to the desired voltage. Move the “Current Range Selector” to the left for a softer arc and to the right for a crisper arc.

**MIG Welding**

Start by setting the Wire (CV) / Stick (CC) toggle switch to the Wire (CV) position. Then set the left-side “Current Range Selector” to “190-120” tap. Now move the Voltage Adjustment dial to the desired voltage. Move the “Current Range Selector” to the left for a softer arc and to the right for a crisper arc.



**Carbon Arc Gouging**

Set both the Coarse Current and Fine Current O.C.V controls to maximum for carbon arc gouging in the CC (constant current) mode. If the CV (constant voltage) mode is desired, set the Wire (CV) / Stick (CC) toggle switch to the Wire (CV) position. Then set the left-side “Current Range Selector” to “220-MAX” tap and the Voltage Adjustment dial to maximum output.

**IDLER OPERATION**

Start the engine with the “Idler” switch in the “High” position. Allow it to run at high idle speed for several minutes to warm the engine. See Specifications for operating speeds.

The idler is controlled by the “Idler” toggle switch on the welder control panel. The switch has two positions as follows:

1. In the “High”  position, the idler solenoid deactivates, and the engine goes to high idle speed. The speed is controlled by the governor.
2. In the “Auto”  position, the idler operates as follows:

- a. When welding or drawing power for lights or tools (approximately 100 watts minimum) from the receptacles, the idler solenoid deactivates and the engine operates at high idle speed.
- b. When welding ceases or the power load is turned off, a pre-set time delay of about 15 seconds starts. This time delay cannot be adjusted.
- c. If the welding or power load is not re-started before the end of the time delay, the idler solenoid activates and reduces the engine to low idle speed.

**AUXILIARY POWER**

If GFCI is tripped, See the MAINTENANCE section for detailed information on testing and resetting the GFCI

The AC auxiliary power, supplied as a standard, has a rating of 3.0 KVA of 120/240 VAC (60 hertz). Set fine current adjustment at 100 for maximum auxiliary power. Also set “Custom Arc” dial at maximum for maximum auxiliary power.

With the 3.0 KVA, 120/240 VAC auxiliary power, one 120V duplex protected by GFCI and one 240V duplex, grounding type receptacle with 2 pole, 15 amp circuit breaker.

The rating of 3.0 KVA permits a maximum continuous current of 13 amps to be drawn from the 240V duplex receptacle. 20 amps can be drawn from the 120V duplex receptacle. The total combined load of all receptacles is not to exceed 3.0 KVA.

An optional power plug kit is available. When this kit is specified, the customer is supplied with a plug for each receptacle.

**CLASSIC® 300 MP WITH PERKINS 403F-15F DIESEL ENGINE TYPICAL FUEL CONSUMPTION DATA**

Low Idle-No Load	0.22gal/hr ( 0.84 ltrs/hr)
High Idle-No Load	0.35 gal/hr ( 1.33 ltrs/hr)
3,000 Watts	0.43 gal/hr ( 1.64 ltrs/hr)
150 Amps @ 26 Volts	0.53 gal/hr ( 2.01 ltrs/hr )
200 Amps @ 28 Volts	0.63 gal/hr ( 2.39 ltrs/hr )
250 Amps @ 30 Volts	0.94 gal/hr ( 3.55 ltrs/hr)
300 Amps @ 32 Volts	1.19 gal/hr ( 4.49 ltrs/hr)

**OPTIONAL FEATURES** (Field Installed)**GENERAL OPTIONS** **WARNING**

Pipe Thawing with an arc welder can cause fire, explosion, damage to electric wiring or to the arc welder if done improperly. The use of an arc welder for pipe thawing is not approved by the CSA, nor is it recommended or supported by Lincoln Electric.

**FIELD INSTALLED OPTIONAL  
ACCESSORIES**

Follow these steps:

1. Go to [www.lincolnelectric.com](http://www.lincolnelectric.com).
2. At the top of the screen in the **Search** field type **CLASSIC 300 MP** click on **Search** icon.
3. On the results screen click on **CLASSIC® 300 MP** product information.
4. On the results screen which shows **CLASSIC® 300 MP** sales literature document, scroll down the beginning of the **RECOMMENDED OPTIONS** page.

## SAFETY PRECAUTIONS



### WARNING

Have qualified personnel do the maintenance work. Turn the engine off before working inside the machine. In some cases, it may be necessary to remove safety guards to perform required maintenance. Remove guards only when necessary and replace them when the maintenance requiring their removal is complete. Always use the greatest care when working near moving parts.

Do not put your hands near the engine cooling blower fan. If a problem cannot be corrected by following the instructions, take the machine to the nearest Lincoln Field

Service Shop.



**ELECTRIC SHOCK can kill.**

- Do not touch electrically live parts or electrode with skin or wet clothing.
- Insulate yourself from work and ground
- Always wear dry insulating gloves.



**ENGINE EXHAUST can kill.**

- Use in open, well ventilated areas or vent exhaust outside.



**MOVING PARTS can injure.**

- Do not operate with doors open or guards off.

- Stop engine before servicing.
- Keep away from moving parts.

See additional warning information at front of this operator's manual.

### GENERAL INSTRUCTIONS

1. Blow out the welder and controls with an air hose at least once every two months. In particularly dirty locations, this cleaning may be necessary once a week. Use low pressure air to avoid driving dirt into the insulation.
2. Follow the engine service schedule in this manual and the detailed maintenance and troubleshooting in the engine manufacturer's manual.

### COOLING SYSTEM

The Classic® 300 MP is equipped with a pressure radiator. Keep the radiator cap tight to prevent loss of coolant. Clean and flush the cooling system periodically to prevent clogging the passage and overheating the engine. When antifreeze is needed, always use the permanent type.

### BEARINGS

This welder is equipped with a double synthetic sealed ball bearing having sufficient grease to last indefinitely under normal service.

### COMMUTATOR AND BRUSHES



### WARNING

Uncovered rotating equipment can be dangerous. Use care so your hands, hair, clothing or tools do not catch in the rotating parts. Protect yourself from particles that may be thrown out by the rotating armature when stoning the commutator.

Shifting of the commutator brushes may result in:

- Change in machine output
- Commutator damage
- Excessive brush wear

Periodically inspect the commutator, slip rings, and brushes by removing the covers. DO NOT remove or replace these covers while the machine is running. Commutators and slip rings require little attention. However, if the commutator is a flat black color or the color appears uneven have the commutator cleaned by an experienced maintenance man using fine sandpaper or a commutator stone. Never use emery cloth or paper for this purpose.

Replace brushes when they wear within 1/4" of the pigtail. A complete set of replacement brushes should be kept on hand. Lincoln brushes have a curved face to fit the commutator. Have an experienced maintenance person seat these brushes by lightly stoning the commutator as the armature rotates at full speed until contact is made across the full face of the brushes. After stoning, blow out the dust with low pressure air.

To seat slip ring brushes, position the brushes in place. Then slide one end of a piece of fine sandpaper between slip rings and brushes with the coarse side against the brushes. With slight additional finger pressure on top of the brushes, pull the sandpaper around the circumference of the rings - in direction of rotation only until brushes seat properly. In addition, stone slip ring with a fine stone. Brushes must be seated 100%.

Arcing or excessive exciter brush wear indicates a possible misaligned shaft. Have an authorized Field Service Shop check and realign the shaft.

## NAMEPLATES

Whenever routine maintenance is performed on this machine or at least yearly - inspect all nameplates and labels for legibility. Replace those which are no longer clear. Refer to the parts list for the replacement item number.

# ENGINE SERVICE

EVERY DAY OR EVERY 8 HOURS					MAINTENANCE ITEM	TYPE OR QUANTITY
FIRST SERVICE (20 / 50 HOURS)						
EVERY 100 HOURS OR 3 MONTHS					MAINTENANCE ITEM	TYPE OR QUANTITY
EVERY 200 HOURS OR 6 MONTHS						
EVERY 500 HOURS OR 12 MONTHS					MAINTENANCE ITEM	TYPE OR QUANTITY
EVERY 1000 HOURS OR ANNUALLY						
ENGINE SERVICE (NOTE 2)					MAINTENANCE ITEM	TYPE OR QUANTITY
I					Coolant level	
			I		Concentration of antifreeze	50/50 Water/Ethylene Glycol
				R	Coolant (NOTE 3)	7.76 qrts., 7.3L
I					Engine oil level (NOTE 1)	
	R		R		Engine oil (NOTE 1 & 3)	6.34 qrts., 6L (including filter)
	R		R		Engine oil filter	Perkins # 140517050 *
C					Drain water separator & fuel strainer	
			R		Water separator element	Lincoln # M20840-A *
			R		Fuel filter canister	Perkins # 130366120 *
			I		Tension of alternator drive belt	
			I		Alternator drive belt wear	
				R	Alternator drive belt	Perkins # 080109080
C					Air filter (earlier check may be req'd)	
			R		Air filter element	Donaldson # P821575 *
				R	Renew the engine breather	
				I	Tighten cylinder head	
				I	Valve clearances	Intake .008", exhaust .008"
				I	Electrical systems	
				I	All nuts and bolts for tightness	
				I	Injector performance	Contact Perkins
I					Leaks or engine damage	
				I	Battery	

I = Inspect C = Clean R = Replace

**Notes:**

- (1) Consult Engine Operators Manual for oil recommendations.
- (2) Consult Engine Operators Manual for additional maintenance schedule information.
- (3) Fill slowly! Ensure correct quantity is used.

Above operations to be carried out by trained personnel with reference to the workshop manual where necessary.

These preventative maintenance periods apply to average conditions of operation. If necessary use shorter periods.

**\* Items Included in K3598-1 engine service kit**

## GFCI TESTING AND RESETTING PROCEDURE

The GFCI should be properly tested at least once every month or whenever it is tripped. To properly test and reset the GFCI:

- If the GFCI has tripped, first carefully remove any load and check it for damage.
- If the equipment has been shut down, it must be restarted.
- The equipment needs to be operating at high idle speed and any necessary adjustments made on the control panel so that the equipment is providing at least 80 volts to the receptacle input terminals.
- The circuit breaker for this receptacle must not be tripped. Reset if necessary.
- Push the "Reset" button located on the GFCI. This will assure normal GFCI operation.
- Plug a night-light (with an "ON/OFF" switch) or other product (such as a lamp) into the Duplex receptacle and turn the product "ON".
- Push the "Test" button located on the GFCI. The night-light or other product should go "OFF".
- Push the "Reset" button, again. The light or other product should go "ON" again.

If the light or other product remains "ON" when the "Test" button is pushed, the GFCI is not working properly or has been incorrectly installed (miswired). If your GFCI is not working properly, contact a qualified, certified electrician who can assess the situation, rewire the GFCI if necessary or replace the device.

## HOW TO USE TROUBLESHOOTING GUIDE



### WARNING

Service and Repair should only be performed by Lincoln Electric Factory Trained Personnel. Unauthorized repairs performed on this equipment may result in danger to the technician and machine operator and will invalidate your factory warranty. For your safety and to avoid Electrical Shock, please observe all safety notes and precautions detailed throughout this manual.

This Troubleshooting Guide is provided to help you locate and repair possible machine malfunctions. Simply follow the three-step procedure listed below.

#### Step 1. LOCATE PROBLEM (SYMPTOM).

Look under the column labeled "PROBLEM (SYMPTOMS)". This column describes possible symptoms that the machine may exhibit. Find the listing that best describes the symptom that the machine is exhibiting.

#### Step 2. POSSIBLE CAUSE.

The second column labeled "POSSIBLE CAUSE" lists the obvious external possibilities that may contribute to the machine symptom.

#### Step 3. RECOMMENDED COURSE OF ACTION

This column provides a course of action for the Possible Cause, generally it states to contact your local Lincoln Authorized Field Service Facility.

If you do not understand or are unable to perform the Recommended Course of Action safely, contact your local Lincoln Authorized Field Service Facility.



### WARNING

**Have qualified personnel do the troubleshooting work. Turn the engine off before working inside the machine. In some cases, it may be necessary to remove safety guards to perform required maintenance. Remove guards only when necessary and replace them when the maintenance requiring their removal is complete. Always use the greatest care when working near moving parts.**

**Do not put your hands near the engine cooling blower fan. If a problem cannot be corrected by following the instructions, take the machine to the nearest Lincoln Field Service Shop.**



### CAUTION

If for any reason you do not understand the test procedures or are unable to perform the tests/repairs safely, contact your **Local Lincoln Authorized Field Service Facility** for technical troubleshooting assistance before you proceed.



Observe all Safety Guidelines detailed throughout this manual

PROBLEMS (SYMPTOMS)	POSSIBLE CAUSE	RECOMMENDED COURSE OF ACTION
Machine fails to hold the output (heat) consistently.	<ol style="list-style-type: none"> <li>1. Rough or dirty commutator.</li> <li>2. Brushes may be worn down to Limit.</li> <li>3. Field circuit may have variable resistance connection or intermittent open circuit due to loose connection or broken wire.</li> <li>4. Electrode lead or work lead connection may be poor.</li> <li>5. Wrong grade of brushes may have been installed on generator.</li> </ol>	<p>If all recommended possible areas of misadjustment have been checked and the problem persists, <b>Contact your local Lincoln Authorized Field Service Facility.</b></p>

 **CAUTION**

If for any reason you do not understand the test procedures or are unable to perform the tests/repairs safely, contact your **Local Lincoln Authorized Field Service Facility** for technical troubleshooting assistance before you proceed.

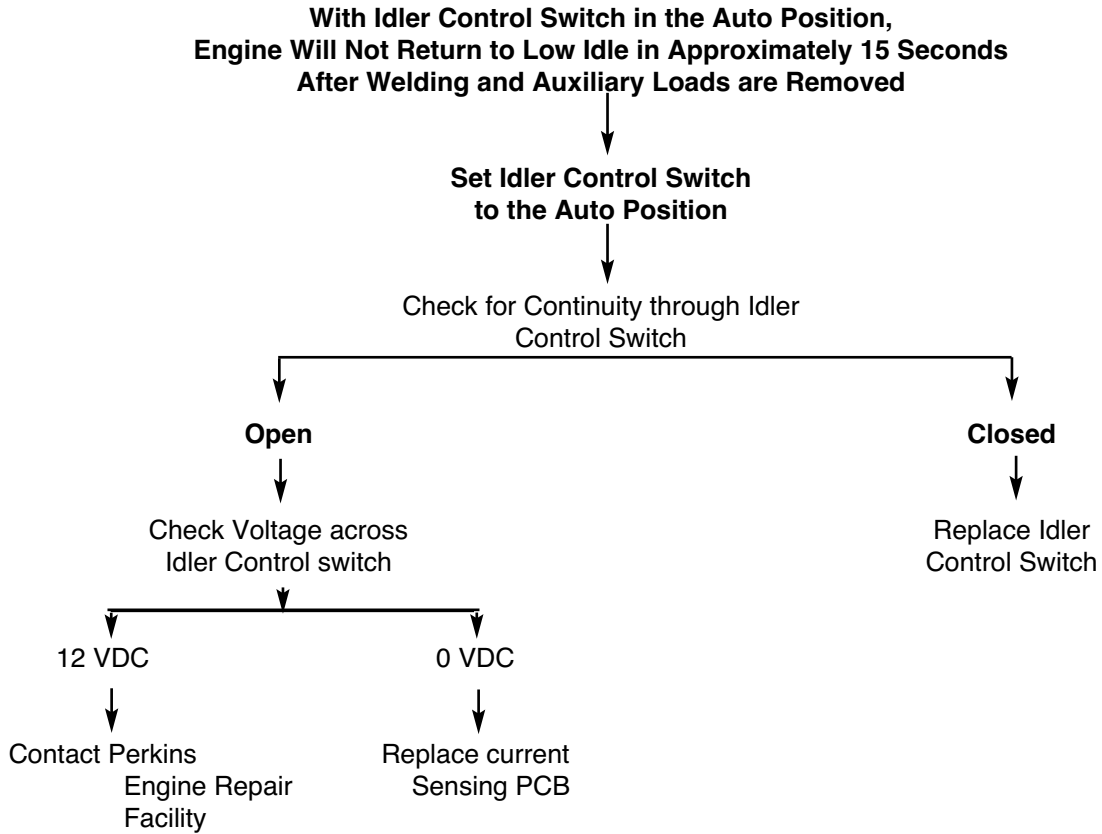
Observe all Safety Guidelines detailed throughout this manual

PROBLEMS (SYMPTOMS)	POSSIBLE CAUSE	RECOMMENDED COURSE OF ACTION
Welder starts but fails to generate current.	<ol style="list-style-type: none"> <li>1. Generator or exciter brushes may be loose or missing.</li> <li>2. Exciter may not be operating.</li> <li>3. Field circuit of generator or exciter may be open.</li> <li>4. Exciter may have lost excitation.</li> <li>5. Series field and armature circuit may be open-circuited.</li> </ol>	<p>If all recommended possible areas of misadjustment have been checked and the problem persists, <b>Contact your local Lincoln Authorized Field Service Facility.</b></p>
	<ol style="list-style-type: none"> <li>6. Faulty wiring or terminal connections to control PCB, or faulty control PCB.</li> </ol>	<ol style="list-style-type: none"> <li>6. If auxiliary power is not present, check connections to J12 (flashing). Check wiring continuity per wiring diagram. Swap out control PCB.</li> </ol>
Welding arc is loud and spatters excessively.	<ol style="list-style-type: none"> <li>1. Current setting may be too high.</li> <li>2. Polarity may be wrong.</li> </ol>	
Welding current too great or too small compared to indication on the dial.	<ol style="list-style-type: none"> <li>1. Exciter output low causing low output compared to dial indication.</li> <li>2. Operating speed too low or too high.</li> </ol>	
Arc continuously pops out.	<ol style="list-style-type: none"> <li>1. "Current Range Selector" switch maybe set to an intermediate position</li> </ol>	

 **CAUTION**

If for any reason you do not understand the test procedures or are unable to perform the tests/repairs safely, contact your **Local Lincoln Authorized Field Service Facility** for technical troubleshooting assistance before you proceed.

# ELECTRONIC IDLER TROUBLESHOOTING GUIDE

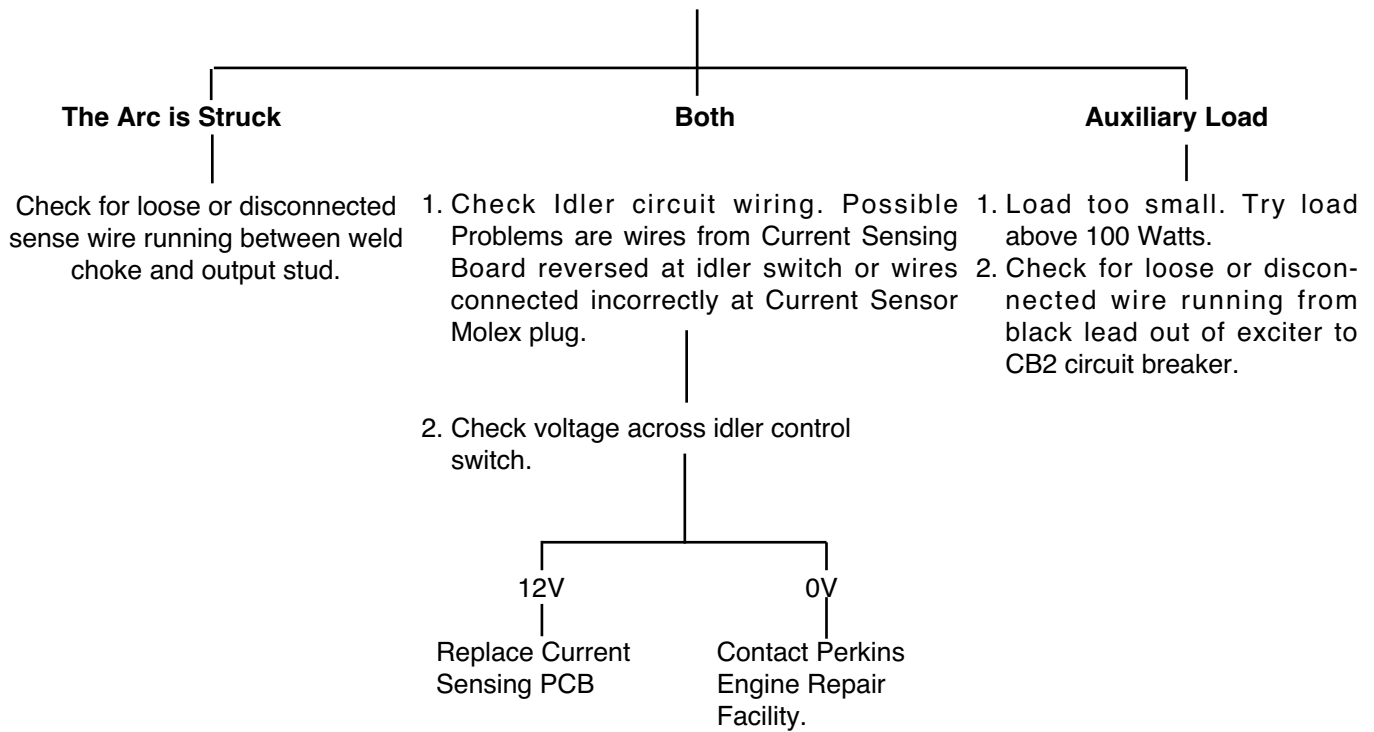


 **CAUTION**

If for any reason you do not understand the test procedures or are unable to perform the tests/repairs safely, contact your **Local Lincoln Authorized Field Service Facility** for technical troubleshooting assistance before you proceed.

# ELECTRONIC IDLER TROUBLESHOOTING GUIDE

With Idler Control Switch in the AUTO Position, Engine Will Not Pick Up Speed When:



If for any reason you do not understand the test procedures or are unable to perform the tests/repairs safely, contact your **Local Lincoln Authorized Field Service Facility** for technical troubleshooting assistance before you proceed.

Observe all Safety Guidelines detailed throughout this manual

PROBLEMS (SYMPTOMS)	POSSIBLE CAUSE	RECOMMENDED COURSE OF ACTION
Engine does not start.	<ol style="list-style-type: none"> <li>1. Lack of fuel.</li> <li>2. Air mixed in the fuel system.</li> <li>3. Clogged fuel filter.</li> <li>4. Irregular and faulty fuel supply (Injector pump trouble).</li> <li>5. Glow plug not heated.</li> <li>6. Clogged air cleaner.</li> <li>7. No compression.</li> <li>8. Engine protection light is ON.</li> </ol>	<p>If all recommended possible areas of misadjustment have been checked and the problem persists, <b>Contact your local Lincoln Authorized Field Service Facility.</b></p>
Engine does not turn over.	<ol style="list-style-type: none"> <li>1. Faulty Ignition switch and or Injector pump solenoid.</li> <li>2. Insufficient charging or complete discharge of the battery.</li> <li>3. Improper viscosity of the lubricating oil.</li> </ol>	
Irregular running of the engine.	<ol style="list-style-type: none"> <li>1. Air mixed in the fuel system.</li> <li>2. Uneven fuel injection (Faulty fuel injector pump).</li> <li>3. Clogged fuel filter.</li> <li>4. Defective governor.</li> <li>5. Engine itself defective.</li> </ol>	
Engine stops during operation and the Engine Protection light <b>does not</b> turn on.	<ol style="list-style-type: none"> <li>1. Lack of fuel in the fuel tank.</li> <li>2. Clogged fuel filter.</li> <li>3. Air mixed in the fuel system.</li> <li>4. Faulty function of the engine.</li> </ol>	
Engine stops during operation and the Engine Protection light <b>does</b> turn on (Flashes Code)	<ol style="list-style-type: none"> <li>1. See light code diagnoses attached.</li> </ol>	

 **CAUTION**

If for any reason you do not understand the test procedures or are unable to perform the tests/repairs safely, contact your **Local Lincoln Authorized Field Service Facility** for technical troubleshooting assistance before you proceed.

Observe all Safety Guidelines detailed throughout this manual

**APECS 4500 Electronic Engine Speed Governing System**

Fault Codes

FLASH CODE *	FAULT	ENGINE SHUTDOWN	CORRECTIVE ACTION
1	APECS unit not calibrated	Yes	Calibrate APECS unit.
2	Engine speed excessive	Yes	Check parameter settings. Overspeed criteria may be too sensitive. Check for electrical noise entering controller. Check wiring and connections. Check case ground. Make sure linkage moves freely, without backlash. Check tip of speed sensor.
3	Engine speed unusually low	Yes	Check parameter settings. Check linkage and the actuator travel. Ensure that load is not greater than engine capacity.
4	Engine shutdown due to engine protection input	Yes	Check parameter settings. Check what may have triggered the protection input.
5	Factory settings lost	Yes	If calibration file is available, download calibration file and cycle power again. If controller still does not work or if no calibration file is available, consult factory.
7	Accelerator position / idle switch conflict	No	Verify that signals are working and synchronized.
8	Controller unit failed	Yes	Electrical noise may be entering controller. Check wiring, shielding and connections to controller. Cycle power to engine. If controller still does not work, consult factory.
9	Limiting excessive actuator current	No	Check actuator for short to ground or low resistance. Check parameter settings. Check linkage and actuator travel. Ensure that load is not greater than engine capacity.
10	Engine speed input signal missing	No	(Active only in Autocrank mode) Check speed sensor wiring. Check starter motor.
12	Auxiliary output is shorted	No	Check the lamp or relay hooked to the output. If fault is still present, consult factory.
13	Auxiliary output #2 is shorted	No	Check the lamp or relay hooked to the output. If fault is still present, consult factory.
14	Actuator disconnected or open circuit	No	Check actuator wiring and actuator resistance. Resistance should be less than 10 ohms.
21	MAP sensor out of range	No	Verify that MAP sensor is wired correctly. Recalibrate MAP sensor

\* Count number of off pulses.



If for any reason you do not understand the test procedures or are unable to perform the tests/repairs safely, contact your **Local Lincoln Authorized Field Service Facility** for technical troubleshooting assistance before you proceed.

Observe all Safety Guidelines detailed throughout this manual

PROBLEMS (SYMPTOMS)	POSSIBLE CAUSE	RECOMMENDED COURSE OF ACTION
White or Blue Smoke.	<ol style="list-style-type: none"> <li>1. Excess engine oil.</li> <li>2. Too low viscosity of the engine oil.</li> <li>3. Faulty injection timing.</li> </ol>	<p>If all recommended possible areas of misadjustment have been checked and the problem persists, <b>Contact your local Lincoln Authorized Field Service Facility.</b></p>
Dark Grey Smoke.	<ol style="list-style-type: none"> <li>1. Unsuitable fuel.</li> <li>2. Excess injection.</li> <li>3. Faulty function of the engine.</li> <li>4. Overloading.</li> <li>5. Clogged air cleaner.</li> </ol>	
Faulty Charging.	<ol style="list-style-type: none"> <li>1. Loose fan belt.</li> <li>2. Faulty wiring.</li> <li>3. Faulty battery.</li> <li>4. Worn out alternator brush.</li> </ol>	
Starter Motor does not run.	<ol style="list-style-type: none"> <li>1. Loose or damaged wiring.</li> <li>2. Drained voltage from battery.</li> <li>3. Damaged starter motor (including solenoid).</li> </ol>	
Engine Protection Light not coming on.	<ol style="list-style-type: none"> <li>1. Faulty light wiring.</li> <li>2. Faulty Engine Control Unit.</li> <li>3. Faulty LED indicator.</li> </ol>	
No Auxiliary Power	<ol style="list-style-type: none"> <li>1. GFCI may have tripped. Follow "GFCI Testing and Resetting Procedure" in the MAINTENANCE section of this manual.</li> <li>2. Open breakers may need to be reset.</li> <li>3. Faulty receptacle.</li> <li>4. Faulty auxiliary circuit wiring.</li> </ol>	

 **CAUTION**

If for any reason you do not understand the test procedures or are unable to perform the tests/repairs safely, contact your **Local Lincoln Authorized Field Service Facility** for technical troubleshooting assistance before you proceed.

Diagnostic LED Flash Codes(LED tied in harness at control board)		
Long Flash	Short Flash	Description
2	1	Field coil shorted- fault can only be reset by restarting welder
2	3	Welder output short circuit or overload, fault resets by restarting welder
3	2	Negative armature in cvmode code
3	3	VArm>90V in cvmode code after CR2enable
4	2	Control board 18V Supply is under 16.2V
4	1	Control board 36V Supply is under 29.2V
5	1	Control board serial communication error
4	3	Control board 15V supply under code



### CAUTION

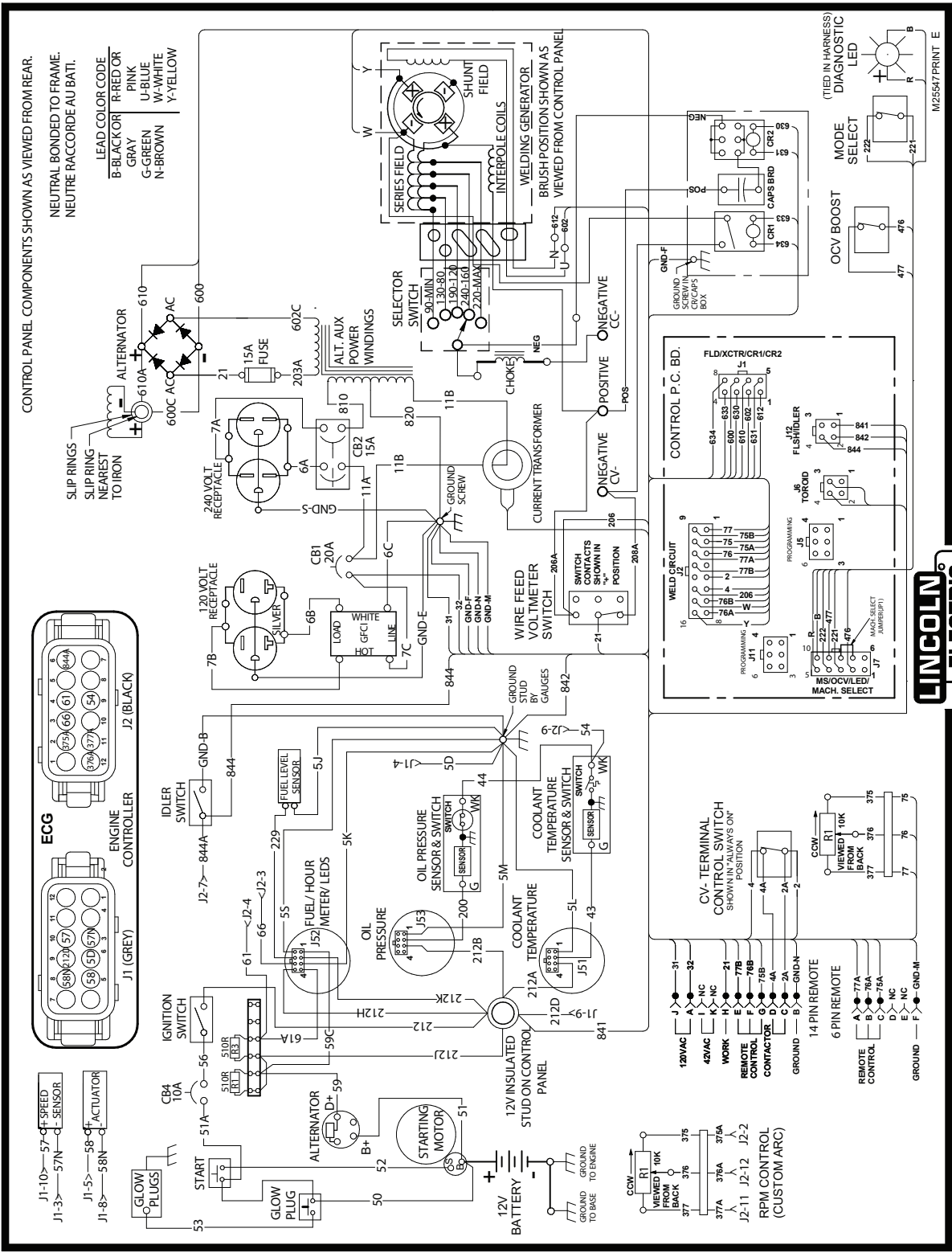
If for any reason you do not understand the test procedures or are unable to perform the tests/repairs safely, contact your **Local Lincoln Authorized Field Service Facility** for technical troubleshooting assistance before you proceed.



**CLASSIC 300 MP PERKINS WIRING DIAGRAM**

CONTROL PANEL COMPONENTS SHOWN AS VIEWED FROM REAR.  
 NEUTRAL BONDED TO FRAME.  
 NEUTRE RACCORDE AU BATTI.

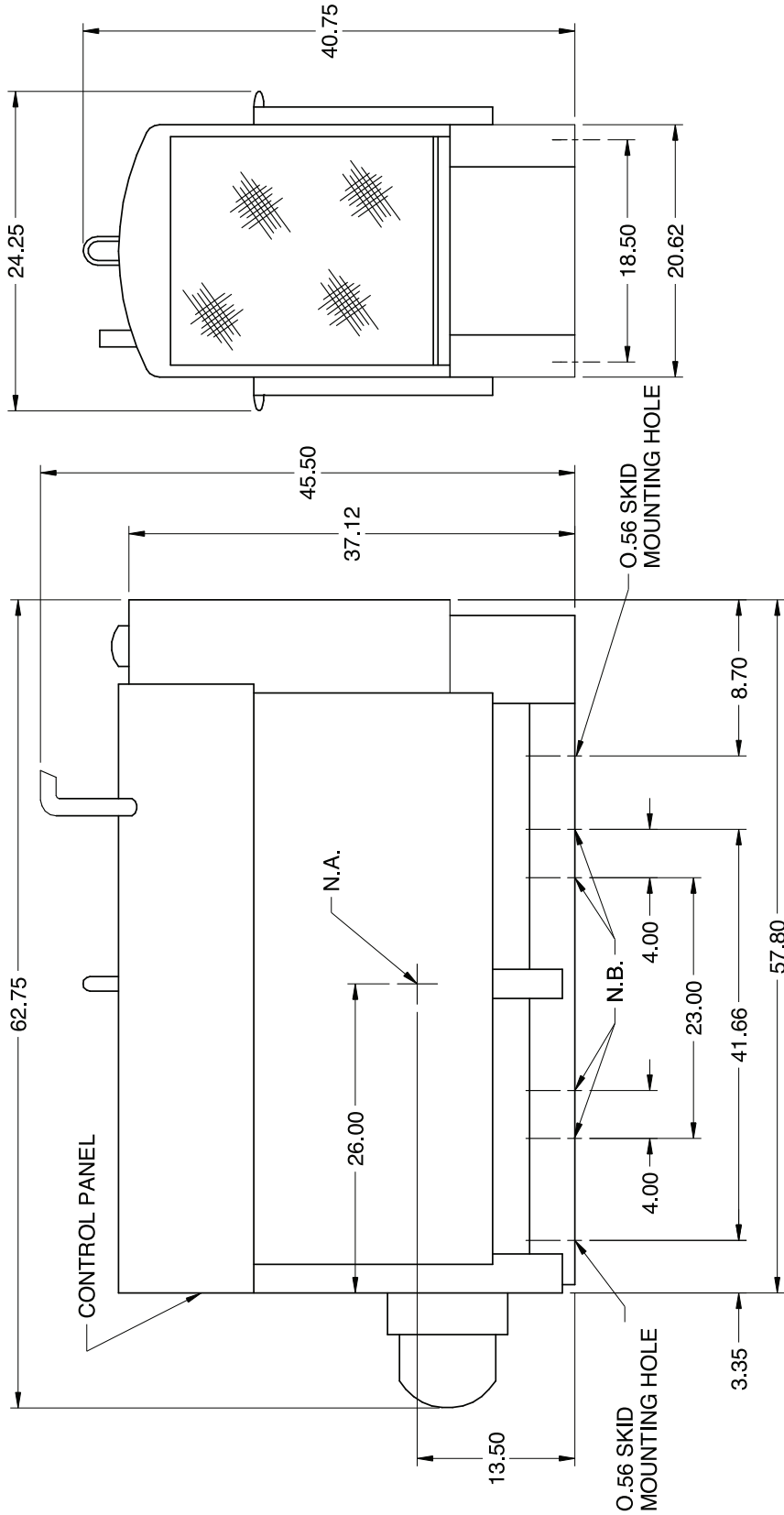
LEAD COLOR CODE  
 B-BLACK OR R-RED OR  
 GRAY PINK  
 G-GREEN U-BLUE  
 N-BROWN W-WHITE  
 Y-YELLOW



**NOTE:** This diagram is for reference only. It may not be accurate for all machines covered by this manual. The specific diagram for a particular code is pasted inside the machine on one of the enclosure panels. If the diagram is illegible, write to the Service Department for a replacement. Give the equipment code number.

A.02.

S10766-16



NOTES:  
 N.A. CENTER OF GRAVITY WITH OIL AND WATER IN ENGINE, BUT NO FUEL.  
 N.B. Ø.56 TRAILER MOUNTING HOLES.



Service Navigator 2.0

# Classic 300 MP - 12423

## Engine Driven Welders

### Classic

#### Classic 300 MP - 12423

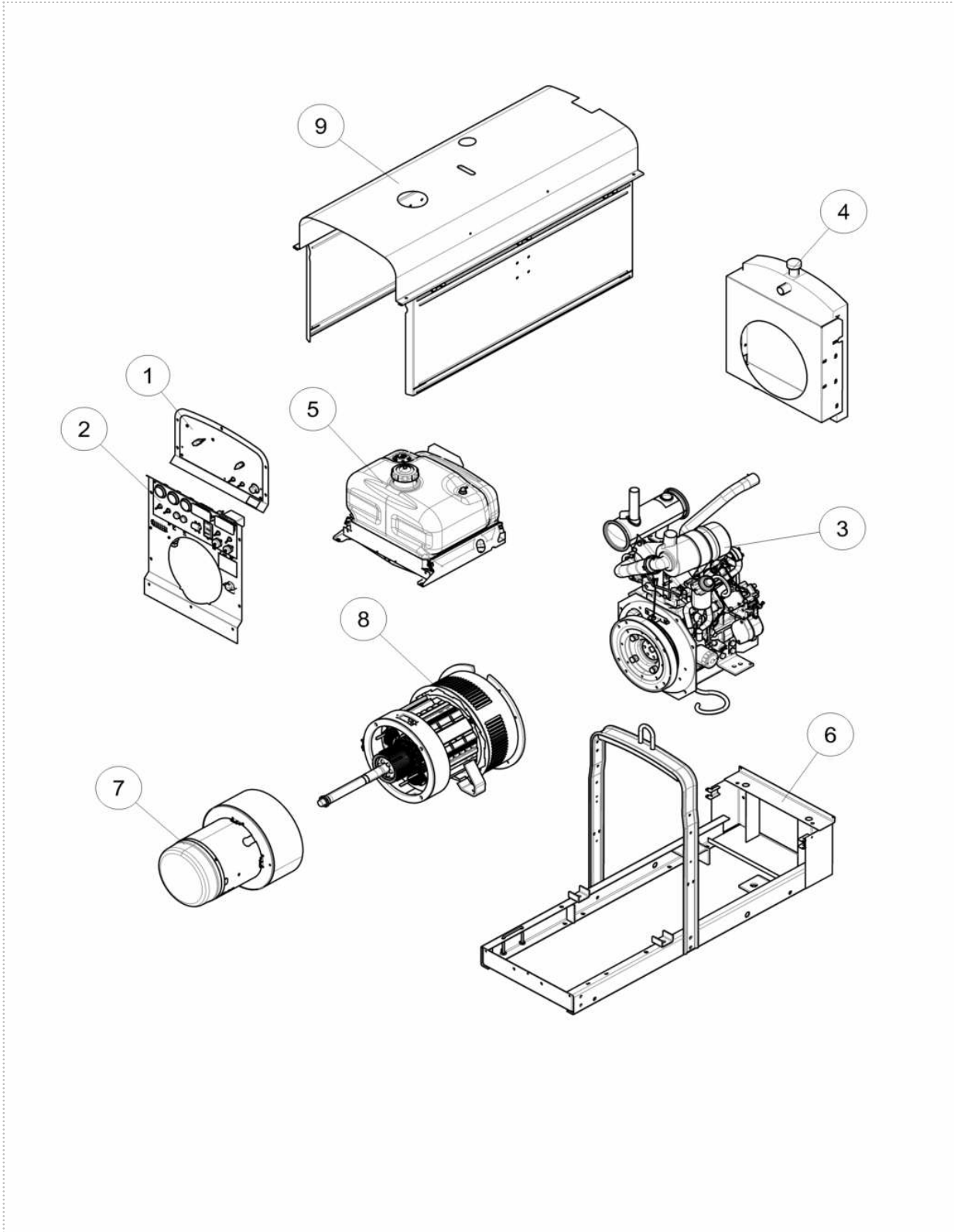
Index of Sub Assemblies - 12423 .....	1
Upper Control Panel .....	3
Lower Control Panel .....	5
Engine Assembly .....	9
Radiator Assembly .....	12
Fuel Tank/Choke/CV Box Assembly .....	14
Base & Lift Bale Assembly .....	17
Exciter & Stator .....	20
Welding Generator & Coupling .....	22
Roof & Doors .....	24
Generator Brush Holder .....	27

THIS PAGE INTENTIONALLY LEFT BLANK

## Index of Sub Assemblies - 12423

KEY	PART NUMBER	DESCRIPTION	QTY
	P-869-A	INDEX OF SUB ASSEMBLIES	AR
1	P-869-C	UPPER CONTROL PANEL	AR
2	P-869-D	LOWER CONTROL PANEL	AR
3	P-869-E	ENGINE ASSEMBLY	AR
4	P-869-F	RADIATOR ASSEMBLY	AR
5	P-869-G	FUEL TANK/CHOKE/CV BOX ASSEMBLY	AR
6	P-869-H	BASE & LIFT BALE ASSEMBLY	AR
7	P-869-J	EXCITER & STATOR	AR
8	P-869-K	WELDING GENERATOR & COUPLING	AR
9	P-869-L	ROOF & DOORS	AR
	P-869-M	GENERATOR BRUSH HOLDER	AR

# Index of Sub Assemblies - 12423



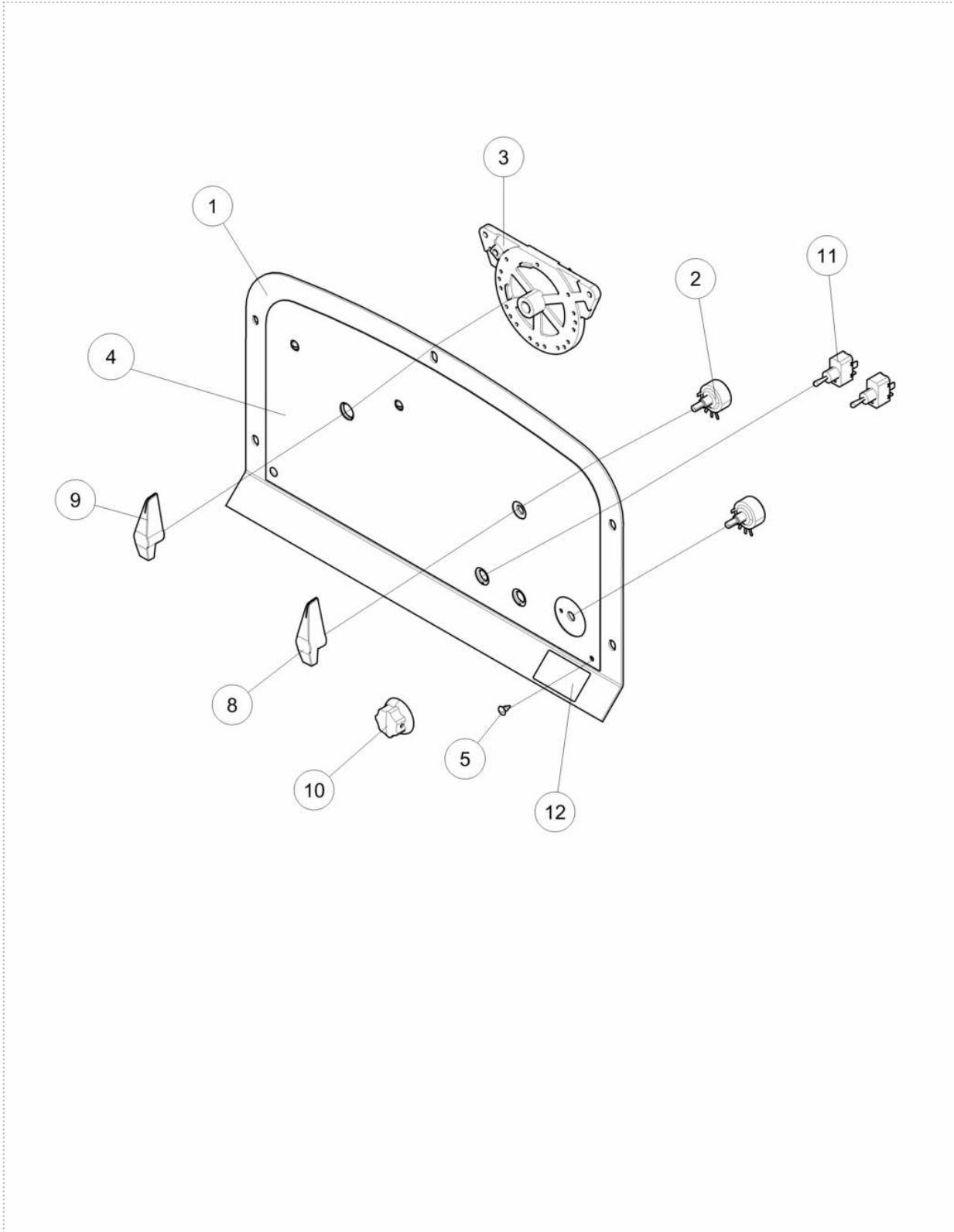
P-869-A.jpg

## Upper Control Panel

KEY	PART NUMBER	DESCRIPTION	QTY
	9SM25540	UPPER CONTROL PANEL ASBLY	1
1	9SM25541	CONTROL PANEL UPPER	1
2	9SS18250-759	PLUG & LEAD ASBLY	2
	9ST13483-7	O RING 011	2
3	9SM13335	SELECTOR SWITCH ASBLY	1
	9SCF000127	#10-24X1.75RHS-FULL-GR2-1427	2
	9SS10918-60	SPACER	2
	9SS9262-27	PLAIN WASHER	2
	9ST9695-1	LOCKWASHER	2
	9SCF000010	#10-24HN	2
4	9SL16926	NAMEPLATE	1
5	9ST14659-2	FASTENER BUTTON	1
8	9SS31151	BUSHING FC DIAL	1
9	9SM13989-1	CONTROL HANDLE	1
10	9ST10491	KNOB	1
11	9ST10800-4	SWITCH	2
	9SS22061-4	SEALING BOOT	2
12	9SS31574	DECAL - CUSTOM ARC LOGO	1



# Upper Control Panel



P-869-C.jpg

## Lower Control Panel

KEY	PART NUMBER	DESCRIPTION	QTY
	9SG8514	LOWER CONTROL PANEL	1
1A	9SL15842-4	LOWER CONTROL PANEL	1
2	9SM22209-2	HOUR METER/LED	1
3	9SS25154-2	WATER TEMPERATURE GAUGE	1
4	9SS20206-2	OIL PRESSURE GAUGE	1
6A	9SS14377	RECEPTACLE-DUPLEX	1
	9SS9225-63	THREAD FORMING SCREW (CUTTING)	2
	9ST11525-1	SPEED NUT#10-24	2
7A	9SS20184	RECEPTACLE-DUPLEX (20A-125V)	1
7B	9SL13286	GFCI HOUSING	1
	9SS27167	MOUNTING BRACKET	1
	9SS24738-3	THERMOPLASTIC SCREW	2
	9SS27176	RECEPTACLE SEAL	1
8A	9ST10800-4	SWITCH	3
8B	9SS22061-4	SEALING BOOT	2
9	9SS13146-1	START BUTTON	1
10	9SS13146-4	SWITCH-PUSH BUTTON	1
12A	9SM20585-3	CIRCUIT BREAKER 2 POLE	1
12B	9SS24911-2	COVER CIRCUIT BREAKER 2 POLE	1
	9ST10082-30	SEMS SCREW	4
13A	9SS26843-1	GFCI REWORK	1
13B	9SS28694	GFCI COVER	1
13C	9SL13286	GFCI HOUSING	1
13D	9SS27167	MOUNTING BRACKET	1
	9SS24738-3	THERMOPLASTIC SCREW	2
14A	9ST10800-39	SWITCH-TOGGLE	1
14B	9SS22061-4	SEALING BOOT	1
15A	9ST12287-31	CIRCUIT BREAKER-20A250VAC32VDC	1
15B	9SS22061-1	CIRCUIT BREAKER BOOT	1
	9SS9225-36	THREAD FORMING SCREW (CUTTING)	2
	9ST9695-1	LOCKWASHER	2
	9SCF000010	#10-24HN	4
	9ST13637-5	DIODE-BRIDGE35A800VF-W1-PH	2
	9SCF000059	#8-32X.875RHS	2

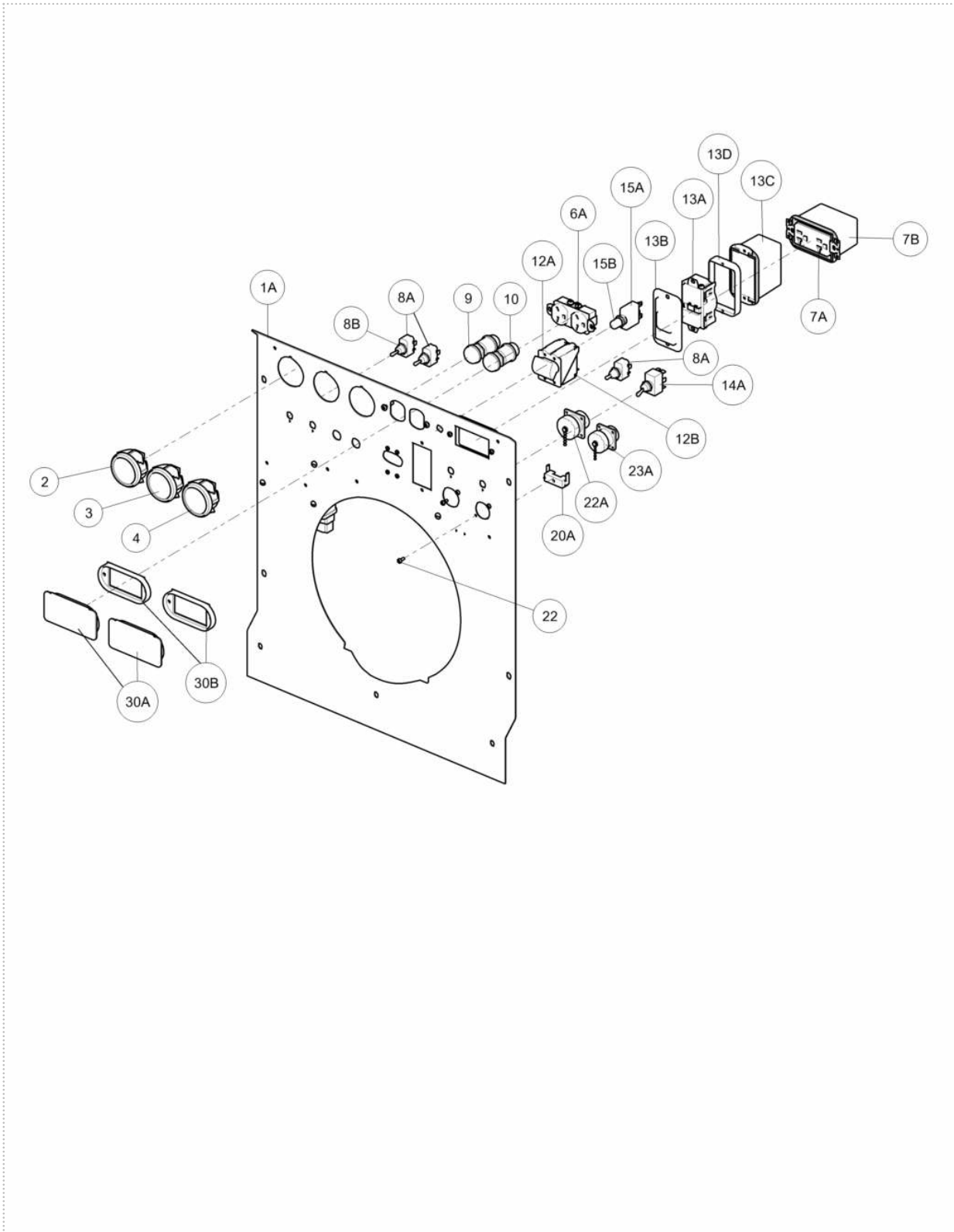
## Lower Control Panel

KEY	PART NUMBER	DESCRIPTION	QTY
	9SS9262-3	PLAIN WASHER	2
	9ST4291-A	LOCKWASHER	2
	9SCF000042	#8-32HN	2
20A	9ST15011-1	FUSE BLOCK	1
	9ST10728-8	FUSE	1
	9SCF000001	#4-40X.375RHS	1
	9SS9262-39	PLAIN WASHER	1
	9ST4291-B	LOCKWASHER	1
	9SCF000002	#4-40HN	1
	9SS8025-96	SELF TAPPING SCREW	2
	9SS17062-11	CABLE CONNECTOR CAP	1
	9SS8025-96	SELF TAPPING SCREW	2
	9SS17062-10	CABLE CONNECTOR CAP	1
	9SS9225-26	THREAD FORMING SCREW (ROLLING)	4
	9ST9860-3	LOCKWASHER	4
30A	9SM16996	RECEPTACLE COVER	2
30B	9SS21088	RECEPTACLE GASKET	2
	9SS22127-3	DECAL-WARRANTY	1
	9SS9262-27	PLAIN WASHER	4
	9ST9695-1	LOCKWASHER	2
	9SCF000010	#10-24HN	2
	9SS10918-69	SPACER	2
	9SCF000127	#10-24X1.75RHS-FULL-GR2-1427	2
34A	9SL16768	LOWER NAMEPLATE	1
	9SM25339	GUARD - RIGHT CASE FRONT	1
	9SM24953-2	GUARD- CASE FRONT LEFT	1
	9SG8445	HARNESS ASBLY	1
	9SS29970	TERMINAL STRIP DOUBLE ROW BARRIER	1
	9SS19400-5100	510 OHM RESISTOR	2
	9SS18250-1067	PLUG & LEAD ASBLY	1
	9SS18250-1066	PLUG & LEAD ASBLY	1
	9SM25476	PLUG AND LEAD ASSEMBLY	1
	9SS18250-1082	PLUG & LEAD ASSEMBLY	1
	9SS18250-397	PLUG & LEAD ASBLY	1

## Lower Control Panel

KEY	PART NUMBER	DESCRIPTION	QTY
	9SS31575	DECAL - RATING PLATE	1

# Lower Control Panel



P-869-D.jpg

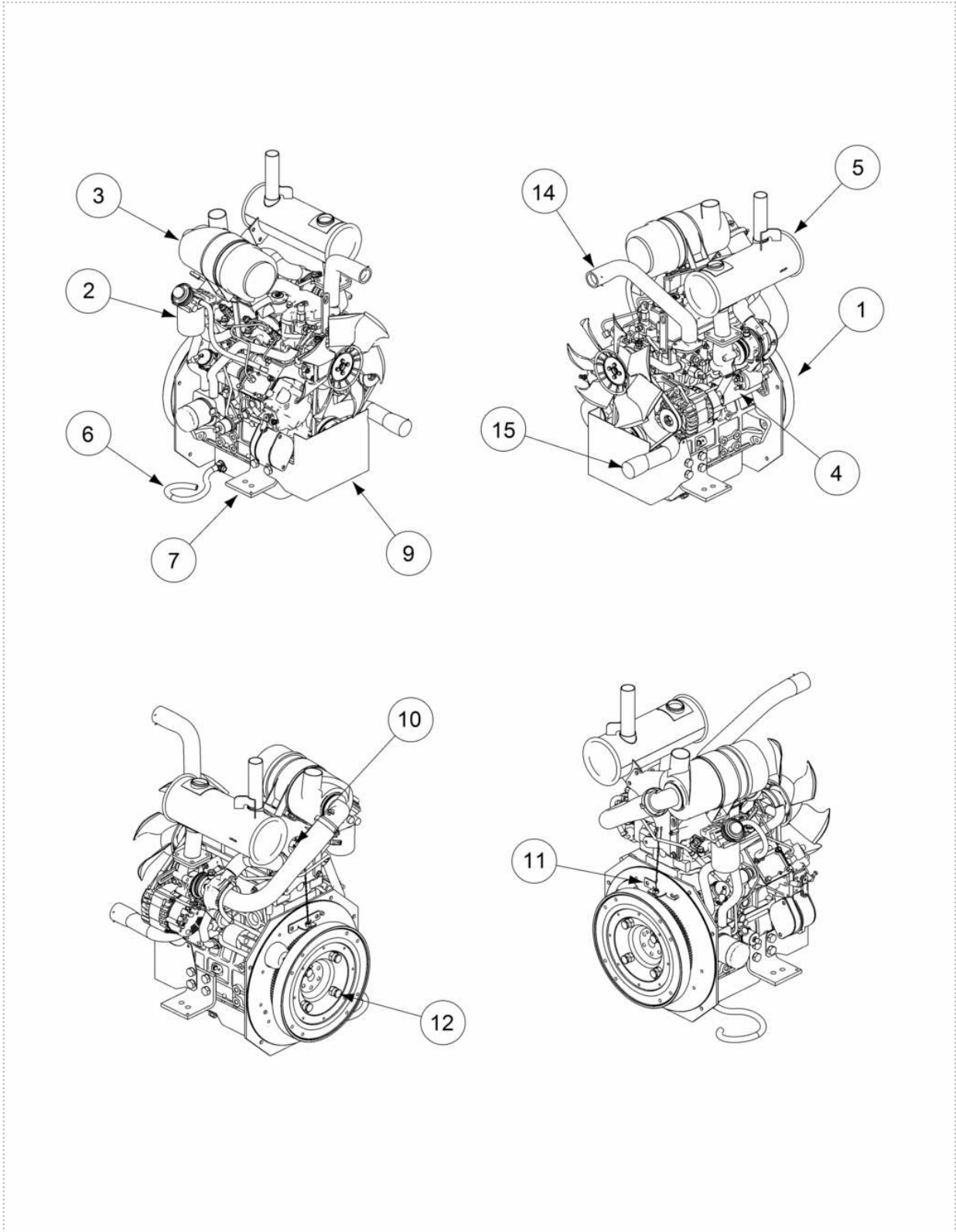
# Engine Assembly

KEY	PART NUMBER	DESCRIPTION	QTY
	9SL16311	PERKINS DIESEL ENGINE ASBLY	1
1	9SM24738	ENGINE	1
3	9SL16328	AIR CLEANER BRACKET	1
	9SS29527	BRKT (AIR CLEANER SUPPORT)	1
	9SS9225-26	THREAD FORMING SCREW (ROLLING)	1
	9ST14731-3	METRIC HEX HD SCREW-M8 X1.25	1
	9SE106A-3	LOCKWASHER	1
	9SM20359	AIR FILTER MTG BAND	1
	9SCF000028	5/16-18X1.25HHCS	2
	9SCF000029	5/16-18HN	2
	9SE106A-3	LOCKWASHER	2
	9SS9262-121	PLAIN WASHER	4
	9SM24773	AIR INTAKE HOSE	1
	9SS10888-33	HOSE CLAMP	2
	9SCF000019	3/8-16X1.00HHCS 10	1
	9SE106A-4	LOCKWASHER	1
	9SS17400-3	METRIC LOCKWASHER	1
	9ST14815-3	METRIC HEX NUT-M6 X 1.00	1
5	9SL16324	MUFFLER ASBLY	1
6	9ST10642-218	FLEX HOSE	1
	9SS10888-27	HOSE CLAMP	1
7	9SS29473	ENGINE MTG FOOT	2
	9ST14731-48	METRIC HEX HD SCREW-M14 X 1.5	8
	9SS17400-5	LOCKWASHER-METRIC M14	8
9	9SL16329	FAN GUARD (BOTTOM)	1
10	9ST10642-354	HOSE	1
	9SS26600	INTAKE BREATHER FITTING	1
	9SS10888-27	HOSE CLAMP	2
11	9SS29649	BRACKET RPM SENSOR	1
	9SS29889	RPM SENSOR	1
12	9SS29603	COUPLING STUD	4
14	9SL16326	TOP RADIATOR HOSE	1
	9SS10888-8	HOSE CLAMP	1
	9SS10888-44	HOSE CLAMP	1

## Engine Assembly

KEY	PART NUMBER	DESCRIPTION	QTY
15	9SL16327	LOWER RADIATOR HOSE	1
	9SS10888-8	HOSE CLAMP	1
	9SS10888-44	HOSE CLAMP	1

# Engine Assembly



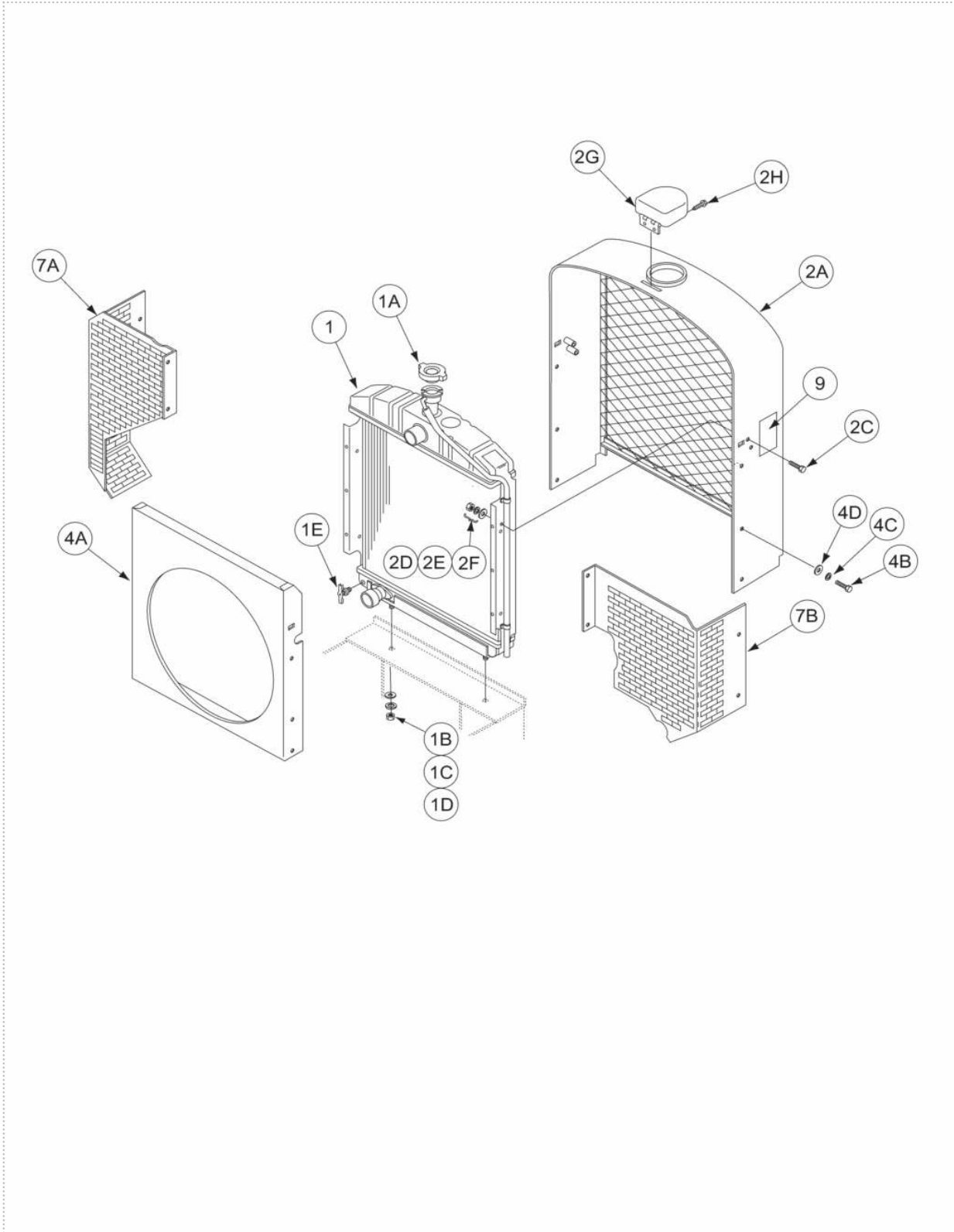
P-869-E.jpg



## Radiator Assembly

KEY	PART NUMBER	DESCRIPTION	QTY
1	9SG3432	RADIATOR	1
1A	9SS9970	RADIATOR CAP	1
1B	9SE106A-15	LOCKWASHER	2
1C	9SS9262-5	PLAIN WASHER	2
1D	9SCF000027	1/2-13HN	2
1E	9ST9956	DRAIN COCK	1
2A	9SL5163-2	RADIATOR SHELL ASBLY	1
	9SS9225-8	THREAD FORMING SCREW (ROLLING)	4
2C	9SCF000081	5/16-18X1.50HHCS	2
2D	9SS9262-121	PLAIN WASHER	4
2E	9SE106A-3	LOCKWASHER	2
2F	9SCF000029	5/16-18HN	2
2G	9SM8003	RADIATOR CAP COVER ASBLY	1
2H	9SS8025-12	SELF TAPPING SCREW	2
4A	9SM24776	FAN SHROUD ASBLY	1
4B	9SCF000013	1/4-20X.625HHCS	6
4C	9SE106A-2	LOCKWASHER	6
4D	9SS9262-23	PLAIN WASHER	6
7A	9SL16332	LEFT FAN GUARD	1
7B	9SL16331	RIGHT FAN GUARD	1
9	9ST13086-62	DECAL-WARNING	2

# Radiator Assembly



P-869-F.jpg

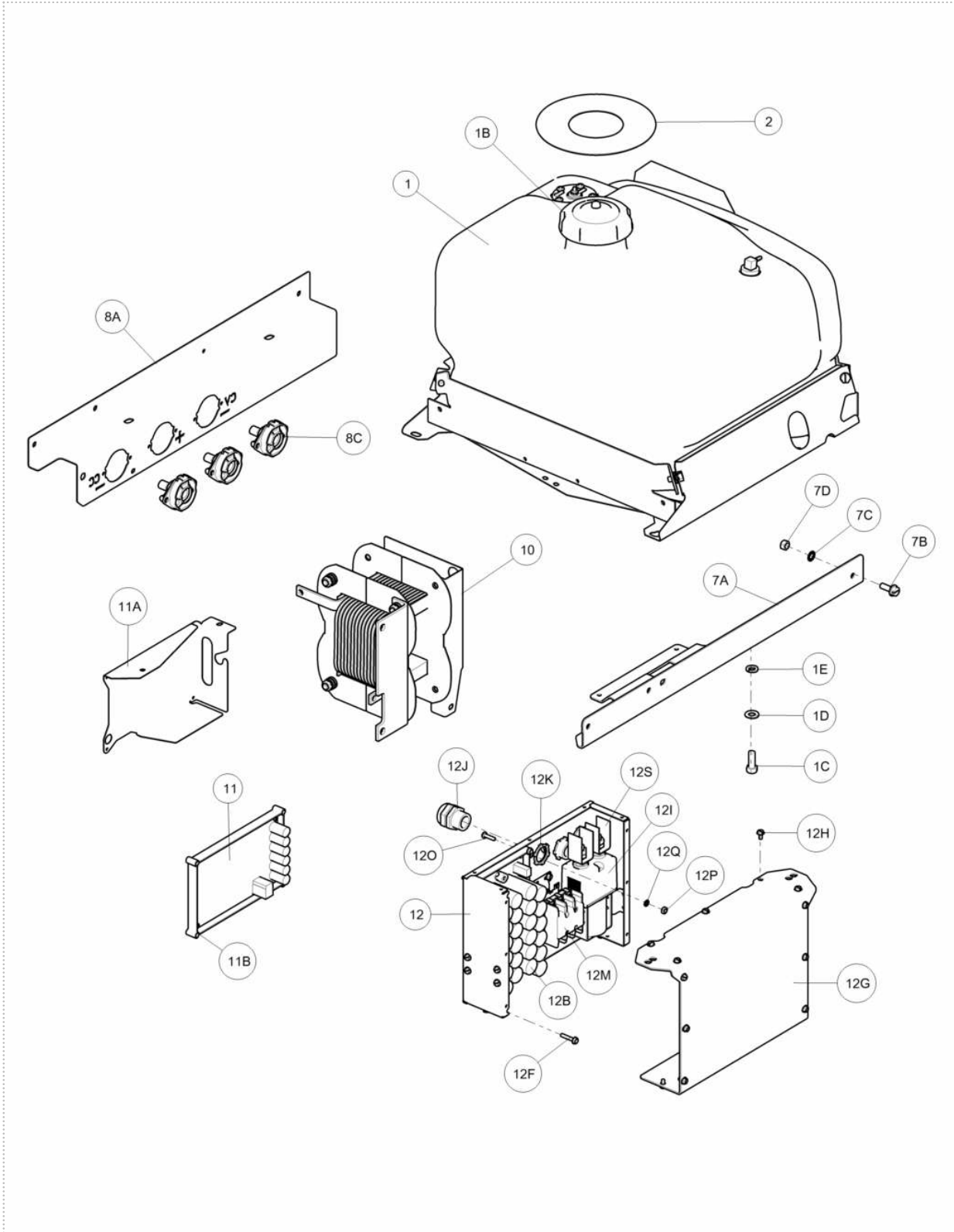
## Fuel Tank/Choke/CV Box Assembly

KEY	PART NUMBER	DESCRIPTION	QTY
1	9SL16336	FUEL TANK AND RAIL ASSEMBLY	1
1B	9SS20541	FUEL CAP	1
	9SCF000019	3/8-16X1.00HHCS 10	4
	9SS9262-120	PLAIN WASHER	10
	9SE106A-16	LOCKWASHER	4
	9SCF000067	3/8-16HN	4
2	9SS10437-G	GASKET	1
	9ST10642-231	FLEX TUBE	1
	9ST13777-6	HOSE CLAMP	1
	9ST10642-86	FLEX TUBE	1
	9ST13777-1	HOSE CLAMP	1
7A	9SM12479-2	FUEL TANK RAIL	1
7B	9SS9225-22	THREAD FORMING SCREW (ROLLING)	2
7C	9ST9860-3	LOCKWASHER	2
7D	9SCF000029	5/16-18HN	2
	9SM13942-12	OUTPUT PANEL ASSEMBLY	1
8A	9SM13946-3	OUTPUT RAIL	1
	9SS8025-91	SELF TAPPING SCREW	6
8C	9ST14166-9	OUTPUT TERMINAL KIT	3
	9ST3960	FLANGE NUT	3
	9SS9225-22	THREAD FORMING SCREW (ROLLING)	2
	9ST9860-3	LOCKWASHER	2
	9SCF000029	5/16-18HN	2
	9SCF000020	1/2-13X.75HHCS	2
	9SS9262-1	PLAIN WASHER	1
	9SE106A-15	LOCKWASHER	1
10	9SM24836	COIL ASSEMBLY CHOKE	1
11	9SG8050-1	CONTROL PC BD ASBLY	1
11A	9SM25338	CONTROL PCB MOUNTING BRACKET	1
11B	9SS9225-8	THREAD FORMING SCREW (ROLLING)	2
	9ST9860-6	LOCKWASHER	2
	9SS9225-76	SELF TAPPING SCREW	4
	9ST12287-20	CIRCUIT BREAKER-10A250VAC	1
12	9SG8130	CV BOX ASSEMBLY	1

## Fuel Tank/Choke/CV Box Assembly

KEY	PART NUMBER	DESCRIPTION	QTY
	9SL16735	CV BOX BASE	1
12B	9SL16736-1	CV CAPACITORS PCB ASSEMBLY	1
	9SCF000012	1/4-20X.50HHCS	2
	9SS9262-23	PLAIN WASHER	2
	9SE106A-20	WASHER 1/4 LOCK (SS)	2
12F	9SS9225-76	SELF TAPPING SCREW	4
12G	9SL16869	CV BOX SUPPORT	1
12H	9SS8025-92	SELF TAPPING SCREW	4
	9SM17198-1	CONTACTOR ASSEMBLY & CABLE	1
12J	9SS19999-1	CORD GRIP CONNECTOR	3
12K	9ST14370-2	CONDUIT LOCKNUT	3
	9SS8025-92	SELF TAPPING SCREW	13
12M	9SM12161-96	CONTACTOR	1
	9SS8025-92	SELF TAPPING SCREW	3
12O	9SS9225-36	THREAD FORMING SCREW (CUTTING)	1
12P	9SCF000010	#10-24HN	2
12Q	9ST9695-1	LOCKWASHER	1
	9SS18250-1066	PLUG & LEAD ASBLY	1
	9ST9695-1	LOCKWASHER	2

# Fuel Tank/Choke/CV Box Assembly



P-869-G.jpg

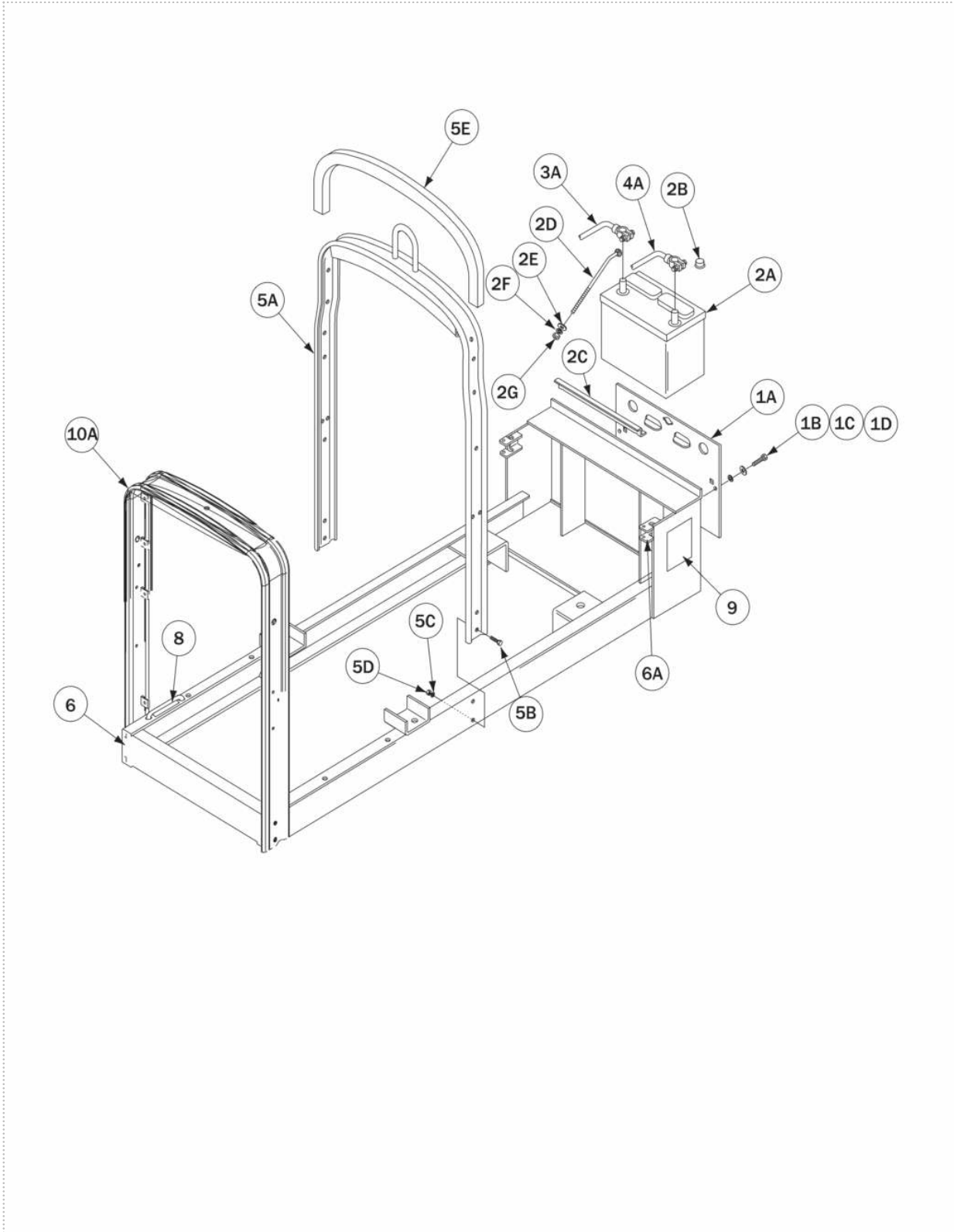
## Base & Lift Bale Assembly

KEY	PART NUMBER	DESCRIPTION	QTY
1A	9SS15639-1	BATTERY MTG PANEL	1
1B	9SCF000012	1/4-20X.50HHCS	2
1C	9SE106A-2	LOCKWASHER	2
1D	9SS9262-23	PLAIN WASHER	2
2A	9SM9399-4	BATTERY	1
2B	9ST14654	CAP-PLASTIC	1
2C	9SS12128	BATTERY BRKT	1
2D	9ST11888	BATTERY HOLDER BOLT	2
2E	9SS9262-169	PLAIN WASHER (SS)	2
2F	9SE106A-20	WASHER 1/4 LOCK (SS)	2
2G	9SCF000395	1/4-20SS-HN	4
3A	9SS8070-29	BATTERY CABLE	1
	9SS24469	CLIP (CABLE)	1
	9ST11525-5	SPEED NUT1/4-20	1
	9SS9225-8	THREAD FORMING SCREW (ROLLING)	1
	9ST14815-3	METRIC HEX NUT-M6 X 1.00	1
	9ST14815-2	METRIC HEX NUT-M8 X 1.25 BRASS	1
4A	9SS14922-1	BATTERY CABLE & GROUND STRAP	1
	9SS9225-26	THREAD FORMING SCREW (ROLLING)	2
5A	9SL9084	LIFT BALE & HOOK ASBLY	1
5B	9ST8833-24	HEX HD CAP SCREW	4
5C	9SE106A-15	LOCKWASHER	4
5D	9SCF000027	1/2-13HN	4
5E	9SM15045-37	ACOUSTICAL FOAM	1
6	9SG7568	BASE ASBLY	1
6A	9SS10918-82	SPACER	2
	9SCF000127	#10-24X1.75RHS-FULL-GR2-1427	2
	9ST9187-9	#10-24HLN	2
8	9SS20283	DECAL-CABLE ROUTING	1
9	9SS17851	DECAL-CAUTION	2
10A	9SM8237-15	REAR SUPPORT ASBLY	1
	9SCF000019	3/8-16X1.00HHCS 10	4
	9SS9262-120	PLAIN WASHER	4
	9SE106A-16	LOCKWASHER	4

## Base & Lift Bale Assembly

KEY	PART NUMBER	DESCRIPTION	QTY
	9SCF000067	3/8-16HN	4
	9SCF000029	5/16-18HN	4

# Base & Lift Bale Assembly



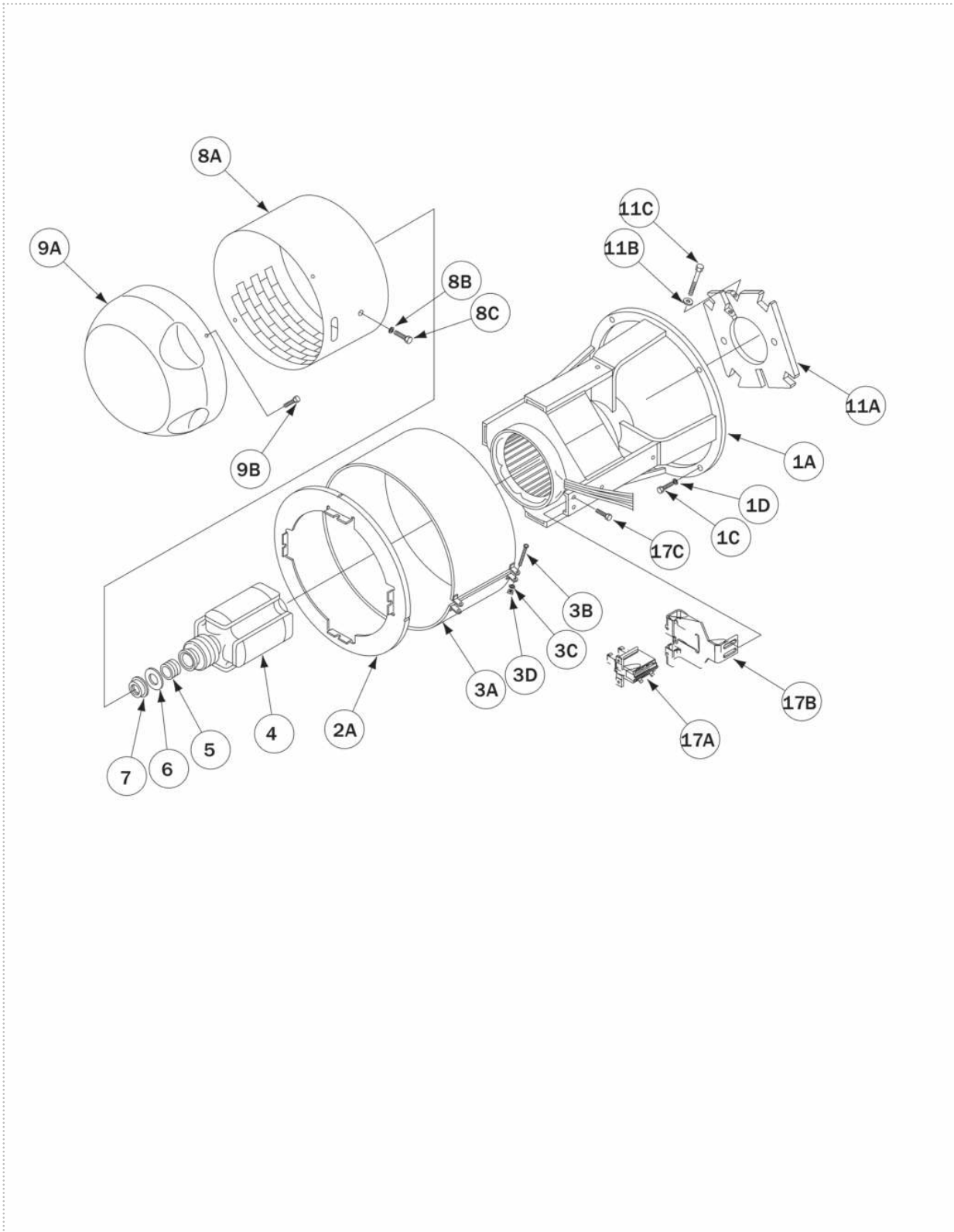
P-869-H.jpg



## Exciter & Stator

KEY	PART NUMBER	DESCRIPTION	QTY
1A	9SL6061-8	END BRACKET	1
1C	9ST8833-2	HEX HD CAP SCREW	4
1D	9SE106A-8	LOCKWASHER	4
2A	9SM13683	BAFFLE	1
	9SS9225-8	THREAD FORMING SCREW (ROLLING)	4
	9SS9262-23	PLAIN WASHER	4
	9ST9860-6	LOCKWASHER	4
3A	9SL3391-46	COVER	1
3B	9SCF000143	1/4-20X2.00RHS	2
3C	9SE106A-2	LOCKWASHER	2
3D	9SCF000017	1/4-20HN	2
4	9SM13641-4	M13641-4 ROTOR ASBLY	1
5	9ST14337	ARMATURE SLEEVE COLLAR	1
6	9ST7090-1	EXCITER NUT WASHER	1
7	9ST6225-1	EXCITER LOCK NUT	1
8A	9SL8254	EXCITER WRAPAROUND COVER	1
8B	9ST9860-6	LOCKWASHER	3
8C	9SS9225-8	THREAD FORMING SCREW (ROLLING)	3
9A	9SL6129-1	EXCITER COVER	1
9B	9SS8025-91	SELF TAPPING SCREW	4
	9SS16986-1	ROCKER ASBLY	1
11A	9SM9857-1	ROCKER	1
11B	9SE106A-2	LOCKWASHER	1
11C	9ST8833-22	HEX HD CAP SCREW	1
17A	9SM16158	BRUSH & BRUSH HOLDER ASBLY	1
	9SG2114	BRUSH HOLDER CARTRIDGE	1
	9SS19480	BRUSH ASBLY	2
	9SM16157	BRUSH ASBLY RETAINER	1
17B	9SM19896	BRUSH HOLDER BRACKET (SS)	1
17C	9SCF000014	1/4-20X.75HHCS	2
	9SS9262-23	PLAIN WASHER	2
	9SE106A-2	LOCKWASHER	2
	9SCF000017	1/4-20HN	2
	9SS24739-7	#10 X .75 WASHER FACED SS HEX SCREW	2

# Exciter & Stator

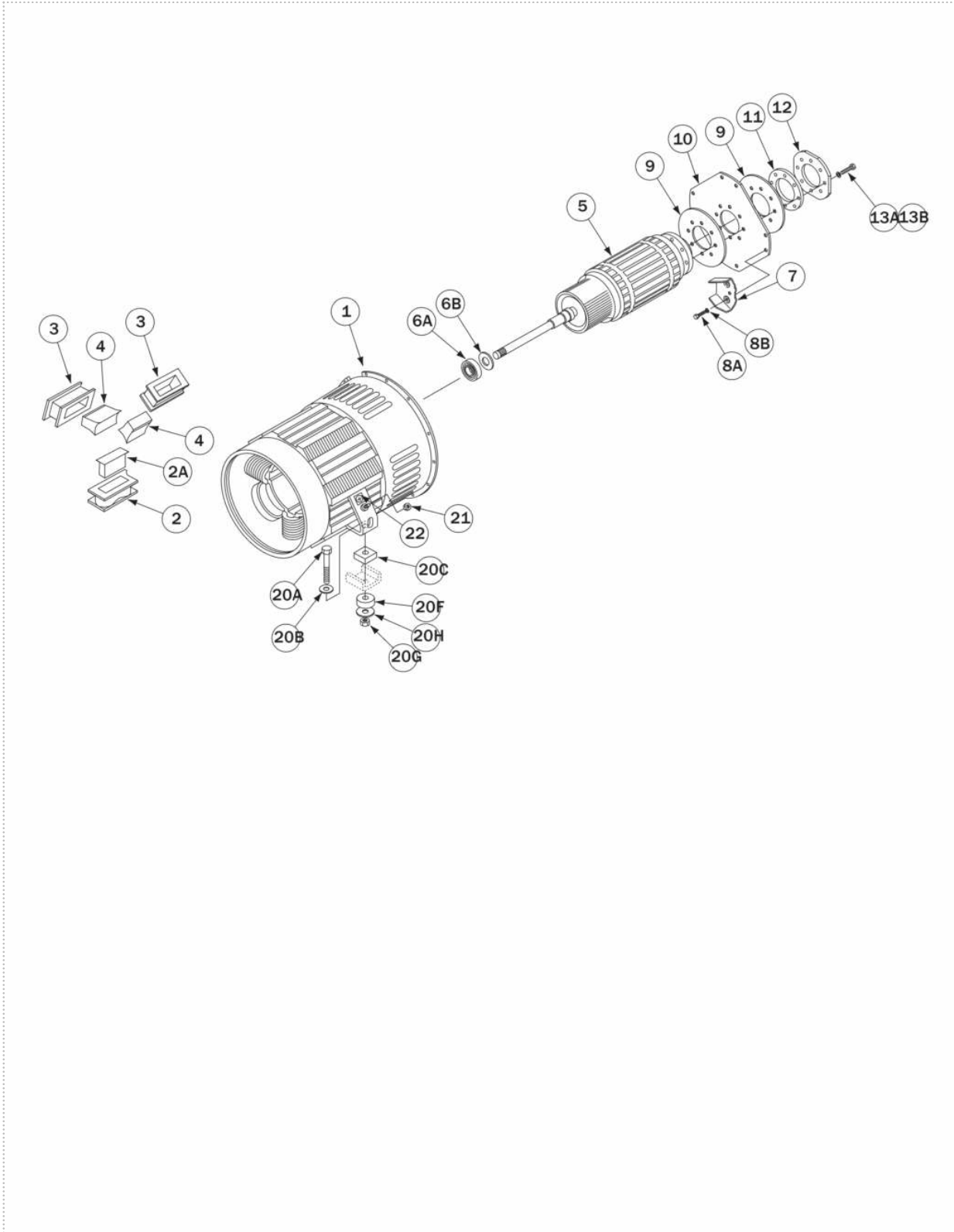


P-869-J.jpg

## Welding Generator & Coupling

KEY	PART NUMBER	DESCRIPTION	QTY
	9SL8576-13	GENERATOR ASBLY	1
1	9SL9137-4	FRAME TURNING SECTION	1
	9SS12261-26	INTERPOLE COIL & LAMINATION	4
2	9SS12261-26A	INTERPOLE COIL	4
2A	9SS12260-8	INTERPOLE LAMINATION ASBLY	4
3	9SL1741-82	SHUNT COIL-TOP	1
	9SL1741-83	SHUNT COIL-BOTTOM	1
	9SL16319-2	MAIN POLE COIL-SERIES BOTTOM	1
	9SL16319-1	MAIN POLE COIL-SERIES TOP	1
4	9SS10745-14	MAINPOLE ASBLY	4
5	9SM7014-14	ARMATURE ASBLY	1
6A	9SM9300-180	BEARING 6308 SEALED	1
6B	9SS18541	BEARING SHOULDER RING	1
7	9SM14361	BLOWER PADDLE-SET OF 4	1
8B	9SE106A-8	LOCKWASHER	8
9	9SS8042	COUPLING DISC BACKING PLATE	2
10	9SM6730	COUPLING DISC	1
11	9SS14233	COUPLING CLAMP RING-INSIDE	1
12	9SS14232	COUPLING CLAMP RING-OUTSIDE	1
13B	9SE106A-8	LOCKWASHER	8
20A	9SCF000123	1/2-13X2.75HHCS	1
20B	9SS9262-1	PLAIN WASHER	1
20C	9ST8823	RUBBER PAD	1
20F	9ST8822	RUBBER PAD	1
20G	9ST9187-4	LOCKNUT	1
20H	9SS9262-5	PLAIN WASHER	1
21	9SCF000067	3/8-16HN	1
22	9ST13260-4	DECAL-EARTH GROUND CONN	1

# Welding Generator & Coupling



P-869-K.jpg

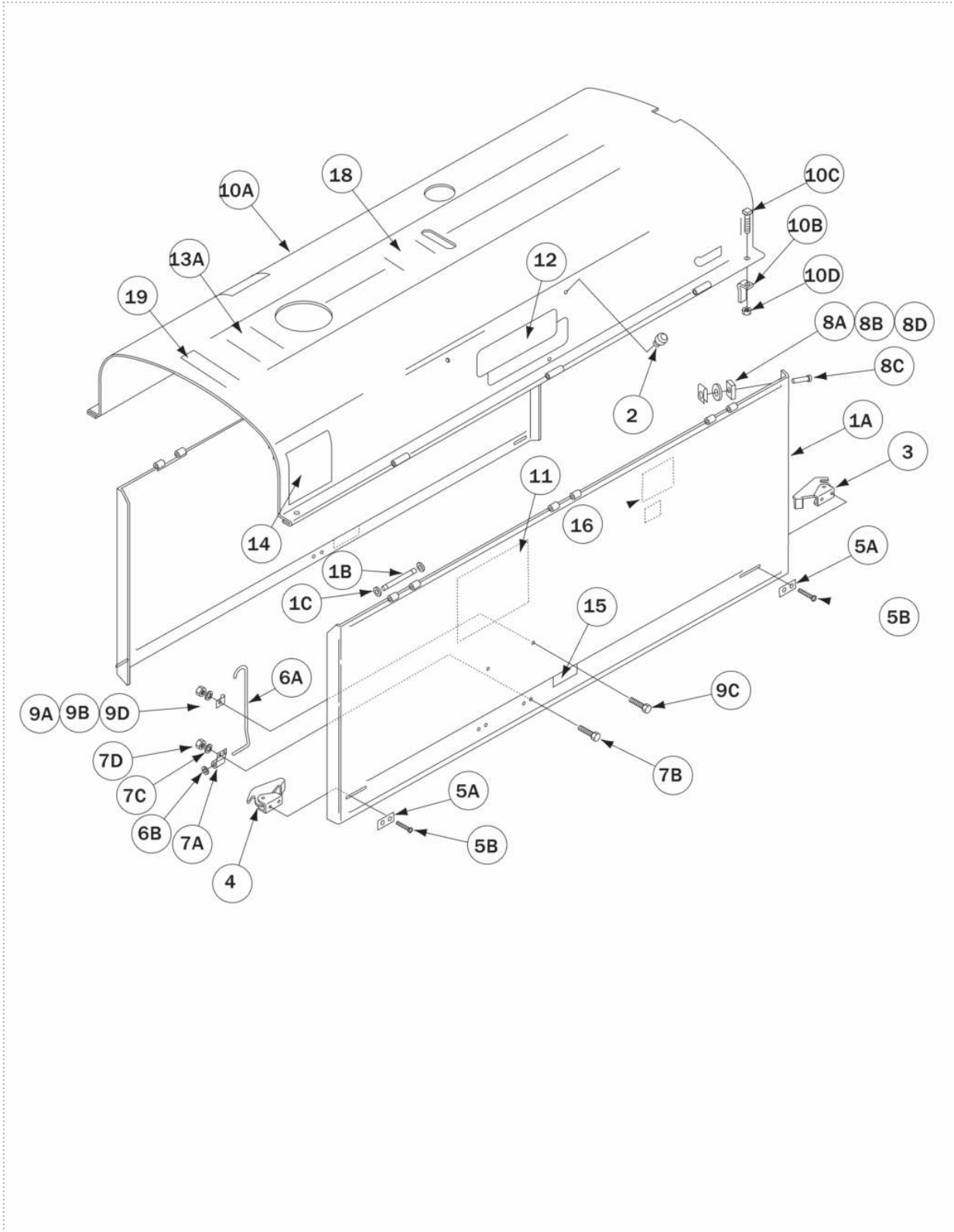
## Roof & Doors

KEY	PART NUMBER	DESCRIPTION	QTY
1A	9SL6659-G	DOOR	2
1B	9SS20295	DOOR HINGE PIN	4
1C	9SS9776-62	RETAINING RING	8
2	9ST15154	DOOR BUMPER	4
3	9SS10656-3	DOOR HOOK ASBLY	1
	9SS10656-1	DOOR HOOK ASBLY	1
4	9SS10656-4	DOOR HOOK ASBLY	1
	9SS10656-2	DOOR HOOK ASBLY	1
5A	9ST10878	WASHER	4
5B	9SS8025-92	SELF TAPPING SCREW	8
6A	9SM16696	DOOR SUPPORT ROD	2
6B	9ST10982-7	SPEED CLIP	2
7A	9SS20289	DOOR SUPT BRKT	2
7B	9SCF000012	1/4-20X.50HHCS	4
7C	9SE106A-2	LOCKWASHER	4
7D	9SCF000017	1/4-20HN	4
8A	9SS21463	DOOR BUMPER	8
8B	9SS9262-98	PLAIN WASHER	8
8C	9SM8834-1	RIVET	8
8D	9ST10982-7	SPEED CLIP	8
9A	9SS20290	SPRING CLIP	2
9B	9ST9695-1	LOCKWASHER	2
9C	9SCF000335	#10-24X.312 PPNHS	2
9D	9ST9187-9	#10-24HLN	2
10A	9SL5193-5	ROOF	1
10B	9SS13593	ROOF MTG ANGLE	2
10C	9SCF000258	5/16-18X1.50SQHS	2
10D	9ST9187	LOCKNUT	2
	9ST9428	ROOF MOUNTING ANGLE	2
	9SCF000180	5/16-18X1.25SQHS-FULL-GR2-1817/1	2
	9ST9187	LOCKNUT	2
11	9SM25547	DECAL-WIRING DIAGRAM	1
12	9SS27368-6	LOGO DECAL	2
13A	9ST13086-205	FUEL WARNING DECAL	1

## Roof & Doors

KEY	PART NUMBER	DESCRIPTION	QTY
14	9SS20601-5	WARNING DECAL	1
15	9ST11030	DECAL-DOOROPEN-CLOSE	2
16	9SS29909	DECAL-ENGINE SERVICE PERKINS	1
	9SM17238	INSTRUCTION TAG	1
18	9SS25896	DECAL-WARNING	1
19	9SM21436	CARBON MONOXIDE WARNING DECAL	1

# Roof & Doors



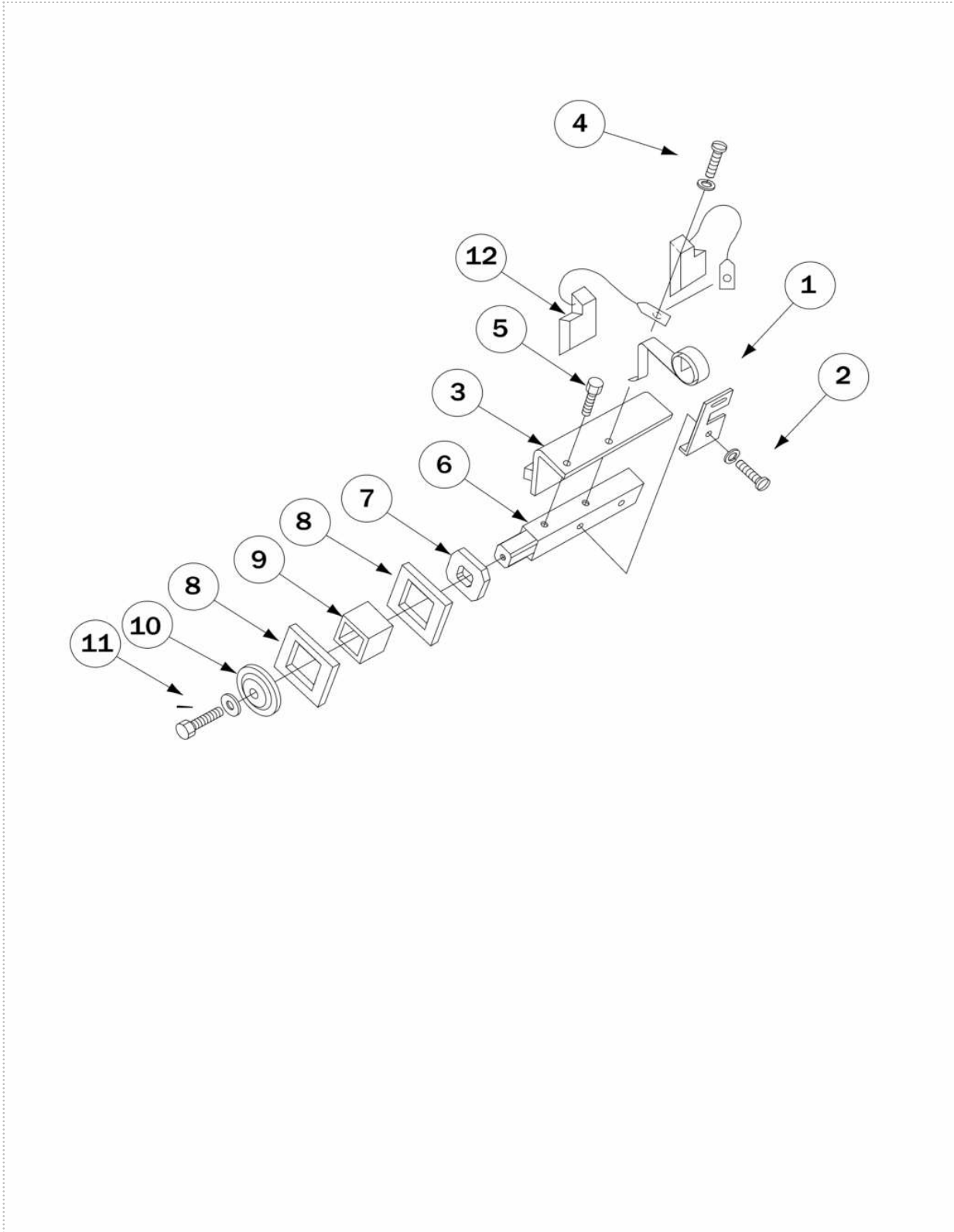
P-869-L.jpg

## Generator Brush Holder

KEY	PART NUMBER	DESCRIPTION	QTY
	9SM6964-2A	BRUSH HOLDER ASBLY	4
1	9ST8495	BRUSH HOLDER SPRING & CLIP ASBLY	2
2	9ST10082-20	SEMS SCREW	2
3	9SS27088-1	BRUSH HOLDER PLATE & RETAINER ASBLY	1
5	9SCF000040	5/16-18X.75HHCS	2
6	9SM6963-4	BRUSH HOLDER STUD	1
7	9ST9020	PLAIN WASHER	1
8	9ST4479	INSULATING WASHER	2
9	9SS13721-1	BRUSH HOLDER STUD INSULATION	1
10	9ST2414	CLAMPING WASHER	1
11	9SCF000019	3/8-16X1.00HHCS 10	1
	9SE106A-16	LOCKWASHER	1
12	9ST2687	BRUSH	8



# Generator Brush Holder



P-869-M.jpg

			
<b>WARNING</b>	<ul style="list-style-type: none"> <li>Do not touch electrically live parts or electrode with skin or wet clothing.</li> <li>Insulate yourself from work and ground.</li> </ul>	<ul style="list-style-type: none"> <li>Keep flammable materials away.</li> </ul>	<ul style="list-style-type: none"> <li>Wear eye, ear and body protection.</li> </ul>
Spanish <b>AVISO DE PRECAUCION</b>	<ul style="list-style-type: none"> <li>No toque las partes o los electrodos bajo carga con la piel o ropa mojada.</li> <li>Aíslese del trabajo y de la tierra.</li> </ul>	<ul style="list-style-type: none"> <li>Mantenga el material combustible fuera del área de trabajo.</li> </ul>	<ul style="list-style-type: none"> <li>Protéjase los ojos, los oídos y el cuerpo.</li> </ul>
French <b>ATTENTION</b>	<ul style="list-style-type: none"> <li>Ne laissez ni la peau ni des vêtements mouillés entrer en contact avec des pièces sous tension.</li> <li>Isolez-vous du travail et de la terre.</li> </ul>	<ul style="list-style-type: none"> <li>Gardez à l'écart de tout matériel inflammable.</li> </ul>	<ul style="list-style-type: none"> <li>Protégez vos yeux, vos oreilles et votre corps.</li> </ul>
German <b>WARNUNG</b>	<ul style="list-style-type: none"> <li>Berühren Sie keine stromführenden Teile oder Elektroden mit Ihrem Körper oder feuchter Kleidung!</li> <li>Isolieren Sie sich von den Elektroden und dem Erdboden!</li> </ul>	<ul style="list-style-type: none"> <li>Entfernen Sie brennbares Material!</li> </ul>	<ul style="list-style-type: none"> <li>Tragen Sie Augen-, Ohren- und Körperschutz!</li> </ul>
Portuguese <b>ATENÇÃO</b>	<ul style="list-style-type: none"> <li>Não toque partes elétricas e electrodos com a pele ou roupa molhada.</li> <li>Isole-se da peça e terra.</li> </ul>	<ul style="list-style-type: none"> <li>Mantenha inflamáveis bem guardados.</li> </ul>	<ul style="list-style-type: none"> <li>Use proteção para a vista, ouvido e corpo.</li> </ul>
Japanese <b>注意事項</b>	<ul style="list-style-type: none"> <li>通電中の電気部品、又は溶材にヒブやぬれた布で触れないこと。</li> <li>施工物やアースから身体が絶縁されている様にして下さい。</li> </ul>	<ul style="list-style-type: none"> <li>燃えやすいものの側での溶接作業は絶対にしてはなりません。</li> </ul>	<ul style="list-style-type: none"> <li>目、耳及び身体に保護具をして下さい。</li> </ul>
Chinese <b>警告</b>	<ul style="list-style-type: none"> <li>皮肤或湿衣物切勿接触带电部件及焊条。</li> <li>使你自已与地面和工件绝缘。</li> </ul>	<ul style="list-style-type: none"> <li>把一切易燃物品移离工作场所。</li> </ul>	<ul style="list-style-type: none"> <li>佩戴眼、耳及身体劳动保护用具。</li> </ul>
Korean <b>위험</b>	<ul style="list-style-type: none"> <li>전도체나 용접봉을 젖은 헝겊 또는 피부로 절대 접촉치 마십시오.</li> <li>모재와 접지를 접촉치 마십시오.</li> </ul>	<ul style="list-style-type: none"> <li>인화성 물질을 접근시키지 마십시오.</li> </ul>	<ul style="list-style-type: none"> <li>눈, 귀와 몸에 보호장구를 착용하십시오.</li> </ul>
Arabic <b>تحذير</b>	<ul style="list-style-type: none"> <li>لا تلمس الاجزاء التي يسري فيها التيار الكهربائي أو الألكترود بجسدك أو بالملابس المبللة بالماء.</li> <li>ضع عازلا على جسمك خلال العمل.</li> </ul>	<ul style="list-style-type: none"> <li>ضع المواد القابلة للاشتعال في مكان بعيد.</li> </ul>	<ul style="list-style-type: none"> <li>ضع أدوات وملابس واقية على عينيك وأذنيك وجسمك.</li> </ul>

**READ AND UNDERSTAND THE MANUFACTURER'S INSTRUCTION FOR THIS EQUIPMENT AND THE CONSUMABLES TO BE USED AND FOLLOW YOUR EMPLOYER'S SAFETY PRACTICES.**

**SE RECOMIENDA LEER Y ENTENDER LAS INSTRUCCIONES DEL FABRICANTE PARA EL USO DE ESTE EQUIPO Y LOS CONSUMIBLES QUE VA A UTILIZAR, SIGA LAS MEDIDAS DE SEGURIDAD DE SU SUPERVISOR.**

**LISEZ ET COMPRENEZ LES INSTRUCTIONS DU FABRICANT EN CE QUI REGARDE CET EQUIPMENT ET LES PRODUITS A ETRE EMPLOYES ET SUIVEZ LES PROCEDURES DE SECURITE DE VOTRE EMPLOYEUR.**

**LESEN SIE UND BEFOLGEN SIE DIE BETRIEBSANLEITUNG DER ANLAGE UND DEN ELEKTRODENEINSATZ DES HERSTELLERS. DIE UNFALLVERHÜTUNGSVORSCHRIFTEN DES ARBEITGEBERS SIND EBENFALLS ZU BEACHTEN.**

			
<ul style="list-style-type: none"> <li>● Keep your head out of fumes.</li> <li>● Use ventilation or exhaust to remove fumes from breathing zone.</li> </ul>	<ul style="list-style-type: none"> <li>● Turn power off before servicing.</li> </ul>	<ul style="list-style-type: none"> <li>● Do not operate with panel open or guards off.</li> </ul>	<b>WARNING</b>
<ul style="list-style-type: none"> <li>● Los humos fuera de la zona de respiración.</li> <li>● Mantenga la cabeza fuera de los humos. Utilice ventilación o aspiración para gases.</li> </ul>	<ul style="list-style-type: none"> <li>● Desconectar el cable de alimentación de poder de la máquina antes de iniciar cualquier servicio.</li> </ul>	<ul style="list-style-type: none"> <li>● No operar con panel abierto o guardas quitadas.</li> </ul>	Spanish <b>AVISO DE PRECAUCION</b>
<ul style="list-style-type: none"> <li>● Gardez la tête à l'écart des fumées.</li> <li>● Utilisez un ventilateur ou un aspirateur pour ôter les fumées des zones de travail.</li> </ul>	<ul style="list-style-type: none"> <li>● Débranchez le courant avant l'entretien.</li> </ul>	<ul style="list-style-type: none"> <li>● N'opérez pas avec les panneaux ouverts ou avec les dispositifs de protection enlevés.</li> </ul>	French <b>ATTENTION</b>
<ul style="list-style-type: none"> <li>● Vermeiden Sie das Einatmen von Schweißrauch!</li> <li>● Sorgen Sie für gute Be- und Entlüftung des Arbeitsplatzes!</li> </ul>	<ul style="list-style-type: none"> <li>● Strom vor Wartungsarbeiten abschalten! (Netzstrom völlig öffnen; Maschine anhalten!)</li> </ul>	<ul style="list-style-type: none"> <li>● Anlage nie ohne Schutzgehäuse oder Innenschutzverkleidung in Betrieb setzen!</li> </ul>	German <b>WARNUNG</b>
<ul style="list-style-type: none"> <li>● Mantenha seu rosto da fumaça.</li> <li>● Use ventilação e exaustão para remover fumo da zona respiratória.</li> </ul>	<ul style="list-style-type: none"> <li>● Não opere com as tampas removidas.</li> <li>● Desligue a corrente antes de fazer serviço.</li> <li>● Não toque as partes elétricas nuas.</li> </ul>	<ul style="list-style-type: none"> <li>● Mantenha-se afastado das partes moventes.</li> <li>● Não opere com os painéis abertos ou guardas removidas.</li> </ul>	Portuguese <b>ATENÇÃO</b>
<ul style="list-style-type: none"> <li>● ヒュームから頭を離すようにして下さい。</li> <li>● 換気や排煙に十分留意して下さい。</li> </ul>	<ul style="list-style-type: none"> <li>● メンテナンス・サービスに取りかかる際には、まず電源スイッチを必ず切して下さい。</li> </ul>	<ul style="list-style-type: none"> <li>● パネルやカバーを取り外したまま機械操作をしないで下さい。</li> </ul>	Japanese <b>注意事項</b>
<ul style="list-style-type: none"> <li>● 頭部遠離煙霧。</li> <li>● 在呼吸區使用通風或排風器除煙。</li> </ul>	<ul style="list-style-type: none"> <li>● 維修前切斷電源。</li> </ul>	<ul style="list-style-type: none"> <li>● 儀表板打開或沒有安全罩時不準作業。</li> </ul>	Chinese <b>警告</b>
<ul style="list-style-type: none"> <li>● 얼굴로부터 용접가스를 멀리하십시오.</li> <li>● 호흡지역으로부터 용접가스를 제거하기 위해 가스제거기나 통풍기를 사용하십시오.</li> </ul>	<ul style="list-style-type: none"> <li>● 보수전에 전원을 차단하십시오.</li> </ul>	<ul style="list-style-type: none"> <li>● 판넬이 열린 상태로 작동치 마십시오.</li> </ul>	Korean <b>위험</b>
<ul style="list-style-type: none"> <li>● ابعد رأسك بعيداً عن الدخان.</li> <li>● استعمل التهوية أو جهاز ضغط الدخان للخارج لكي تبعد الدخان عن المنطقة التي تتنفس فيها.</li> </ul>	<ul style="list-style-type: none"> <li>● أقطع التيار الكهربائي قبل القيام بأية صيانة.</li> </ul>	<ul style="list-style-type: none"> <li>● لا تشغيل هذا الجهاز اذا كانت الاغطية الحديدية الواقية ليست عليه.</li> </ul>	Arabic <b>تحذير</b>

**LEIA E COMPREENDA AS INSTRUÇÕES DO FABRICANTE PARA ESTE EQUIPAMENTO E AS PARTES DE USO, E SIGA AS PRÁTICAS DE SEGURANÇA DO EMPREGADOR.**

使う機械や溶材のメーカーの指示書をよく読み、まず理解して下さい。そして貴社の安全規定に従って下さい。

請詳細閱讀並理解製造廠提供的說明以及應該使用的銀焊材料，並請遵守貴方的有關勞動保護規定。

이 제품에 동봉된 작업지침서를 숙지하시고 귀사의 작업자 안전수칙을 준수하시기 바랍니다.

اقرأ بتمعن وافهم تعليمات المصنع المنتج لهذه المعدات والمواد قبل استعمالها واتبع تعليمات الوقاية لصاحب العمل.

## **CUSTOMER ASSISTANCE POLICY**

The business of The Lincoln Electric Company is manufacturing and selling high quality welding equipment, consumables, and cutting equipment. Our challenge is to meet the needs of our customers and to exceed their expectations. On occasion, purchasers may ask Lincoln Electric for advice or information about their use of our products. We respond to our customers based on the best information in our possession at that time. Lincoln Electric is not in a position to warrant or guarantee such advice, and assumes no liability, with respect to such information or advice. We expressly disclaim any warranty of any kind, including any warranty of fitness for any customer's particular purpose, with respect to such information or advice. As a matter of practical consideration, we also cannot assume any responsibility for updating or correcting any such information or advice once it has been given, nor does the provision of information or advice create, expand or alter any warranty with respect to the sale of our products.

Lincoln Electric is a responsive manufacturer, but the selection and use of specific products sold by Lincoln Electric is solely within the control of, and remains the sole responsibility of the customer. Many variables beyond the control of Lincoln Electric affect the results obtained in applying these types of fabrication methods and service requirements.

Subject to Change – This information is accurate to the best of our knowledge at the time of printing. Please refer to [www.lincolnelectric.com](http://www.lincolnelectric.com) for any updated information.



**THE LINCOLN ELECTRIC COMPANY**

22801 St. Clair Avenue • Cleveland, OH • 44117-1199 • U.S.A.  
Phone: +1.216.481.8100 • [www.lincolnelectric.com](http://www.lincolnelectric.com)