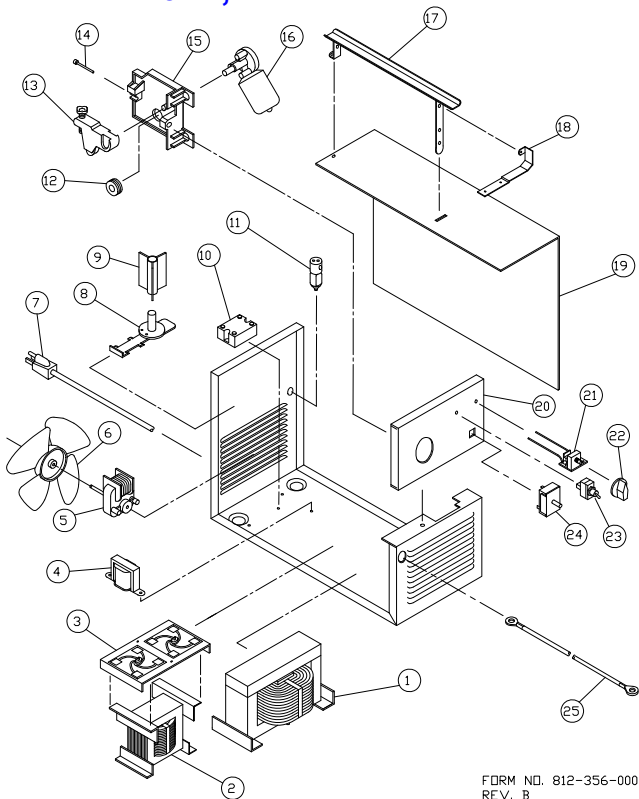


REPLACEMENT PARTS LIST  
POWER-MATE 75 AMP WIRE FEED WELDER  
MODEL **117-027, WFWT**



# 117-027, WFWT Powermate 75 Amp Wirefeed Welder

Item	Lincoln Stock #	Customer #	Description
1		860-904-888	Main weld transformer
2		860-903-888	Reactor Coil w/ thermostat
		<b>246-169-000</b> (Klixon <b>7AM028A10</b> )	Thermostat only
3		<b>860-905-666</b>	Rectifier assy.
4		860-902-888	Control Transformer (120Vac - 24Vac)
5	216-087-666	216-087-666	Fan motor
6		<b>316-009-000</b>	Fan blade
7		248-185-666	Power cord
8	312-076-666	312-076-666	Wire spindle
9	312-110-666	<b>312-087-666</b>	Spool adapter
10	216-055-666	216-055-666	Triac relay
11	246-086-666	246-086-666	Gas solenoid
12	310-122-500	4323	Drive roller, 0.024 / 0.030 / 0.035
13		880-089-666 <b>312-107-000</b>	Tension arm only
14		239-123-666 <b>239-208-000</b>	Inlet guide tube
15		312-103-666 <b>312-144-000</b>	Drive base only
16	216-079-666	216-079-666	Drive Motor w/gearbox
17		880-012-010	Handle
18		412-278-010	Hood hinge
19		410-568-010	Right side panel
20		410-565-050	Front panel
21		<b>880-094-666</b>	Wire speed control assy
22	246-041-666	246-041-666	Knob

Item	Lincoln Stock #	Customer #	Description
23		246-210-666	Power switch
24		246-057-666	Switch
25		238-223-666	Ground cable

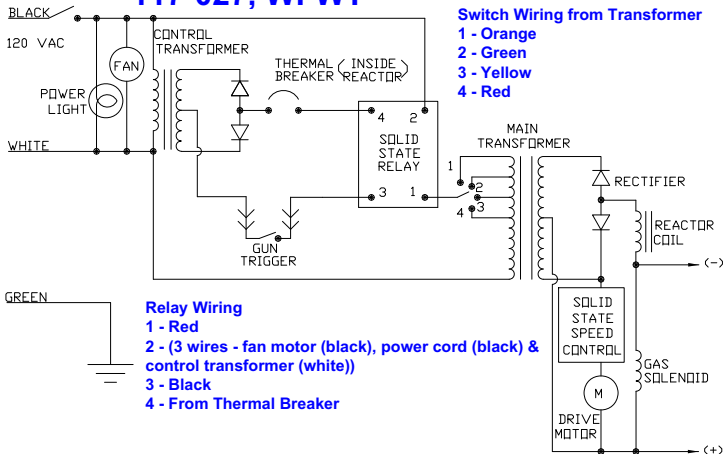
## Not Shown

<b>26</b>	<b>238-155-000</b>	<b>4320</b>	<b>10' Mig Gun less tip and nozzle</b>
<b>27</b>	<b>KP1937-1</b>	<b>4331</b>	<b>Steel liner</b>
<b>28</b>	<b>KP1959-1</b>	<b>4325</b>	<b>Teflon liner</b>
29		410-557-010	Left side panel
30		410-575-020	Hood
31		218-942-666	Polarity Jumper
32		412-280-666	Gun Connector
33	334-203-000	43480	Steel welding nozzle
34	334-210-300	43300	Aluminum welding nozzle
35	334-211-300	43290	Spot welding nozzle
36	334-159-300	43090	0.024 Contact Tips (6)
37	334-160-300	43100	0.030 Contact Tips (6)
38	334-228-000	334-228-000	Gas diffuser
39		334-217-000 (35-70)	Insulation
40		334-219-000 (35-80A-1)	Handle Cap
41		084-019-000	Set Screw, #8-32 X 1/8"
42	334-221-000	35-90	Trigger
42		<b>860-744-000</b>	Trigger harness
43	Standard Hardware Item		6-32 X 7/16" screw for trigger

Model	Primary Input	Input Plug	Duty Cycle at Rated Output
117-027	120V, 15 amp	15A	20%

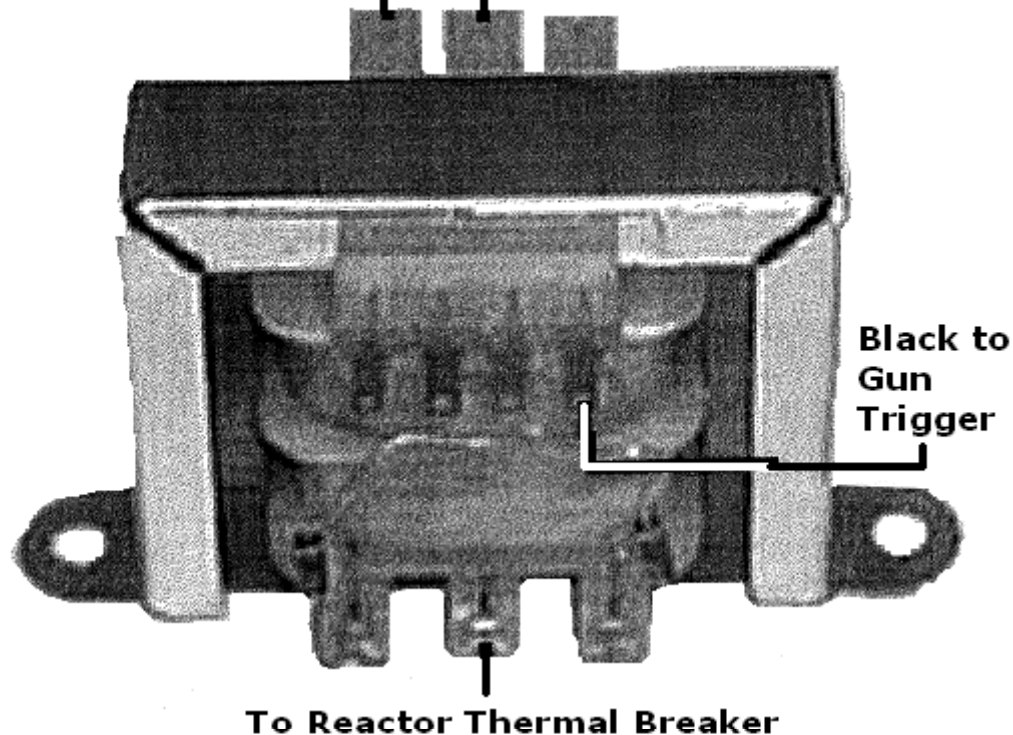
Rated Output	Voltage Settings	Agency Listing	Max Output
75 amps	4	UL	75 amps, gas only

# 117-027, WFWT



**White from Power Cord**

**Black to Triac #2**



**860-902-888 used on 117-026 to 117-029**