

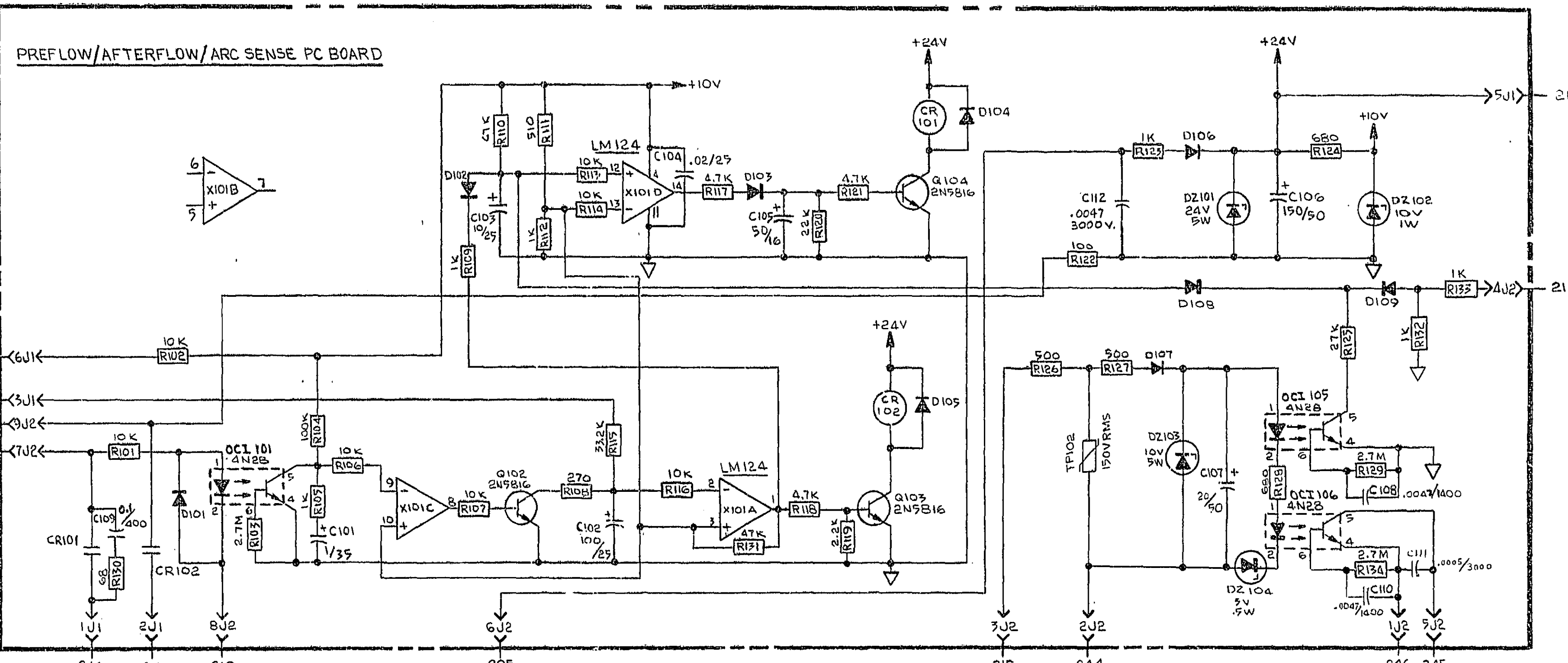
GENERAL INFORMATION

ELECTRICAL SYMBOLS PER E-1537
CAPACITORS = MFD/VOLTS DC
RESISTORS = OHMS, 1/2 WATT (UNLESS OTHERWISE SPECIFIED)
DIODES = 1 AMP / 400 VOLTS (UNLESS OTHERWISE SPECIFIED)
= COMMON CONNECTION

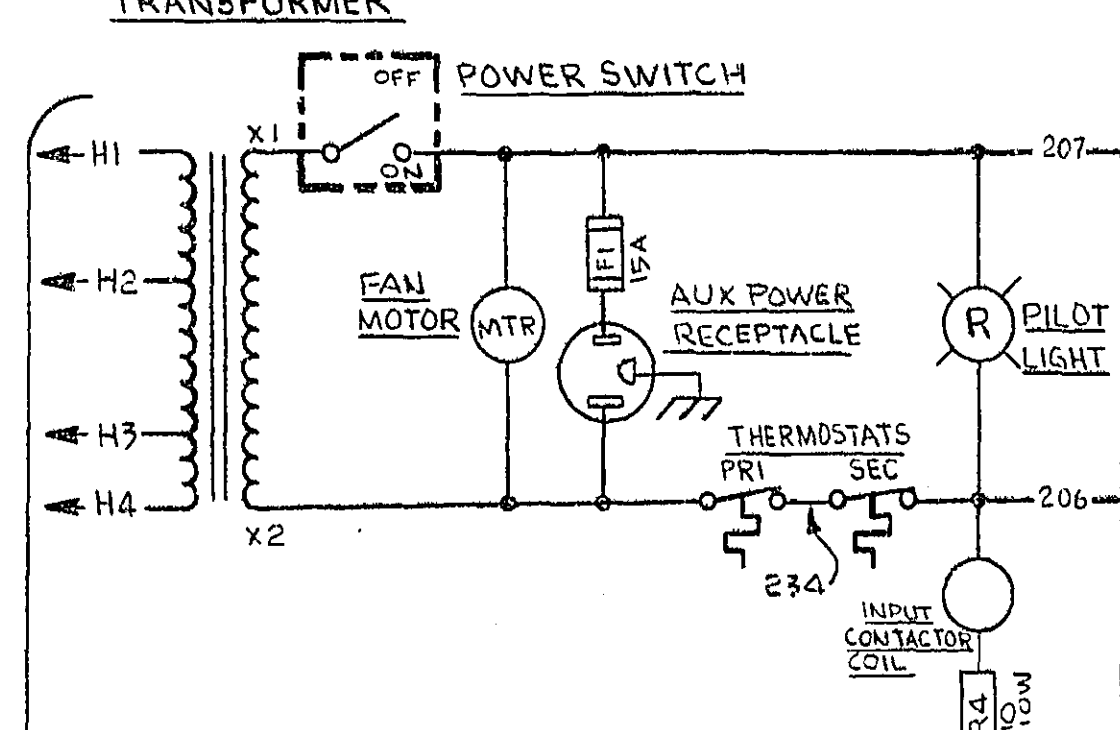


CONNECTOR J1
(AS VIEWED FROM COMPONENT SIDE OF BOARD)
CONNECTORS J2, J3

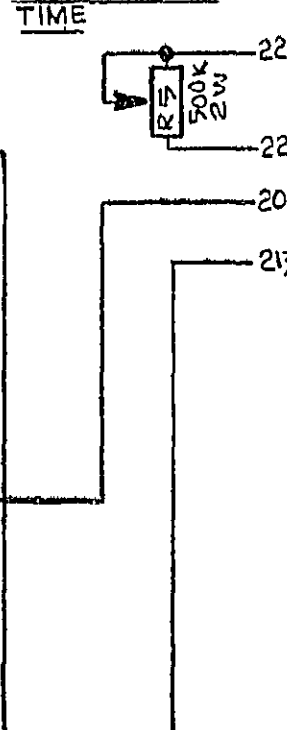
PREFLOW/AFTERFLOW/ARC SENSE PC BOARD



AUXILIARY POWER TRANSFORMER

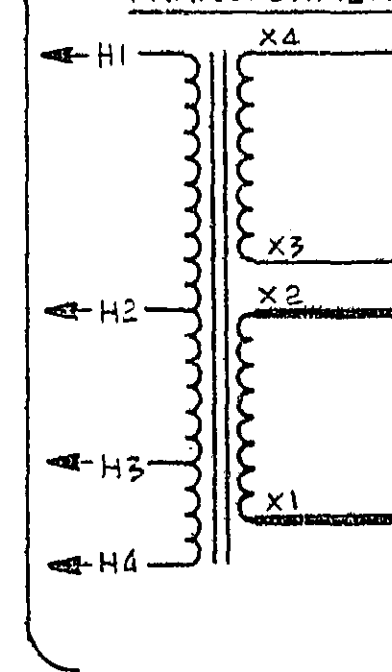


AFTERFLOW TIME



TO INPUT VOLTAGE RECONNECT PANEL AND INPUT LINE CONTACTOR - SEE WIRING DIAGRAM FOR CONNECTIONS AND POWER FACTOR CORRECTION OPTION.

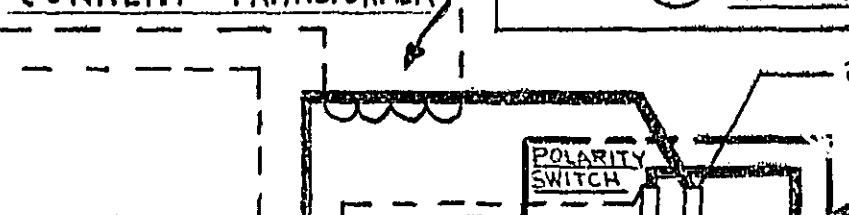
MAIN TRANSFORMER



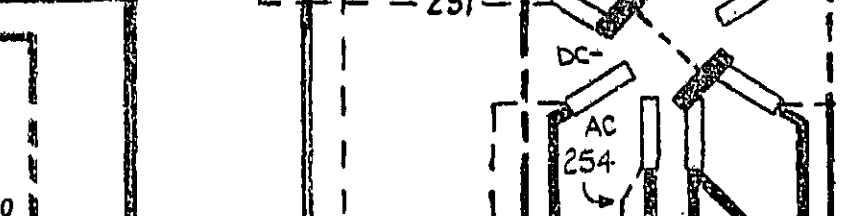
CURRENT TRANSFORMER



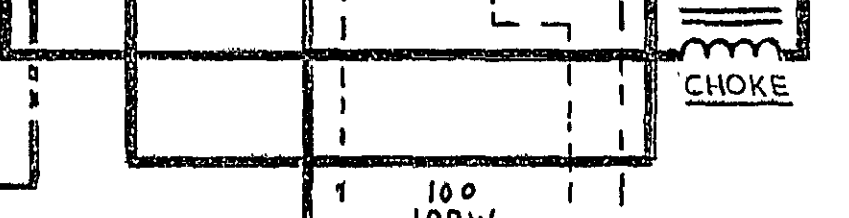
WELD MODE SWITCH



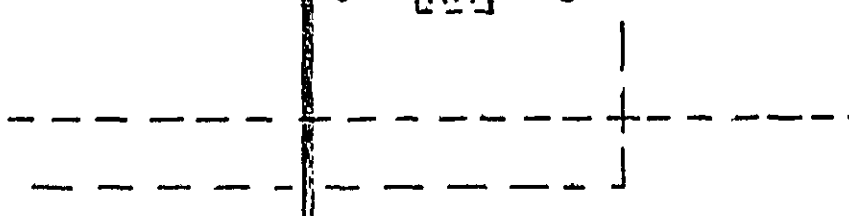
SHUNT



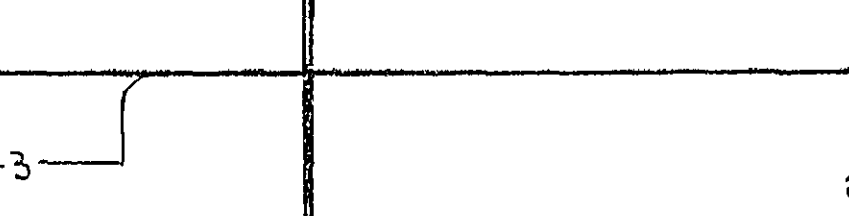
OUTPUT POWER RECTIFIER



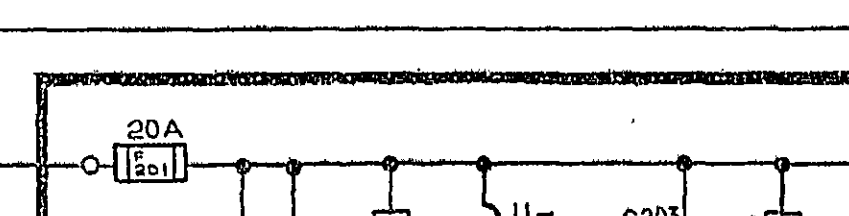
SATURABLE REACTOR



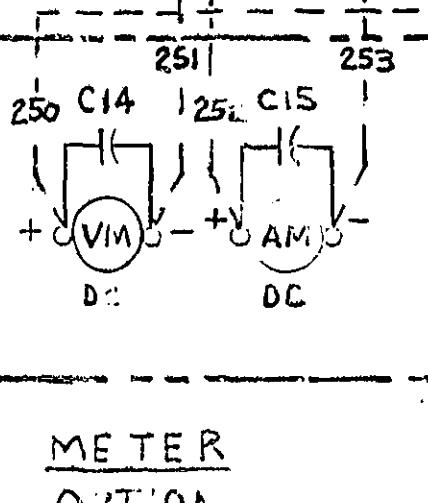
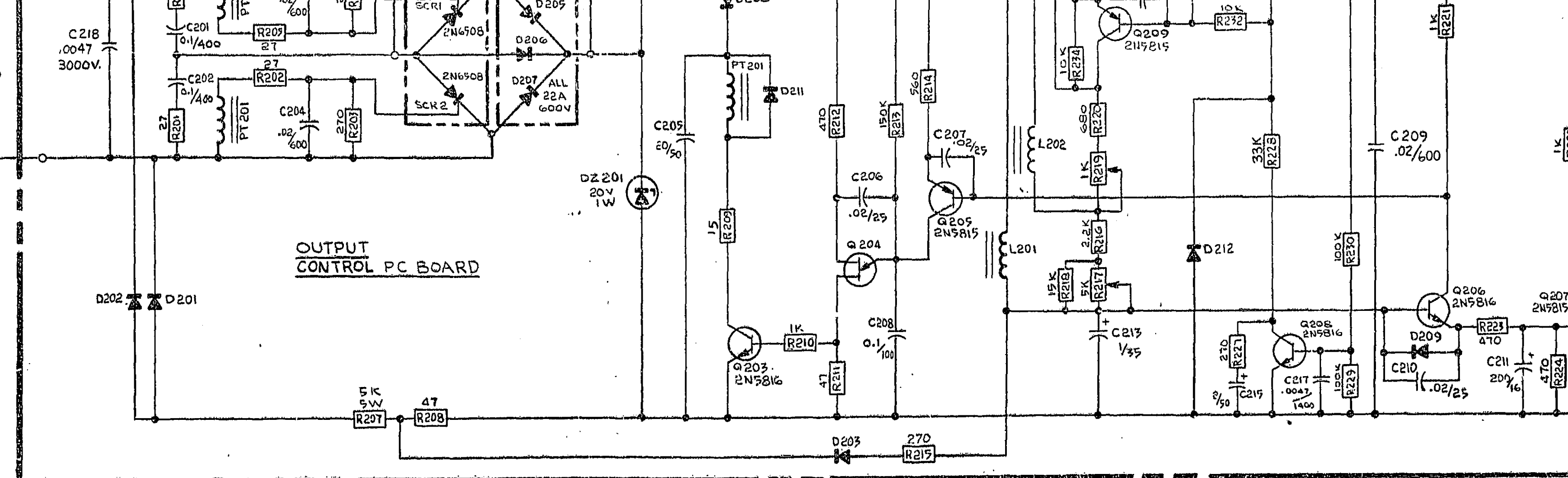
DC CONTROL COILS



RANGE SWITCH



OUTPUT CONTROL PC BOARD



NOTE:
SINCE COMPONENTS OR CIRCUITRY ON A PRINTED CIRCUIT BOARD MAY CHANGE WITHOUT AFFECTING THE INTERCHANGEABILITY OF A COMPLETE BOARD, THIS DIAGRAM MAY NOT SHOW THE EXACT COMPONENTS OR CIRCUITRY OF CONTROLS HAVING A COMMON CODE NUMBER.

