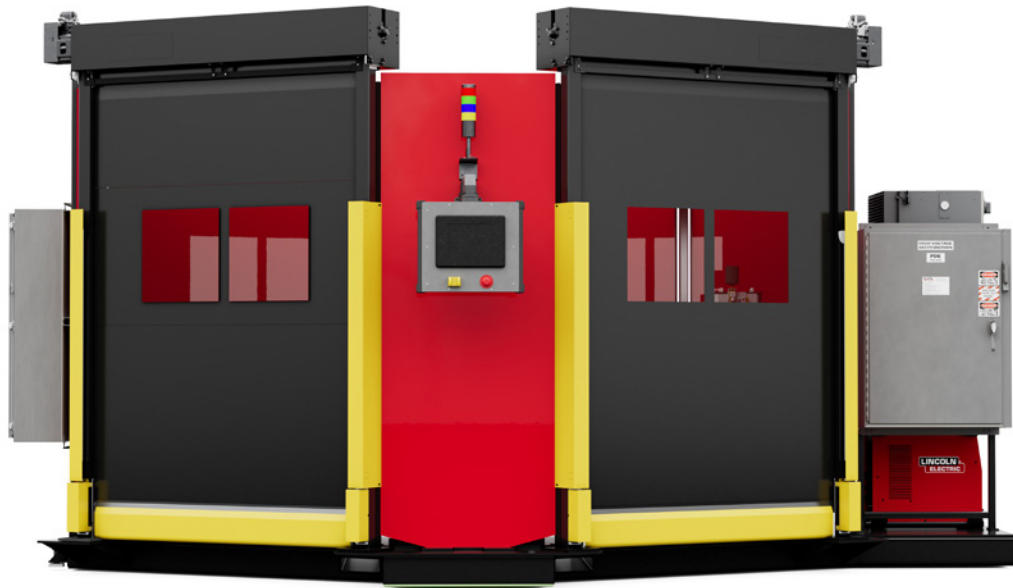


PRO-PAK[®] FHS S2SY

ARC WELDING



Render is for reference only and shows the following options:
Dual Robot Configuration, HMI Control Panel, Power REAM[®]
Torch Maintenance Station

DUAL STATION

Provides the ability to configure a variety of positioning equipment to heighten productivity.

- Two Headstock/Tailstock Positioners, Two Headstock Positioners, or Two Static Tables
- Ability to load parts and weld simultaneously for optimal productivity
- Dual station design reduces tool changeover time

KEY FEATURES

- Easy integration with major robot manufacturers
- Solid panel safety enclosure allows for more efficient fume extraction
- Modular platform base minimizes installation time
- Weld ground isolation reduces risk of electrical damage to the positioner or robot controller
- Robotic positioners are designed for maximum static and dynamic stiffness, reducing air-cut speeds
- Engineered for high duty use cycles

Industries »

Automotive
Transportation

Benefits »

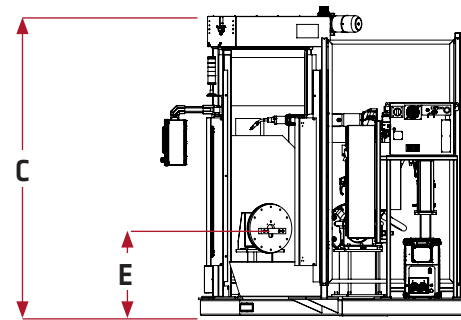
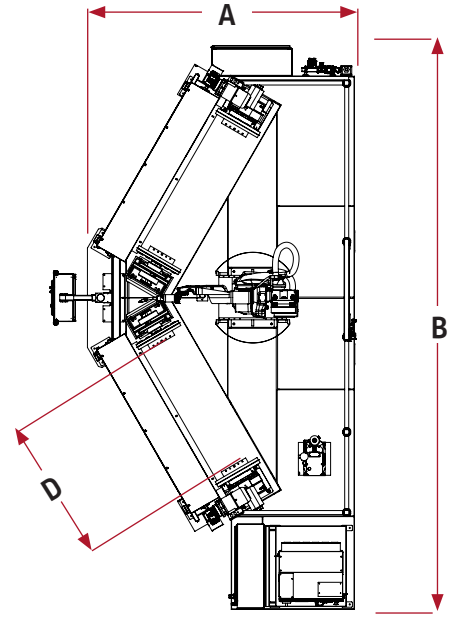
More Consistent Weld Quality
Simplified Cable Management
Weld Controller Integration
Multiple Robot Options
PLC/HMI Package
Ease of Installation
Seamless Re-Deployment
Compact Footprint
ANSI/RIA Safety Compliant

STANDARD CELL INCLUDES

- Two Headstock/Tailstock Positioners, Two Headstock Positioners, or Two Static Tables
- Modular Platform Base
- Solid Panel Safety Enclosure
- Manual Operator Station
- Single Robot Configuration
- FANUC® Robotic Arm with Controller
- Arc Welding Dressout Kit
- AutoDrive® 4R100 Wire Drive
- Power Wave® R450 Power Source
- Magnum® PRO Robotic 550 Weld Gun
- Power Ream® II Torch Maintenance Station
- High Voltage Power Distribution Panel
- Safety Light Curtains and Gate Switches
- Safety Roll-up Door
- System / Tooling Pneumatic Distribution Station
- Allen Bradley HMI / PLC Package
- Weld Shielding Gas Delivery Package
- Weld Wire Pay off Package
- Weld Wire Sensor
- Gas Flow Sensor
- External Axes

OPTIONS AVAILABLE

- 120VAC Operator Convenience Package
- Fume Extraction Hood
- PRISM® Compact Fume Extraction System



DIMENSIONS

A (Depth) in. (m)	B (Width) in. (m)	C (Height) in. (m)	D (Tool Length) In. (m)	Footprint in. (m)	E (Axes for Part Rotation) in. (m)	Number of Work Zones	Headstock/Tailstock lbs (kg)	Static Table lbs (kg)
99.6 (2.53)	209.8 (5.3)	114.8 (2.9)	39.37 (1)	99.6 (2.53) D, 209.8 (5.3) W, 114.8 (2.9) H	40.25 (1.02)	2	2,425.085 (1100)	2,425.085 (1100)

Important Note: Changes from recommended motor sizing, payload, duty cycles, cable routing, weld grounding (if applicable), other system specifications (i.e. servo parameters, controller stop parameter) and/or modifications may affect cycle times and overall performance. User assumes all responsibility for proper rigging, installation and machine setting alignments of product(s). Manufacturer's warranty is void to the extent any failure caused by improper installation, modification or operation by customer.

CUSTOMER ASSISTANCE POLICY

The business of The Lincoln Electric Company is manufacturing and selling high quality welding equipment, consumables, and cutting equipment. Our challenge is to meet the needs of our customers and to exceed their expectations. On occasion, purchasers may ask Lincoln Electric for information or advice about their use of our products. Our employees respond to inquiries to the best of their ability based on information provided to them by the customers and the knowledge they may have concerning the application. Our employees, however, are not in a position to verify the information provided or to evaluate the engineering requirements for the particular weldment. Accordingly, Lincoln Electric does not warrant or guarantee or assume any liability with respect to such information or advice. Moreover, the provision of such information or advice does not create, expand, or alter any warranty on our products. Any express or implied warranty that might arise from the information or advice, including any implied warranty of merchantability or any warranty of fitness for any customers' particular purpose is specifically disclaimed.

Lincoln Electric is a responsive manufacturer, but the selection and use of specific products sold by Lincoln Electric is solely within the control of, and remains the sole responsibility of the customer. Many variables beyond the control of Lincoln Electric affect the results obtained in applying these types of fabrication methods and service requirements.

Subject to Change – This information is accurate to the best of our knowledge at the time of printing. Please refer to www.lincolnelectric.com for any updated information.

THE ONLY SINGLE-SOURCE AUTOMATION PROVIDER

Lincoln Electric Automation™ has built a solutions portfolio to include all of the competencies to support your need to improve productivity, quality and safety. Lincoln Electric Automation can modify or completely customize the creation of your weld cell to meet those precise needs.

With a global network of facilities and people, you'll get quick response and personalized attention. Contact us for more information on the types of solutions available to help you produce faster, more repeatable, higher quality results.

www.lincolnelectric.com/automation

The Lincoln Electric Company
22801 St. Clair Avenue · Cleveland, OH · 44117-1199 · U.S.A.

www.lincolnelectric.com