

# Operator's Manual

# **VIKING™ 2450 Series** **Auto-Darkening Helmets** **with 4C™ Technology**



**GRAPHICS MAY VARY**



**Register your machine:**  
[www.lincolnelectric.com/register](http://www.lincolnelectric.com/register)

**Authorized Service and Distributor Locator:**  
[www.lincolnelectric.com/locator](http://www.lincolnelectric.com/locator)

**Save for future reference**

Date Purchased

Code: (ex: 10859)

Serial: (ex: U1060512345)

**IM10515** | Issue Date Jun-19

© Lincoln Global, Inc. All Rights Reserved.

22801 St. Clair Avenue • Cleveland, OH • 44117-1199 • U.S.A.  
Phone: +1.216.481.8100 • [www.lincolnelectric.com](http://www.lincolnelectric.com)

<b>TABLE OF CONTENTS</b>	<b>Page</b>
SAFETY WARNINGS – READ BEFORE USING	1
HELMET INFORMATION	2
SPECIFICATIONS	3
OPERATING INSTRUCTIONS	4
CARTRIDGE OPERATIONS/FEATURES	5
GRIND MODE OPERATION	6
HELMET CARE AND MAINTENANCE	7
SHADE GUIDE SETTINGS	7
CARTRIDGE AND LENS REPLACEMENT	8
TROUBLESHOOTING	9
WARRANTY INFORMATION	10
REPLACEMENT PARTS	10

## SAFETY WARNINGS – READ BEFORE USING

### WARNING

#### **ARC Rays can injure eyes and burn skin**



- Before welding, always inspect helmet and filter lens to be sure they are fitted properly, in good condition and not damaged.
- Check to see that the clear lens is clean and securely attached to the helmet.
- Always wear safety glasses or goggles under the welding helmet and protective clothing to protect your skin from radiation, burns and spatter.
- Ensure that optical radiation from other welder's arcs in the immediate area does not enter in from behind the helmet and auto-darkening filter.

**Note:** Auto-darkening filters in Lincoln helmets are designed to protect the user against harmful ultra-violet and infrared rays both in the dark and light states. No matter what shade the filter is set to, the UV/IR protection is always present.

#### **FUMES AND GASES can be dangerous to your health.**



- Keep your head out of fumes.
- Use enough ventilation or exhaust at the arc or both to keep fumes and gases from your breathing zone and general area.
- **When welding with electrodes which require special ventilation such as stainless or hard facing (see instructions on container or MSDS) or on lead or cadmium plated steel and other metals or coatings which produce highly toxic fumes, keep exposure as low as possible and within applicable OSHA PEL and ACGIH TLV limits using local exhaust or mechanical ventilation. In confined spaces or in some circumstances, outdoors, a respirator may be required. Additional precautions are also required when welding on galvanized steel.**

Refer to <http://www.lincolnelectric.com/safety>  
for additional safety information.

## HELMET INFORMATION

This Auto-Darkening Welding Helmet will automatically change from a light state (shade 3.5) to a dark state (Shade 5-13) when arc welding starts.

The filter automatically returns to a light state when the arc stops.

Match your welding application to the shade indicated on the shade chart.  
(See Page 6)

- Operating temperature: 14°F ~ 131°F (-10°C ~ 55°C).
- Do not use or open the auto-darkening filter if damaged by shock, vibration or pressure.
- Keep the sensors and solar cell clean. Clean the filter cartridge using a soapy water solution and soft cloth which should be damp but not saturated.

This Auto-Darkening Welding Helmet is designed for use with GMAW, GTAW, MMAW welding, or Plasma Arc and air carbon arc cutting.

The cartridge provides protection from harmful UV and IR radiation, in both dark and light states.

The cartridge contains four sensors to detect the light from the welding arc, resulting in the lens darkening to a selected welding shade.

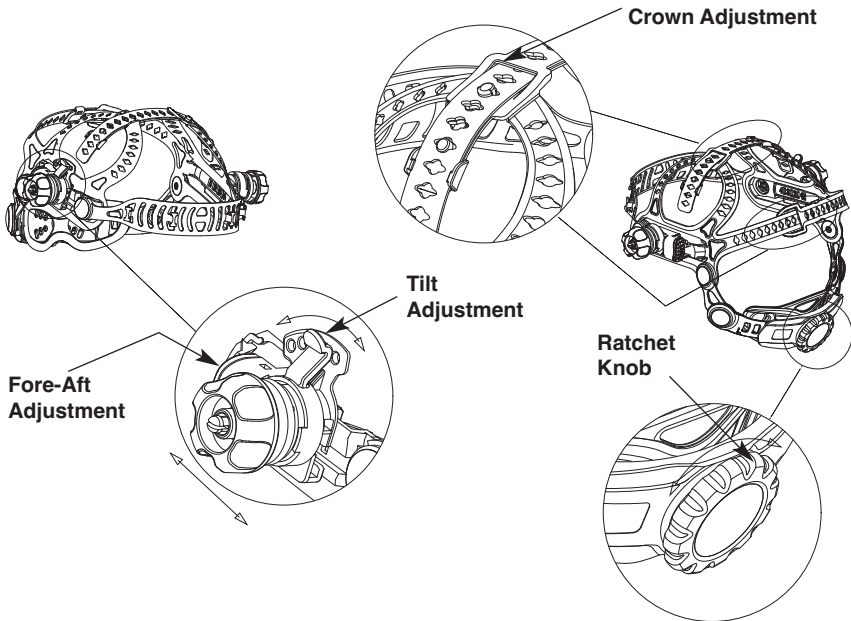
- Do not use solvents or abrasive cleaning detergent.
- If cover lens is spattered or covered with dirt, it should be replaced immediately.
- Use only replacement parts specified in this manual.
- Do not use the helmet without inside and outside cover lenses properly installed.

## SPECIFICATIONS

Optical Class	1/1/1/1
LCD Viewing Area	97 x 62mm (3.82 x 2.44in.)
Cartridge size	114 x 133mm (4.50 x 5.25in.)
UV/IR Protection	Up to Shade DIN 16 at all times
Arc Sensors	4
Light State Shade	DIN 3.5
Variable Welding Shades	DIN 5 to 13
Shade Control	Dial knob - full adjustment
Power Supply	Solar cell with battery assist
Low Battery Warning	Red Light
Grind Warning	Green Light
Battery	CR2450 Lithium (2 Required)
Power On/Off	Fully automatic
Light to Dark Switching Time	0.00004 sec. (1/25,000 sec.)
Dark to Light Switching Time	0.1 sec. (Short) to 1.0 sec. (Long)
Sensitivity Control	Variable
TIG Rating	DC ≥ 2 amps; AC ≥ 2 amps
Operating Temperature	14°F ~ 131°F (-10°C ~ 55°C)
Storage Temperature	-4° ~ 158°F (-20°C ~ 70°C)
Total Weight	Black 606g (21.37 Oz.) Graphic 613g (21.62 Oz.)
Compliance	ANSI Z87.1, CSA 94.3, EN379, AS/NZS 1338.1

# OPERATING INSTRUCTIONS

## Headgear Adjustment



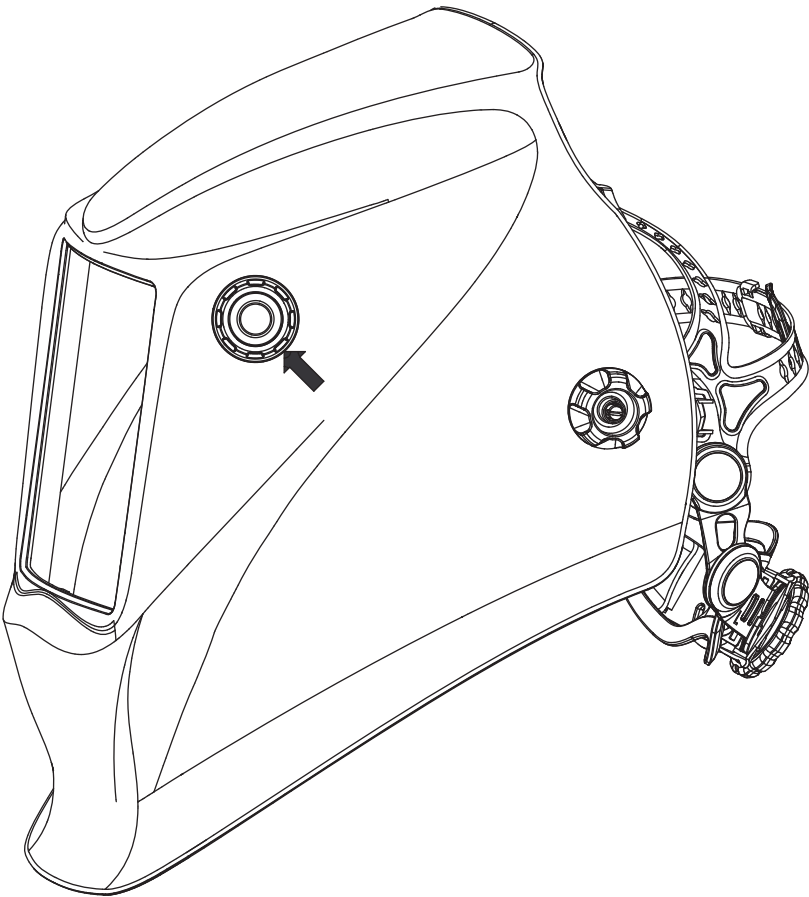
**HEAD SIZE ADJUSTMENT:** HEADGEAR TIGHTNESS is adjusted by turning the Ratchet Knob to the right or left for the desired head size. This knob is located at the back of the helmet. **HEADGEAR CROWN ADJUSTMENT** is made by adjusting the comfort then placing the strap under the guide and snapping the pins into the holes to lock securely in place.

**TILT:** Tilt adjustment is located on the right side of the helmet. Loosen the right headgear tension knob and push the top end of the adjustment lever outward until the lever's Stop Tab clears the notches. Then rotate the lever forward or back to the desired tilt position. The Stop will automatically engage again when released locking the helmet into position.

**FORE / AFT ADJUSTMENT:** Adjusts the distance between the user's face and lens. To adjust, slide and hold the spring loaded caps upward while moving the headgear into one of four slotted locations. Once the desired distance has been achieved let go of the cap and it will return to its resting position once the adapter is secured in one of the four slots. **NOTE:** Make sure both sides are equally positioned for proper orientation.

## GRIND BUTTON OPERATION

In order to switch the Auto Darkening Filter from a Cutting or Welding Shade into Grind Mode first locate the silicone button on the left side of the helmet. After the button has been located press and hold it for 3 seconds. A green LED on the cartridge should blink every 3 seconds after the button is pressed to indicate you are in Grind mode. To switch back to the previous Cutting or Welding shade simply press and hold the button for 3 seconds. Grind mode is intended for grinding only not for welding.



# CARTRIDGE OPERATION/FEATURES

## Variable Shade Control

The shade can be adjusted from shade 5 to 8 and 9 to 13 based upon welding process or application (refer to shade selection chart on page 6). Shade is adjusted by setting the shade range switch to the proper range, then use the shade dual scale dial to set the desired shade. The shade range switch and dual scale dial are located on the ADF cartridge as shown below.

## Test Button

Press and hold test to preview shade selection before welding. When released the viewing window will automatically return to the light state (3.5 Shade)

## Sensitivity Knob

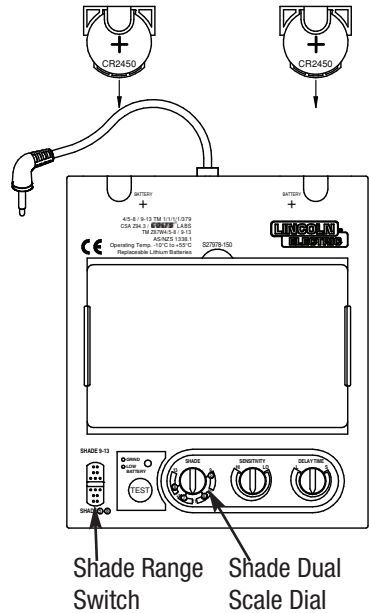
Adjust the light sensitivity by turning the **SENSITIVITY** knob to the left or right as shown in the figure below. Turning the knob to the left increases sensitivity which makes the ADF cartridge more sensitive to light. When helmet is used in the presence of excess ambient light or with another welding machine close by, improved helmet performance can be obtained with a lower setting by turning the knob to the right to reduce the sensitivity.

## Delay Time Knob

This control is designed to protect the welder's eyes from the strong residual rays after welding. Changing the **DELAY** Time knob will vary the dark to light time between 0.1 second (**S**) to 1.0 second (**L**). The **L** setting is recommended for high amperage applications where the weld puddle is still very bright after the welding arc has ceased and for situations where the filter may be temporarily blocked from seeing the welding arc.

## Power

This ADF cartridge is powered by two replaceable batteries and solar power. The batteries are located at the bottom of the ADF cartridge. Replace batteries when **LOW BATTERY** light is lit. See the specification chart on page 3 for type of batteries required.





# HELMET CARE AND MAINTENANCE

**Cleaning:** Clean helmet by wiping with a soft cloth. Clean cartridge surfaces regularly. Do not use strong cleaning solutions. Clean sensors and solar cells with soapy water solution and a clean cloth and wipe dry with a lint-free cloth. Do **NOT** submerge shade cartridge in water or other solution.

**Storage:** Store in a clean, dry location.

## SHADE GUIDE SETTINGS

GUIDE FOR SHADE NUMBERS				
OPERATION	ELECTRODE SIZE 1/32 in. (mm)	ARC CURRENT (A)	MINIMUM PROTECTIVE SHADE	SUGGESTED <sup>(1)</sup> SHADE NO. (COMFORT)
Shielded metal arc welding	Less than 3 (2.5)	Less than 60	7	–
	3-5 (2.5–4)	60-160	8	10
	5-8 (4–6.4)	160-250	10	12
	More than 8 (6.4)	250-550	11	14
Gas metal arc welding and flux cored arc welding		Less than 60	7	–
		60-160	10	11
		160-250	10	12
		250-500	10	14
Gas tungsten arc welding		Less than 50	8	10
		50-150	8	12
		150-500	10	14
Air carbon Arc cutting	(Light)	Less than 500	10	12
	(Heavy)	500-1000	11	14
Plasma arc welding		Less than 20	6	6 to 8
		20-100	8	10
		100-400	10	12
		400-800	11	14
Plasma arc cutting	(Light) <sup>(2)</sup>	Less than 300	8	9
	(Medium) <sup>(2)</sup>	300-400	9	12
	(Heavy) <sup>(2)</sup>	400-800	10	14
Torch brazing		–	–	3 or 4
Torch soldering		–	–	2
Carbon arc welding		–	–	14
PLATE THICKNESS				
	in.	mm		
Gas welding Light Medium Heavy	Under 1/8	Under 3.2		4 or 5
	1/8 to 1/2	3.2 to 12.7		5 or 6
	Over 1/2	Over 12.7		6 or 8
Oxygen cutting Light Medium Heavy	Under 1	Under 25		3 or 4
	1 to 6	25 to 150		4 or 5
	Over 6	Over 150		5 or 6

(1) As a rule of thumb, start with a shade that is too dark, then go to a lighter shade which gives sufficient view of the weld zone without going below the minimum. In oxyfuel gas welding or cutting where the torch produces a high yellow light, it is desirable to use a filter lens that absorbs the yellow or sodium lines the visible light of the spectrum operation.

(2) These values apply where the actual arc is clearly seen. Experience has shown that lighter filters may be used when the arc is hidden by the workpiece.

Data from ANSI Z49.1-2005

If your helmet does not include any one of the shades referenced above, it is recommended you use the next darker shade.

## CARTRIDGE AND LENS REPLACEMENT

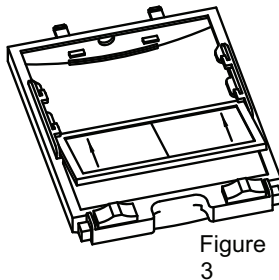
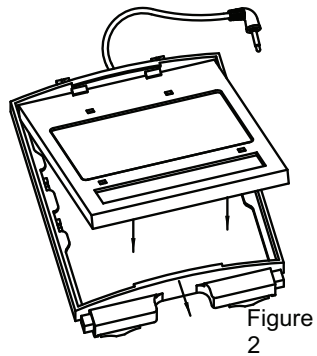
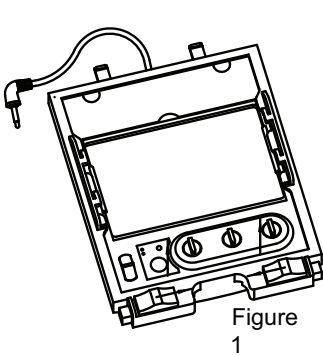
**Replacing Front Clear Cover Lens:** Replace the front cover lens if it is damaged. Remove ADF holder assembly per Figure 1. Remove front cover lens from helmet assembly. Carefully remove gasket from cover lens. Install new cover lens into gasket and assemble to helmet shell. Make sure to assemble cover lens and gasket into helmet shell the same way as it was removed.

**Replacing Inside Clear Lens:** Replace the inside clear lens if it is damaged. Place your fingernail in recess above cartridge view window and flex lens upwards until it releases from edges of cartridge view window.

**Change the Shade Cartridge:** Remove ADF holder assembly from helmet shell. See figure 1 for removal. Flex bottom end of the ADF holder to allow ADF cartridge to be remove from frame. Install new ADF cartridge into frame per figure 2 below. Make sure that the ADF cartridge is inserted in ADF holder correctly as shown. Install ADF holder assembly into helmet shell.

### INSTALLING AN AFTERMARKET MAGNIFYING LENS:

Simply slide the magnifying lens into the short rail located on the sides of ADF holder per Figure 3.




## TROUBLESHOOTING GUIDE

Test your shade cartridge prior to welding by directing the front of the cartridge toward a bright source of light. Then, using your fingers, rapidly cover and uncover the sensors. The cartridge should darken momentarily as the sensor is exposed. A torch striker can also be used.

PROBLEM	POSSIBLE CAUSE	SOLUTION
Difficult to see through filter.	Front cover lens dirty.	Clean or replace front cover lens.
	Cartridge dirty.	Clean the Auto-Darkening cartridge with soapy water solution and soft cloth.
Filter does not darken when arc is struck.	Sensitivity is set too low.	Adjust sensitivity to required level.
	Front cover lens dirty.	Clean or replace front cover lens.
	Front cover lens is damaged.	Check for cracked or pitted front cover lens and replace as required.
	Sensors are blocked or Solar panel is blocked.	Make sure you are not blocking the sensors or solar panels with your arm or other obstacle while welding. Adjust your position so that the sensors can see the weld arc.
	Grind Mode Selected	Make sure proper shade is selected.
Filter darkening without arc being struck.	Sensitivity set too high.	Adjust sensitivity to required level.
Filter remains dark after completing a weld.	Delay time set too high.	Adjust delay time to required level.
Helmet will not switch to grind mode after pressing button.	Button was not held for 3 seconds.	Press and hold button for 3 seconds
	Plug-in jack from filter is not completely inserted in the button port.	Remove plug-in jack from the button port and re-insert it into the port



### WARNING

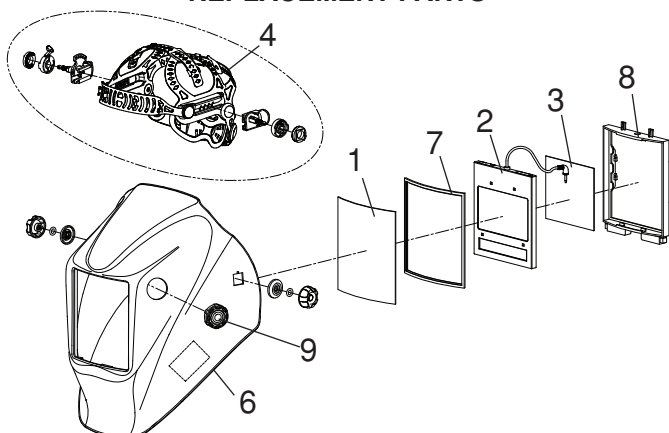
 <p><b>ADF is cracked.</b></p> <p><b>Weld spatter is damaging the filter.</b></p>	<b>Cease (STOP) using this product if this problem exists. UV/IR protection may be compromised resulting in burns to the eyes and skin.</b>	
	<b>Missing, damaged, broken, cracked or distorted front cover lens.</b>	<b>Replace front cover lens as needed.</b>

## WARRANTY INFORMATION - Reference IMWS1 included in Literature.

### SPATTER DAMAGE IS NOT COVERED BY WARRANTY:

Do not use this product without the correct protective clear lenses installed properly on both sides of the Auto-Darkening Filter cartridge (ADF). The clear lenses supplied with this helmet are properly sized to work with this product and substitutions from other suppliers should be avoided.

### REPLACEMENT PARTS



ITEM	PART NO.	DESCRIPTION	QTY
1	KP2898-1	OUTSIDE CLEAR LENS (PKG. QTY: 5)	1
2	KP2932-4	ADF CARTRIDGE	1
3	KP2931-1	INSIDE CLEAR LENS (PKG. QTY: 5)	1
4	KP4470-1	HEADGEAR ASSEMBLY (INCLUDING SWEATBAND & RETROFIT WASHER)	1
5*	KP2930-1	SWEATBAND (PKG. QTY: 2)	1
6	KP4560-1	GLOSSY BLACK REPLACEMENT SHELL	1
7	S27978-32	OUTSIDE CLEAR LENS SEAL	1
8	S27978-153	ADF HOLDER	1
9	KP4562-1	GRIND BUTTON ASSEMBLY	1
10*	KP4491-1	CR2450 REPLACEMENT BATTERY	1
11*	KP4541-1	HEADGEAR CUSHIONED BACK PAD (PKG QTY 2)	1

### OPTIONAL ACCESSORIES

PART NO.	DESCRIPTION	QTY
KP3046-100	CHEATER LENS 1.00 MAGNIFICATION	1
KP3046-125	CHEATER LENS 1.25 MAGNIFICATION	1
KP3046-150	CHEATER LENS 1.50 MAGNIFICATION	1
KP3046-175	CHEATER LENS 1.75 MAGNIFICATION	1
KP3046-200	CHEATER LENS 2.00 MAGNIFICATION	1
KP3046-225	CHEATER LENS 2.25 MAGNIFICATION	1
KP3046-250	CHEATER LENS 2.50 MAGNIFICATION	1
KP3047-1	HALO STYLE HARD HAT ADAPTER	1
KP3486-1	SLOTTED HARD HAT ADAPTER	1

\*Not illustrated







## **CUSTOMER ASSISTANCE POLICY**

The business of The Lincoln Electric Company is manufacturing and selling high quality welding equipment, consumables, and cutting equipment. Our challenge is to meet the needs of our customers and to exceed their expectations. On occasion, purchasers may ask Lincoln Electric for advice or information about their use of our products. We respond to our customers based on the best information in our possession at that time. Lincoln Electric is not in a position to warrant or guarantee such advice, and assumes no liability, with respect to such information or advice. We expressly disclaim any warranty of any kind, including any warranty of fitness for any customer's particular purpose, with respect to such information or advice. As a matter of practical consideration, we also cannot assume any responsibility for updating or correcting any such information or advice once it has been given, nor does the provision of information or advice create, expand or alter any warranty with respect to the sale of our products.

Lincoln Electric is a responsive manufacturer, but the selection and use of specific products sold by Lincoln Electric is solely within the control of, and remains the sole responsibility of the customer. Many variables beyond the control of Lincoln Electric affect the results obtained in applying these types of fabrication methods and service requirements.

Subject to Change – This information is accurate to the best of our knowledge at the time of printing. Please refer to [www.lincolnelectric.com](http://www.lincolnelectric.com) for any updated information.



### **THE LINCOLN ELECTRIC COMPANY**

22801 St. Clair Avenue • Cleveland, OH • 44117-1199 • U.S.A.  
Phone: +1.216.481.8100 • [www.lincolnelectric.com](http://www.lincolnelectric.com)



## Manual del Operador

# Caretas de Auto-Obscurecimiento VIKING™ 2450 Series con Tecnología 4C™



**LOS GRÁFICOS PUEDEN VARIAR**



Registre su máquina:  
[www.lincolnelectric.com/register](http://www.lincolnelectric.com/register)

Localizador de Servicio y Distribuidores Autorizados:  
[www.lincolnelectric.com/locator](http://www.lincolnelectric.com/locator)

Guardar para referencia futura

Fecha de Compra

Código: (ejemplo: 10859)

Número de serie: (ejemplo: U1060512345)

## **TABLA DE CONTENIDO**

## **Página**

ADVERTENCIAS DE SEGURIDAD – LEA ANTES DE USAR	1
INFORMACIÓN DE LA CARETA	2
ESPECIFICACIONES	3
INSTRUCCIONES DE OPERACIÓN	4
OPERACIÓN/CARACTERÍSTICAS DEL CARTUCHO	5
OPERACIÓN DEL BOTÓN DE ESMERILADO	6
MANTENIMIENTO Y CUIDADO DE LA CARETA	7
CONFIGURACIONES DE LA GUÍA DE OBSCURECIMIENTO	7
REEMPLAZO DEL LENTE Y CARTUCHO	8
LOCALIZACIÓN DE AVERÍAS	9
INFORMACIÓN DE GARANTÍA	10
PARTES DE REEMPLAZO	10

# ADVERTENCIA DE SEGURIDAD – LEA ANTES DE USAR

## ADVERTENCIA

### **Los Rayos del ARCO pueden lesionar los ojos y quemar la piel**



- Antes de soldar, inspeccione siempre la careta y lente de filtración para asegurarse de que están en buenas condiciones y sin daños.
- Revise para ver que el lente transparente esté limpio y montado en forma segura en la careta.
- Siempre utilice lentes o lentillas de seguridad bajo la careta de soldadura y ropa protectora para resguardar su piel contra radiación, quemaduras y salpicaduras.
- Asegúrese de que la radiación óptica de los arcos de otros soldadores en el área inmediata no entre por detrás de la careta y filtro de auto-oscurecimiento.

**Nota:** Los Filtros de Auto-Oscurecimiento en las caretas de Lincoln están diseñados para proteger al usuario contra los rayos ultravioleta e infrarrojos tanto en un estado claro como oscuro. No importa en qué sombra esté configurado el lente, la protección UV/IR siempre está presente.



### **Los HUMOS Y GASES pueden ser peligrosos para su salud.**

- Mantenga su cabeza fuera de los humos.
- Utilice suficiente ventilación o escape en el arco, o ambos, para alejar los humos y gases de su zona de respiración y área general.
- **Cuando se suelda con electrodos que pueden requerir ventilación adicional como los de acero inoxidable o recubrimiento duro (vea las instrucciones en el contenedor o Ficha de Datos de Seguridad (SDS) o soldadura en acero enchapado con plomo o cadmio y otros metales o recubrimientos que producen humos altamente tóxicos, mantenga la exposición tan baja como sea posible y dentro de los límites OSHA PEL y ACGIH TLV aplicables utilizando escape local o ventilación mecánica. En los espacios confinados o en algunas circunstancias en exteriores, tal vez se requiera un respirador. Asimismo, se requiere tener precauciones adicionales al soldar en acero galvanizado.**

Para mayor información de seguridad, consulte  
<http://www.lincolnelectric.com/safety>

## INFORMACIÓN DE LA CARETA

Esta Careta de Soldadura de Auto-Oscurecimiento cambiará de un estado claro (sombra 3.5) a uno oscuro (sombra 5-13) cuando inicie la soldadura de arco.

El filtro regresa automáticamente a un estado claro cuando se detiene el arco.

Iguale su aplicación de soldadura a la sombra indicada en la tabla de sombras. (Vea la Página 6)

- Temperatura de operación:  $-10^{\circ}\text{C} \sim 55^{\circ}\text{C}$  ( $14^{\circ}\text{F} \sim 131^{\circ}\text{F}$ ).
- No utilice o abra el filtro de auto-oscurecimiento si se dañó debido a un impacto, vibración o presión.
- Mantenga los sensores y celdas solares limpios. Limpie el cartucho del filtro utilizando una solución de agua jabonosa y trapo suave que deberá estar húmedo pero no saturado.

Esta Careta de Auto-Oscurecimiento está diseñada para usarse con la soldadura GMAW, GTAW, MMAW o Arco de Plasma y corte de arco de aire carbón.

El cartucho proporciona protección contra la radiación dañina UV e IR, en ambos estados claro y oscuro.

El cartucho contiene cuatro sensores para detectar la luz del arco de soldadura, dando como resultado que el lente se oscurezca a una sombra de soldadura seleccionada.

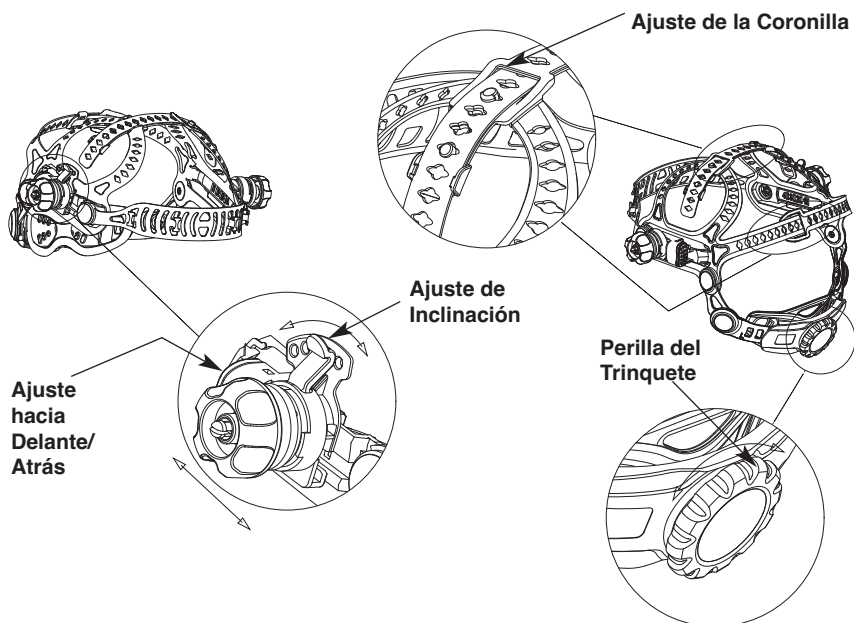
- No utilice solventes o un detergente de limpieza abrasivo.
- Si el lente protector se salpica o cubre con suciedad, deberá reemplazarse inmediatamente.
- Utilice sólo las partes de reemplazo especificadas en este manual.
- No utilice la careta sin haber instalado adecuadamente los lentes protectores interno y externo.

## ESPECIFICACIONES

Clase Óptica	1/1/1/1
Área de Visión LCD	97 x 62mm (3.82 x 2.44in.)
Tamaño del Cartucho	114 x 133mm (4.50 x 5.25in.)
Protección UV/IR	Hasta la Sombra DIN 16 en todo momento
Sensores del Arco	4
Sombra de Estado Claro	DIN 3.5
Sombras de Soldadura Variables	DIN 5 a 13
Control del Oscurecimiento	Perilla– ajuste total
Fuente de Energía	Celda solar con asistencia de batería
Advertencia de Baja Batería	Luz Roja
Advertencia de Esmerilado	Luz Verde
Batería	CR2450 Lithium (2 Required)
Encendido/Apagado	Fully automatic
Tiempo de Claro a Oscuro	0.00004 sec. (1/25,000 sec.)
Tiempo de Oscuro a Claro	0.1 sec. (Short) to 1.0 sec. (Long)
Control de Sensibilidad	Variable
Clasificación TIG	DC ≥ 2 amps; AC ≥ 2 amps
Temperatura de Operación	14°F ~ 131°F (-10°C ~ 55°C)
Temperatura de Almacenamiento	-4° ~ 158°F (-20°C ~ 70°C)
Peso Total	Black 606g (21.37 Oz.) Graphic 613g (21.62 Oz.)
Cumplimiento	ANSI Z87.1, CSA 94.3, EN379, AS/NZS 1338.1

# INSTRUCCIONES DE OPERACIÓN

## Ajuste del Dispositivo para la Cabeza



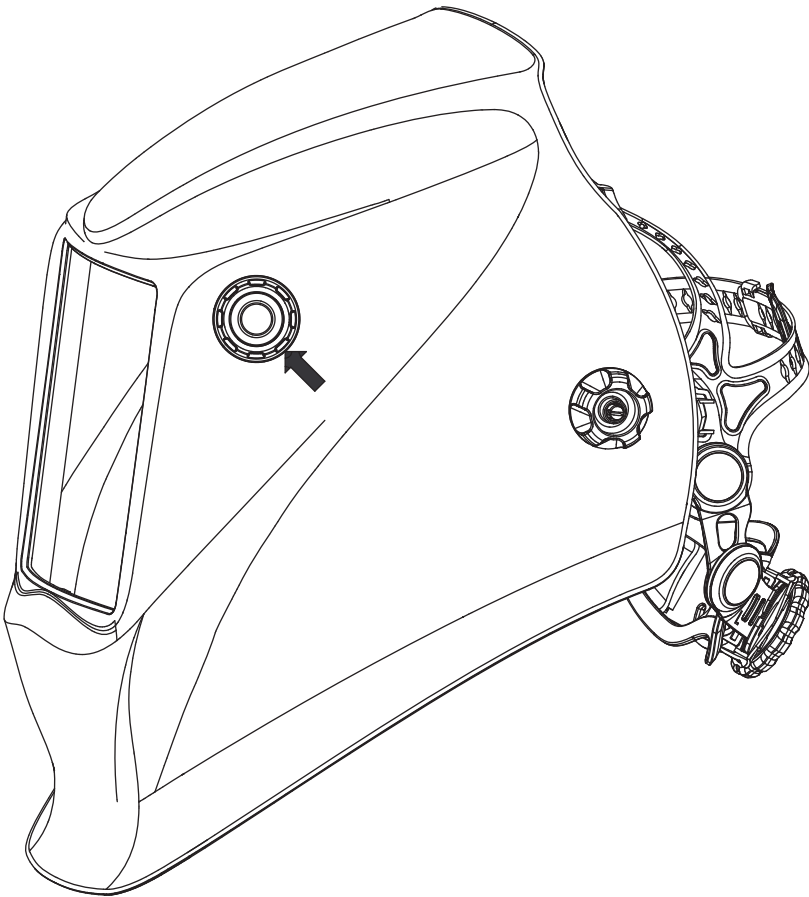
**AJUSTE AL TAMAÑO DE LA CABEZA:** La TENSIÓN DEL DISPOSITIVO PARA LA CABEZA se ajusta girando la Perilla del Trinquete a la derecha o izquierda para ajustar al tamaño de cabeza deseado. Esta perilla se localiza en la parte posterior de la careta. **EI AJUSTE DE LA CORONILLA DEL DISPOSITIVO PARA LA CABEZA** se logra ajustando a comodidad y después colocando la cinta bajo la guía e introduciendo los pines en los orificios para asegurar.

**INCLINACIÓN:** El ajuste de inclinación se localiza en el lado derecho de la careta. Afloje la perilla de tensión derecha del dispositivo para la cabeza y empuje hacia fuera el extremo superior de la palanca de ajuste hasta que la lengüeta de paro de la palanca se libere de las muescas. Entonces gire la palanca hacia adelante o atrás a la posición de inclinación deseada. La lengüeta de paro se encajará de nuevo automáticamente al soltarla, asegurando la careta en su lugar.

**AJUSTE HACIA ADELANTE / ATRÁS:** ajusta la distancia entre la cara del usuario y el lente. A fin de ajustar, deslice y mantenga la tapa con resorte abierta mientras mueve el dispositivo para la cabeza a una de las cuatro posiciones ranuradas. Una vez que se obtenga la distancia deseada, suelte la tapa y ésta regresará a su posición de descanso una vez que el adaptador esté asegurado en una de las cuatro ranuras. **NOTA:** Asegúrese de que ambos lados estén igualmente posicionados para una orientación adecuada.

## OPERACIÓN DEL BOTÓN DE ESMERILADO

A fin de que el Filtro de Auto-Oscurecimiento cambie de una Sombra de Corte o Soldadura al Modo de Esmerilado, localice primero el botón de silicona en el lado izquierdo de la careta. Después de que haya localizado el botón, oprímalo por 3 segundos. Un LED verde en el cartucho deberá parpadear cada 3 segundos después de haber oprimido el botón, a fin de indicar que está en el Modo de Esmerilado. Para regresar a la sombra previa de Corte o Soldadura, simplemente oprima el botón por otros 3 segundos. El Modo de Esmerilado es sólo para esmerilar y no para soldar.







# CUIDADO Y MANTENIMIENTO DE LA CARETA

**Limpieza:** limpie la careta con un trapo suave. Limpie regularmente las superficies del cartucho. No utilice soluciones de limpieza fuertes. Limpie los sensores y celdas solares con una solución de agua jabonosa y un trapo limpio, y seque con otro trapo libre de pelusa.

**NO** sumerja el cartucho de oscurecimiento en agua o en otra solución.

**Almacenamiento:** almacene en un lugar limpio y seco.

## CONFIGURACIONES DE GUÍA DE SOMBRAS

GUÍA DE LOS NÚMEROS DE SOMBRAS				
OPERACIÓN	TAMAÑO DEL ELECTRODO mm (1/32 pulg.)	CORRIENTE DEL ARCO (A)	SOMBRA PROTECTORA MÍNIMA	NÚM. DE SOMBRA SUGERIDO <sup>(1)</sup> (COMODIDAD)
Soldadura de arco metálico con electrodo revestido	Menos de 3 (2.5)	Menos de 60	7	–
	3-5 (2.5-4)	60-160	8	10
	5-8 (4-6.4)	160-250	10	12
	Más de 8 (6.4)	250-550	11	14
Soldadura de arco metálico con gas y soldadura de arco tubular		Menos de 60	7	–
		60-160	10	11
		160-250	10	12
		250-500	10	14
Soldadura de arco de tungsteno con gas		Menos de 50	8	10
		50-150	8	12
		150-500	10	14
Aire Carbón Corte con Arco	(Ligero)	Menos de 500	10	12
	(Pesado)	500-1000	11	14
Soldadura de arco de plasma		Menos de 20	6	6 a 8
		20-100	8	10
		100-400	10	12
		400-800	11	14
Corte de arco de plasma	(Ligero) <sup>(2)</sup>	Menos de 300	8	9
	(Mediano) <sup>(2)</sup>	300-400	9	12
	(Pesado) <sup>(2)</sup>	400-800	10	14
Soldadura de latón con antorcha		–	–	3 ó 4
Soldadura en barra con antorcha		–	–	2
Soldadura con arco carbón		–	–	14
GROSOR DE LA PLACA				
	Pulg.	mm		
Soldadura con gas	Ligera	Menos de 1/8	Menos de 3.2	4 ó 5
	Mediana	1/8 a 1/2	3.2 a 12.7	5 ó 6
	Pesada	Más de 1/2	Más de 12.7	6 ó 8
Corte con oxígeno	Ligero	Menos de 1	Menos de 25	3 ó 4
	Mediano	1 a 6	25 a 150	4 ó 5
	Pesado	Más de 6	Más de 150	5 ó 6

(1) Como regla general, inicie con una sombra que sea muy oscura y después pase a una más clara que brinde suficiente visibilidad de la zona de soldadura sin llegar al mínimo. Si suelda o corta con oxicomustión, donde la antorcha produce una luz altamente amarilla, es conveniente

(2) Estos valores aplican donde el arco real se ve claramente. La experiencia ha demostrado que es posible utilizar filtros más claros cuando la pieza de trabajo esconde al arco.

Datos de ANSI Z49.1-2005

Si su careta no incluye ninguna de las sombras mencionadas anteriormente, se recomienda que utilice la siguiente sombra más oscura.

## REEMPLAZO DEL LENTE Y CARTUCHO

**Reemplazo del Lente Transparente de la Cubierta Frontal:** reemplace este lente si está dañado. Remueva el ensamblaje del portacartucho ADF según la Figura 1. Remueva el lente de la cubierta frontal del ensamblaje de la careta. Retire cuidadosamente el empaque del lente de la cubierta. Instale el nuevo lente en el empaque y monte en el armazón de la careta. Asegúrese de ensamblar el lente de la cubierta y el empaque en el armazón de la careta en la misma forma que los removió.

**Reemplazo del Lente Transparente Interno:** reemplace este lente si está dañado. Coloque una uña bajo la ventana de visión del cartucho y flexione el lente hacia arriba hasta que se libere de los bordes de esta ventana.

**Cambio del Cartucho de Oscurecimiento:** remueva el ensamblaje del portacartucho ADF del armazón de la careta. Vea la figura 1 para su remoción. Flexione la parte inferior del portacartucho ADF para permitir que mismo salga del armazón. Instale el nuevo cartucho ADF conforme a la Figura 2 a continuación. Asegúrese de insertar el cartucho ADF en el portacartucho correctamente, tal y como se muestra. Instale el ensamblaje del portacartucho ADF en el armazón de la careta.

**INSTALACIÓN DE UN LENTE DE AUMENTO DEL MERCADO DE REFACCIONES:** Simplemente deslice el lente de aumento en el riel corto localizado a los lados del portacartucho ADF conforme a la Figura 3.

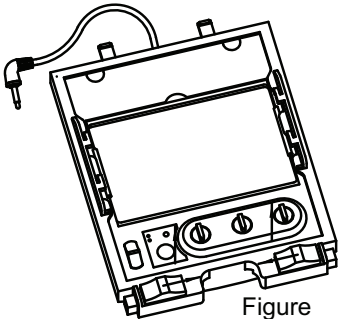


Figure  
1

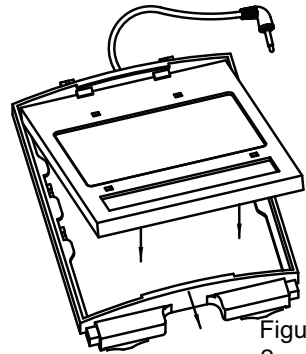


Figure  
2

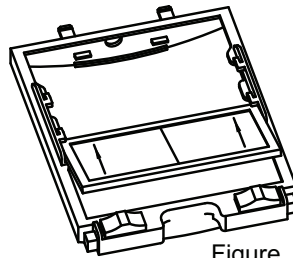


Figure  
3

## GUÍA DE LOCALIZACIÓN DE AVERÍAS

Pruebe su cartucho de oscurecimiento antes de soldar dirigiendo el frente del cartucho hacia una fuente brillante de luz. Después, utilizando sus dedos, cubra y descubra rápidamente los sensores. El cartucho deberá oscurecerse momentáneamente a medida que el sensor se expone. También se puede utilizar un encendedor de antorcha.

PROBLEMA	CAUSA POSIBLE	SOLUCIÓN
Difícil ver a través del filtro.	Lente de la cubierta frontal sucio.	Límpielo o reemplácelo.
	Cartucho sucio.	Limpie el cartucho de auto-oscurecimiento con una solución de agua jabonosa y trapo suave.
El filtro no se oscurece cuando se inicia el arco.	Sensibilidad establecida muy baja.	Ajustela al nivel requerido.
	Lente de la cubierta frontal sucio.	Limpie o reemplace el lente de la cubierta frontal.
	Lente de la cubierta frontal dañado.	Revise si el lente de la cubierta está quebrado o perforado, y reemplace si es necesario.
	Sensores o panel solar bloqueados.	Asegúrese de que no está bloqueando los sensores o paneles solares con su brazo u otro obstáculo mientras suelda. Ajuste su posición para que los sensores puedan ver el arco de soldadura.
	Se seleccionó el Modo de Pulido	Asegúrese de haber seleccionado la sombra adecuada.
Ajustela al nivel requerido.	Sensibilidad establecida muy alta.	Ajustela al nivel requerido.
Limpie o reemplace el lente de la cubierta frontal.	Tiempo de demora muy alto.	Ajustelo al nivel requerido.
Revise si el lente de la cubierta está quebrado o perforado, y reemplace si es necesario.	No se oprimió el botón por 3 segundos.	Oprímalo por 3 segundos.
	El conector enchufable del filtro no está totalmente insertado en el puerto del botón.	Remuévalo del puerto del botón y vuelva a insertarlo.



### ADVERTENCIA

**EL ADF está agrietado.**



**La salpicadura de soldadura está dañando al filtro.**

**Deje (PARE) de utilizar este producto si se presenta este problema. La Protección UV/IR se puede ver comprometida dando como resultado quemaduras en los ojos y piel.**

**Lente de la cubierta frontal faltante, dañado, roto, agrietado o distorsionado.**

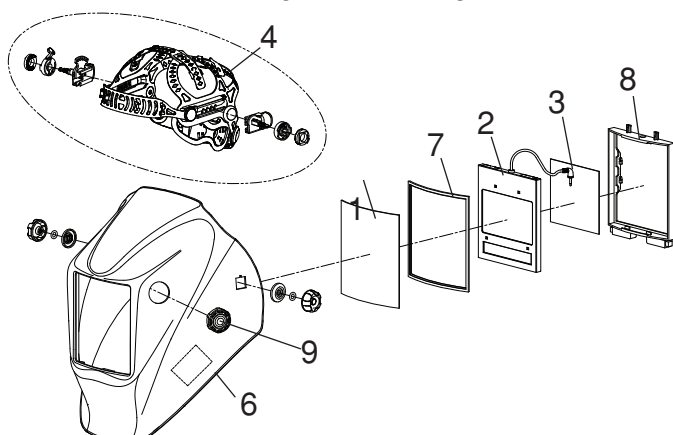
**Reemplace el lente de la cubierta frontal según sea necesario.**

## INFORMACIÓN DE GARANTÍA - Consulte IMWS1 que se incluye en la documentación.

### LA GARANTÍA NO CUBRE DAÑOS POR SALPICADURA:

No utilice este producto sin los lentes transparentes protectores correctos instalados a ambos lados del cartucho del Filtro de Auto-Oscurecimiento (ADF). El lente transparente proporcionado con esta careta es del tamaño adecuado para trabajar con este producto y deberán evitarse sustitutos de otros proveedores.

### PARTES DE REEMPLAZO



ARTICULO	NUM. DE PARTE	DESCRIPCIÓN	CANT.
1	KP2898-1	LENTE TRANSPARENTE EXTERNO (PAQ. CANT. 5)	1
2	KP2932-4	CARTUCHO ADF	1
3	KP2931-1	LENTE TRANSPARENTE INTERNO (PAQ. CANT. 5)	1
4	KP4470-1	ENSAMBLE DEL DISPOSITIVO PARA LA CABEZA (INCLUYENDO BADANA Y ROLDANA DE ACTUALIZACIÓN)	1
5*	KP2930-1	BADANA (PAQ. CANT. 2)	1
6	KP4560-1	ARMAZÓN DE REEMPLAZO NEGRO BRILLANTE	1
7	S27978-32	SELLO DEL LENTE TRANSPARENTE EXTERNO	1
8	S27978-153	PORTACARTUCHO ADF	1
9	KP4562-1	ENSAMBLE DEL BOTÓN DE ESMERILADO	1
10*	KP4491-1	BATERÍA DE REPUESTO	1
11*	KP4541-1	COJÍN DE TOCADO (CANTIDAD DE PAQUETE 2)	1

### ACCESORIOS OPCIONALES

NUM. DE PARTE	DESCRIPCIÓN	CANT.
KP3046-100	LENTE DE AUMENTO, AMPLIFICACIÓN DEL 1.00	1
KP3046-125	LENTE DE AUMENTO, AMPLIFICACIÓN DEL 1.25	1
KP3046-150	LENTE DE AUMENTO, AMPLIFICACIÓN DEL 1.50	1
KP3046-175	LENTE DE AUMENTO, AMPLIFICACIÓN DEL 1.75	1
KP3046-200	LENTE DE AUMENTO, AMPLIFICACIÓN DEL 2.00	1
KP3046-225	LENTE DE AUMENTO, AMPLIFICACIÓN DEL 2.25	1
KP3046-250	LENTE DE AUMENTO, AMPLIFICACIÓN DEL 2.50	1
KP3047-1	ADAPTADOR DE CASCO PROTECTOR ESTILO HALO	1
KP3486-1	ADAPTADOR DE CASCO RANURADO	1

\*No se ilustra







## **POLÍTICA DE ASISTENCIA AL CLIENTE**

El negocio de The Lincoln Electric Company es fabricar y vender equipo de soldadura, corte y consumibles de alta calidad. Nuestro reto es satisfacer las necesidades de nuestros clientes y exceder sus expectativas. A veces, los compradores pueden solicitar consejo o información a Lincoln Electric sobre el uso de nuestros productos.

Respondemos a nuestros clientes con base en la mejor información en nuestras manos en ese momento. Lincoln Electric no esta en posición de garantizar o certificar dicha asesoría, y no asume responsabilidad alguna con respecto a dicha información o guía. Renunciamos expresamente a cualquier garantía de cualquier tipo, incluyendo cualquier garantía de aptitud para el propósito particular de cualquier cliente con respecto a dicha información o consejo. Como un asunto de consideración práctica, tampoco podemos asumir ninguna responsabilidad por actualizar o corregir dicha información o asesoría una vez que se ha brindado, y el hecho de proporcionar datos y guía tampoco crea, amplía o altera ninguna garantía con respecto a la venta de nuestros productos.

Lincoln Electric es un fabricante receptivo pero la selección y uso de los productos específicos vendidos por Lincoln Electric está únicamente dentro del control del cliente y permanece su responsabilidad exclusiva. Muchas variables más allá del control de Lincoln Electric afectan los resultados obtenidos en aplicar estos tipos de métodos de fabricación y requerimientos de servicio.

Sujeta a Cambio – Esta información es precisa según nuestro leal saber y entender al momento de la impresión. Sírvase consultar [www.lincolnelectric.com](http://www.lincolnelectric.com) para cualquier dato actualizado.



### **THE LINCOLN ELECTRIC COMPANY**

22801 St. Clair Avenue • Cleveland, OH • 44117-1199 • U.S.A.  
Phone: +1.216.481.8100 • [www.lincolnelectric.com](http://www.lincolnelectric.com)



Manuel de l'Opérateur

# **VIKING™ SÉRIE 2450**

## **Casque auto-obscurecissant**

**avec technologie 4C™**



**LES GRAPHIQUES PEUVENT VARIER**



Enregistrer la machine :  
[www.lincolnelectric.com/register](http://www.lincolnelectric.com/register)

Localisateur d'Ateliers de Service et de Distributeurs Agréés :  
[www.lincolnelectric.com/locator](http://www.lincolnelectric.com/locator)

Conserver pour référence future

Date d'achat

Code : (ex. : 10859)

Série : (ex. : U1060512345)

**IMF10515** | Date de publication : Jun-19

© Lincoln Global, Inc. All Rights Reserved.

22801 St. Clair Avenue • Cleveland, OH • 44117-1199 • U.S.A.  
Phone: +1.216.481.8100 • [www.lincolnelectric.com](http://www.lincolnelectric.com)

## **TABLE DES MATIÈRES**

## **Page**

AVERTISSEMENTS DE SÉCURITÉ – LIRE AVANT UTILISATION	1
INFORMATIONS CONCERNANT LE CASQUE	2
SPÉCIFICATIONS	3
INSTRUCTIONS POUR LE FONCTIONNEMENT	4
FONCTIONNEMENT / FONCTIONNALITÉS DE LA CARTOUCHE	5
FONCTIONNEMENT DU BOUTON DE MEULAGE	6
ENTRETIEN DU CASQUE	7
GUIDE DE RÉGLAGE DES TEINTES	7
CHANGEMENT DE LA CARTOUCHE ET DE LA LENTILLE	8
DÉPANNAGE	9
INFORMATIONS CONCERNANT LA GARANTIE	10
PIÈCES DE RECHANGE	10

## AVERTISSEMENTS DE SÉCURITÉ – LIRE AVANT UTILISATION

### **WARNING**

#### **LES RAYONS DES ARCS peuvent causer des blessures oculaires et des brûlures cutanées.**



- Avant de souder, toujours vérifier que le casque et la lentille du filtre soient montés correctement, qu'ils soient en bon état et ne soient pas endommagés.
- Vérifier que la lentille transparente soit propre et bien fixée sur le casque.
- Toujours porter des lunettes de sécurité sous le casque à souder ainsi que des vêtements de protection pour protéger la peau contre les radiations, les brûlures et les projections.
- S'assurer que les radiations optiques provenant des arcs d'autres soudeurs dans le voisinage immédiat ne pénètrent pas dans le casque par l'arrière de celui-ci ou par le filtre auto-obscurissant.

**Note:** les filtres auto-obscurissants des casques Lincoln sont conçus pour protéger l'utilisateur contre les rayons ultra-violet et infrarouges nocifs aussi bien à l'état obscur qu'à l'état clair. La protection contre les UV/IR est toujours présente, quelle que soit la teinte sur laquelle le filtre est réglé.

#### **LES VAPEURS ET LES GAZ peuvent être dangereux pour la santé.**



- Maintenir sa tête hors des fumées.
- Utiliser suffisamment de ventilation ou d'échappement, ou bien les deux, au niveau de l'arc afin de maintenir les vapeurs et les gaz hors de la zone de respiration et du lieu de travail général.
- **Pour souder avec des électrodes exigeant une ventilation spéciale, telles que les électrodes en acier inoxydable ou pour le rechargement dur (voir les instructions sur le paquet ou sur la MSDS), ou sur du plomb ou de l'acier recouvert de cadmium et d'autres métaux ou revêtements produisant des vapeurs hautement toxiques, il est impératif de maintenir le niveau d'exposition aussi bas que possible et dans les limites OSHA PEL et ACGIH TLV applicables, au moyen d'un échappement local ou d'une ventilation mécanique. Dans des espaces confinés ou dans certaines circonstances à l'extérieur, un respirateur peut s'avérer nécessaire. Des précautions supplémentaires sont aussi requises pour souder sur de l'acier galvanisé.**

Se reporter au site <http://www.lincolnelectric.com/safety> pour davantage d'informations concernant la sécurité.

## INFORMATIONS CONCERNANT LE CASQUE

Ce casque de soudage auto-obscurcissant passe automatiquement de la clarté (teinte 3,5) à l'obscurité (teinte 5-13) lorsque le soudage à l'arc démarre.

Le filtre repasse automatiquement à la clarté lorsque l'arc cesse.

Faire coïncider l'application de soudage avec la teinte indiquée dans le tableau des teintes (Voir page 6).

- Température de fonctionnement : 14°F ~ 131°F (-10°C ~ 55°C).
- Ne pas utiliser ni ouvrir le filtre auto-obscurcissant s'il a été endommagé par un choc, une vibration ou une pression.
- Les détecteurs et les panneaux solaires doivent rester propres. Nettoyer la cartouche du filtre au moyen d'une solution d'eau savonneuse et d'un chiffon doux qui devra être humide mais pas saturé.

Ce casque de soudage auto-obscurcissant est conçu pour une utilisation en modes de soudage GMAW, GTAW, MMAW, ou bien pour l'arc au plasma et le coupage à l'arc au charbon avec jet d'air comprimé.

La cartouche apporte une protection contre les radiations nocives des rayons UV et IR, aussi bien dans la clarté que dans l'obscurité.

La cartouche contient quatre senseurs pour détecter la lumière de l'arc de soudage, faisant obscurcir la lentille jusqu'à une teinte de soudage sélectionnée.

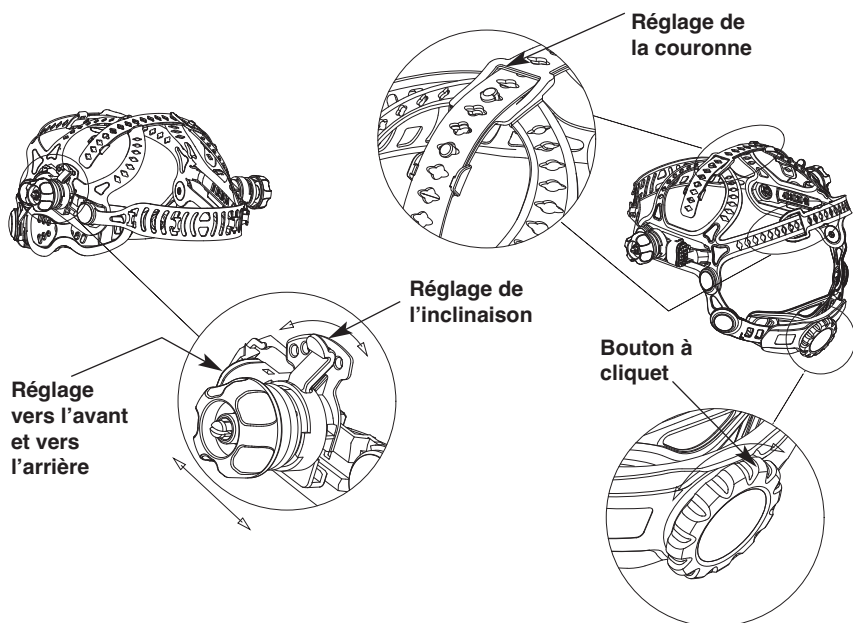
- Ne pas utiliser de solvants ni de détergent abrasif.
- Si la lentille de protection est recouverte de projections ou de saleté, elle doit être changée immédiatement.
- N'utiliser que des pièces de rechange spécifiées dans ce manuel.
- Ne pas utiliser le casque sans que les lentilles de protection intérieure et extérieure soient correctement installées.

## SPÉCIFICATIONS

Catégorie optique	1/1/1/1
Zone de vue LCD	95 x 85 mm (3,74 x 3,34 in.)
Taille de la cartouche	114 x 133 mm (4,50 x 5,25 in.)
Protection UV/IR	Jusqu'à la teinte DIN 16 à tout moment
Détecteur d'arc	4
Teinte de clarté	DIN 3,5
Teintes de soudage variables	DIN 5 à 13
Contrôle des teintes	Bouton cadran – ajustement complet
Alimentation	Panneau solaire assisté par piles
Avertissement de batterie faible	Lumière Rouge
Avertissement de meulage	Lumière Vert
Pile	Pile au lithium CR2450 (1 Requisite)
Marche / Arrêt	Totalement automatique
Temps de passage de la clarté à l'obscurité	0,00004 sec. (1/25,000 sec.)
Temps de passage de l'obscurité à la clarté	0,1 sec. (Court) à 1,0 sec. (Long)
Contrôle de sensibilité	Variable
TIG Nominal	DC ≥ 2 amps CA ≥ 2 amps
Température de fonctionnement	14°F ~ 131°F (-10°C ~ +55°C)
Température d'entreposage	-4°F ~ 158°F (-20°C ~ +70°C)
Poids total	Noir 606 g (21,37 Oz.) Graphique 613 g (21,62 Oz.)
Conformité	ANSI Z87.1, CSA 94.3, EN379, AS/NZS 1338.1

# INSTRUCTIONS POUR LE FONCTIONNEMENT

## Ajustement du harnais



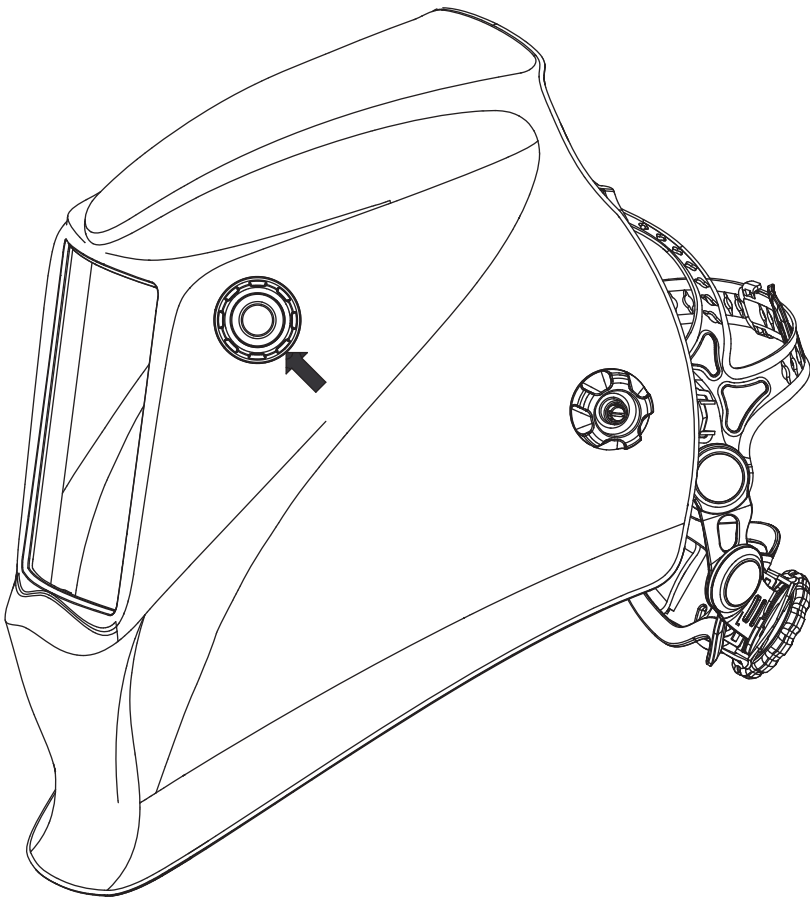
**RÉGLAGE DE LA TAILLE DE LA TÊTE :** LE SERRAGE DU HARNAIS se règle en tournant le bouton à cliquet vers la droite ou vers la gauche pour ajuster selon la taille de la tête. Ce bouton se trouve sur l'arrière du casque. **LE RÉGLAGE DE LA COURONNE DU HARNAIS** se fait en ajustant le niveau de confort et en plaçant la courroie sous le guide puis en laissant tomber les goupilles dans les orifices pour verrouiller en place.

**INCLINAISON :** le réglage de l'inclinaison se fait sur le côté droit du casque. Desserrer le bouton de tension du harnais droit et pousser l'extrémité supérieure du levier de réglage vers l'extérieur jusqu'à ce que la languette d'arrêt du levier se dégage des encoches. Puis faire tourner le levier vers le haut ou vers le bas jusqu'à la position de l'inclinaison souhaitée. Le cran d'arrêt se réengage automatiquement lorsqu'il est relâché, verrouillant ainsi le casque sur cette position.

**AJUSTEMENT VERS L'AVANT ET VERS L'ARRIÈRE :** règle la distance entre le visage de l'utilisateur et la lentille. Pour l'ajuster, faire glisser vers le haut et maintenir les capuchons à ressort tout en bougeant le harnais dans l'un des quatre emplacements à encoche. Après avoir atteint la distance souhaitée, lâcher le capuchon et il reprendra sa position de repos une fois que l'adaptateur sera en place dans l'une des quatre encoches. **NOTE :** vérifier que les deux côtés soient sur la même position pour un fonctionnement correct.

## FONCTIONNEMENT DU BOUTON DE MEULAGE

Pour faire passer le filtre auto-obscurecissant d'une teinte de coupage ou de soudage au mode de meulage, commencer par repérer le bouton en silicone qui se trouve sur le côté gauche du casque, puis appuyer dessus pendant 3 secondes. Un LED jaune sur la cartouche devrait ensuite clignoter toutes les 3 secondes pour indiquer le mode de meulage. Pour retourner à la teinte de coupage ou de soudage précédente, il suffit d'appuyer sur le bouton pendant 3 secondes. Le mode de meulage n'est conçu que pour le meulage et pas pour le soudage.



# FONCTIONNEMENT / FONCTIONNALITÉS DE LA CARTOUCHE

## Contrôle de teinte variable

La teinte peut être ajustée des teintes 5 à 8 et 9 à 13, en fonction du procédé de soudage ou de l'application (se reporter au tableau de choix des teintes, page 6). On ajuste la teinte en réglant l'interrupteur de gamme de teinte sur l'intervalle approprié, et on utilise ensuite le cadran à double échelle de teintes pour déterminer la teinte souhaitée. L'interrupteur de gamme de teinte et le cadran à double échelle se trouvent sur la cartouche de l'ADF, tel qu'illustré ci-dessous. .

## Bouton de Test

Appuyer de façon prolongée sur le bouton de test pour avoir un aperçu de la teinte choisie avant de souder. Une fois le bouton relâché, la fenêtre de vue retourne automatiquement à la clarté (Teinte 3,5).

## Bouton de Sensibilité

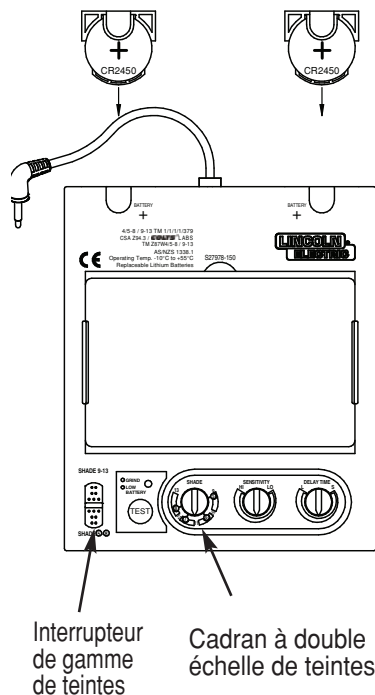
On peut ajuster le détecteur de lumière en tournant le bouton de **SENSIBILITÉ** vers la gauche ou vers la droite, tel que l'illustre la figure ci-dessous. Lorsqu'on tourne le bouton vers la gauche, la sensibilité augmente, ce qui rend la cartouche de l'ADF plus sensible à la lumière. Lorsque le casque est utilisé en présence de lumière ambiante excessive ou près d'une autre soudeuse, on peut obtenir un meilleur rendement du casque avec un réglage inférieur en tournant le bouton vers la droite pour diminuer la sensibilité.

## Bouton de Temps de retardement

Ce contrôle est conçu pour protéger les yeux du soudeur contre les rayons résiduels forts après le soudage. Les modifications du bouton de **TEMPS DE RETARDEMENT** feront changer le temps de passage de l'obscurité à la lumière de 0,1 seconde (**S**) à 1,0 seconde (**L**). Le réglage L est recommandé pour les applications à ampérage élevé où le bain de soudure est encore très brillant après que l'arc de soudage ait cessé et pour des situations où le filtre peut être bloqué temporairement après avoir regardé l'arc de soudage.

## Alimentation

Cette cartouche de l'ADF est alimentée par deux batteries remplaçables et l'énergie solaire. Les batteries se trouvent dans le coin inférieur de la cartouche de l'ADF. Changer les batteries lorsque l'indicateur lumineux de **BATTERIE FAIBLE** s'allume. Voir le tableau des spécifications page 3 pour connaître le type de batterie requis.





# ENTRETIEN DU CASQUE

**Nettoyage :** nettoyer le casque en l'essuyant avec un chiffon doux. Nettoyer la surface des cartouches régulièrement. Ne pas utiliser de solutions nettoyantes fortes. Nettoyer les détecteurs et les panneaux solaires avec une solution d'eau savonneuse et un chiffon propre, puis sécher en essuyant avec un chiffon non pelucheux.  
**NE PAS** submerger les cartouches de teinte dans l'eau ni dans d'autres solutions.

**Rangement :** ranger dans un endroit propre et sec.

## GUIDE DE RÉGLAGE DES TEINTES

GUIDE DES NUMÉROS DES TEINTES				
FONCTIONNEMENT	TAILLE D'ÉLECTRODE 1/32 in.(mm)	COURANT D'ARC (A)	TEINTE DE PROTECTION MINIMUM	No. DE TEINTE SUGGÉRÉ <sup>(1)</sup> (CONFORT)
Soudage à l'arc avec électrode enrobée	Moins de 3 (2,5)	Moins de 60	7	–
	3-5 (2,5-4)	60-160	8	10
	5-8 (4-6,4)	160-250	10	12
	Plus de 8 (6,4)	250-550	11	14
Soudage à l'arc gaz métal et soudage à l'arc avec électrode à noyau fourré		Moins de 60	7	–
		60-160	10	11
		160-250	10	12
		250-500	10	14
Soudage à l'arc avec électrode de tungstène en atmosphère de gaz		Moins de 50	8	10
		50-150	8	12
		150-500	10	14
Coupage à l'arc au charbon à jet d'air comprimé	(Léger)	Moins de 500	10	12
	(Lourd)	500-1000	11	14
Soudage à l'arc au plasma		Moins de 20	6	6 à 8
		20-100	8	10
		100-400	10	12
		400-800	11	14
Coupage à l'arc au plasma	(Léger) <sup>(2)</sup>	Moins de 300	8	9
	(Moyen) <sup>(2)</sup>	300-400	9	12
	(Lourd) <sup>(2)</sup>	400-800	10	14
Oxybrasage		–	–	3 ou 4
Brasage au gaz		–	–	2
Soudage à l'arc au charbon		–	–	14
ÉPAISSEUR DE LA PLAQUE				
	in.	mm		
Soudage au gaz Léger Moyen Lourd	Moins de 1/8	Moins de 3,2		4 ou 5
	1/8 à ½	3,2 à 12,7		5 ou 6
	Plus de ½	Plus de 12,7		6 ou 8
Coupage à l'oxygène Léger Moyen Lourd	Moins de 1	Moins de 25		3 ou 4
	1 à 6	25 à 150		4 ou 5
	Plus de 6	Plus de 150		5 ou 6

(1) Comme méthode empirique, commencer par une teinte trop foncée, puis passer à une teinte plus claire permettant une vue suffisante de la zone de la soudure sans passer sous le minimum. Pour le soudage ou le coupage oxygaz, où la torche émet une forte lumière jaune, il est souhaitable d'utiliser une lentille de filtre qui absorbe la ligne jaune ou sodium de la lumière visible du spectre de l'opération

(2) Ces valeurs s'appliquent là où l'arc réel est vu clairement. L'expérience a démontré que des filtres plus clairs peuvent être utilisés lorsque l'arc est caché par la pièce à souder.

Données d'ANSI Z49.1-2005

Si le casque ne comprend aucune des teintes référencées ci-dessus, il est recommandé d'utiliser la teinte la plus sombre suivante.

## CHANGEMENT DE LA CARTOUCHE ET DE LA LENTILLE

**Changement de la lentille transparente de protection frontale:** changer la lentille de protection frontale si elle est endommagée. Retirer l'ensemble du support de l'ADF selon la Figure 1. Retirer la lentille de protection frontale de l'ensemble du casque. Ôter soigneusement le joint de la lentille de protection. Installer une nouvelle lentille de protection dans le joint et monter le tout sur la coquille du casque. Prendre soin de monter la lentille de protection et le joint dans la coquille du casque de la même façon qu'ils ont été retirés.

**Changement de la lentille transparente intérieure :** changer la lentille transparente intérieure si elle est endommagée. Placer un ongle en retrait sous la fenêtre de vue de la cartouche et courber la lentille vers le haut jusqu'à ce qu'elle sorte des bords de la fenêtre de vue de la cartouche.

**Changement de la cartouche de teinte:** retirer l'ensemble de l'ADF de la coquille du casque. Voir la Figure 1 pour le retrait. Plier l'extrémité inférieure du support de l'ADF pour permettre le retrait de la cartouche de l'ADF du bâti. Installer la nouvelle cartouche de l'ADF dans le bâti selon la Figure 2 ci-dessous. Vérifier que la cartouche de l'ADF soit correctement insérée dans le support de l'ADF, comme sur l'illustration. Installer l'ensemble du support de l'ADF dans la coquille du casque.

### INSTALLATION D'UNE LOUPE DE RECHANGE:

Faire glisser tout simplement la loupe dans les rails courts situés sur les côtés du support de l'ADF, d'après la Figure 3.

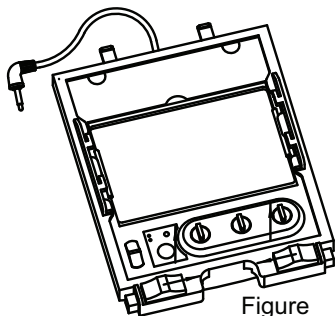


Figure  
1

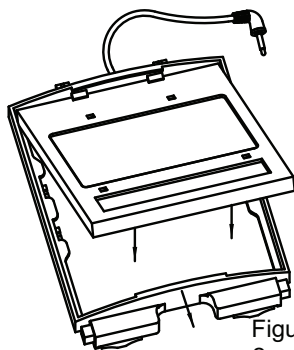


Figure  
2

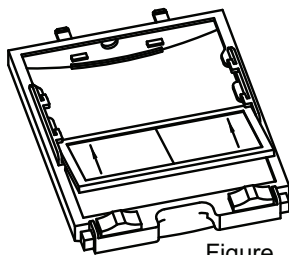


Figure  
3


## GUIDE DE DÉPANNAGE

Vérifier la cartouche de teinte avant de souder en dirigeant l'avant de la cartouche vers une source de lumière brillante, puis couvrir et découvrir rapidement les détecteurs avec les doigts. La cartouche doit s'obscurcir momentanément lorsque le détecteur est exposé. On peut également utiliser un percuteur de torche.

PROBLÈME	CAUSE POSSIBLE	SOLUTION
Difficulté à voir à travers le filtre.	La lentille de protection frontale est sale.	Nettoyer ou changer la lentille de protection frontale.
	La cartouche est sale.	Nettoyer la cartouche auto-obscurcissante avec une solution d'eau savonneuse et un chiffon doux.
Le filtre ne s'obscurcit pas lorsque l'arc est amorcé.	La sensibilité est réglée sur un niveau trop faible.	Régler la sensibilité sur le niveau requis.
	La lentille de protection frontale est sale.	Nettoyer ou changer la lentille de protection frontale.
	La lentille de protection frontale est endommagée.	Vérifier que la lentille de protection frontale ne soit pas fissurée ni piquée et la changer si besoin est.
	Les détecteurs sont bloqués ou le panneau solaire est bloqué.	Prendre soin de ne pas bloquer les détecteurs ou les panneaux solaires avec le bras ou tout autre obstacle pendant le soudage. Adapter sa position de telle sorte que les détecteurs puissent capter l'arc.
	Mode de meulage sélectionné.	Vérifier que la teinte correcte soit sélectionnée.
Le filtre s'obscurcit sans que l'arc n'ait été amorcé.	La sensibilité est réglée sur un niveau trop élevé.	Régler la sensibilité sur le niveau requis
Le filtre reste foncé après que la soudure soit terminée.	Le temps de retardement est réglé sur un niveau trop élevé.	Régler le temps de retardement sur le niveau requis
Le casque ne passe en mode de meulage après qu'on ait appuyé sur le bouton.	On n'a pas appuyé sur le bouton pendant 3 secondes.	Appuyer sur le bouton pendant 3 secondes.
	Le connecteur enfichable du filtre n'est pas complètement inséré dans le port du bouton.	Retirer le connecteur enfichable du port du bouton et le réinsérer dans le port.



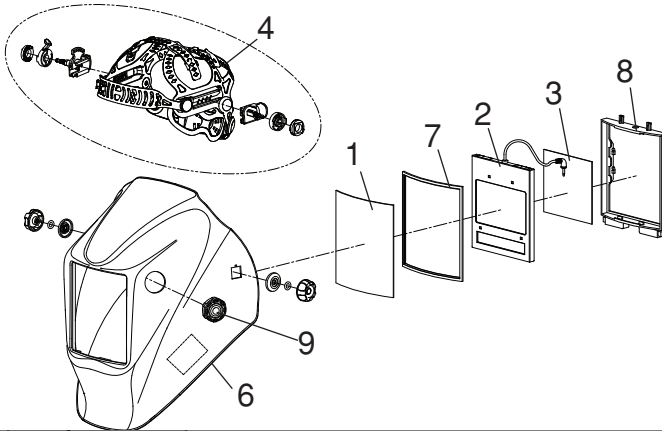
### WARNING

 <p><b>L'ADF est fissurée. Les projections de soudage endommagent le filtre.</b></p>	<b>Cesser d'utiliser ce produit si ce problème existe. La protection contre les UV/IR peut ne pas être efficace, ce qui pourrait causer des brûlures oculaires et cutanées.</b>	
	La lentille de protection frontale est absente, endommagée, cassée, fissurée ou déformée.	<b>Changer la lentille de protection frontale en fonction des besoins.</b>

## INFORMATIONS CONCERNANT LA GARANTIE - référence IMWS1 comprise dans la documentation.

**LES DOMMAGES CAUSÉS PAR LES PROJECTIONS NE SONT PAS COUVERTS PAR LA GARANTIE :**  
Ne pas utiliser ce produit si les lentilles transparentes extérieures de protection appropriées ne sont correctement installées sur les deux côtés de la cartouche du filtre auto-obscurcissant (ADF). Les lentilles transparentes fournies avec ce casque sont de la taille correcte pour fonctionner avec ce produit et les pièces de rechange d'autres fournisseurs doivent être évitées.

### PIÈCES DE RECHANGE



ARTICLE	PIECE No.	DESCRIPTION	QTE.
1	KP2898-1	LENTILLE DE PROTECTION EXTÉRIEURE (QTÉ PAR PAQUET : 5)	1
2	KP2932-4	CARTOUCHE ADF	1
3	KP2931-1	LENTILLE TRANSPARENTE INTÉRIEURE (QTÉ PAR PAQUET : 5)	1
4	KP4470-1	ENSEMBLE DU HARNAIS (BANDE ANTISUDATION ET RONDELLE DE RATTRAPAGE COMPRIS)	1
5*	KP2930-1	BANDE ANTISUDATION (QTÉ PAR PAQUET : 2)	1
6	KP4560-1	COQUILLE DE RECHANGE NOIR BRILLANT	1
7	S27978-32	JOINT POUR LENTILLE TRANSPARENTE EXTÉRIEURE	1
8	S27978-153	SUPPORT DE L'ADF	1
9	KP4562-1	ENSEMBLE DU BOUTON DE MEULAGE	1
10*	KP4491-1	CR2450 BATTERIE DE RECHANGE	1
11*	KP4541-1	COUSSIN DE COUVRE-CHEF (QUANTITÉ DE COLIS 2)	1

OPTIONAL ACCESSORIES		
PIECE No.	DESCRIPTION	QTE.
KP3046-100	LENTILLE LOUPE 1,00 DE GROSSISSEMENT	1
KP3046-125	LENTILLE LOUPE 1,25 DE GROSSISSEMENT	1
KP3046-150	LENTILLE LOUPE 1,25 DE GROSSISSEMENT	1
KP3046-175	LENTILLE LOUPE 1,75 DE GROSSISSEMENT	1
KP3046-200	LENTILLE LOUPE 2,00 DE GROSSISSEMENT	1
KP3046-225	LENTILLE LOUPE 2,25 DE GROSSISSEMENT	1
KP3046-250	LENTILLE LOUPE 2,50 DE GROSSISSEMENT	1
KP3047-1	ADAPTATEUR DE CASQUE DE SÉCURITÉ DE STYLE HALO	1
KP3486-1	ADAPTATEUR DE CASQUE DE SÉCURITÉ À ENCOCHE	1

\*Non illustré







## **POLITIQUE D'ASSISTANCE AU CLIENT**

Les activités commerciales de The Lincoln Electric Company sont la fabrication et la vente d'appareils de soudage de grande qualité, de matériel consommable et d'appareils de coupage.

Notre défi est de satisfaire les besoins de nos clients et de dépasser leurs attentes. Quelquefois, les acheteurs peuvent demander à Lincoln Electric de les conseiller ou de les informer sur l'utilisation de nos produits. Nous répondons à nos clients en nous basant sur la meilleure information que nous possédons sur le moment. Lincoln Electric n'est pas en mesure de garantir de tels conseils et n'assume aucune responsabilité à l'égard de ces informations ou conseils. Nous dénisons expressément toute garantie de quelque sorte qu'elle soit, y compris toute garantie de compatibilité avec l'objectif particulier du client, quant à ces informations ou conseils. En tant que considération pratique, de même, nous ne pouvons assumer aucune responsabilité par rapport à la mise à jour ou à la correction de ces informations ou conseils une fois que nous les avons fournis, et le fait de fournir ces informations ou conseils ne crée, n'étend ni altère aucune garantie concernant la vente de nos produits.

Lincoln Electric est un fabricant sensible, mais le choix et l'utilisation de produits spécifiques vendus par Lincoln Electric relève uniquement du contrôle du client et demeure uniquement de sa responsabilité. De nombreuses variables au-delà du contrôle de Lincoln Electric affectent les résultats obtenus en appliquant ces types de méthodes de fabrication et d'exigences de service.

Susceptible d'être modifié - Autant que nous le sachions, cette information est exacte au moment de l'impression. Merci de visiter le site [www.lincolnelectric.com](http://www.lincolnelectric.com) pour la mise à jour de ces informations.



### **THE LINCOLN ELECTRIC COMPANY**

22801 St. Clair Avenue • Cleveland, OH • 44117-1199 • U.S.A.  
Phone: +1.216.481.8100 • [www.lincolnelectric.com](http://www.lincolnelectric.com)