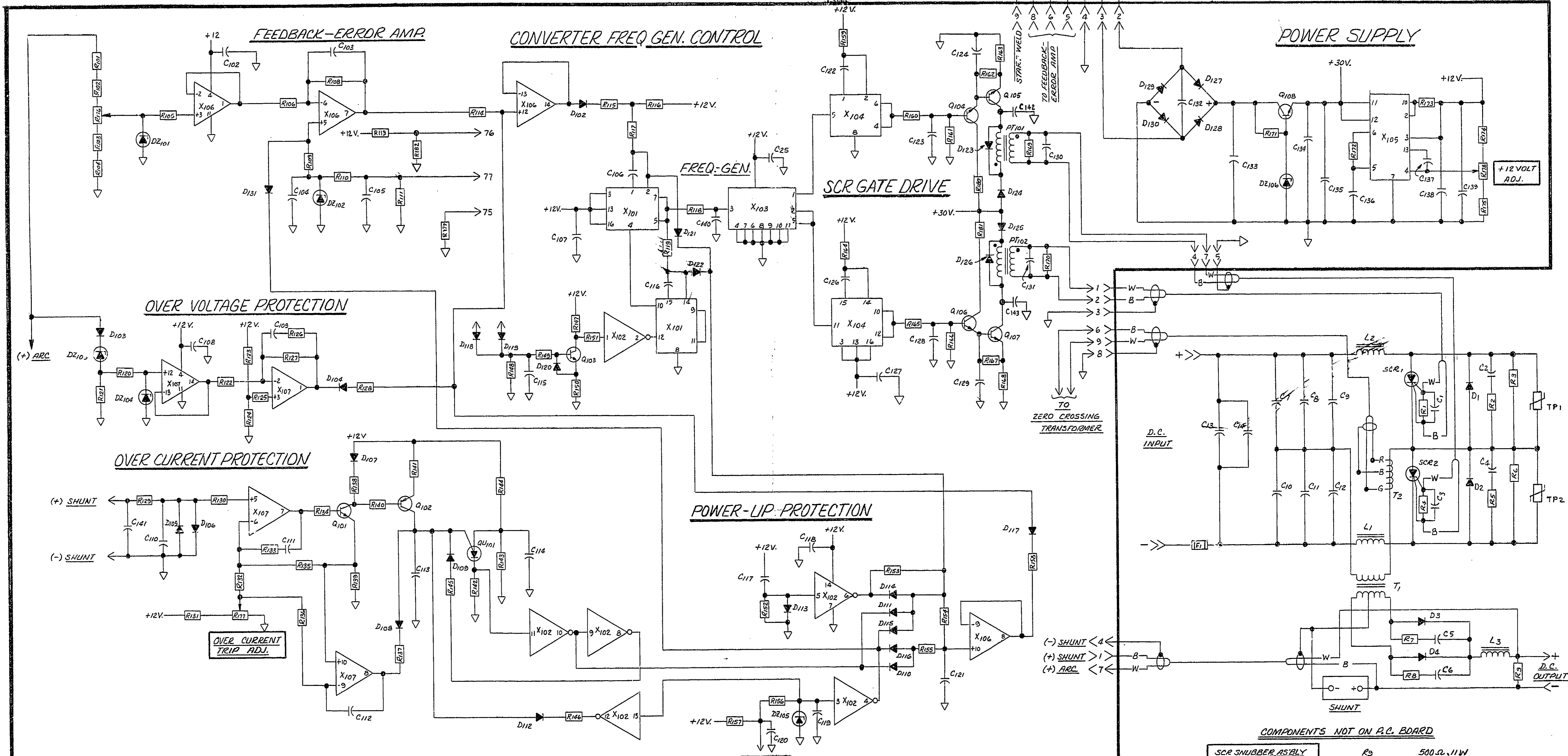


COLOR CODE

B - BLACK  
W - WHITE

THERMOSTAT LOCATED ON  
OUTPUT TRANSFORMER  
SECONDARY TAP.



**COMPONENTS ON P.C. BOARD**

C102	.020 MFD	C137	.020 MFD	D113	1.0A. 75V.
C103	.47 MFD	C138	50/60 MFD	D114	1.0A. 75V.
C104	.68 MFD	C139	.020 MFD	D115	1.0A. 75V.
C105	.020 MFD	C140	.000500 MFD	D116	1.0A. 75V.
C106	.0022 MFD	C141	.10 MFD	D117	1.0A. 75V.
C107	.020 MFD	C142	.020 MFD	D118	1.0A. 75V.
C108	.020 MFD	C143	.020 MFD	D119	1.0A. 75V.
C109	.10 MFD	L102	1.0A. 75V.	D120	1.0A. 75V.
C110	.020 MFD	L103	1.0A. 75V.	D121	1.0A. 75V.
C111	.020 MFD	D104	1.0A. 75V.	D122	1.0A. 75V.
C112	.020 MFD	D105	1.0A. 75V.	D123	1.0A. 400V.
C113	.33 MFD	D106	1.0A. 75V.	D124	1.0A. 400V.
C114	.0047-.005 MFD	D107	1.0A. 75V.	D125	1.0A. 400V.
C115	.0047-.005 MFD	D108	1.0A. 75V.	D126	1.0A. 400V.
C116	.001 MFD	D109	1.0A. 75V.	D127	1.0A. 400V.
C117	.47 MFD	D110	1.0A. 75V.	D128	1.0A. 400V.
C118	.020 MFD	D111	1.0A. 75V.	D129	1.0A. 400V.
		D112	1.0A. 75V.	D130	1.0A. 400V.
		D131	1.0A. 75V.	D137	1.0A. 75V.

**COMPONENTS ON P.C. BOARD**

DZ101	10V. 500mW	R101	27K $\Omega$	R119	82K $\Omega$	R137	22K $\Omega$	R155	33K $\Omega$	R173	10 $\Omega$
DZ102	6.2V. 500mW	R102	22K $\Omega$	R120	10K $\Omega$	R138	1K $\Omega$	R156	10K $\Omega$	R174	3.3K $\Omega$
DZ103	43V. 1W.	R103	4.7K $\Omega$	R121	39K $\Omega$	R139	1K $\Omega$	R157	22K $\Omega$	R175	4.7K $\Omega$
DZ104	10V. 500mW	R104	470 $\Omega$	R122	10K $\Omega$	R140	10K $\Omega$	R158	15K $\Omega$	R176	500 $\Omega$
DZ105	12V. 1W.	R105	10K $\Omega$	R123	47K $\Omega$	R141	2.2K $\Omega$	R159	68K $\Omega$	R177	100 $\Omega$
DZ106	30V. 1W.	R106	10K $\Omega$	R124	10K $\Omega$	R142	47K $\Omega$	R160	10K $\Omega$	R178	1K $\Omega$
		R107	10K $\Omega$	R125	10K $\Omega$	R143	220K $\Omega$	R161	10K $\Omega$	R179	10K $\Omega$
		R108	82K $\Omega$	R126	1K $\Omega$	R144	100K $\Omega$	R162	1K $\Omega$	R180	100 $\Omega$
		R109	10K $\Omega$	R127	100K $\Omega$	R145	10K $\Omega$	R163	10K $\Omega$	R181	100 $\Omega$
		R110	10K $\Omega$	R128	39K $\Omega$	R146	1K $\Omega$	R164	48K $\Omega$	R182	68K $\Omega$
		R111	10K $\Omega$	R129	10K $\Omega$	R147	100K $\Omega$	R165	10K $\Omega$		
		R112	1K $\Omega$	R130	10K $\Omega$	R148	1K $\Omega$	R166	10K $\Omega$		
		R113	18.3K $\Omega$	R131	10K $\Omega$	R149	100 $\Omega$	R167	1K $\Omega$		
		R114	22K $\Omega$	R132	10K $\Omega$	R150	100 $\Omega$	R168	10 $\Omega$		
		R115	6.8K $\Omega$	R133	47K $\Omega$	R151	1K $\Omega$	R169	27 $\Omega$		
		R116	150K $\Omega$	R134	1K $\Omega$	R152	330K $\Omega$	R170	27 $\Omega$		
		R117	3.3K $\Omega$	R135	680K $\Omega$	R153	33K $\Omega$	R171	470 $\Omega$		
		R118	2.7K $\Omega$	R136	1K $\Omega$	R154	680K $\Omega$	R172	1K $\Omega$		

**COMPONENTS NOT ON P.C. BOARD**

R9	500 $\Omega$ , 11W
C7-C12	30 MFD
C13, C14	50 MFD
D1, D2	100A. 400V.
D3, D4	400A. 400V.
C1, C3	.02 MFD
C2, C4	.47 MFD
F1	150 A.
F2	2A.
SCR1, SCR2	460A, 400V
SW1	POWER SWITCH
L1	SUPPRESSOR CHOKE (LEFT)
L2	SUPPRESSOR CHOKE (RIGHT)
L3	OUTPUT FILTER CHOKE
T1	Q-TAP TRANSFORMER
T2	ZERO CROSSING TRANSFORMER
T3	CONTROL TRANSFORMER

ANSI ELECTRICAL SYMBOLS PER E-15.37

THE LINCOLN ELECTRIC CO. CLEVELAND OHIO U.S.A.

DATE 12-3-72

C.V. CONVERTER SCHEMATIC

G-1518