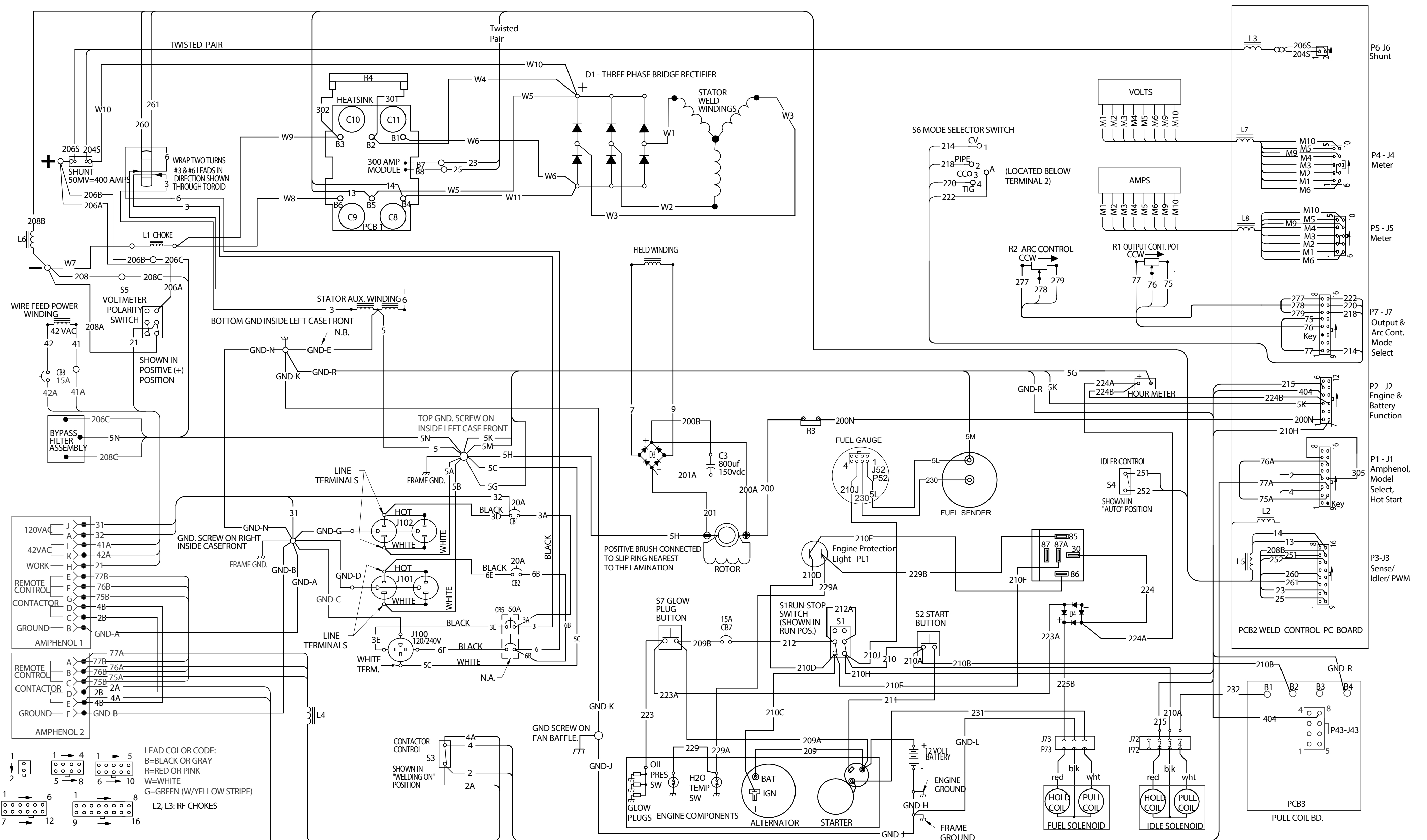


RANGER 305D KUBOTA WIRING DIAGRAM G4571-2 REV: B



CONNECTORS VIEWED FROM INSERTION END
 ALL CASE FRONT COMPONENTS SHOWN VIEWED FROM REAR.
 N.A. ON MACHINE CODES BELOW 11275, CB5 WAS TWO POLE BREAKERS IDENTIFIED AS CB5 & CB6.
 N.B. GND-E LEAD IS NOT PRESENT ON ALL MACHINES.