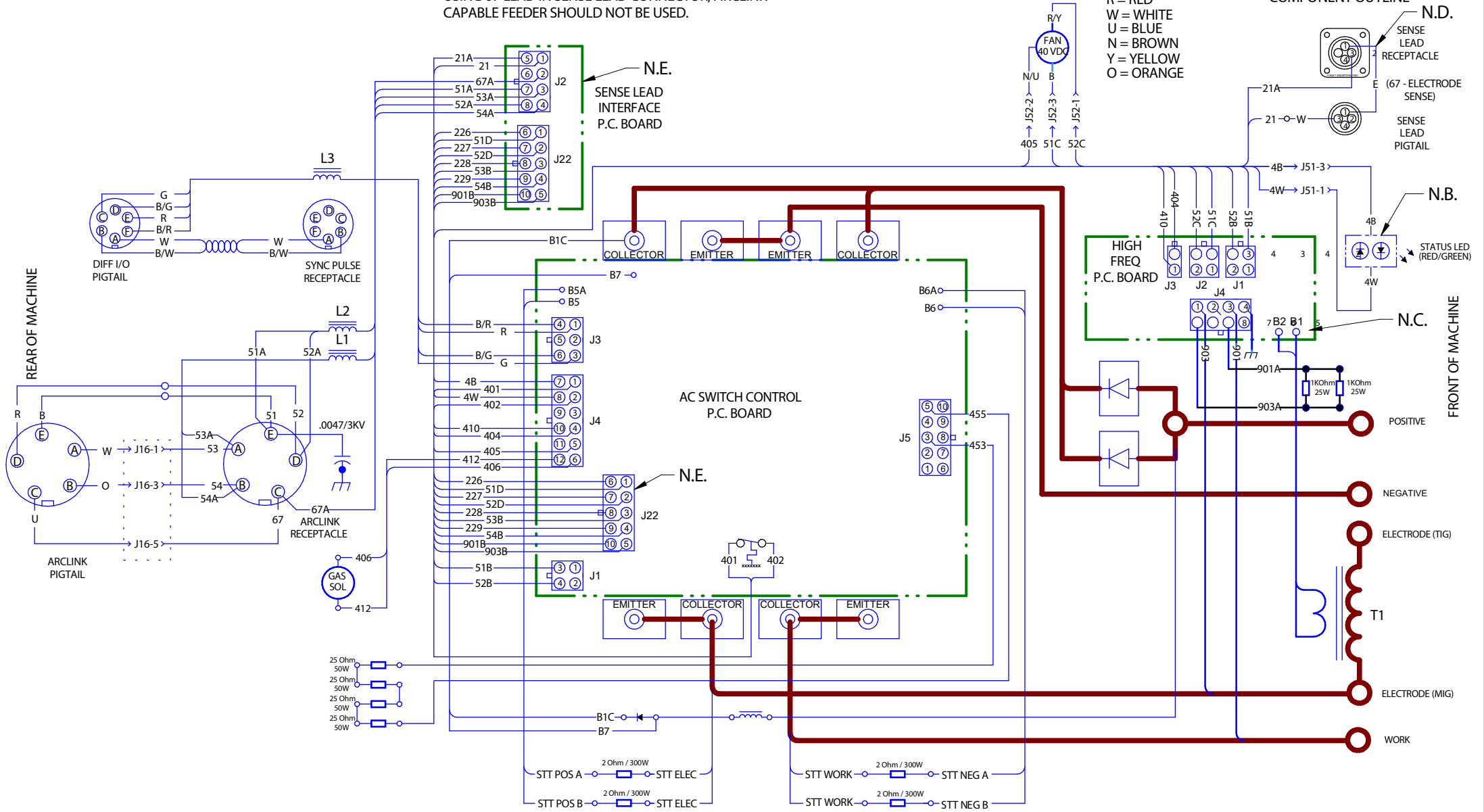


ADVANCED MODULE WIRING DIAGRAM M24668 REV: B

ELECTRODE SENSE LEAD (MAY ALSO BE IDENTIFIED AS 67)
SHOULD ONLY BE CONNECTED AT ONE POINT. IF
USING 67 LEAD IN SENSE LEAD CONNECTOR, ARCLINK
CAPABLE FEEDER SHOULD NOT BE USED.

COLOR CODE:
B = BLACK
G = GREEN
R = RED
W = WHITE
U = BLUE
N = BROWN
Y = YELLOW
O = ORANGE

LEGEND
— ALL MACHINES
- - - OPTION
- - - COMPONENT OUTLINE



CLEVELAND, OHIO U.S.A.

11192021