

MAGNUMTM PRO 350 and 550 FUME GUNS

IM990

October, 2008

TYPE: K2649-1, K2650-1

Safety Depends on You

Lincoln arc welding and cutting equipment is designed and built with safety in mind. However, your overall safety can be increased by proper installation ... and thoughtful operation on your part. **DO NOT INSTALL, OPERATE OR REPAIR THIS EQUIPMENT WITHOUT READING THIS MANUAL AND THE SAFETY PRECAUTIONS CONTAINED THROUGHOUT.** And, most importantly, think before you act and be careful.



OPERATOR'S MANUAL



LINCOLN[®]
ELECTRIC

Copyright © Lincoln Global Inc.

• World's Leader in Welding and Cutting Products •

• Sales and Service through Subsidiaries and Distributors Worldwide •

Cleveland, Ohio 44117-1199 U.S.A. TEL: 216.481.8100 FAX: 216.486.1751 WEB SITE: www.lincolnelectric.com

THANK YOU FOR SELECTING A QUALITY PRODUCT BY LINCOLN ELECTRIC.

PLEASE EXAMINE CARTON AND EQUIPMENT FOR DAMAGE IMMEDIATELY

When this equipment is shipped, title passes to the purchaser upon receipt by the carrier. Consequently, claims for material damaged in shipment must be made by the purchaser against the transportation company at the time the shipment is received.

SAFETY DEPENDS ON YOU

Lincoln arc welding and cutting equipment is designed and built with safety in mind. However, your overall safety can be increased by proper installation ... and thoughtful operation on your part. **DO NOT INSTALL, OPERATE OR REPAIR THIS EQUIPMENT WITHOUT READING THIS MANUAL AND THE SAFETY PRECAUTIONS CONTAINED THROUGHOUT.** And, most importantly, think before you act and be careful.

WARNING

This statement appears where the information must be followed exactly to avoid serious personal injury or loss of life.

CAUTION

This statement appears where the information must be followed to avoid minor personal injury or damage to this equipment.



KEEP YOUR HEAD OUT OF THE FUMES.

DON'T get too close to the arc. Use corrective lenses if necessary to stay a reasonable distance away from the arc.

READ and obey the Safety Data Sheet (SDS) and the warning label that appears on all containers of welding materials.

USE ENOUGH VENTILATION or exhaust at the arc, or both, to keep the fumes and gases from your breathing zone and the general area.

IN A LARGE ROOM OR OUTDOORS, natural ventilation may be adequate if you keep your head out of the fumes (See below).

USE NATURAL DRAFTS or fans to keep the fumes away from your face.

If you develop unusual symptoms, see your supervisor. Perhaps the welding atmosphere and ventilation system should be checked.



WEAR CORRECT EYE, EAR & BODY PROTECTION

PROTECT your eyes and face with welding helmet properly fitted and with proper grade of filter plate (See ANSI Z49.1).

PROTECT your body from welding spatter and arc flash with protective clothing including woolen clothing, flame-proof apron and gloves, leather leggings, and high boots.

PROTECT others from splatter, flash, and glare with protective screens or barriers.

IN SOME AREAS, protection from noise may be appropriate.

BE SURE protective equipment is in good condition.

Also, wear safety glasses in work area **AT ALL TIMES.**



SPECIAL SITUATIONS

DO NOT WELD OR CUT containers or materials which previously had been in contact with hazardous substances unless they are properly cleaned. This is extremely dangerous.

DO NOT WELD OR CUT painted or plated parts unless special precautions with ventilation have been taken. They can release highly toxic fumes or gases.

Additional precautionary measures

PROTECT compressed gas cylinders from excessive heat, mechanical shocks, and arcs; fasten cylinders so they cannot fall.

BE SURE cylinders are never grounded or part of an electrical circuit.

REMOVE all potential fire hazards from welding area.

ALWAYS HAVE FIRE FIGHTING EQUIPMENT READY FOR IMMEDIATE USE AND KNOW HOW TO USE IT.



SECTION A: WARNINGS



CALIFORNIA PROPOSITION 65 WARNINGS



WARNING: Breathing diesel engine exhaust exposes you to chemicals known to the State of California to cause cancer and birth defects, or other reproductive harm.

- Always start and operate the engine in a well-ventilated area.
- If in an exposed area, vent the exhaust to the outside.
- Do not modify or tamper with the exhaust system.
- Do not idle the engine except as necessary.

For more information go to www.P65warnings.ca.gov/diesel

WARNING: This product, when used for welding or cutting, produces fumes or gases which contain chemicals known to the State of California to cause birth defects and, in some cases, cancer. (California Health & Safety Code § 25249.5 *et seq.*)



WARNING: Cancer and Reproductive Harm
www.P65warnings.ca.gov

ARC WELDING CAN BE HAZARDOUS. PROTECT YOURSELF AND OTHERS FROM POSSIBLE SERIOUS INJURY OR DEATH. KEEP CHILDREN AWAY. PACEMAKER WEARERS SHOULD CONSULT WITH THEIR DOCTOR BEFORE OPERATING.

Read and understand the following safety highlights. For additional safety information, it is strongly recommended that you purchase a copy of "Safety in Welding & Cutting - ANSI Standard Z49.1" from the American Welding Society, P.O. Box 351040, Miami, Florida 33135 or CSA Standard W117.2-1974. A Free copy of "Arc Welding Safety" booklet E205 is available from the Lincoln Electric Company, 22801 St. Clair Avenue, Cleveland, Ohio 44117-1199.

BE SURE THAT ALL INSTALLATION, OPERATION, MAINTENANCE AND REPAIR PROCEDURES ARE PERFORMED ONLY BY QUALIFIED INDIVIDUALS.



FOR ENGINE POWERED EQUIPMENT.

- 1.a. Turn the engine off before troubleshooting and maintenance work unless the maintenance work requires it to be running.
- 1.b. Operate engines in open, well-ventilated areas or vent the engine exhaust fumes outdoors.
- 1.c. Do not add the fuel near an open flame welding arc or when the engine is running. Stop the engine and allow it to cool before refueling to prevent spilled fuel from vaporizing on contact



with hot engine parts and igniting. Do not spill fuel when filling tank. If fuel is spilled, wipe it up and do not start engine until fumes have been eliminated.

- 1.d. Keep all equipment safety guards, covers and devices in position and in good repair. Keep hands, hair, clothing and tools away from V-belts, gears, fans and all other moving parts when starting, operating or repairing equipment.
- 1.e. In some cases it may be necessary to remove safety guards to perform required maintenance. Remove guards only when necessary and replace them when the maintenance requiring their removal is complete. Always use the greatest care when working near moving parts.
- 1.f. Do not put your hands near the engine fan. Do not attempt to override the governor or idler by pushing on the throttle control rods while the engine is running.
- 1.g. To prevent accidentally starting gasoline engines while turning the engine or welding generator during maintenance work, disconnect the spark plug wires, distributor cap or magneto wire as appropriate.
- 1.h. To avoid scalding, do not remove the radiator pressure cap when the engine is hot.



ELECTRIC AND MAGNETIC FIELDS MAY BE DANGEROUS



- 2.a. Electric current flowing through any conductor causes localized Electric and Magnetic Fields (EMF). Welding current creates EMF fields around welding cables and welding machines
- 2.b. EMF fields may interfere with some pacemakers, and welders having a pacemaker should consult their physician before welding.
- 2.c. Exposure to EMF fields in welding may have other health effects which are now not known.
- 2.d. All welders should use the following procedures in order to minimize exposure to EMF fields from the welding circuit:
 - 2.d.1. Route the electrode and work cables together - Secure them with tape when possible.
 - 2.d.2. Never coil the electrode lead around your body.
 - 2.d.3. Do not place your body between the electrode and work cables. If the electrode cable is on your right side, the work cable should also be on your right side.
 - 2.d.4. Connect the work cable to the workpiece as close as possible to the area being welded.
 - 2.d.5. Do not work next to welding power source.



ELECTRIC SHOCK CAN KILL.



- 3.a. The electrode and work (or ground) circuits are electrically “hot” when the welder is on. Do not touch these “hot” parts with your bare skin or wet clothing. Wear dry, hole-free gloves to insulate hands.
- 3.b. Insulate yourself from work and ground using dry insulation. Make certain the insulation is large enough to cover your full area of physical contact with work and ground.

In addition to the normal safety precautions, if welding must be performed under electrically hazardous conditions (in damp locations or while wearing wet clothing; on metal structures such as floors, gratings or scaffolds; when in cramped positions such as sitting, kneeling or lying, if there is a high risk of unavoidable or accidental contact with the workpiece or ground) use the following equipment:

- Semiautomatic DC Constant Voltage (Wire) Welder.
 - DC Manual (Stick) Welder.
 - AC Welder with Reduced Voltage Control.
- 3.c. In semiautomatic or automatic wire welding, the electrode, electrode reel, welding head, nozzle or semiautomatic welding gun are also electrically “hot”.
 - 3.d. Always be sure the work cable makes a good electrical connection with the metal being welded. The connection should be as close as possible to the area being welded.
 - 3.e. Ground the work or metal to be welded to a good electrical (earth) ground.
 - 3.f. Maintain the electrode holder, work clamp, welding cable and welding machine in good, safe operating condition. Replace damaged insulation.
 - 3.g. Never dip the electrode in water for cooling.
 - 3.h. Never simultaneously touch electrically “hot” parts of electrode holders connected to two welders because voltage between the two can be the total of the open circuit voltage of both welders.
 - 3.i. When working above floor level, use a safety belt to protect yourself from a fall should you get a shock.
 - 3.j. Also see Items 6.c. and 8.



ARC RAYS CAN BURN.



- 4.a. Use a shield with the proper filter and cover plates to protect your eyes from sparks and the rays of the arc when welding or observing open arc welding. Headshield and filter lens should conform to ANSI Z87.1 standards.
- 4.b. Use suitable clothing made from durable flame-resistant material to protect your skin and that of your helpers from the arc rays.
- 4.c. Protect other nearby personnel with suitable, non-flammable screening and/or warn them not to watch the arc nor expose themselves to the arc rays or to hot spatter or metal.



FUMES AND GASES CAN BE DANGEROUS.



- 5.a. Welding may produce fumes and gases hazardous to health. Avoid breathing these fumes and gases. When welding, keep your head out of the fume. Use enough ventilation and/or exhaust at the arc to keep fumes and gases away from the breathing zone. **When welding hardfacing (see instructions on container or SDS) or on lead or cadmium plated steel and other metals or coatings which produce highly toxic fumes, keep exposure as low as possible and within applicable OSHA PEL and ACGIH TLV limits using local exhaust or mechanical ventilation unless exposure assessments indicate otherwise. In confined spaces or in some circumstances, outdoors, a respirator may also be required. Additional precautions are also required when welding on galvanized steel.**
- 5.b. The operation of welding fume control equipment is affected by various factors including proper use and positioning of the equipment, maintenance of the equipment and the specific welding procedure and application involved. Worker exposure level should be checked upon installation and periodically thereafter to be certain it is within applicable OSHA PEL and ACGIH TLV limits.
- 5.c. Do not weld in locations near chlorinated hydrocarbon vapors coming from degreasing, cleaning or spraying operations. The heat and rays of the arc can react with solvent vapors to form phosgene, a highly toxic gas, and other irritating products.
- 5.d. Shielding gases used for arc welding can displace air and cause injury or death. Always use enough ventilation, especially in confined areas, to insure breathing air is safe.
- 5.e. Read and understand the manufacturer’s instructions for this equipment and the consumables to be used, including the Safety Data Sheet (SDS) and follow your employer’s safety practices. SDS forms are available from your welding distributor or from the manufacturer.
- 5.f. Also see item 1.b.



WELDING AND CUTTING SPARKS CAN CAUSE FIRE OR EXPLOSION.



- 6.a. Remove fire hazards from the welding area. If this is not possible, cover them to prevent the welding sparks from starting a fire. Remember that welding sparks and hot materials from welding can easily go through small cracks and openings to adjacent areas. Avoid welding near hydraulic lines. Have a fire extinguisher readily available.
- 6.b. Where compressed gases are to be used at the job site, special precautions should be used to prevent hazardous situations. Refer to "Safety in Welding and Cutting" (ANSI Standard Z49.1) and the operating information for the equipment being used.
- 6.c. When not welding, make certain no part of the electrode circuit is touching the work or ground. Accidental contact can cause overheating and create a fire hazard.
- 6.d. Do not heat, cut or weld tanks, drums or containers until the proper steps have been taken to insure that such procedures will not cause flammable or toxic vapors from substances inside. They can cause an explosion even though they have been "cleaned". For information, purchase "Recommended Safe Practices for the Preparation for Welding and Cutting of Containers and Piping That Have Held Hazardous Substances", AWS F4.1 from the American Welding Society (see address above).
- 6.e. Vent hollow castings or containers before heating, cutting or welding. They may explode.
- 6.f. Sparks and spatter are thrown from the welding arc. Wear oil free protective garments such as leather gloves, heavy shirt, cuffless trousers, high shoes and a cap over your hair. Wear ear plugs when welding out of position or in confined places. Always wear safety glasses with side shields when in a welding area.
- 6.g. Connect the work cable to the work as close to the welding area as practical. Work cables connected to the building framework or other locations away from the welding area increase the possibility of the welding current passing through lifting chains, crane cables or other alternate circuits. This can create fire hazards or overheat lifting chains or cables until they fail.
- 6.h. Also see item 1.c.
- 6.i. Read and follow NFPA 51B "Standard for Fire Prevention During Welding, Cutting and Other Hot Work", available from NFPA, 1 Batterymarch Park, PO box 9101, Quincy, MA 022690-9101.
- 6.j. Do not use a welding power source for pipe thawing.



CYLINDER MAY EXPLODE IF DAMAGED.



- 7.a. Use only compressed gas cylinders containing the correct shielding gas for the process used and properly operating regulators designed for the gas and pressure used. All hoses, fittings, etc. should be suitable for the application and maintained in good condition.
- 7.b. Always keep cylinders in an upright position securely chained to an undercarriage or fixed support.
- 7.c. Cylinders should be located:
 - Away from areas where they may be struck or subjected to physical damage.
 - A safe distance from arc welding or cutting operations and any other source of heat, sparks, or flame.
- 7.d. Never allow the electrode, electrode holder or any other electrically "hot" parts to touch a cylinder.
- 7.e. Keep your head and face away from the cylinder valve outlet when opening the cylinder valve.
- 7.f. Valve protection caps should always be in place and hand tight except when the cylinder is in use or connected for use.
- 7.g. Read and follow the instructions on compressed gas cylinders, associated equipment, and CGA publication P-1, "Precautions for Safe Handling of Compressed Gases in Cylinders," available from the Compressed Gas Association, 14501 George Carter Way Chantilly, VA 20151.



FOR ELECTRICALLY POWERED EQUIPMENT.



- 8.a. Turn off input power using the disconnect switch at the fuse box before working on the equipment.
- 8.b. Install equipment in accordance with the U.S. National Electrical Code, all local codes and the manufacturer's recommendations.
- 8.c. Ground the equipment in accordance with the U.S. National Electrical Code and the manufacturer's recommendations.

Refer to
<http://www.lincolnelectric.com/safety>
for additional safety information.

PRÉCAUTIONS DE SÛRETÉ

Pour votre propre protection lire et observer toutes les instructions et les précautions de sûreté spécifiques qui paraissent dans ce manuel aussi bien que les précautions de sûreté générales suivantes:

Sûreté Pour Soudage A L'Arc

1. Protégez-vous contre la secousse électrique:
 - a. Les circuits à l'électrode et à la pièce sont sous tension quand la machine à souder est en marche. Éviter toujours tout contact entre les parties sous tension et la peau nue ou les vêtements mouillés. Porter des gants secs et sans trous pour isoler les mains.
 - b. Faire très attention de bien s'isoler de la masse quand on soude dans des endroits humides, ou sur un plancher métallique ou des grilles métalliques, principalement dans les positions assis ou couché pour lesquelles une grande partie du corps peut être en contact avec la masse.
 - c. Maintenir le porte-électrode, la pince de masse, le câble de soudage et la machine à souder en bon et sûr état de fonctionnement.
 - d. Ne jamais plonger le porte-électrode dans l'eau pour le refroidir.
 - e. Ne jamais toucher simultanément les parties sous tension des porte-électrodes connectés à deux machines à souder parce que la tension entre les deux pinces peut être le total de la tension à vide des deux machines.
 - f. Si on utilise la machine à souder comme une source de courant pour soudage semi-automatique, ces précautions pour le porte-électrode s'appliquent aussi au pistolet de soudage.
2. Dans le cas de travail au dessus du niveau du sol, se protéger contre les chutes dans le cas où on reçoit un choc. Ne jamais enrouler le câble-électrode autour de n'importe quelle partie du corps.
3. Un coup d'arc peut être plus sévère qu'un coup de soleil, donc:
 - a. Utiliser un bon masque avec un verre filtrant approprié ainsi qu'un verre blanc afin de se protéger les yeux du rayonnement de l'arc et des projections quand on soude ou quand on regarde l'arc.
 - b. Porter des vêtements convenables afin de protéger la peau de soudeur et des aides contre le rayonnement de l'arc.
 - c. Protéger l'autre personnel travaillant à proximité au soudage à l'aide d'écrans appropriés et non-inflammables.
4. Des gouttes de laitier en fusion sont émises de l'arc de soudage. Se protéger avec des vêtements de protection libres de l'huile, tels que les gants en cuir, chemise épaisse, pantalons sans revers, et chaussures montantes.
5. Toujours porter des lunettes de sécurité dans la zone de soudage. Utiliser des lunettes avec écrans latéraux dans les zones où l'on pique le laitier.

6. Eloigner les matériaux inflammables ou les recouvrir afin de prévenir tout risque d'incendie dû aux étincelles.
7. Quand on ne soude pas, poser la pince à un endroit isolé de la masse. Un court-circuit accidentel peut provoquer un échauffement et un risque d'incendie.
8. S'assurer que la masse est connectée le plus près possible de la zone de travail qu'il est pratique de le faire. Si on place la masse sur la charpente de la construction ou d'autres endroits éloignés de la zone de travail, on augmente le risque de voir passer le courant de soudage par les chaînes de levage, câbles de grue, ou autres circuits. Cela peut provoquer des risques d'incendie ou d'échauffement des chaînes et des câbles jusqu'à ce qu'ils se rompent.
9. Assurer une ventilation suffisante dans la zone de soudage. Ceci est particulièrement important pour le soudage de tôles galvanisées plombées, ou cadmiées ou tout autre métal qui produit des fumées toxiques.
10. Ne pas souder en présence de vapeurs de chlore provenant d'opérations de dégraissage, nettoyage ou pistolage. La chaleur ou les rayons de l'arc peuvent réagir avec les vapeurs du solvant pour produire du phosgène (gas fortement toxique) ou autres produits irritants.
11. Pour obtenir de plus amples renseignements sur la sûreté, voir le code "Code for safety in welding and cutting" CSA Standard W 117.2-1974.

PRÉCAUTIONS DE SÛRETÉ POUR LES MACHINES À SOUDER À TRANSFORMATEUR ET À REDRESSEUR

1. Relier à la terre le châssis du poste conformément au code de l'électricité et aux recommandations du fabricant. Le dispositif de montage ou la pièce à souder doit être branché à une bonne mise à la terre.
2. Autant que possible, l'installation et l'entretien du poste seront effectués par un électricien qualifié.
3. Avant de faire des travaux à l'intérieur de poste, la débrancher à l'interrupteur à la boîte de fusibles.
4. Garder tous les couvercles et dispositifs de sûreté à leur place.

Mar. '93

TABLE OF CONTENTS

	Page.
Installation	Section A
Technical Specifications	A-1
Unpacking the Spool Gun	A-2
Fume Gun Familiarization	A-2
Assembly of Fume Gun Internal Parts	A-2, A-3
Safety Precautions	A-3
Compatibility of Welding Machines and Wire Feeders	A-3
Preparing the Fume Gun for Welding	A-3
Select and Install a Wire Feeder Connection K Kit	A-4
Select and Install Gun Consumable Parts	A-5
Connect the Gun to the Wire Feeder	A-6
Connect the Gun to the Fume Collection System	A-6
OPERATION	Section B-1
Safety Precautions	B-1
Product Description	B-1
Selecting or Changing the Trigger Position	B-2
Prepare the Fume Gun for Welding	B-3
Load Specified Wire into the Gun	B-3
Make the Weld	B-3
Accessories	Section C-1
Maintenance	Section D
Recommended Tools	D-1
Routine Cleaning and Inspections	D-1
Gas Diffuser Replacement	D-1
Liner Assembly Cleaning or Replacement	D-1
Trigger and Accessory Switch Lead Routings	D-2
Gun Tube Replacement	D-3
Trigger Assembly Replacement	D-3
Gun Cable Assembly Replacement	D-3, D-4
Troubleshooting	Section E
How To Use Trouble Shooting Guide	E-1
Troubleshooting	E-2 to E-5
Parts List	P-202-AB, P-202-AC Series

TECHNICAL SPECIFICATIONS - MAGNUM PRO FUME GUNS**MODELS**

K2649-1 Magnum Pro 350 amp Fume Gun
K2650-1 Magnum Pro 550 amp Fume Gun

WELDING PROCESSES

GMAW (MIG), FCAW (also FCAW-SS), and FCAW-GS on ferrous base metals.

FILLER WIRE ALLOYS

Lincoln Super Arc, Super Glide, Innershield, and Outershield brand products.

MAXIMUM WIRE SIZES (DIAMETERS) BY WELDING PROCESSES

Both Models: 1/16 inch solid wire, GMAW
K2649-1: 1/16 inch cored wire, FCAW and FCAW-GS
K2650-1: 3/32 inch cored wire, FCAW and FCAW-GS

RATED WELDING CURRENT AND DUTY CYCLE (10-MINUTE BASIS)

K2649-1: 350 amps at 100%, all processes
K2650-1: 550 amps at 100%, FCAW and FCAW-GS
K2650-1: 450 amps at 100%, GMAW

OVERALL WEIGHT

K2649-1: 17.5 lbs.
K2650-1: 20.0 lbs.

CABLE LENGTH

15.0±0.2 feet

METHOD OF GUIDANCE

Semiautomatic (manually-guided)

METHOD OF COOLING

Air-cooled

MAGNUM™ PRO 350 and 550 FUME GUNS



UNPACKING THE FUME GUN

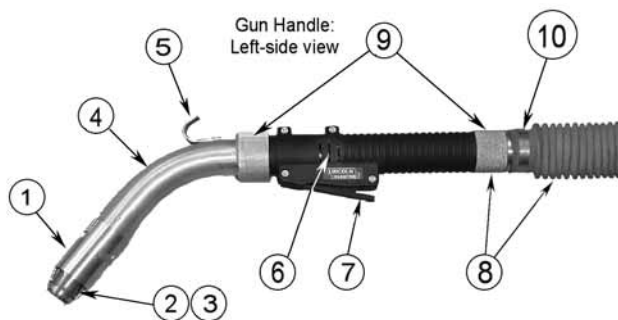
Fume guns are factory-assembled and tested. Both gun models are shipped with a FCAW fume collection nozzle installed. Contact tips for 0.045 and 3/32" Diameter Wire are also installed on the 350 and 550 models, respectively. After opening the packaging, check that it contains 1 fully assembled fume gun, 1 GMAW fume collection nozzle, and 1 instruction manual (IM990).

FUME GUN FAMILIARIZATION (550 amp model shown)

GUN HANDLE (Figure A.1, Items 1 thru 10)

- 1/8-Turn Fume Collection Nozzle (FCAW self-shielded version shown).
- Heavy-Duty Slip-On Gas Nozzle Assembly.
- Heavy-Duty Gas Diffuser Assembly with Magnum Pro Contact Tip.
- Fume Tube Assembly with Integral Gun Hanger and Locking Collar.
- Gun Hanger.
- Handle Cooling Vents.
- Trigger Assembly (SPST contacts, non-locking) with Finger Extension. Optional locking trigger assembly is available.
- Swivel and Bellows Assemblies increase gun flexibility.
- Locking Collar & Swivel allow Rapid Selection of Trigger-Down (shown) or Trigger-Up Positions.
- Low-Profile Reusable Hose Clamps.

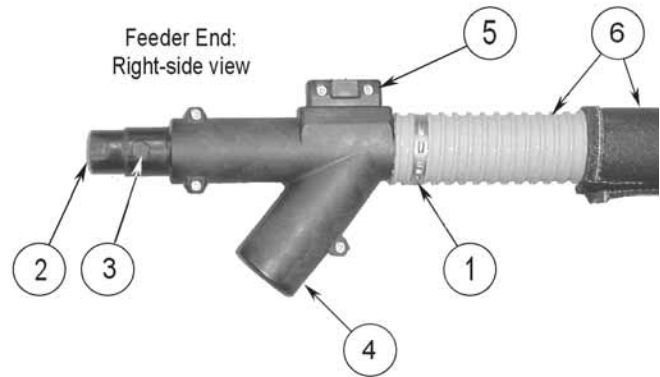
FIGURE A.1



FEEDER END (Figure A.2, Items 1 thru 6)

- Low-Profile Reusable Hose Clamps.
- Incoming Connector Assembly: accommodates all standard Lincoln Magnum 300, 400, and 550 feeder connection K kits.
- Gas Plug.
- Vacuum Connection.
- Modular Trigger Terminal Housing.
- Vacuum Hose and Cover. Cover resists hot weld spatter; can be quickly and easily replaced with hook & eye closure along its entire length.

FIGURE A.2

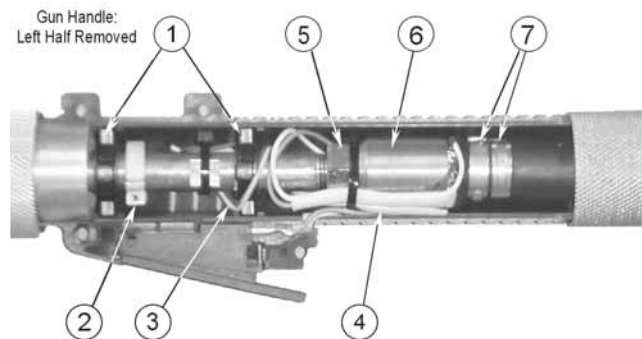


ASSEMBLY OF FUME GUN INTERNAL PARTS (550 amp model shown)

GUN HANDLE END (Figure A.3, Items 1 thru 7)

- Two spiders support the handle and allow it to swivel around the gun tube assembly for Trigger-Down (shown) or Trigger-Up Positions.
- Gun tube lock (with roll pin) prevents handle over-rotation to avoid trigger lead damage.
- Accessory switch leads (blue and black) may serve as spare trigger leads.
- Trigger and accessory leads are routed to permit air flow and avoid lead damage.
- One-piece copper electrical connector (cone) and gas hose barb fitting.
- Copper cable nut for high electrical conductivity.
- Two clamps (non-reusable) secure the cable's core tube to its hose barb fittings.

FIGURE A.3



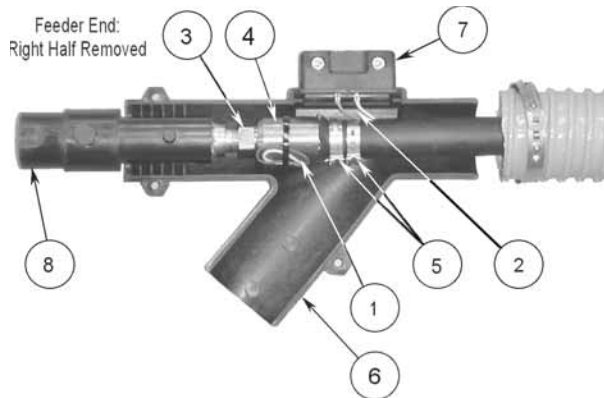
FEEDER END (Figure A.4, Items 1 thru 8)

- Accessory switch leads (blue and black) may serve as spare trigger leads.
- Trigger and accessory leads are routed to permit air flow and avoid lead damage.
- One-piece copper electrical connector (cone) and gas hose barb fitting.
- Copper cable nut for high electrical conductivity.
- Two clamps (non-reusable) secure the cable's core tube to its hose barb fittings.

MAGNUM™ PRO 350 and 550 FUME GUNS

6. Split Y connector halves allow the gun's feeder end to be easily serviced.
7. Modular trigger terminal housing. May be easily changed to dual-procedure (DP) harness.
8. Incoming connector assembly accepts existing wire feeder connection K kits for Magnum 300, 400, and 550 guns.

FIGURE A.4



SAFETY PRECAUTIONS

⚠ WARNING



ELECTRIC SHOCK CAN KILL.

- Turn the input power OFF at the welding power source before installation or changing drive rolls and/or guides.
- Do not touch electrically live parts.
- **Magnum™ Pro Fume Guns** When inching with the gun trigger, electrode and drive mechanism are "hot" to work and ground and could remain energized several seconds after the gun trigger is released.
- **Welding Machines, Wire Feeders, and Fume Extraction Equipment**--Read and understand the equipments' instruction manuals and all hazard warnings on equipment and in the manuals.
 - **Personal Protective Equipment**--Wear the proper personal protective equipment for welding, including but not limited to, safety glasses, hearing protection, protective footwear, welding helmet, welding gloves, and welding leathers.
- This product shall not be used in precipitation, or in wet or damp locations.
- Use these fume guns only with all consumable parts properly installed in place.
- Do not use these fume guns for arc-gouging.



COMPATIBILITY OF WELDING MACHINES AND WIRE FEEDERS

1. If the welding process requires welding gas (FCAW-GS, GMAW, or MIG), then either the welding machine or feeder must be equipped with a gas solenoid valve to supply welding gas to the fume gun.
2. A gas mixer and regulator is required upstream of the gas solenoid valve to supply specified blends of welding gas at the specified flow rate.

PREPARING THE FUME GUN FOR WELDING

- Read all safety information: See the front of this instruction manual. Perform the following sections in the order shown.

Prepare the Welding Machine and Wire Feeder as follows:

1. Read all safety information in all related instruction manuals.
2. Disconnect input power to the machine and the wire feeder.
3. Machine and feeder polarity settings: Set to match the electrode's polarity requirement per the instruction manuals.
4. Gas selection: Connect gas supply to either the machine's or the feeder's gas solenoid valve. Set the gas mixer (if required) to the specified gas composition.
5. Gas flow rate: Set the supply regulator to deliver a gas flow rate of 50 to 70 SCFH thru the fume gun.

SELECT AND INSTALL A WIRE FEEDER CONNECTION K KIT

TABLE A.1

Wire Feeder Data		Kit No. for Gun Model	
Manufacturer	Model	350 amp	550 amp
Lincoln Electric	LN-7, LN-8, & LN-9 series; LN-25 (0.052 max.); LN-742	K466-1	none
	LN-7, LN-8, & LN-9 series; LN-25 (1/16 min.); LN-742	K466-8	none
	LF-72, LN-74	K466-10	none
	Series 10 feeders; LN-15; PF-10M; PF-15M	K466-10	none
	Power MIG & Wirematic series feeders	K466-6	none
	LN-7, LN-8, & LN-9 series (0.052 max.)	none	K613-1
	LN-8, & LN-9 series (1/16 min.)	none	K613-6
Tweco Adapted	Series 10 feeders; PF-10M	none	K613-7
	No. 2, 3, and 4 guns	K466-2	K613-2
Miller	Intellimatic, Side Kick, D-51A, Porta-MIG, Millermatic 130, 300 & 35 S-42GL, S-52A & S-54A Swing Arc –Dual & Single, S-22, S-32S, 52D, 54D, 54E, 60 & 70 series	K466-3	K613-3
Hobart	Dualmatic 27/70, H3S, H4S, H6S Mega-Conds 27, 44, 45, 70, 70S	K466-4	K613-4
	2000 series; 17 Hefty	K466-7	K613-5
ESAB	Digamig, EH1, 5 & 11, SEH-4 & 5, SWM11 & 11B, 12, 13, 23, 24, 25, 26, 35, VAM2	K466-5	none

Note that the Magnum Pro 350 and 550 amp fume guns use the same connection kits as the Magnum 300 / 400 and 550 MIG gun products (non-Fastmate), respectively.

SELECT AND INSTALL GUN CONSUMABLE PARTS

1. LINER ASSEMBLY

TABLE A.2

Wire Diameter	KP Nos. for Gun Model	
	350 amp	550 amp
0.035	KP44-3545-15	KP45-3545-15
0.045	KP44-3545-15	KP45-3545-15
0.052	KP44-116-15	KP45-116-15
1/16	KP44-116-15	KP45-116-15
5/64	none	KP45H-332-15
3/32	none	KP45H-332-15

Note that the Magnum Pro 350 and 550 amp fume guns use the same liner assemblies as the Magnum 300 and 550 MIG gun products, respectively.

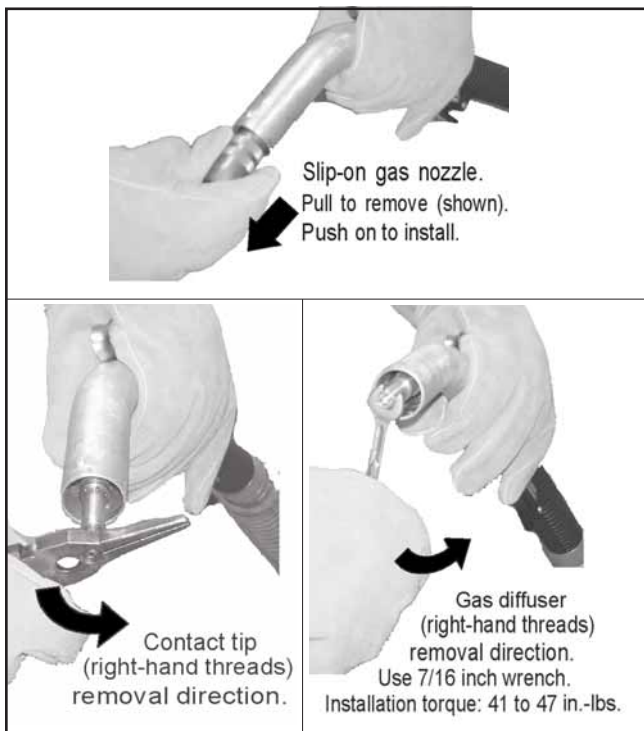
2. CONTACT TIP (See Figure A.5)

TABLE A.3

Gun Model	Wire Diameter	KP Numbers	
		10-piece pack	100-piece pack
Both	0.035	KP2745-035	KP2745-035-B100
	0.045	KP2745-045	KP2745-045-B100
	0.052	KP2745-052	KP2745-052-B100
	1/16	KP2745-116	KP2745-116-B100
550 amp	5/64	KP2745-564	KP2745-564-B100
	3/32	KP2745-332	KP2745-332-B100

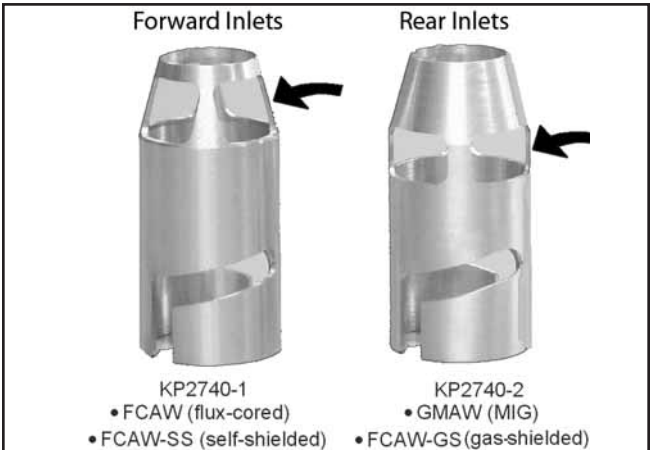
3. GAS DIFFUSER, CONTACT TIP AND GAS DIFFUSER

Figure A.5

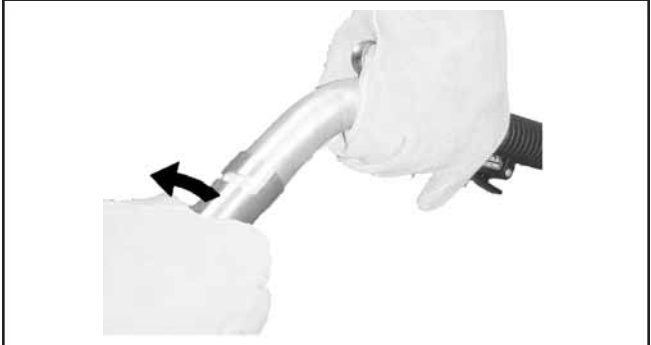


4. FUME COLLECTION NOZZLE (See Figure A.6)

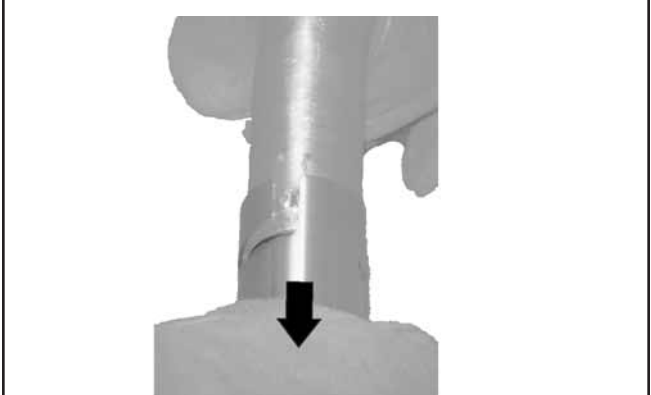
Figure A.6



- Select the fume collection nozzle to match the welding process.



- Twist counter clockwise to begin removing the fume collection nozzle (right-hand thread convention).



- Pull to finish removing the fume collection nozzle. Install nozzle by pushing then twisting clockwise. Do not over-tighten the nozzle.

PERIODIC REPLACEMENT PARTS

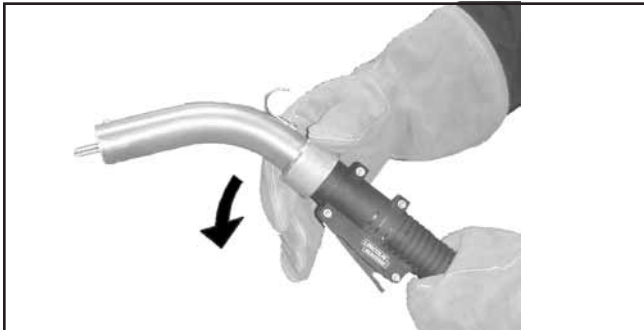
Gun tube assembly	KP2738-1
Fume tube assembly	KP2739-1
Vacuum hose cover	KP2736-1
Liner assemblies	See Table A.2

MAGNUM™ PRO 350 and 550 FUME GUNS

5. REMOVING THE FUME TUBE ASSEMBLY

(See figure A.7)

Figure A.7



- Loosen locking collar (counter clockwise, right-hand threads) on fume tube. Gas diffuser may remain in place.



- Slide the fume tube out of the gun handle.



- Slide the fume tube off of the gun tube.



- Fume tube removed.

CONSUMABLE PARTS

Contact tips	See Table A.3
Gas diffuser assembly	KP2747-1
Gas nozzle assembly, 5/8 inch opening	KP2743-2-62R
Fume collection nozzles	See Figure A.6

CONNECT THE GUN TO THE WIRE FEEDER

1. Make sure that the gun locking knob is loosened. Insert the gun into the gun conductor block and tighten the gun locking knob.
2. Make the gas connection from the feeder to the gun (if required).
3. Plug the trigger harness into the gun's Y-connector. Plug the trigger harness' connector into the receptacle on the front of the feeder.

CONNECT THE GUN TO THE FUME COLLECTION SYSTEM

1. Speed setting for Lincoln Miniflex system: "High" is preferred for maximum fume collection.
2. Automatic / Manual setting (where available): Set to "Manual" mode so that fume collection system will continue running after welding. This ensures maximum cooling of the gun. Fume collection system or gate valve to the gun may be shut off or closed after the gun has cooled for 10 minutes since the last weld.

MAGNUM™ PRO 350 and 550 FUME GUNS



SAFETY PRECAUTIONS

Read and understand this entire section before operating the machine.

WARNING



ELECTRIC SHOCK can kill.

- Do not touch electrically live parts or electrode with skin or wet clothing.
- Insulate yourself from work and ground.
- Always wear dry insulating gloves.
- Read and follow “Electric Shock Warnings” in the Safety section if welding must be performed under electrically hazardous conditions such as welding in wet areas or on or in the workpiece.



FUMES AND GASES can be dangerous.

- Keep your head out of fumes.
- Use ventilation or exhaust to remove fumes from breathing zone.



WELDING SPARKS can cause fire or explosion

- Keep flammable material away.
- Do not weld on containers that have held combustibles.



ARC RAYS can burn.

- Wear eye, ear and body protection.

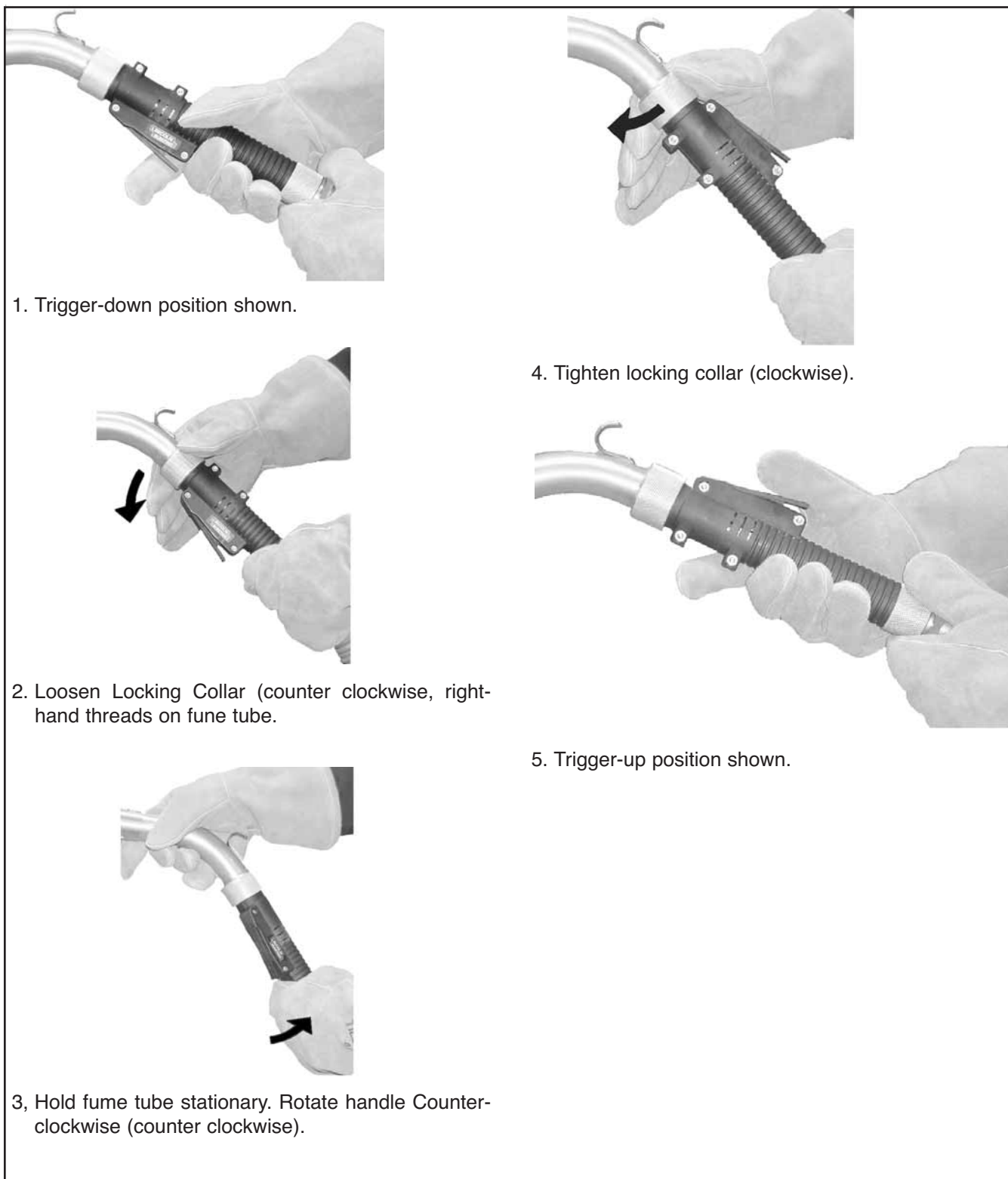
Observe additional Safety Guidelines detailed in the beginning of this manual.

PRODUCT DESCRIPTION

- Reliable, industrial-quality welding gun primarily for experienced welders.
- In a few seconds the trigger may be rotated 180 degrees to a trigger “up” or “down” position by the welding operator. Neither tools nor gun disassembly is required.
- GMAW or FCAW fume collection nozzles may be selected for fume collection. They can be easily and quickly installed or removed by hand. The design tolerates dirt accumulation and heat without seizing in place.
- Optional dual-procedure switch and modular trigger connection to wire feeder.
- Spoiler: An optional ergonomic hand grip.
- Gun cable compactly integrates welding current, wire feeding, and gas supply with gun control functions.

SELECTING OR CHANGING THE TRIGGER POSITION (See Figure B.1)

FIGURE B.1



MAGNUM™ PRO 350 and 550 FUME GUNS



PREPARE THE FUME GUN FOR WELDING

(Also See **Installation Section**)

- Read all safety information in this Instruction Manual.
- Verify that input power to the machine and the wire feeder is disconnected.

LOAD SPECIFIED WIRE INTO THE GUN

1. Refer to welding wire literature for proper machine and feeder settings and proper usage.
2. Select specified welding wire.
3. Load specified welding wire into the feeder.
4. Connect the gun to the welding machine per the **Installation Section**.
5. Reconnect power to the welding machine and wire feeder.
6. Feed wire through the gun and contact tip. It may be necessary to temporarily remove the contact tip to feed wire. Reinstall the tip if it was removed.

MAKE THE WELD

1. Obtain and use the proper personal protective equipment for welding. See **Safety Precautions** in the **Installation Section** and at the beginning of this Instruction Manual.
2. Cut off the wire so that it extends about 1/4 inches from the contact tip.
3. Verify that the input power is connected to the machine and wire feeder.
4. Flip the machine's and feeder's power switches to "on".
5. Flip the fume extractor's power switch to "on". Set the extractor to the correct operating speed.
6. CTWD (contact tip to work distance) and push (GMAW) or drag (FCAW) angle: Read the filler wire instructions to determine the correct CTWD and angle values for the selected welding procedure and position the gun accordingly. The protruding welding wire should not contact the workpiece.

7. Protect the eyes and pull the trigger to begin welding.
8. Adjust the hand travel speed of the gun to achieve a proper weld. The emerging wire should stay within the molten puddle and not overrun it. This speed also should not be so slow that either the workpiece excessively melts, or that the weld bead becomes excessively large.
9. Release the trigger to stop welding.
10. Fume collection system or gate valve to the gun may be shut off or closed after the gun has cooled for 10 minutes since the last weld.

ACCESSORIES OR OPTIONS

- Optional dual-procedure switch and modular trigger connection to wire feeder.
- Spoiler: An optional ergonomic hand grip.

RECOMMENDED TOOLS

- Adjustable-jaw pliers
- Welding pliers (optional)
- 7/16 inch open-end wrench (gas diffuser, gas plug or fitting, gun tube wrench flats)
- 1-1/8 inch open-end wrench (incoming connector)
- 9/64 inch allen wrench (handle screws)
- 5/64 inch allen wrench (liner set screw)
- 3/4 inch open-end wrench (cable cone)
- 7/8 inch open-end wrench (cable nut)
- 3/32 inch dia. drift (gun tube lock removal)
- Hammer
- Wire cutter
- Wire stripper
- Needle-nose pliers
- External snap ring pliers (gun tube spiders)
- Terminal crimping tool
- Flashlight
- Hand-held electrical meter
- Tape measure or 6-inch scale
- Oetiker clamp tool
- Oetiker clamp crimping tool

ROUTINE CLEANING AND INSPECTIONS

1. Clean out fume collection nozzle, fume tube assembly, and handle cooling slots
2. Wipe off dust and debris
3. Clean out the inside of the liner assembly (**See Liner Assembly Cleaning or Replacement, Installation Section**)
4. Check that the gun tube and incoming connector assembly are properly tightened to the cable assembly
5. Replace any warning or product identification decals that have become illegible

GAS DIFFUSER REPLACEMENT

(See **Select and Install Consumable Parts, Installation Section**)

This part may need to be replaced if it has accumulated excessive spatter and cannot be cleaned:

1. Remove fume collection nozzle, gas nozzle, and contact tip.
2. Install gas diffuser and thread into place in gun tube. Tighten diffuser to 41 to 47 in.-lbs. with wrench.

LINER ASSEMBLY CLEANING OR REPLACEMENT

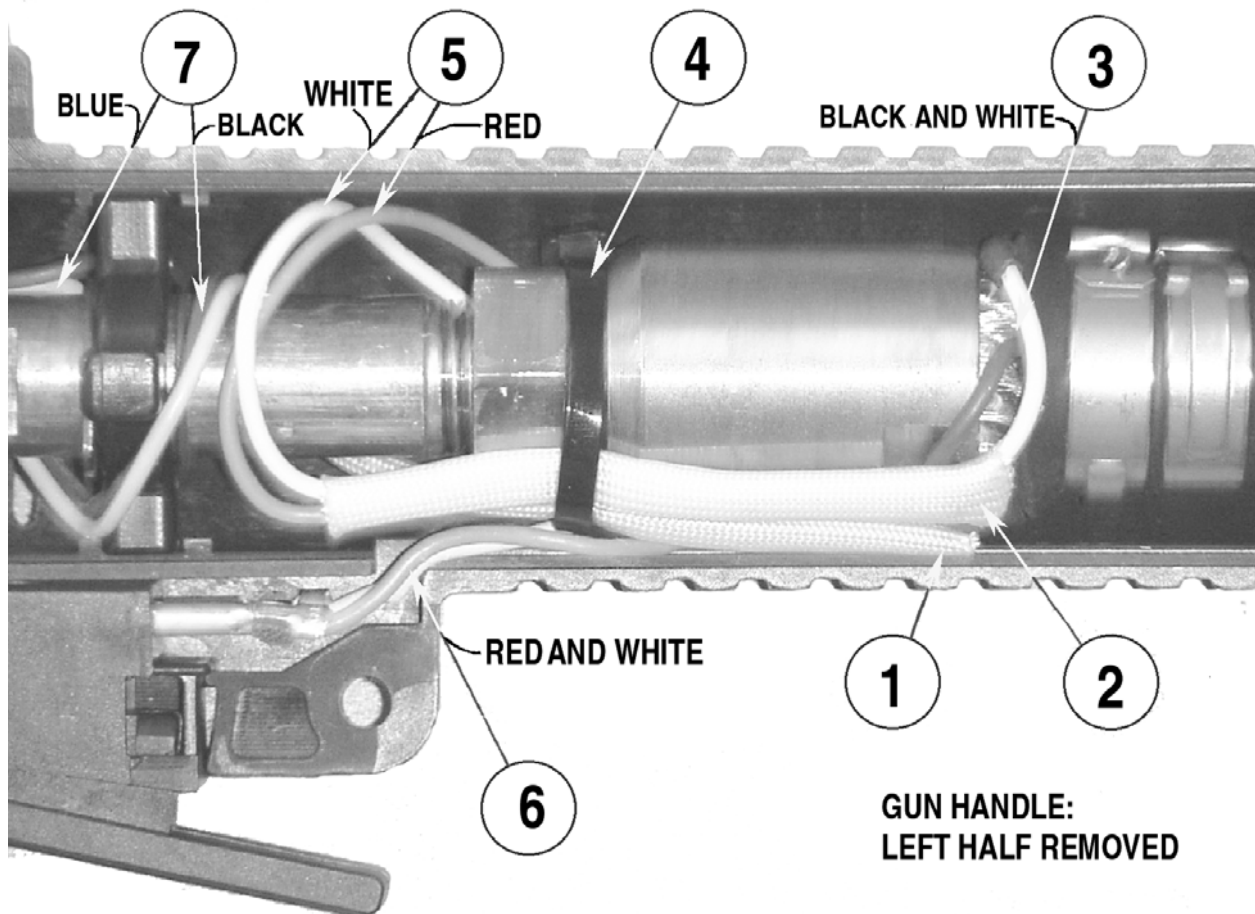
- Clean out old liner by straightening out the gun and gently blowing out the liner with shop air or obtain a new liner assembly.
 - Replacement liner assemblies are factory-made to a length longer than the gun. Cutting is required.
1. Straighten out the gun. Remove fume collection nozzle, gas nozzle, contact tip, and gas diffuser (**See Liner Assembly Cleaning or Replacement, Installation Section**).
 2. Loosen liner set screw and remove old liner by sliding it rearward from the gun.
 3. Install new liner and retighten set screw. Use care not to over-tighten set screw or liner will be deformed and damaged.
 4. Cut new liner to length, measuring 0.500 to 0.625 inches from the end of the gun tube. Deburr the end of the liner.
 5. Reinstall gas diffuser by threading into place. Tighten to 41 to 47 in.-lbs. with wrench.
 6. Reinstall contact tip, gas nozzle, and fume collection nozzle.

TRIGGER AND ACCESSORY SWITCH LEAD ROUTINGS

(Gun Handle, See Figure D.1)

- Route the trigger (red and white) and accessory (blue and black) leads following the steps shown below. Proper routing:
 - Provides adequate slack so that the handle can rotate to its trigger-up or trigger-down positions without damaging or disconnecting the leads.
 - Avoids fume air flow blockage and unnecessary restrictions through the handle.
1. Start with trigger and gun tube in the trigger-down position (See Figure B.1, Operation Section). Run sleeved accessory switch leads (blue and black) parallel to gun centerline. Rear end of sleeving (right-side in photo) is even with copper cable nut end.
 2. Run sleeved trigger leads (red and white) parallel to gun centerline and next to accessory leads sleeving. Rear end of sleeving (right-side in photo) is even with copper cable nut end.
 3. Remove slack in both pairs of control leads here.
 4. Secure both sleeved groups to the copper cable cone with a cable tie. Do not attach any unsleeved leads here.
 5. Route trigger leads in a loop over and then underneath the gun tube.
 6. Trigger leads emerge from under the gun tube, pass thru lead slot in gun handle, and then connect to the trigger. Either lead may be connected to either trigger pin (non-polarized connections).
 7. Route accessory leads under and then over the gun tube. Secure free ends of both leads to the gun tube with a cable tie. When reassembling the gun, be careful not to pinch any leads between gun handle halves.

FIGURE D.1



SEE STEPS 1 THRU 7

MAGNUM™ PRO 350 and 550 FUME GUNS

GUN TUBE REPLACEMENT

- Replace if worn from use; for example, if gas diffuser threads are deforming.
1. Remove consumables per this section, **Gas Diffuser Replacement**.
 2. Remove swivel assembly at rear of handle (ccw, right-hand threads), remove fume tube's locking collar from handle, and remove left side of handle.
 3. Use snap ring pliers to remove both spiders from the old gun tube. Use hammer and drift to remove the gun tube lock from the old gun tube.
 4. Obtain a new replacement gun tube.
 5. Install spiders and gun tube lock onto the new gun tube.
 6. Install new gun tube to the gun end of the gun cable. Tighten gun tube to gun cable with 10 to 12 ft.-lbs. of torque.
 7. Reassemble gun. Route the control leads inside of gun handle per this section, **Trigger and Accessory Switch Lead Routing**. Be careful not to pinch any leads between gun handle halves.

TRIGGER ASSEMBLY REPLACEMENT

- There are no serviceable or maintainable parts inside of the trigger.
1. Remove swivel assembly at rear of handle (counter clockwise, right-hand threads), remove fume tube's locking collar from handle, and remove left side of handle.
 2. Slide trigger out of right handle half. Disconnect red and white leads from trigger. Use care to prevent damage to electrical leads and the terminals.
 3. Connect red and white leads to the new trigger. Either lead may be connected to either trigger pin (non-polarized connections).
 4. Slide new trigger into place and reassemble the gun. Be careful not to pinch any leads between gun handle halves.

GUN CABLE ASSEMBLY REPLACEMENT

- In general, the 350 and 550 gun cables have no serviceable or maintainable parts. Here are the only types of cable service that may be performed without removing or replacing an entire gun cable:
 - Replace both "o-rings" on the gun's power and gas connector (see Table A.1, Installation Section).
 - Repair the gun's four #19 AWG control leads by splicing and soldering them back together, and then reinsulating them with heat-shrink tubing. See Figure A.3 Installation Section and **Trigger Assembly Replacement** for a description of the connections.
 - Otherwise, a damaged gun cable should be replaced as follows:
 1. Remove liner assembly per this section **Liner Assembly Cleaning or Replacement**.
 2. Remove gun tube assembly per this section **Gun Tube Replacement**. Do not remove spiders or gun tube lock.
 3. Disconnect gun cable's red and white control leads from trigger assembly.
 4. Disconnect gun cable's blue and black control leads from optional accessory switch (if so equipped).
 5. Disassemble the Y connector halves as follows. See Figure A.2 and A.4 Installation Section as a guide:
 - Disconnect the gun's Y connector from the vacuum source.
 - Use the Oetiker tool to remove the gun's clamp from its vacuum hose.
 - Slide the clamp and hose off of the Y connector's inlet.
 - Remove the 2 screws from the Y connector's modular trigger terminal housing.
 - Remove the 3 screws from the Y connector.
 - Separate the Y connector halves.
 - Remove the modular trigger terminal housing halves and separate them.

6. Remove the two trigger terminals from the modular trigger terminal housing.
7. Remove the incoming connector assembly (see Item 8 Figure A.4, Installation Section) from the gun cable.
8. Remove the damaged gun cable by sliding it rearward from the vacuum hose.
9. Install the new gun cable by sliding it forward through the vacuum hose.
10. Reassemble gun by reversing steps 1 through 7, noting the following:
 - Route trigger leads per this section **Trigger and Accessory Switch Lead Routings (see figure D.1)**.
 - Installation torques for both the incoming connector and gun tube assemblies: 10 to 12 ft.-lbs..
 - The order of connection of the trigger terminals (red and white leads) to the trigger assembly or in the Y connector is unimportant (non-polarized connections).
 - Reassemble the Y connector by reversing steps shown in 5.
 - Install a new liner if it does not meet the cut dimensional range given per this section **Liner Assembly Cleaning or Replacement**.

HOW TO USE TROUBLESHOOTING GUIDE

WARNING

Service and Repair should only be performed by Lincoln Electric Factory Trained Personnel. Unauthorized repairs performed on this equipment may result in danger to the technician and machine operator and will invalidate your factory warranty. For your safety and to avoid Electrical Shock, please observe all safety notes and precautions detailed throughout this manual.

This Troubleshooting Guide is provided to help you locate and repair possible machine malfunctions. Simply follow the three-step procedure listed below.

Step 1. LOCATE PROBLEM (SYMPTOM).

Look under the column labeled “PROBLEM (SYMPTOMS)”. This column describes possible symptoms that the machine may exhibit. Find the listing that best describes the symptom that the machine is exhibiting.

Step 2. POSSIBLE CAUSE.

The second column labeled “POSSIBLE CAUSE” lists the obvious external possibilities that may contribute to the machine symptom.

Step 3. RECOMMENDED COURSE OF ACTION

This column provides a course of action for the Possible Cause, generally it states to contact your local Lincoln Authorized Field Service Facility.

If you do not understand or are unable to perform the Recommended Course of Action safely, contact your local Lincoln Authorized Field Service Facility.

CAUTION

If for any reason you do not understand the test procedures or are unable to perform the tests/repairs safely, contact your **Local Lincoln Authorized Field Service Facility** for technical troubleshooting assistance before you proceed.

Observe all Safety Guidelines detailed throughout this manual

PROBLEMS (SYMPTOMS)	POSSIBLE CAUSE	RECOMMENDED COURSE OF ACTION
PROBLEMS		
No wire feed occurs when trigger is pulled	<ol style="list-style-type: none"> 1. Machine is switched off or unplugged. 2. Out of wire. 3. Contact tip burnback. 4. Fully or partially blocked gun liner 5. Bird nest. 6. Defective trigger (contacts open or dirty). 7. Defective trigger circuit in gun. 8. No motor voltage or current from machine. 9. Contact tip size too small for wire diameter used. 	<ol style="list-style-type: none"> 1. Switch on or plug in machine. 2. Install full spool of specified wire. 3. Replace contact tip. 4. Remove and clean or replace gun liner, (See Maintenance Section). 5. Cut out bird nest, reload wire, and check for proper wire alignment. 6. Replace trigger (See Maintenance Section) 7. Disconnect gun from machine and check trigger circuit for continuity. 8. See Troubleshooting section in welding machine's or wire feeder's instruction manual. 9. Replace contact tip with one that is the correct size.
Sluggish wire feed when trigger is pulled	<ol style="list-style-type: none"> 1. Drive roll is worn or galled. 2. Machine's wire feed speed setting is too low. 3. Wire is obstructed somewhere along the wire feed path in the gun. 4. Low motor voltage. 	<ol style="list-style-type: none"> 1. Clean drive roll or replace drive roll. 2. Increase wire feed speed. 3. Check for obstructions: remove any wire shavings; remove kinked wire; remove and clean or replace gun tube liner (See Maintenance Section). 4. See Troubleshooting section in welding machine's instruction manual.

 **CAUTION**

If for any reason you do not understand the test procedures or are unable to perform the tests/repairs safely, contact your **Local Lincoln Authorized Field Service Facility** for technical troubleshooting assistance before you proceed.

MAGNUM™ PRO 350 and 550 FUME GUNS



Observe all Safety Guidelines detailed throughout this manual

PROBLEMS (SYMPTOMS)	POSSIBLE CAUSE	RECOMMENDED COURSE OF ACTION
PROBLEMS		
Intermittent wire feed when trigger is pulled.	<ol style="list-style-type: none"> 1. Drive roll has become galled. 2. Wire has become kinked along its feed path. 	<ol style="list-style-type: none"> 1. Remove and then clean or replace drive roll. (See Maintenance Section) 2. Manually pull wire slowly thru gun until unkinked wire emerges.
Poor fume extraction.	<ol style="list-style-type: none"> 1. Fume powder deposits are blocking off gun passages at the fume collection nozzle or fume tube. 2. Excessive air currents. 3. Gun has excessive air leaks. 4. Trigger and accessory switch leads are blocking fume air flow. 5. Fume extraction equipment is switched off. 6. Fume extraction equipment is non-functional. 7. Fume extraction equipment has blocked filters. 8. Lincoln Miniflex extractor is set to low speed. 9. Vacuum hose is partially or completely flattened or blocked. 10. Vacuum hose is punctured or torn. 	<ol style="list-style-type: none"> 1. Remove the powdered deposits. 2. Block off air drafts. 3. Check for loose hose clamps or detached hoses. 4. Reroute leads (See Maintenance Section). 5. Switch on or plug in extraction equipment. 6. See Troubleshooting section in extractor's instruction manual. 7. Clean or replace filters per equipment instructions. 8. Set to high speed. 9. Attempt to straighten out hose or remove blockage; otherwise replace hose. 10. Punctures: Patch hose with tape Tears: Replace hose.
Frequent occurrence of contact tip burn-back.	<ol style="list-style-type: none"> 1. Improper welding parameters or technique (example: ESO is too short). 2. Wire may be feeding intermittently. 	<ol style="list-style-type: none"> 1. See welding wire literature for proper settings 2. See symptoms on intermittent or sluggish wire feed

 **CAUTION**

If for any reason you do not understand the test procedures or are unable to perform the tests/repairs safely, contact your **Local Lincoln Authorized Field Service Facility** for technical troubleshooting assistance before you proceed.

MAGNUM™ PRO 350 and 550 FUME GUNS



Observe all Safety Guidelines detailed throughout this manual

PROBLEMS (SYMPTOMS)	POSSIBLE AREAS OF MISADJUSTMENTS	RECOMMENDED COURSE OF ACTION
PROBLEMS		
Frequent occurrence of contact tip burnback.	<ol style="list-style-type: none"> 1. Improper welding parameters or technique (example: ESO is too short). 2. Wire may be feeding intermittently. 	<ol style="list-style-type: none"> 1. See welding wire literature for proper settings 2. See symptoms on intermittent or sluggish wire feed
Poor weld bead appearance (porosity or dull gray oxidized surface).	<ol style="list-style-type: none"> 1. No gas flow. 2. Low gas flow. 3. Improper or contaminated shielding gas. 4. Welding in a windy environment. 5. Improper electrode polarity. 6. Improper welding parameters or technique 	<ol style="list-style-type: none"> 1. See symptom "Low or no gas flow". 2. See symptom "Low or no gas flow". 3. Check that the gas supply's labeling reads 100% argon. Temporarily use alternate, known gas supply and check for appearance improvement. 4. Erect a wind shield or move to a non-windy location before welding 5. Reconnect machine's welding output to proper electrode polarity 6. See welding wire literature for proper settings

 **CAUTION**

If for any reason you do not understand the test procedures or are unable to perform the tests/repairs safely, contact your **Local Lincoln Authorized Field Service Facility** for technical troubleshooting assistance before you proceed.

MAGNUM™ PRO 350 and 550 FUME GUNS



Observe all Safety Guidelines detailed throughout this manual

PROBLEMS (SYMPTOMS)	POSSIBLE CAUSE	RECOMMENDED COURSE OF ACTION
PROBLEMS		
Low or no shielding gas flow.	<ol style="list-style-type: none"> 1. Out of gas. 2. Gas supply is turned off or disconnected. 3. Gas supply flow regulator is improperly set. 4. Machine's gas solenoid valve has malfunctioned. 5. Blockage in gun along gas path. 6. Gun cable kinked or flattened. 7. Blockage due to excessive spatter accumulation on gas cone or gas diffuser. 8. Excessive gas leakage from supply. 10. Gas leakage at gun-to-feeder connection. 	<ol style="list-style-type: none"> 1. Check that an adequate gas supply is available. 2. Check that all gas supply valves are open. 3. Check that gas flow is set between 50 to 70 SCFH. 4. See machine's instruction manual. 5. Gently blow out debris from core tube. 6. Attempt to straighten out cable, or replace cable. 7. Clean or replace gas cone or gas diffuser. 8. Find and repair all leaks. 10. Damaged o-rings: replace both seals. Gun connector not fully inserted into machine. (See Maintenance Section).
Wire feeder runs or begins feeding wire without pulling the gun trigger.	<ol style="list-style-type: none"> 1. Defective trigger, (contacts closed or dirty). 2. Defective (closed) trigger circuit in the welding machine. 3. Trigger lead(s) inside gun cable are shorted together or commonly shorted to either welding or accessory switch circuits 	<ol style="list-style-type: none"> 1. Replace trigger. (See Maintenance Section). 2. See machine's instruction manual 3. Damaged control leads along cable; repair if possible. Otherwise, replace gun cable.

 **CAUTION**

If for any reason you do not understand the test procedures or are unable to perform the tests/repairs safely, contact your **Local Lincoln Authorized Field Service Facility** for technical troubleshooting assistance before you proceed.

MAGNUM™ PRO 350 and 550 FUME GUNS



NOTES

MAGNUM™ PRO 350 and 550 FUME GUNS



NOTES

MAGNUM™ PRO 350 and 550 FUME GUNS



			
WARNING	<ul style="list-style-type: none"> ● Do not touch electrically live parts or electrode with skin or wet clothing. ● Insulate yourself from work and ground. 	<ul style="list-style-type: none"> ● Keep flammable materials away. 	<ul style="list-style-type: none"> ● Wear eye, ear and body protection.
Spanish AVISO DE PRECAUCION	<ul style="list-style-type: none"> ● No toque las partes o los electrodos bajo carga con la piel o ropa mojada. ● Aislese del trabajo y de la tierra. 	<ul style="list-style-type: none"> ● Mantenga el material combustible fuera del área de trabajo. 	<ul style="list-style-type: none"> ● Protéjase los ojos, los oídos y el cuerpo.
French ATTENTION	<ul style="list-style-type: none"> ● Ne laissez ni la peau ni des vêtements mouillés entrer en contact avec des pièces sous tension. ● Isolez-vous du travail et de la terre. 	<ul style="list-style-type: none"> ● Gardez à l'écart de tout matériel inflammable. 	<ul style="list-style-type: none"> ● Protégez vos yeux, vos oreilles et votre corps.
German WARNUNG	<ul style="list-style-type: none"> ● Berühren Sie keine stromführenden Teile oder Elektroden mit Ihrem Körper oder feuchter Kleidung! ● Isolieren Sie sich von den Elektroden und dem Erdboden! 	<ul style="list-style-type: none"> ● Entfernen Sie brennbares Material! 	<ul style="list-style-type: none"> ● Tragen Sie Augen-, Ohren- und Körperschutz!
Portuguese ATENÇÃO	<ul style="list-style-type: none"> ● Não toque partes elétricas e electrodos com a pele ou roupa molhada. ● Isole-se da peça e terra. 	<ul style="list-style-type: none"> ● Mantenha inflamáveis bem guardados. 	<ul style="list-style-type: none"> ● Use proteção para a vista, ouvido e corpo.
Japanese 注意事項	<ul style="list-style-type: none"> ● 通電中の電気部品、又は溶材にヒフやぬれた布で触れないこと。 ● 施工物やアースから身体が絶縁されている様にして下さい。 	<ul style="list-style-type: none"> ● 燃えやすいものの側での溶接作業は絶対にしてはなりません。 	<ul style="list-style-type: none"> ● 目、耳及び身体に保護具をして下さい。
Chinese 警告	<ul style="list-style-type: none"> ● 皮肤或湿衣物切勿接触带电部件及焊缝。 ● 使你自已与地面和工件绝缘。 	<ul style="list-style-type: none"> ● 把一切易燃物品移离工作场所。 	<ul style="list-style-type: none"> ● 佩戴眼、耳及身体劳动保护用具。
Korean 위험	<ul style="list-style-type: none"> ● 전도체나 용접봉을 젖은 항갑 또는 피부로 절대 접촉치 마십시오. ● 모재와 접지를 접촉치 마십시오. 	<ul style="list-style-type: none"> ● 인화성 물질을 접근 시키지 마십시오. 	<ul style="list-style-type: none"> ● 눈, 귀와 몸에 보호장구를 착용하십시오.
Arabic تحذير	<ul style="list-style-type: none"> ● لا تلمس الأجزاء التي يسري فيها التيار الكهربائي أو الألكترود بجلد الجسم أو بالملايس المبللة بالماء. ● ضع عازلا على جسمك خلال العمل. 	<ul style="list-style-type: none"> ● ضع المواد القابلة للاشتعال في مكان بعيد. 	<ul style="list-style-type: none"> ● ضع أدوات وملابس واقية على عينيك وأذنيك وجسمك.

READ AND UNDERSTAND THE MANUFACTURER'S INSTRUCTION FOR THIS EQUIPMENT AND THE CONSUMABLES TO BE USED AND FOLLOW YOUR EMPLOYER'S SAFETY PRACTICES.

SE RECOMIENDA LEER Y ENTENDER LAS INSTRUCCIONES DEL FABRICANTE PARA EL USO DE ESTE EQUIPO Y LOS CONSUMIBLES QUE VA A UTILIZAR, SIGA LAS MEDIDAS DE SEGURIDAD DE SU SUPERVISOR.

LISEZ ET COMPRENEZ LES INSTRUCTIONS DU FABRICANT EN CE QUI REGARDE CET EQUIPMENT ET LES PRODUITS A ETRE EMPLOYES ET SUIVEZ LES PROCEDURES DE SECURITE DE VOTRE EMPLOYEUR.

LESEN SIE UND BEFOLGEN SIE DIE BETRIEBSANLEITUNG DER ANLAGE UND DEN ELEKTRODENEINSATZ DES HERSTELLERS. DIE UNFALLVERHÜTUNGSVORSCHRIFTEN DES ARBEITGEBERS SIND EBENFALLS ZU BEACHTEN.

			
<ul style="list-style-type: none"> ● Keep your head out of fumes. ● Use ventilation or exhaust to remove fumes from breathing zone. 	<ul style="list-style-type: none"> ● Turn power off before servicing. 	<ul style="list-style-type: none"> ● Do not operate with panel open or guards off. 	WARNING
<ul style="list-style-type: none"> ● Los humos fuera de la zona de respiración. ● Mantenga la cabeza fuera de los humos. Utilice ventilación o aspiración para gases. 	<ul style="list-style-type: none"> ● Desconectar el cable de alimentación de poder de la máquina antes de iniciar cualquier servicio. 	<ul style="list-style-type: none"> ● No operar con panel abierto o guardas quitadas. 	Spanish AVISO DE PRECAUCION
<ul style="list-style-type: none"> ● Gardez la tête à l'écart des fumées. ● Utilisez un ventilateur ou un aspirateur pour ôter les fumées des zones de travail. 	<ul style="list-style-type: none"> ● Débranchez le courant avant l'entretien. 	<ul style="list-style-type: none"> ● N'opérez pas avec les panneaux ouverts ou avec les dispositifs de protection enlevés. 	French ATTENTION
<ul style="list-style-type: none"> ● Vermeiden Sie das Einatmen von Schweißrauch! ● Sorgen Sie für gute Be- und Entlüftung des Arbeitsplatzes! 	<ul style="list-style-type: none"> ● Strom vor Wartungsarbeiten abschalten! (Netzstrom völlig öffnen; Maschine anhalten!) 	<ul style="list-style-type: none"> ● Anlage nie ohne Schutzgehäuse oder Innenschutzverkleidung in Betrieb setzen! 	German WARNUNG
<ul style="list-style-type: none"> ● Mantenha seu rosto da fumaça. ● Use ventilação e exaustão para remover fumo da zona respiratória. 	<ul style="list-style-type: none"> ● Não opere com as tampas removidas. ● Desligue a corrente antes de fazer serviço. ● Não toque as partes elétricas nuas. 	<ul style="list-style-type: none"> ● Mantenha-se afastado das partes moventes. ● Não opere com os painéis abertos ou guardas removidas. 	Portuguese ATENÇÃO
<ul style="list-style-type: none"> ● ヒュームから頭を離すようにして下さい。 ● 換気や排煙に十分留意して下さい。 	<ul style="list-style-type: none"> ● メンテナンス・サービスに取りかかる際には、まず電源スイッチを必ず切って下さい。 	<ul style="list-style-type: none"> ● パネルやカバーを取り外したまま機械操作をしないで下さい。 	Japanese 注意事項
<ul style="list-style-type: none"> ● 頭部遠離煙霧。 ● 在呼吸區使用通風或排風器除煙。 	<ul style="list-style-type: none"> ● 維修前切斷電源。 	<ul style="list-style-type: none"> ● 儀表板打開或沒有安全罩時不準作業。 	Chinese 警告
<ul style="list-style-type: none"> ● 얼굴로부터 용접가스를 멀리하십시오. ● 호흡지역으로부터 용접가스를 제거하기 위해 가스제거기나 통풍기를 사용하십시오. 	<ul style="list-style-type: none"> ● 보수전에 전원을 차단하십시오. 	<ul style="list-style-type: none"> ● 관널이 열린 상태로 작동치 마십시오. 	Korean 위험
<ul style="list-style-type: none"> ● ابعء رأسك بعيداً عن الدخان. ● استعمل التهوية أو جهاز ضغط الدخان للخارج لكي تبعد الدخان عن المنطقة التي تتنفس فيها. 	<ul style="list-style-type: none"> ● اقطع التيار الكهربائي قبل القيام بأية صيانة. 	<ul style="list-style-type: none"> ● لا تشغيل هذا الجهاز اذا كانت الاغطية الحديدية الواقية ليست عليه. 	Arabic تحذير

LEIA E COMPREENDA AS INSTRUÇÕES DO FABRICANTE PARA ESTE EQUIPAMENTO E AS PARTES DE USO, E SIGA AS PRÁTICAS DE SEGURANÇA DO EMPREGADOR.

使う機械や溶材のメーカーの指示書をよく読み、まず理解して下さい。そして貴社の安全規定に従って下さい。

請詳細閱讀並理解製造廠提供的說明以及應該使用的銀捍材料，並請遵守貴方的有關勞動保護規定。

이 제품에 동봉된 작업지침서를 숙지하시고 귀사의 작업자 안전수칙을 준수하시기 바랍니다.

اقرأ بتمعن وافهم تعليمات المصنع المنتج لهذه المعدات والمواد قبل استعمالها واتبع تعليمات الوقاية لصاحب العمل.



• World's Leader in Welding and Cutting Products •

• Sales and Service through Subsidiaries and Distributors Worldwide •

Cleveland, Ohio 44117-1199 U.S.A. TEL: 216.481.8100 FAX: 216.486.1751 WEB SITE: www.lincolnelectric.com