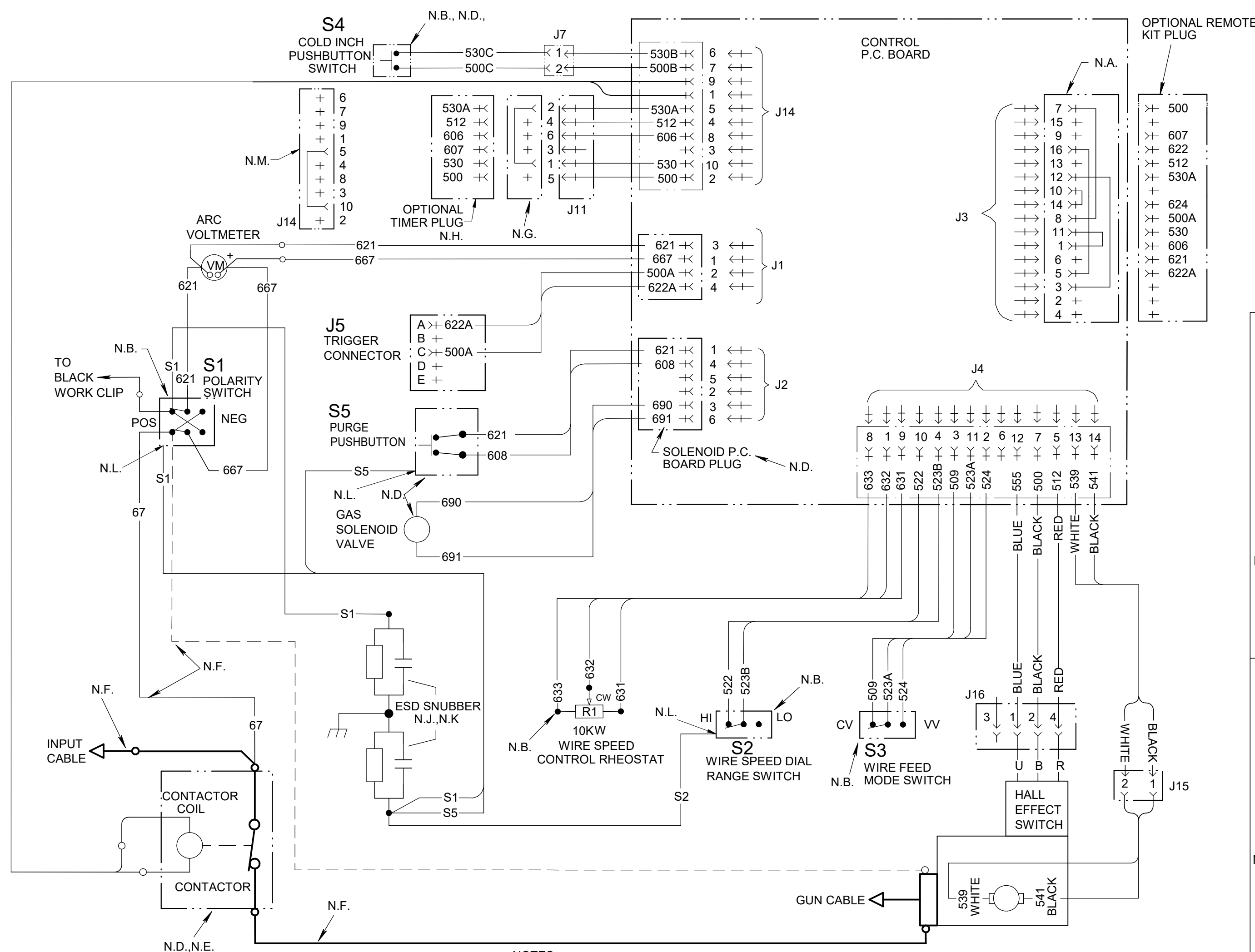
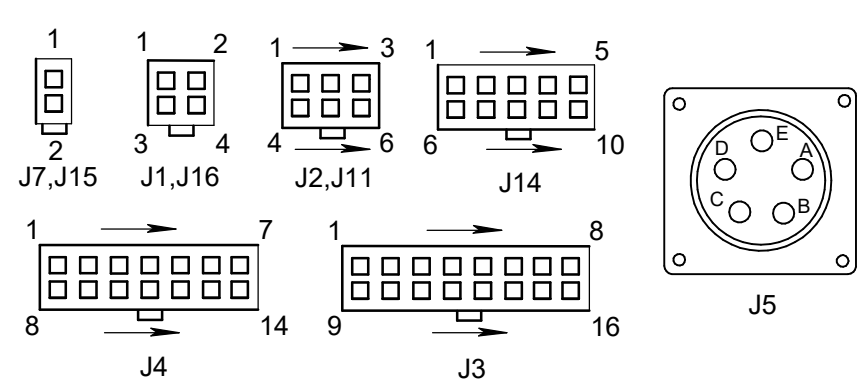


# LN-25 WIRING DIAGRAM G4679 REV: B

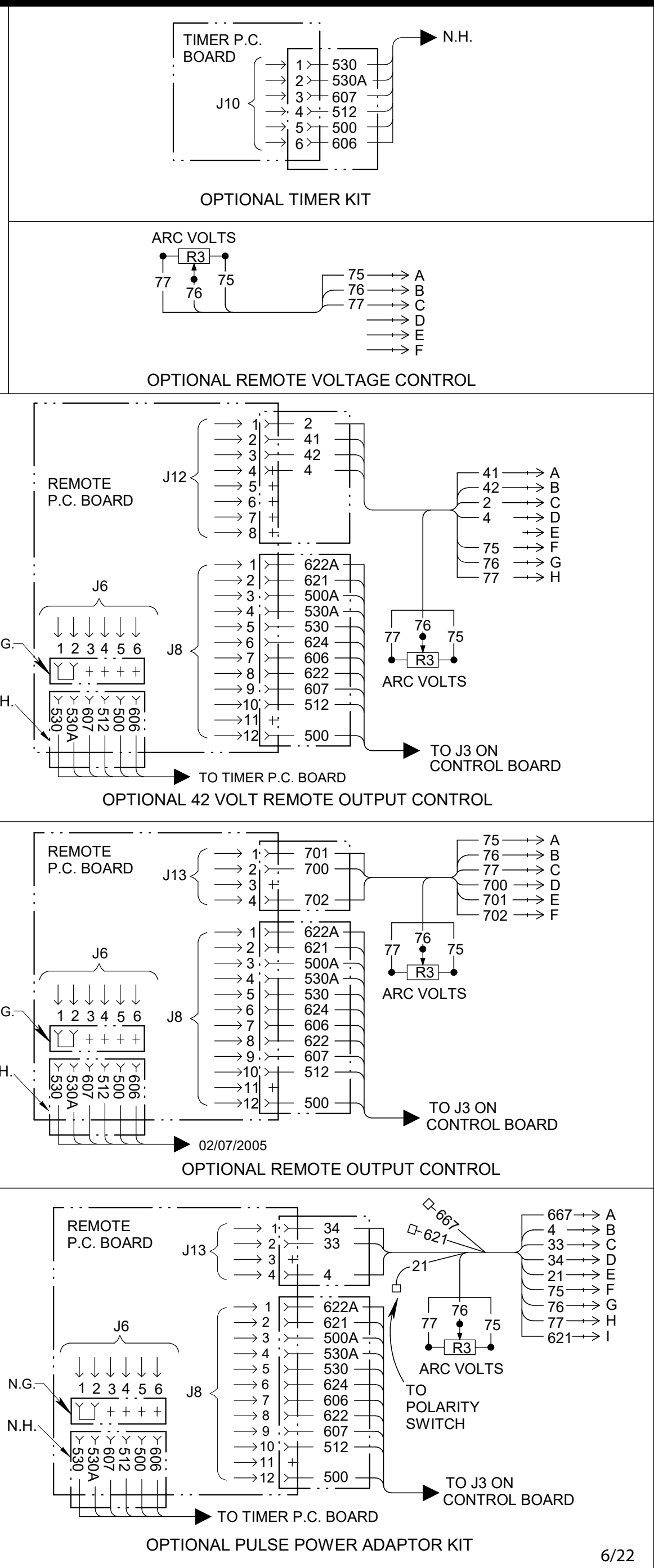


### NOTES

- N.A. JUMPER PLUG MUST BE INSTALLED IF REMOTE KIT IS NOT PRESENT.
- N.B. CONNECTIONS AS VIEWED FROM BACK OF RHEOSTAT AND SWITCHES.
- N.D. ITEM FACTORY INSTALLED ON SOME MODELS AND OPTIONAL EQUIPMENT ON SOME MODELS.
- N.E. CONTACTOR CAN BE INSTALLED IN UNITS WITH AN L12253-1 CONTROL PC BOARD.
- N.F. WHEN A CONTACTOR IS NOT USED, THE '67' LEAD TO THE POLARITY SWITCH COMES FROM THE CONDUCTOR BLOCK AND THE INPUT CABLE CONNECTS DIRECTLY TO THE CONDUCTOR BLOCK.
- N.G. IF TIMER KIT IS NOT INSTALLED:
  - ON UNITS WITHOUT REMOTE PC BOARD, JUMPER MUST BE INSTALLED IN J11.
  - ON UNITS WITH REMOTE PC BOARD, JUMPER MUST BE INSTALLED IN J6 OF REMOTE PC BOARD.
- N.H. TIMER KIT HARNESS INSTALLATION:
  - ON UNITS WITH REMOTE PC BOARD, TIMER HARNESS MUST PLUG INTO J6 OF REMOTE PC BOARD.
  - ON UNITS WITHOUT REMOTE PC BOARD, TIMER HARNESS MUST PLUG INTO J11.
- N.J. PROVIDES AN ESD PATHWAY FROM EXPOSED METAL SURFACES TO WORK.
- N.K. PRESENT ON EUROPEAN MODELS ONLY.
- N.L. CONNECTS TO BUSHING OF COMPONENT.
- N.M. J14 JUMPER PLUG USED ON K428 ONLY.



ELECTRICAL SYMBOLS PER E1537  
CONNECTORS VIEWED FROM INSERTION END



CLEVELAND, OHIO U.S.A.