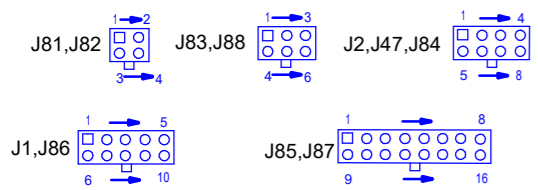


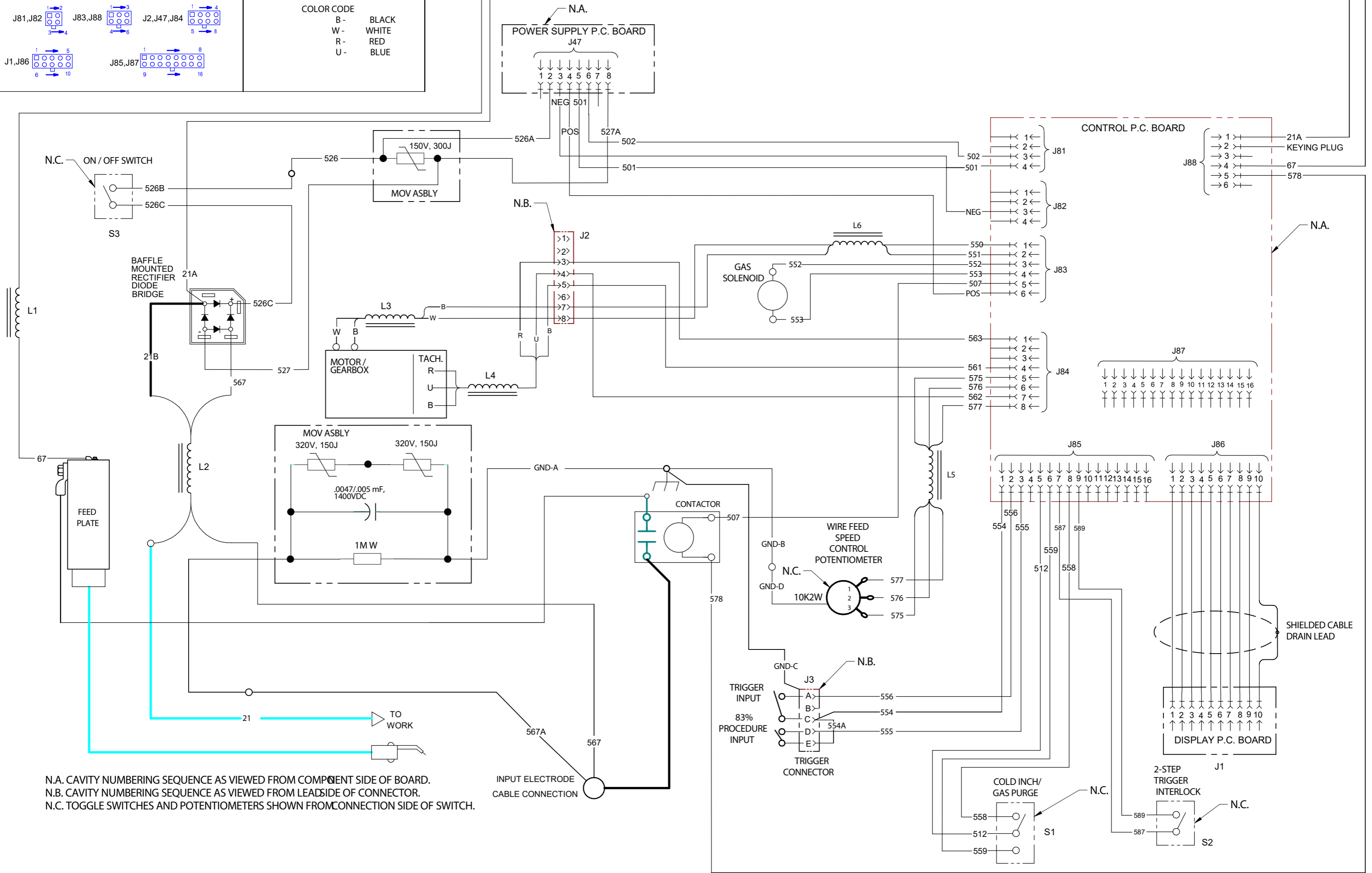
LN-15 (ACROSS THE ARC) WIRING DIAGRAM L11436-1 REV: B

CAVITY NUMBERING SEQUENCE (COMPONENT SIDE OF P.C. BOARD)



GENERAL INFORMATION

COLOR CODE	
B -	BLACK
W -	WHITE
R -	RED
U -	BLUE



N.A. CAVITY NUMBERING SEQUENCE AS VIEWED FROM COMPONENT SIDE OF BOARD.
 N.B. CAVITY NUMBERING SEQUENCE AS VIEWED FROM LEADSIDE OF CONNECTOR.
 N.C. TOGGLE SWITCHES AND POTENTIOMETERS SHOWN FROM CONNECTION SIDE OF SWITCH.



CLEVELAND, OHIO U.S.A.