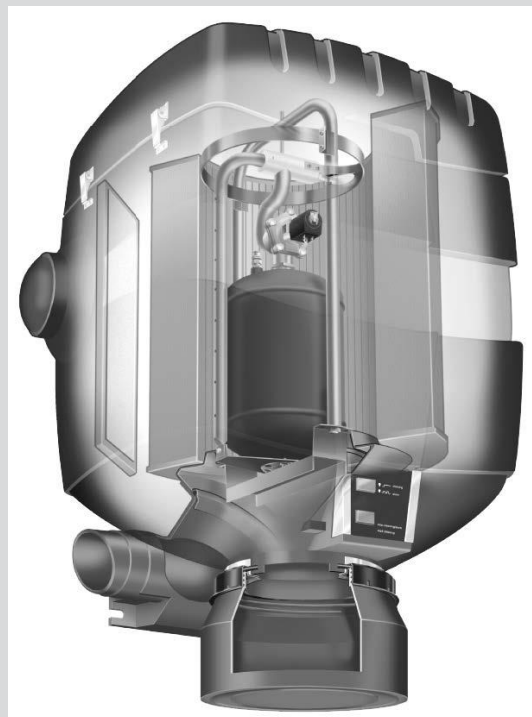


- EN** Self-cleaning stationary welding fume filter
- NL** Zelfreinigend stationair lasrookfilter
- DE** Selbstreinigender stationärer Schweißrauchfilter
- FR** Filtre autonettoyant stationnaire des fumées de soudure

STATIFLEX 400-MS

- EN** User manual
- NL** Gebruikershandleiding
- DE** Betriebsanleitung
- FR** Manuel opérateur



REVISION : A
DATE : 06/2022

Ref : 86958576

Notice Originale

EN – ORIGINAL INSTRUCTION

All rights reserved. The information given in this document has been collected for the general convenience of our clients. It has been based on general data pertaining to construction material properties and working methods known to us at the time of issue of the document and is therefore subject at any time to change or amendment and the right to change or amend is hereby expressly reserved. The instructions in this publication only serve as a guideline for installation, use, maintenance and repair of the product mentioned on the cover page of this document. This publication is to be used for the standard model of the product of the type given on the cover page. Thus the manufacturer cannot be held responsible for any damage resulting from the application of this publication to the version actually delivered to you. This publication has been written with great care. However, the manufacturer cannot be held responsible, either for any errors occurring in this publication or for their consequences.

NL – VERTALING VAN DE OORSPRONKELIJKE GEBRUIKSAANWIJZING

Alle rechten voorbehouden. De in deze handleiding verstrekte informatie is gebaseerd op algemene gegevens aangaande de ons ten tijde van verschijnen bekende constructies, materiaaleigenschappen en werkmethoden, zodat wijzingen worden voorbehouden. Om deze reden dienen de gegeven instructies slechts als richtlijn voor het installeren, gebruiken, onderhouden en repareren van het op de voorzijde van dit document vermelde product. Deze handleiding is geldig voor het product in de standaard uitvoering. De fabrikant kan derhalve niet aansprakelijk worden gesteld voor eventuele schade voortvloeiend uit de van de standaard uitvoering afwijkende specificaties van het aan u geleverde product. Deze handleiding is met alle mogelijke zorg samengesteld, maar de fabrikant kan geen verantwoording op zich nemen voor eventuele fouten in deze handleiding of voor de gevolgen daarvan.

DE – ÜBERSETZUNG DER ORIGINALBETRIEBSANLEITUNG

Alle Rechte vorbehalten. Die in dieser Anleitung enthaltenen Informationen basieren auf allgemeinen Daten bezüglich der Konstruktion, der Materialeigenschaften und der Arbeitsmethoden, die uns zur Zeit der Veröffentlichung bekannt waren; Änderungen werden somit vorbehalten. Aus diesem Grunde dienen die gegebenen Vorschriften nur als Leitfaden für das Installieren, Benutzen, Warten und Reparieren des auf der Vorderseite dieser Anleitung angegebenen Produktes. Diese Ausgabe gilt für die Standardausführung des Produktes. Der Hersteller haftet daher nicht für eventuelle Schäden, die sich aus der Anwendung dieser Ausgabe auf Ihr von der Standardausführung abweichendes Produkt ergeben. Diese Ausgabe wurde mit größter Sorgfalt zusammengestellt. Der Hersteller haftet jedoch nicht für eventuelle Fehler in dieser Ausgabe oder für daraus resultierende Folgen.

FR – TRADUCTION DE LA NOTICE ORIGINALE

Tous droits réservés. Le présent manuel a été mis au point à partir de données relatives à la construction, aux caractéristiques des matériaux et aux méthodes de production dont nous étions au courant à la parution du manuel. Le manuel est donc sujet à modification à tout moment et nous nous réservons explicitement le droit à une telle modification. Pour la même raison, ce manuel servira simplement de guide à l'installation, l'emploi, l'entretien et la réparation du produit figurant en première page de couverture de ce document. Le présent manuel s'applique au modèle standard du produit. Par conséquent, le fabricant n'est pas responsable pour les dommages éventuels découlant de l'application de ce document aux modèles non standard des produits livrés. Nous avons apporté tous nos soins à la rédaction de ce manuel, mais le fabricant ne peut pas accepter la responsabilité pour les erreurs éventuelles ni pour les dommages qui en découlent.

TABLE OF CONTENTS

| ENGLISH | Page |
|----------------------------|-------------|
| Preface | 3 |
| 1 Safety | 3 |
| 2 Technical specifications | 4 |
| 3 General description | 5 |
| 4 Installation | 6 |
| 5 Use | 7 |
| 6 Maintenance | 8 |
| 7 Troubleshooting | 9 |
| 8 Spare parts | 10 |
| 9 Disposal | 10 |
| CE declaration | 10 |

| NEDERLANDS | Pag. |
|----------------------------|-------------|
| Voorwoord | 11 |
| 1 Veiligheid | 11 |
| 2 Technische specificaties | 12 |
| 3 Algemene beschrijving | 13 |
| 4 Installatie | 14 |
| 5 Gebruik | 16 |
| 6 Onderhoud | 16 |
| 7 Verhelpen van storingen | 18 |
| 8 Reserveonderdelen | 19 |
| 9 Afdanken | 19 |
| CE verklaring | 19 |

| DEUTSCH | Seite |
|---------------------------|--------------|
| Vorwort | 20 |
| 1 Sicherheitsvorschriften | 20 |
| 2 Technische daten | 21 |
| 3 Allgemeine Beschreibung | 22 |
| 4 Installation | 23 |
| 5 Betrieb | 25 |
| 6 Wartung | 25 |
| 7 Fehlerbehebung | 27 |
| 8 Ersatzteile | 28 |
| 9 Entsorgung | 28 |
| EG Konformitätserklärung | 28 |

| FRANÇAIS | Page |
|-----------------------------|-------------|
| Avant-propos | 29 |
| 1 Instructions de sécurité | 29 |
| 2 Spécifications techniques | 30 |
| 3 Description générale | 31 |
| 4 Installation | 32 |
| 5 Utilisation | 34 |
| 6 Entretien | 35 |
| 7 Réparation des pannes | 36 |
| 8 Pièces détachées | 37 |
| 9 Mettre au rancart | 37 |
| Déclaration de Conformité | 37 |






PREFACE

Using this manual

This manual is intended to be used as a work of reference for professional, well-trained and authorised users to be able to safely install, use, maintain and repair the product mentioned on the cover of this document.

Pictograms and symbols

The following pictograms and symbols are used in this manual:

| | |
|---|---|
|  | Suggestions and recommendations to simplify carrying out tasks and actions. |
|  | CAUTION! Procedures which, if not carried out with the necessary caution, may damage the product, the workshop or the environment. |
|  | WARNING Procedures which, if not carried out with the necessary caution, may damage the product or cause serious personal injury. |
|  | WARNING Fire hazard! Never use the product for filtering inflammable, glowing or burning particles or solids or liquids. Never use the product for filtering aggressive fumes (such as hydrochloric acid) or sharp particles. |
|  | WARNING Denotes risk of electric shock. |

Service and technical support

For information about specific adjustments, maintenance or repair jobs which are not dealt with in this manual, please contact the supplier of the product. Make sure you have the following specifications at hand:

- product name
- serial number

These data can be found on the identification plate.

1 SAFETY

General

The manufacturer does not accept any liability for damage to the product or personal injury caused by non-observance of the safety instructions in this manual, or by negligence during installation, use, maintenance and repair of the product mentioned on the cover of this document and any corresponding accessories.

Specific working conditions or used accessories may require additional safety instructions. Immediately contact your supplier if you detect a potential danger when using the product.

The user of the product is always fully responsible for observing the local safety instructions and regulations. Observe all safety instructions and regulations which apply to handling welding equipment.

User manual

- Everyone working on or with the product must be familiar with the contents of this manual and must strictly observe the instructions therein. The management should instruct the personnel in accordance with the manual and observe all instructions and directions given.
- Never change the order of the steps to perform.
- Always keep the manual with the product.

Pictograms and instructions on the product (if present)

- The pictograms, warnings and instructions attached to the product are part of the safety features. They must not be covered or removed and must be present and legible during the entire life of the product.
- Immediately replace or repair damaged or illegible pictograms, warnings and instructions.

Users

The use of this product is exclusively reserved to authorised, well-trained and qualified users. Temporary personnel and personnel in training can only use the product under supervision and responsibility of skilled engineers.

Intended use¹

The product has been designed exclusively for harmful fumes and gases which are released during the most common welding processes, with the strict restriction that these fumes and gases can only be supplied through one extraction arm, while using one extraction fan (SF 2400). Using the product for other purposes is considered contrary to its intended use. The manufacturer accepts no liability for any damage or injury resulting from such use. The product has been built in accordance with state-of-the-art standards and recognised safety regulations. Only use the product in technically perfect condition in accordance with its intended use and the instructions laid down in the user manual.

Technical specifications

The specifications given in this manual must not be altered.


Safety features

- All safety features must be correctly mounted and can only be removed for maintenance and repair jobs by skilled and authorised service engineers.
- The product must not be used if the safety features are not or only partly present, or defective.
- The safety features should be regularly checked for their proper functioning, and if required, be immediately repaired.

Modifications

Modification of (parts of) the product is not allowed.

Use


| | |
|---|---|
|  | WARNING Fire hazard! Never use the product for filtering inflammable, glowing or burning particles or solids or liquids. Never use the product for filtering aggressive fumes (such as hydrochloric acid) or sharp particles. |
|---|---|

- Inspect the product and check it for damage. Verify the functioning of the safety features.
- Check the working environment. Do not allow unauthorised persons to enter the working environment.
- Use common sense. Stay alert and keep your attention to your work. Do not use the product when you are tired or under the influence of drugs, alcohol or medicine.
- Make sure the room is always sufficiently ventilated, this applies especially to confined spaces.
- Never install the product in front of entrances and exits which must be used by emergency services.
- Make sure that the workshop contains sufficient approved fire extinguishers.
- Protect the product against water and humidity.

1. "Intended use" as laid down in EN-ISO 12100 is the use for which the technical product is suited as specified by the manufacturer -inclusive of his directions in the sales brochure. In case of doubt it is the use which can be deduced from the construction, the model and the function of the technical product which is considered normal use. Operating the machine within the limits of its intended use also involves observing the instructions in the user manual.

- The self-cleaning welding fume filter functions only if the harmful fumes and particles are blown directly through an extraction fan into the filter. Therefore, never connect the Statiflex 400-MS to the suction opening of the extraction fan.
- The Statiflex 400-MS must only be connected to the recommended junction box (CB).
- The self-cleaning welding fume filter has been designed to be used in a configuration with only **one** extraction arm and **one** extraction fan (SF 2400). Never connect the Statiflex 400-MS to more than one extraction arm or extraction fan.
- Air containing particles such as chromium, nickel, beryllium, cadmium, lead, etc., which is a health hazard, should never be recycled.
- The product may be used for extracting and/or filtering fumes and gases which are released during the following welding processes:
 - MIG/MAG solid wire (GMAW);
 - MIG/MAG flux cored wire (FCAW);
 - stick welding (MMA or SMAW);
 - TIG (GTAW) welding;
 - autogeneous welding.
- Never use the product for extracting dust particles which are released when welding surfaces treated with primer.
- Never use the product for extracting and/or filtering fumes and gases which are released during the following (welding) processes:
 - arc-air gouging;
 - oil mist;
 - paint mist;
 - heavy oil mist in welding fumes;
 - hot gases (more than 40°C/104°F continuously);
 - aggressive fumes (such as acids);
 - plasma cutting;
 - grinding aluminium and magnesium;
 - flame cutting;
 - extraction of cement, saw dust, wood dust, etc.;
 - sucking cigarettes, cigars, oiled tissues and other burning particles, objects and acids;
 - in all situations where explosions can occur. (This list is not a limited list.)
- Never switch on the product without prefilter box and filter.
- Wait approximately 10 seconds after switching off the motor of the connected extraction fan before dismantling the filter.

Service, maintenance and repairs

 This manual clearly makes a distinction between service maintenance and repair jobs which have to be carried out by the user and those which have to be exclusively carried out by well-trained and authorised service engineers.

- Observe the maintenance intervals given in this manual. Overdue maintenance can lead to high costs for repairs and revisions and can render the guarantee null and void.
- Always use tools, parts, materials, lubricants and service techniques which have been approved by the manufacturer. Never use worn tools and do not leave any tools in or on the product.
- Safety features which have been removed for service, maintenance or repairs, must be put back immediately after finishing these jobs and it must be checked that they still function properly.
- Regularly clean the inside of the housing.
- Replace the filters in time.
- Empty the dust barrel in time.
- Prevent improper use of the filter cover of the Statiflex 400-MS as work bench or welding table.

2 TECHNICAL SPECIFICATIONS


2.1 Identification of the product

The identification plate contains the following data:

- serial number
- product name
- power
- supply voltage

2.2 General

| | |
|--|---|
| Net weight | 85 kg (187.4 lbs) |
| Extraction airflow rate | 1.100 m ³ /h (647 CFM) |
| Filter surface | 30 m ² (325 ft ²) |
| Filter output in accordance with DIN 24185 | EU 7-9 |
| Compressed air consumption | max. 60 nl/min. (2 SCFM) (depending on the degree of saturation of the filter) |

 The extraction airflow given applies to a SF 2400 connected Statiflex 400-MS with a clean filter and a 1 m (3.3 ft) long air duct (Ø 160 mm/6.3 in.). The combination extraction fan (SF 2400) - welding fume filter (Statiflex 400-MS) has its limitations with respect to the maximum air duct system to be connected. For this purpose first contact your supplier.

2.3 Dimensions

See Fig. 2.1.

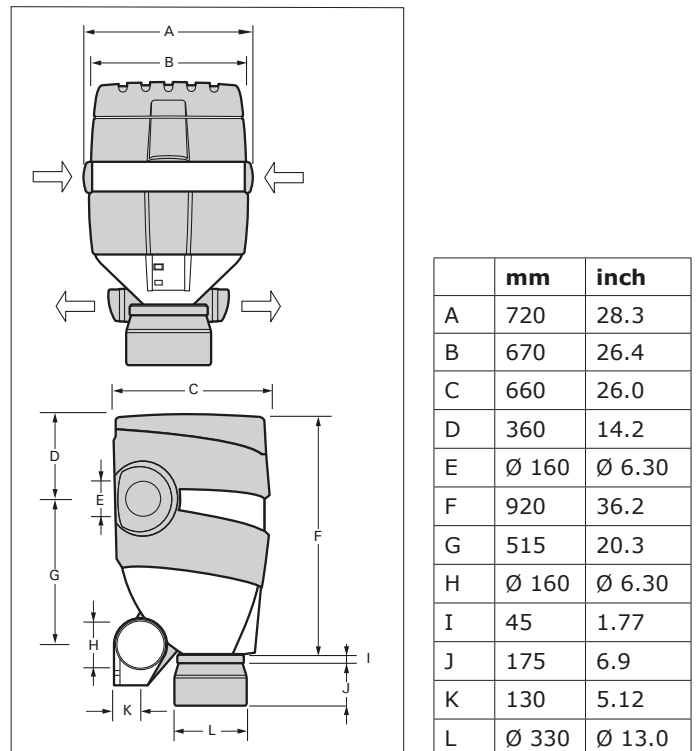


Fig. 2.1

2.4 Pressure drop

See Fig. 2.2.

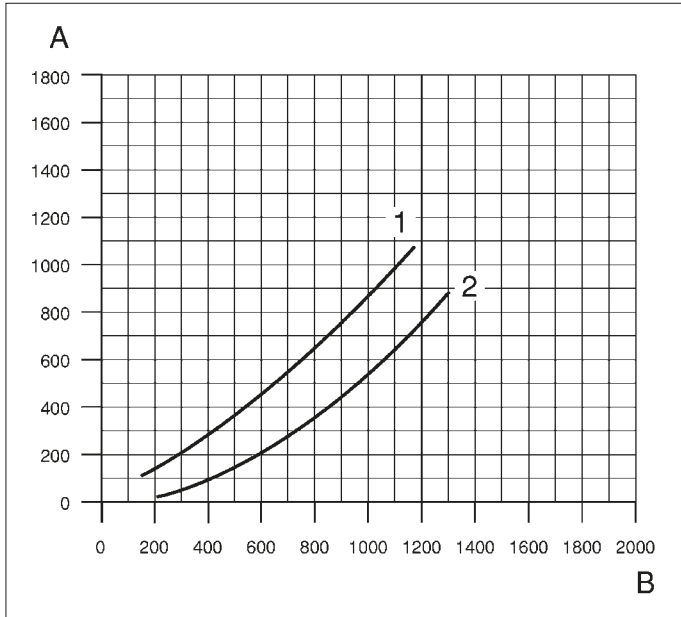


Fig. 2.2

- A Static pressure (Pa)
- B Airflow (m³/h)
- 1 Soiled filter
- 2 Clean filter

2.5 Ambient conditions

| | |
|----------------------------|--------------|
| Min. operating temperature | 5°C (41°F) |
| Max. operating temperature | 45°C (113°F) |
| Max. relative humidity | 80% |

3 GENERAL DESCRIPTION

3.1 General description

The product has been specially designed for filtering harmful fumes and gases which are released during the most common welding processes. For this purpose the Statiflex 400-MS is often integrated in configurations which contain beside the welding fume filter, an extraction arm, an extraction fan (SF 2400) and an air duct system.

The self-cleaning welding fume filter consists of the following main components (see Fig. 3.1):

Fig. 3.1:

- A filter cover
- B magnetic valve (24 VAC)
- C filter body
- D control panel
- E outlet opening (left and right)
- F dust barrel
- G prefilter box (shown separately)
- H inlet opening (left and right)
- I wall mounting bracket
- J filter
- K cleaning unit with quick air relief valve

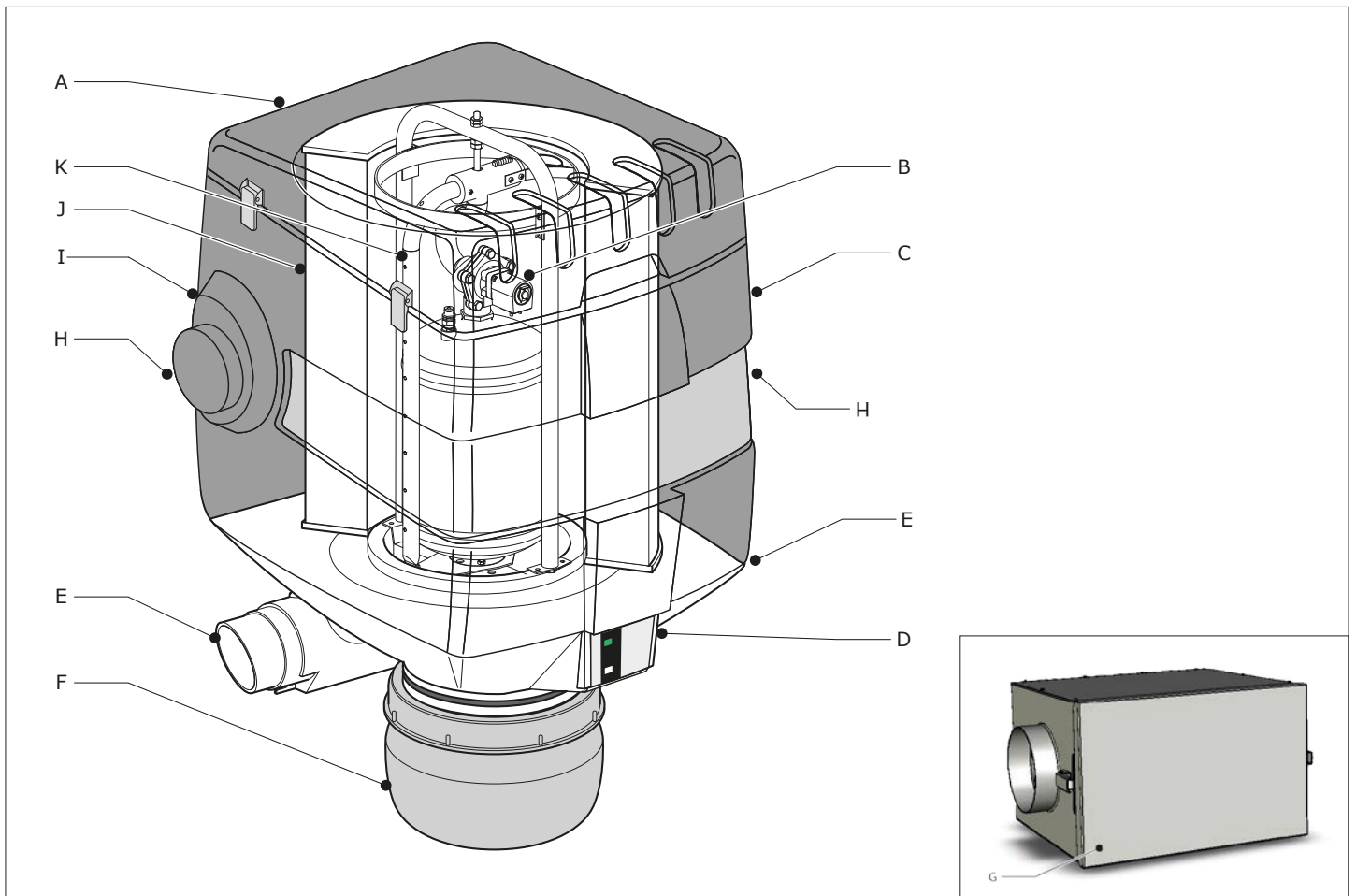


Fig. 3.1

3.2 Operation

The polluted fume is blown into the welding fume filter by an external extraction fan via a spiralo-tube or a flexible hose and via the prefilter box (see Fig. 3.1 G), where the larger particles and any sparks are separated.

Subsequently the air by the filter (Fig. 3.1 J) with a filtering surface or approximately 30 m² (325 ft²) in which almost all particles (from 0,3 µm) are caught.

Via the outlet opening(s) (Fig. 3.1 E) the clean air leaves the filter and if desired it can be returned to the workshop or discharged outside.

When the filter becomes heavily saturated - and consequently the extraction capacity strongly reduces - a pressure difference switch activates the RoboClean compressed air cleaning mechanism which thoroughly cleans the filter using sections controlled compressed air charges. The dust and dirt particles fall in a plastic dust barrel (Fig. 3.1 F) on the outside of the filter.

4 INSTALLATION

4.1 Unpacking

- Check that the product is complete. The package should contain:
 - welding fume filter (Statiflex 400-MS)
 - wall mounting bracket
 - supply cable (NCW-11)
 - cap nut (PG-7)
 - electric diagram
 - prefilter box

If parts seem to be missing or damaged, contact your supplier.

4.2 Mounting



CAUTION!

The self-cleaning welding fume filter functions only if the harmful fumes are **blown** directly through an extraction fan into the filter. Therefore, never connect the Statiflex 400-MS to the extraction fan opening of the fan. The self-cleaning welding fume filter has been designed to be used in a configuration with only **one** extraction arm and **one** extraction fan (SF 2400). Never connect the Statiflex 400-MS to more than one extraction arm or extraction fan. Only connect the Statiflex 400-MS to the CB junction box.



Mount the Statiflex 400-MS (Fig. 4.1 C) in such a way that the inlet opening (Fig. 4.1 B) is horizontally in line with the outlet opening (Fig. 4.1 D) of the extraction fan. In the standard set-up the Statiflex 400-MS is positioned to the right of the extraction fan (Fig. 4.1 A). See Fig. 4.2 for the recommended height of the wall mounting bracket. For mounting the (LMB or TMB) wall mounting brackets (Fig. 4.1 E) and the extraction fan, see the corresponding manuals.



CAUTION!

Before mounting the wall mounting bracket (Fig. 4.2 A) check that the wall is strong enough. The net weight of the Statiflex 400-MS is approx. 85 kg (187 lbs). When drilling holes note any gas, water or electricity lines. Do not position the Statiflex 400-MS where it is exposed to vibrations or heat radiation from heat source. Observe the earlier described ambient conditions.

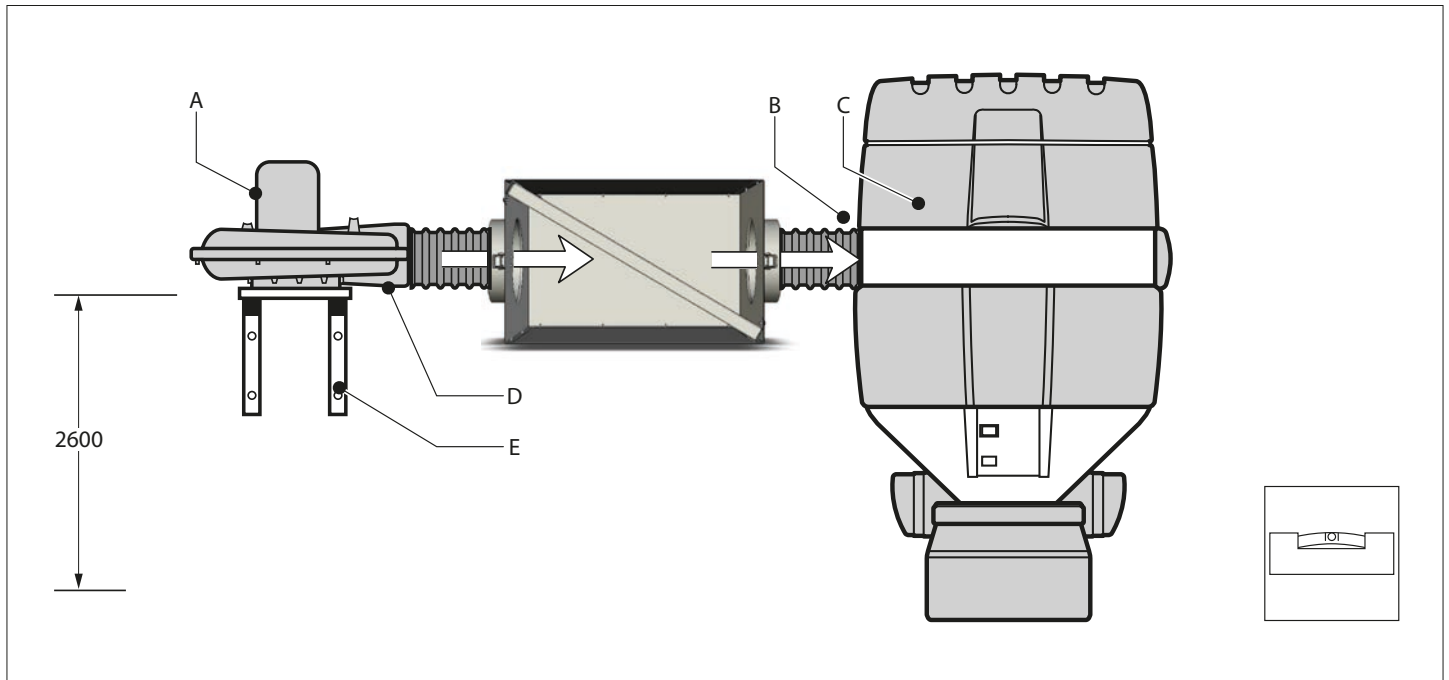


Fig. 4.1

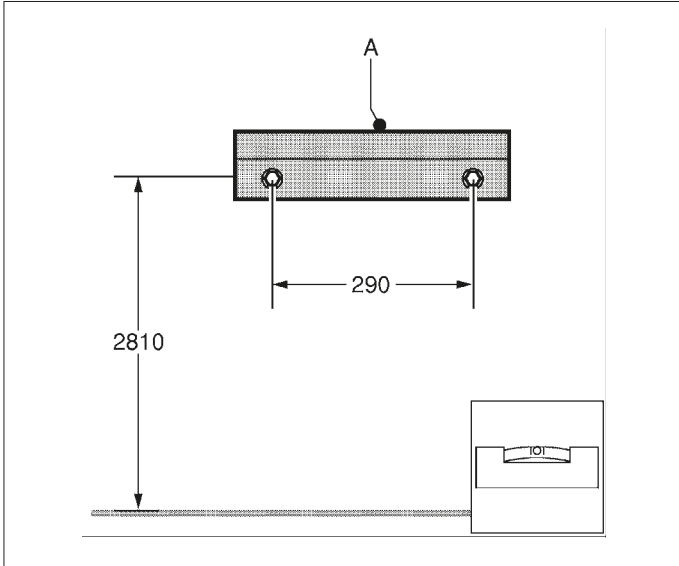


Fig. 4.2

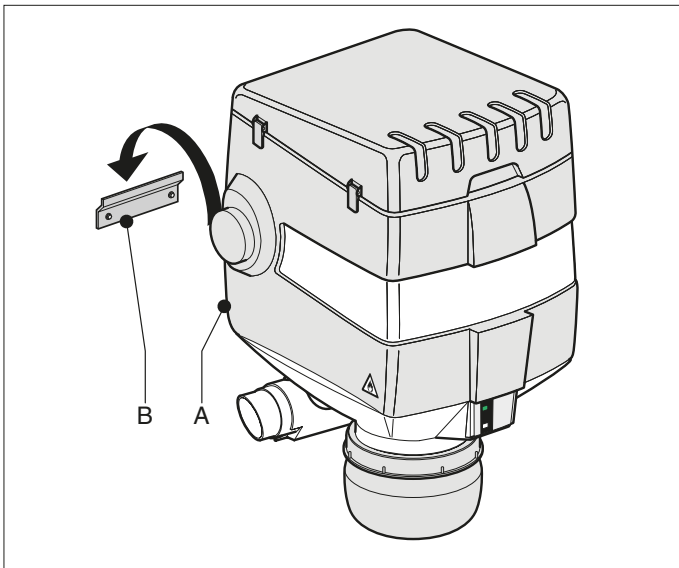


Fig. 4.3

4.2.1 Installation

- Mount the wall mounting bracket (Fig. 4.2 A). See Fig. 4.2 for the recommended height and the drilling dimensions. Note that the mounting height given only applies if the extraction arm is mounted at 2,600 mm (102.4 in.) and the Statiflex 400-MS is horizontally in line with the outlet opening of the extraction fan. Make sure there is sufficient space at the top (min. 700 mm [27.6 in.]); when replacing the filter the cover must be removed.
- Position the complete Statiflex 400-MS (Fig. 4.3 A) over the wall bracket (Fig. 4.3 B).
- Subsequently, as desired, mount on the inlet opening of the Statiflex 400-MS:
 - a spiralo-tube (Ø 160 mm [6.3 in.]), over the T-profile;
 - a CKS (flexible extraction hose [Ø 160 mm/6.3 in.] with two hose clamps).
- Saw one **or both** outlet opening(s) open (they are located in the recesses of the dust barrel) and, if necessary, connect the outlet opening(s) to an air duct system.
- Check that the complete extraction system is airtight. If it is not allowed to recycle the air, connect the outlet opening to an air duct system which leads the air to the outside.
- Finally, lock the complete unit by inserting two bolts in the slotted holes in the filter body; this is necessary.

Installation of the prefilter box

To install the prefilter box, refer to the instruction sheet.

4.2.2 Electric connection

The 24 VAC supply for the Statiflex 400-MS is obtained via the CB control box. For this purpose the supply cable (NCW-11) and the cap nut (PG-7) are also included. The cap nut must be mounted in the CB.

- Connect the NCW-11 to the three-pin connection block on the rear of the Statiflex 400-MS and on the CB (see the corresponding manual).



WARNING

Prevent damage. Note the colour code of the cable when connecting.



WARNING

Switch OFF the mains supply of the CB before connecting the NCW-11.

4.2.3 Compressed air connection

The cleaning mechanism functions on compressed air with a recommended working pressure of 400-500 kPa/4-5 bar (1600 - 2000 in. WG/60 - 75 psi). Always make sure that the working pressure is between 400-500 kPa/4-5 bar (1600 - 2000 in. WG/60 - 75 psi). Preferably the pressure should be at 450 kPa/4.5 bar (1800 in. WG/65 psi). If required, mount a pressure reducing valve to prevent the safety valve from being actuated.



WARNING

Prevent damage to the cleaning mechanism. Make sure that the compressed air is free from oil en moisture.

- Connect the compressed air hose to the cap nut (1/4" int.) on the rear of the Statiflex 400-MS.

5 USE

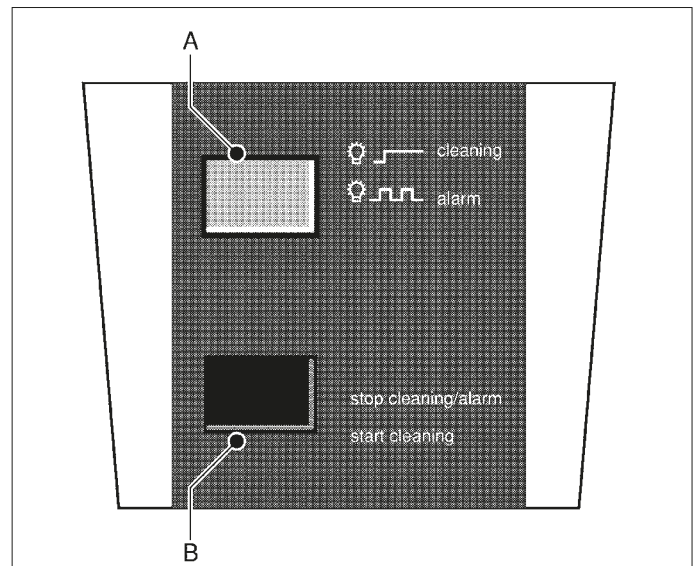


Fig. 5.1



CAUTION!

Before use carefully read the safety instructions. Determine based on the local regulations and the welding process applied whether or not materials can be recycled.

5.1 Controls

The control panel is fitted with the following controls (see Fig. 5.1):

Fig. 4.1:

- A Indicator (yellow)
The indicator lights ("CLEANING") indicating that the Statiflex 400-MS is busy performing the (self) cleaning process. The indicator blinks ("ALARM") indicating that the filter is saturated and cannot be cleaned. A blinking indicator may also indicate that the pressure is too low to clean the filter.
- B Reset/start button
Black button for manually switching the cleaning mechanism on and off ("START CLEANING" and "STOP CLEANING/ALARM").

5.2 Control

The processes below also apply in combination with WL and AST (if activated).

5.2.1 Normal operation


During normal operation (i.e. with a clean, non-saturated filter) the Statiflex 400-MS functions fully independently; the welding fumes which are released during welding activities are blown into the filter by the switched-on extraction fan. As soon as, as a result of clogging, the minimum airflow has been reached, a pressure difference switch activates the RoboClean compressed air cleaning mechanism which subsequently cleans the filter using section controlled jets of compressed air (3x). The dust and dirt particles then fall into the dust barrel. During this (self) cleaning process the indicator lights and extinguishes after cleaning. The fan keeps turning normally.

5.2.2 Saturation of the system

If the filter cannot be cleaned again, after ten by the Statiflex 400-MS itself initiated attempts, the indicator starts blinking. However, the work that is being carried out can continue as the extraction fan may continue to turn. A blinking indicator usually indicates a saturated filter. Also refer to chapter 7.

- Switch off the blinking indicator by pressing the reset/start button.
- Replace the filter and/or empty the dust barrel (see chapter 6).

5.2.3 Manual operation

| | |
|--|---|
|  | CAUTION! AVOID manual operation during the first 10 net operation hours; if this happens the filter efficiency will be reduced. |
|--|---|

Using the black reset/start button the cleaning mechanism can be manually switched on and off. When switching on ("START CLEANING") the extraction fan is/remains switched on and lights the indicator continuously during the full cleaning cycle (approx. 40-50 min. = 40 jets of compressed air).

The cleaning process can be stopped at any moment by pressing the reset/start button again ("STOP CLEANING/ALARM").



The cleaning mechanism returns to normal operation.

6 MAINTENANCE

The product has been designed to function without problems for a long time with a minimum of maintenance. In order to guarantee this, some simple, regular maintenance and cleaning activities are required which are described in this chapter. If you observe the necessary caution and carry out the maintenance at regular intervals, any problems occurring

will be detected and corrected before they lead to a total standstill.

The indicated maintenance intervals can vary depending on the specific working and ambient conditions. Therefore it is recommended to thoroughly inspect the complete product once every year beside the indicated periodic maintenance. For this purpose contact your supplier.


| | |
|---|--|
|  | WARNING Overdue maintenance can cause fire. |
|  | WARNING Always switch OFF the connected extraction fan before carrying out the activities below. First read the maintenance regulations at the beginning of this manual. |

6.1 Periodic maintenance

The maintenance activities in the table below indicated by [1] can be carried out by the user; other activities are strictly reserved for well-trained and authorised service engineers.

| Action | 1-3 months | every 3 months | every 6 months |
|---|------------------|------------------|------------------|
| Check the steel mesh filter of the prefilter box for damage, clogging and saturation. If damaged, clogged or saturated, refer to section 6.2.2. | X ^[1] | | |
| Clean the inside of the prefilter box using an industrial vacuum cleaner. | X ^[1] | | |
| Clean the outside with a mild detergent. | | | X ^[1] |
| Clean the inside using an industrial vacuum cleaner and remove the dust from the filter compartment. | | X ^[1] | |
| Check the filter for damage, clogging and saturation. | X ^[1] | | |
| Check the functioning of the cleaning mechanism via manual operation (turning, leakage). | | | X |
| Check whether the dust barrel is full. | X ^[1] | | |

6.2 Replacing the filter, the steel mesh filter of the prefilter box and/or emptying the dust barrel

| | |
|---|---|
|  | WARNING Saturated filters and/or full dust barrels often contain dust and particles which at inhalation may form a health hazard. When replacing them always wear a high-quality and approved face mask. Wrap everything in a properly closed plastic bag and dispose of it in compliance with the local regulations. |
|---|---|

6.2.1 Filter

Replace the filter:

- when damaged;
- when the extraction capacity remains insufficient;
- when the indicator keeps blinking, with the cleaning mechanism running.

You must learn from experience when to replace the filter, since the life span of the filter strongly depends on the composition of the welding fumes, the humidity, etc.

- Remove the filter cover (Fig. 6.1 A) by loosening the star knob and loosening the four clips.
- Remove the filter (Fig. 6.1 B). It is recommended to clean the filter compartment using an industrial vacuum cleaner.
- Position the new filter and mount the filter cover.

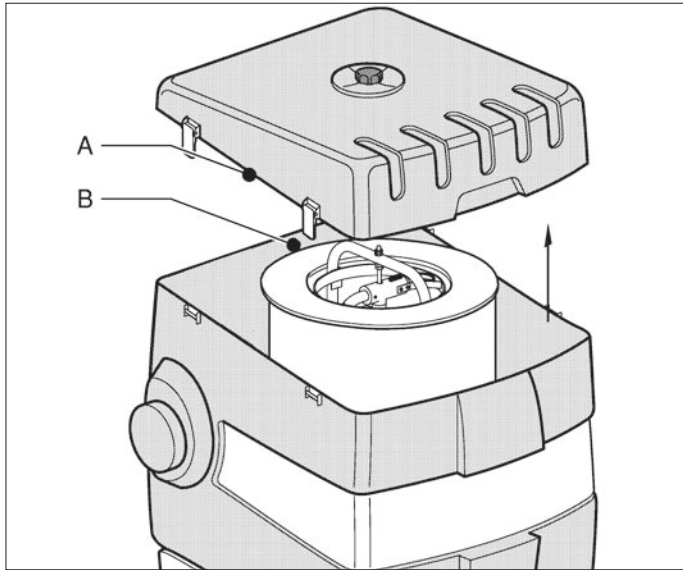


Fig. 6.1

6.2.2 Prefilter box

Replace the steel mesh filter:

- when it is clogged or saturated and cannot be cleaned using a vacuum cleaner; or
- when it has been damaged.



In case the steel mesh filter has been damaged, it is recommended to also replace the filter cartridge.

To replace the steel mesh filter, proceed as follows:

- Disconnect the extraction fan from the input power.
- Loosen the two clips and remove the filter cover.
- Remove the steel mesh filter.
- If required by federal, state and/or local regulations and guidelines, conceal prefilter in appropriate bag, e.g. plastic bag.



Spare prefilters are supplied in a plastic bag. This bag can be used to pack and dispose of the used prefilter.

- Clean the inside of the prefilter box with an industrial vacuum cleaner.
- Install a new steel mesh filter.
- Replace the filter cover and fasten the two clips.

6.2.3 Dust barrel

Empty the dust barrel (Fig. 6.2):

- when full;
- (preferably) upon replacement of the filter.

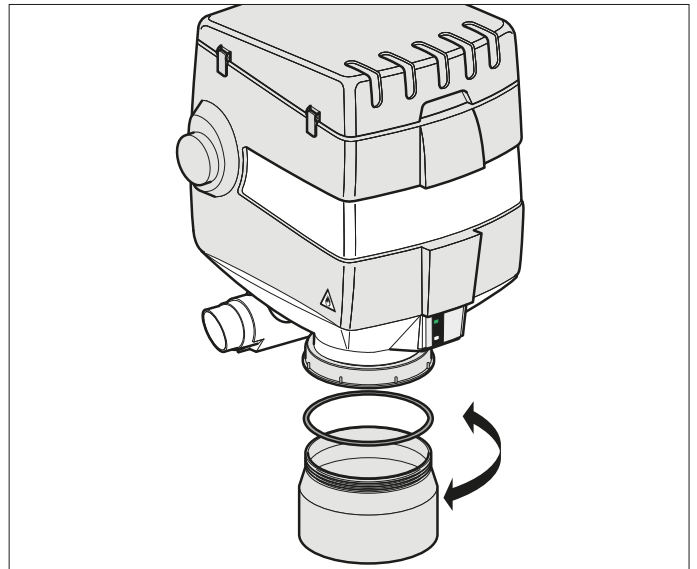


Fig. 6.2

7 TROUBLESHOOTING

- If the machine does not function (correctly), consult the checklist below to see if you can remedy the error yourself. Should this not be possible, contact your supplier.



WARNING

Always switch OFF the connected extraction fan before carrying out the activities below. First read the maintenance regulations at the beginning of this manual.



A number of problems in the checklist below can also be caused by defects in the connected equipment. This manual only deals with problems and solutions directly related to the product itself.

| Problem | Cause | Solution |
|------------------------------------|--|---|
| Extraction remains insufficient. | Incorrect direction of rotation of extraction fan. | Change the directions of rotation. See the corresponding manual. |
| | Filter clogged or saturated. | Replace filter. |
| | Steel mesh filter inside prefilter box clogged. | Clean (see section 6.1) or replace (see section 6.2.2) the steel mesh filter. |
| | Cleaning mechanism defective. | Repair cleaning mechanism. |
| Dust or smoke from outlet opening. | Filter ripped or placed incorrectly. | Replace filter or place it correctly. |
| Dust or smoke from inlet opening. | Outlet(s) blocked. | Remove obstructions from the outlet opening(s) and/or connected ductwork. |
| | Filter cartridge clogged. | Replace filter cartridge (see section 6.2.1). |
| | Steel mesh filter inside prefilter box clogged. | Clean (see section 6.1) or replace (see section 6.2.2) the steel mesh. |
| Dust or smoke from dust barrel. | Sealing of dust barrel leaky. | Replace sealing of dust barrel. |

| Problem | Cause | Solution |
|---|---|---|
| Indicator extinguished. | Indicator defective. | Replace indicator. |
| | Control PCB defective. | Replace control PCB. |
| | 24 VAC supply defective. | Remedy the 24 VAC supply. |
| Indicator keeps blinking. | Filter saturated. | Replace. See chapter 6. |
| | Cleaning mechanism defective: | |
| | - 24 VAC magnetic valve defective. | Replace magnetic coil or the diaphragm. |
| | - Control PCB defective. | Replace PCB. |
| | - Cleaning mechanism defective or worn. | Replace the cleaning mechanism. |
| | - No compressed air or compressed air pressure too low. | Check the compressed air system and/or the compressed air connection. |
| Statiflex 400-MS does not react to pressing the reset/start button. | - Pressure difference switch defective. | Replace the pressure difference switch. |
| | Reset/start button defective. | Replace reset/start button. |
| | Control PCB defective. | Replace control PCB. |
| | 24 VAC supply defective. | Remedy the 24 VAC supply. |

| Art. no. | Description |
|------------|--|
| 9850060120 | Barrel 15L for filter residue Statiflex 400-MS (reusable) |
| 0102080100 | Spark arrester Mobiflex 400-MS/Statiflex 400-MS (HD) (not shown) |

9 DISPOSAL

After life of the product, dispose it of in accordance with federal, state or local regulations.

CE DECLARATION

CE declaration of conformity for machinery

We, Plymovent Manufacturing B.V., Wezelkoog 11, 1822 BL Alkmaar, the Netherlands, herewith declare, on our own responsibility, that the product(s):

- Statiflex 400-MS

which this declaration refers to, is/are in accordance with the conditions of the following Directives:

- Machine Directive 2006/42 EC
- EMC 2004/108 EC

and is/are in conformity with the following harmonized standard(s) and/or other such normative documents + amendments, if any:

- EN-ISO 12100:2010 (safety of machinery)
- EN-ISO 13857:2008 (safety distances)
- EN-IEC 60204-1:2006 (electrical safety)

Alkmaar, The Netherlands, 6 November 2012



Ir. F. Coehoorn
Vice President Research & Development

An installation is defined as a combination of several finished products or components that are assembled by an installer at a given place. The various parts of the installation are intended to operate together in a particular environment and to perform a specific task. The entire installation must comply with the relevant directives and standards. The assembly instructions given by the manufacturer, as well as the whole method of installation, must be in accordance with good engineering practices within the context of installations, as well as installation rules. Considering the above, the installer will be responsible for completing the installation and issuing the final CE Declaration of Conformity.

8 SPARE PARTS

The following spare parts are available for the product (refer to Fig. I on page 38).

- Address your order to your supplier and always state the data below:
 - product name, supply voltage and serial number (see the identification plate);
 - article number of the particular part;
 - description;
 - quantity.

| Art. no. | Description |
|------------|---|
| 0042000040 | Membrane valve |
| 0046030010 | Pressure relief valve 6-10 bar |
| 0324150120 | Control lamp 28V, yellow |
| 0326701020 | PC board control Mobiflex 400-MS/Statiflex 400-MS |
| 0328290010 | Reset/start button |
| 0401102030 | Sealing ring |
| 0690150070 | Lock Statiflex 200-M/Statiflex 400-MS |
| 0806010160 | Handle barrel Statiflex 400-MS |
| 0806014020 | Cover star knob M8 |
| 0809040040 | Cover Ø 160 mm |
| 0810100050 | Sealing membrane valve |
| 9822010010 | Sealing Statiflex 200-M/Statiflex 400-MS (2,5 m) |
| 9824000030 | Pressure difference switch Statiflex 400-MS (670 Pa) |
| 9824000090 | Piston mechanism Mobiflex 400-MS/Statiflex 400-MS/Statiflex 6000-MS |
| 9850060110 | LongLife Filter FCC-30 |

VOORWOORD

Gebruik van de handleiding

Deze handleiding is bedoeld als naslagwerk waarmee professionele, geschoolde en daartoe bevoegde gebruikers het aan de voorzijde van dit document vermelde product op veilige wijze kunnen installeren, gebruiken, onderhouden en repareren.

Pictogrammen en symbolen

In deze **handleiding** worden de volgende pictogrammen en symbolen gebruikt:

| | |
|--|--|
|  | Suggesties en adviezen om de betreffende taken of handelingen gemakkelijker te kunnen uitvoeren. |
|  | VOORZICHTIG! Procedures die -wanneer ze niet met de nodige voorzichtigheid worden uitgevoerd- schade aan het product, de omgeving of het milieu tot gevolg kunnen hebben. |
|  | WAARSCHUWING Procedures die -wanneer ze niet met de nodige voorzichtigheid worden uitgevoerd- ernstige schade aan het product of lichamelijk letsel tot gevolg kunnen hebben. |
|  | WAARSCHUWING Brandgevaar! Gebruik het product nooit voor het afzuigen van brandbare, gloeiende of brandende deeltjes of (vloeistof)stoffen. Gebruik het product nooit voor het afzuigen en/of filteren van agressieve dampen (zoals zoutzuur) of scherpe deeltjes. |
|  | WAARSCHUWING Gevaar voor elektrische spanning. |

Service en ondersteuning

Voor informatie betreffende specifieke afstellingen, onderhouds- of reparatiewerkzaamheden die buiten het bestek van deze handleiding vallen, gelieve contact op te nemen met de leverancier van het product. Deze is altijd bereid u te helpen. Zorg ervoor dat u de volgende gegevens bij de hand heeft:

- productnaam
- serienummer

Deze gegevens vindt u op het identificatieplaatje.

1 VEILIGHEID

Algemeen

De fabrikant aanvaardt geen enkele aansprakelijkheid voor schade of letsel veroorzaakt door het niet (strikt) naleven van de veiligheidsvoorschriften en -instructies in deze handleiding, dan wel door onachtzaamheid tijdens installatie, gebruik, onderhoud en reparatie van het op de voorzijde van dit document vermelde product en de eventuele bijbehorende accessoires.

Afhankelijk van de specifieke werkomstandigheden of gebruikte accessoires kunnen aanvullende veiligheidsinstructies nodig zijn. Neem s.v.p. direct contact op met uw leverancier indien u bij het gebruik van het product een potentieel gevaar hebt geconstateerd.

De gebruiker van het product is te allen tijde volledig verantwoordelijk voor de naleving van de plaatselijk geldende veiligheidsvoorschriften en -richtlijnen. Respecteer alle veiligheidsvoorschriften en -richtlijnen die van toepassing zijn bij het omgaan met lasapparatuur.

Gebruikershandleiding

- Een ieder die aan of met het product werkt, dient van de inhoud van deze handleiding op de hoogte te zijn en de instructies daarin nauwgezet op te volgen. De bedrijfsleiding dient het personeel aan de hand van de handleiding te onderrichten en alle voorschriften en aanwijzingen in acht te nemen.
- Wijzig nooit de volgorde van de te verrichten handelingen.
- Bewaar de handleiding steeds in de nabijheid van het product.

Pictogrammen en instructies op het product (indien aanwezig)

- Op het product aangebrachte pictogrammen, waarschuwingen en instructies maken deel uit van de getroffen veiligheidsvoorzieningen. Ze mogen niet worden afgedekt of verwijderd en dienen gedurende de gehele levensduur van het product aanwezig en leesbaar te zijn.
- Vervang of herstel onmiddellijk onleesbaar geworden of beschadigde pictogrammen, waarschuwingen en instructies.

Gebruikers

Gebruik van het product is uitsluitend voorbehouden aan daartoe opgeleide en bevoegde gebruikers. Tijdelijke werkkrachten en personen in opleiding mogen het product uitsluitend onder toezicht en verantwoording van vaklui gebruiken.

Gebruik volgens bestemming¹

Het product is uitsluitend ontworpen voor het filteren van schadelijke rook en stoffen die vrijkomen bij de meest voorkomende lasprocessen, met de nadrukkelijke restrictie dat deze rook en stoffen slechts door een afzuigarm -en met gebruikmaking van een afzuigventilator (SF 2400)- mogen worden toegevoerd. Elk ander of verdergaand gebruik geldt niet als conform de bestemming. Voor schade of letsel dat hiervan het gevolg is, aanvaardt de fabrikant geen enkele aansprakelijkheid. Het product is in overeenstemming met de vigerende normen en richtlijnen. Gebruik het product uitsluitend in technisch perfecte conditie, conform de hierboven beschreven bestemming.

Technische specificaties

De in deze handleiding vermelde specificaties mogen niet worden gewijzigd.

Veiligheidsvoorzieningen


- Alle veiligheidsvoorzieningen moeten correct zijn gemonteerd en mogen uitsluitend voor onderhouds- en reparatiewerkzaamheden worden verwijderd door daartoe opgeleide, bevoegde service-technici.
- Het product mag nooit worden gebruikt indien de veiligheidsvoorzieningen niet compleet of niet aanwezig zijn, dan wel buiten werking zijn gesteld of geraakt.
- De veiligheidsvoorzieningen moeten regelmatig op correcte werking worden gecontroleerd en, indien nodig, onmiddellijk worden gerepareerd.

Modificaties

Modificatie van (onderdelen van) het product is niet toegestaan.


1. Het "Gebruik volgens bestemming" zoals vastgelegd in de EN-ISO 12100 is het gebruik waarvoor het technisch product volgens de opgave van de fabrikant -inclusief diens aanwijzingen in de verkoopbrochure- geschikt is. Bij twijfel is dat het gebruik dat uit de constructie, uitvoering en functie van het product als gebruikelijk naar voren komt. Tot het gebruik volgens bestemming behoort ook het in acht nemen van de instructies in de gebruikershandleiding.

Gebruik

| | |
|--|---|
|  | WAARSCHUWING Brandgevaar! Gebruik het product nooit voor het filteren van brandbare, gloeiende of brandende deeltjes of (vloeistof)stoffen. Gebruik het product nooit voor het filteren van agressieve dampen (zoals zoutzuur) of scherpe deeltjes. |
|--|---|

- Inspecteer het product en controleer het op beschadigingen. Verifieer de werking van de veiligheidsvoorzieningen.
- Controleer de werkomgeving. Laat onbevoegden niet in de werkomgeving toe.
- Gebruik uw gezond verstand. Blijf voortdurend opletten en houd uw aandacht bij het werk. Gebruik het product niet als u vermoeid bent of onder invloed verkeert van drugs, alcohol of medicijnen.
- Zorg altijd voor voldoende ventilatie, met name in kleinere ruimten.
- Installeer het product nooit voor in-, uit- en doorgangen die zijn bedoeld voor hulpdiensten.
- Zorg ervoor dat op de werkplek voldoende goedgekeurde brandblussers aanwezig zijn.
- Bescherm het product tegen water of vocht.
- Het zelfreinigende lasrookfilter werkt uitsluitend indien de schadelijke rook en stoffen door een afzuigventilator in het filter worden geblazen. Sluit de Statiflex 400-MS dan ook nooit aan op de aanzuigopening van de afzuigventilator.
- Sluit de Statiflex 400-MS uitsluitend aan op de aanbevolen aansluitkast (CB).
- Het zelfreinigende lasrookfilter is ontworpen om te worden gebruikt in een configuratie met slechts **één** afzuigarm en **één** afzuigventilator (SF 2400). Sluit de Statiflex 400-MS dan ook nooit aan op meerdere afzuigarmen of meerdere afzuigventilatoren.
- Lucht die deeltjes bevat die een bedreiging vormen voor de gezondheid -zoals chroom, nikkel, beryllium, cadmium, lood, etc.- mag nooit worden gerecycleerd. Deze lucht moet altijd buiten de werkruimte worden gebracht.
- Het product is geschikt voor het afzuigen en/of filteren van dampen die ontstaan tijdens de volgende lasprocessen:
 - MIG/MAG massief draad (GMAW);
 - MIG/MAG gevulde draad (FCAW);
 - elektrisch lassen (MMA of SMAW);
 - TIG (GTAW) lassen;
 - autogeen lassen.
- Gebruik het product nooit voor het afzuigen van stofdeeltjes die vrij komen bij laswerkzaamheden aan gepermerde oppervlakken.
- Gebruik het product nooit voor het afzuigen en/of filteren van dampen van, of tijdens:
 - gutsen;
 - olienevels;
 - vernevels;
 - zware olienevels in lasdampen;
 - hete gassen (continu boven 40°C);
 - agressieve gassen (zoals van zuren);
 - plasma snijden;
 - aluminium of magnesium slijpsel;
 - vlamspuiten;
 - cement, zaagsel of houtstof e.d.;
 - brandende sigaretten, sigaren, olie doeken en andere brandende deeltjes, voorwerpen en zuren;
 - in alle explosiegevaarlijke situaties. (Deze lijst is niet allesomvattend.)
- Schakel het product nooit zonder voorfilterbox en filter in.
- Wacht na het uitschakelen van de motor circa 10 seconden alvorens het filter te demonteren.

Service, onderhoud en reparaties

| | |
|---|--|
|  | In deze handleiding wordt een duidelijk onderscheid gemaakt in service-, onderhouds- en reparatiewerkzaamheden die door de gebruiker mogen worden verricht, en die welke uitsluitend zijn voorbehouden aan daartoe opgeleide en bevoegde service-technici. |
|---|--|

- Respecteer de in deze handleiding gegeven onderhoudsintervallen. Achterstallig onderhoud kan leiden tot hoge kosten voor reparaties en revisies en kan aanspraken op garantie doen vervallen.
- Gebruik altijd door de fabrikant goedgekeurde gereedschappen, onderdelen, materialen, smeermiddelen en service-technieken. Gebruik nooit versleten gereedschap en laat geen gereedschap in of op het product achter.
- Veiligheidsvoorzieningen die ten behoeve van service, onderhoud of reparatie zijn verwijderd, moeten na deze werkzaamheden onmiddellijk worden gemonteerd en op correct functioneren worden gecontroleerd.
- Reinig regelmatig de binnenkant van de behuizing.
- Vervang de filters tijdig.
- Leeg tijdig het stofvat.
- Voorkom oneigenlijk gebruik van de filterkap als werkbank of lastafel.

2 TECHNISCHE SPECIFICATIES

2.1 Identificatie van het product

Het identificatieplaatje bevat de volgende gegevens:

- serienummer
- productnaam
- vermogen
- aansluitspanning

2.2 Algemeen

| | |
|-----------------------------------|---|
| Nettogewicht | 85 kg |
| Afzuigdebiet | 1.100 m ³ /h |
| Filteroppervlak | 30 m ² |
| Filterrendement volgens DIN 24185 | EU 7-9 |
| Persluchtverbruik | max. 60 nl/min. (afhankelijk van vervuilingsgraad van het filter) |

| | |
|---|--|
|  | Het vermelde afzuigdebiet geldt voor een op een SF 2400 aangesloten Statiflex 400-MS met een schoon filter en een luchtkanaal van 1 m lengte (Ø 160 mm). De combinatie afzuigventilator (SF 2400) - lasrookfilter (Statiflex 400-MS) kent beperkingen met betrekking tot het maximaal aan te sluiten luchtkanaalsysteem. Neem hiertoe eerst contact op met de leverancier. |
|---|--|

2.3 Afmetingen

Zie Fig. 2.1.

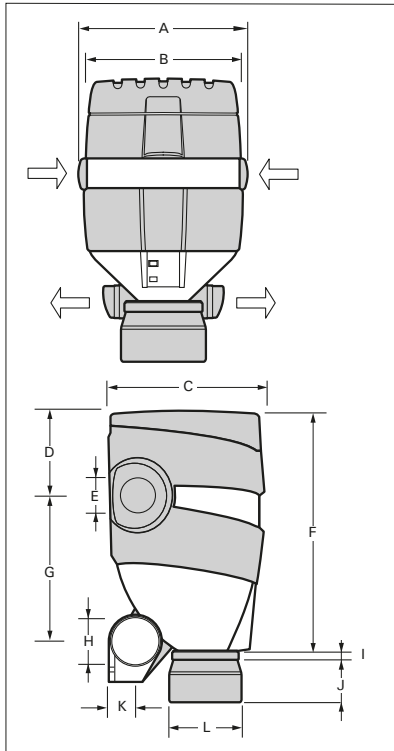


Fig. 2.1

| | mm |
|---|-------|
| A | 720 |
| B | 670 |
| C | 660 |
| D | 360 |
| E | Ø 160 |
| F | 920 |
| G | 515 |
| H | Ø 160 |
| I | 45 |
| J | 175 |
| K | 130 |
| L | Ø 330 |

2.4 Drukval

Zie Fig. 2.2.

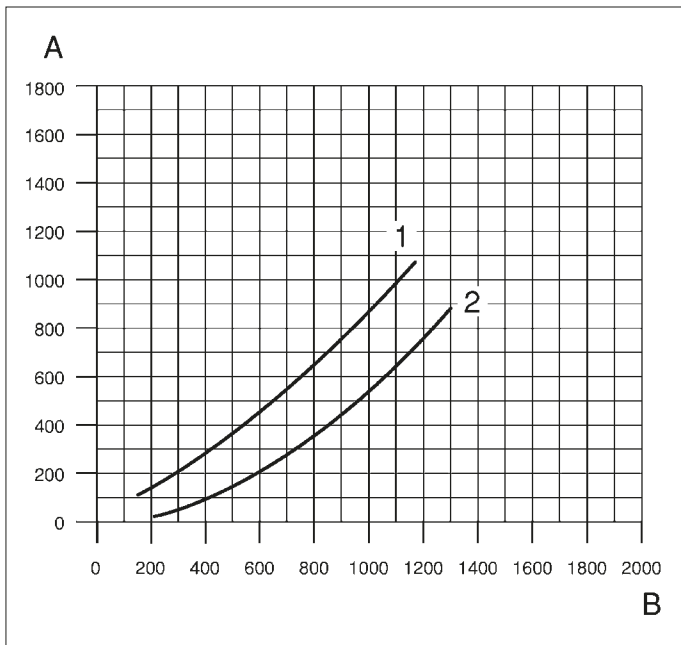


Fig. 2.2

- A Statische druk (Pa)
- B Luchtstroom (m³/h)
- 1 Vervuild filter
- 2 Schoon filter

2.5 Omgevingscondities

| | |
|----------------------------|------|
| Min. bedrijfstemperatuur | 5°C |
| Max. bedrijfstemperatuur | 45°C |
| Max. relatieve vochtigheid | 80% |

3 ALGEMENE BESCHRIJVING

3.1 Algemene beschrijving

Het product is speciaal ontworpen voor het filteren van schadelijke rook en stoffen die vrijkomen bij de meest voorkomende lasprocessen. De Statiflex 400-MS wordt daartoe veelal geïntegreerd in configuraties die, naast het lasrookfilter, een afzuigarm, een afzuigventilator (SF 2400) en een luchtkanaalsysteem omvatten.

Het zelfreinigende lasrookfilter bestaat uit de volgende hoofdcomponenten (zie Fig. 3.1):

Fig. 3.1:

- A filterkap
- B magneetklep (24 VAC)
- C filterbody
- D Bedieningspaneel
- E uitblaasopening (links en rechts)
- F stofvat
- G voorfilterbox (afzonderlijk afgebeeld)
- H inblaasopening (links en rechts)
- I wandbevestigingsbeugel
- J filter
- K reinigungsunit met snelontluchtventiel

3.2 Werking

De vervuilde rook wordt in het lasrookfilter geblazen door een externe afzuigventilator via een spiraalbuis of een flexibele slang en via de voorfilterbox (zie Fig. 3.1 G), waarbij de grotere deeltjes en vonken worden afgescheiden.

Vervolgens wordt de lucht door het filter (zie Fig. 3.1 J) met een filteroppervlak van circa 30 m² gezuiverd waarbij nagenoeg alle deeltjes (vanaf 0,3 µm) worden afgevangen. Via de uitblaasopening(en) (zie Fig. 3.1 E) verlaat de gereinigde lucht het filter en kan naar keuze naar de werkplek of naar buiten worden gevoerd.

Op het moment dat het filter zwaarvervuild raakt -en dientengevolge de afzuigcapaciteit sterk afneemt-, activeert een drukverschilschakelaar het RoboClean perslucht-reinigingsmechanisme dat vervolgens met behulp van sectiegestuurde persluchtstoten het filter grondig reinigt. De stof- en vuildeeltjes vallen aan de buitenzijde van het filter in een kunststof stofvat (zie Fig. 3.1 F).

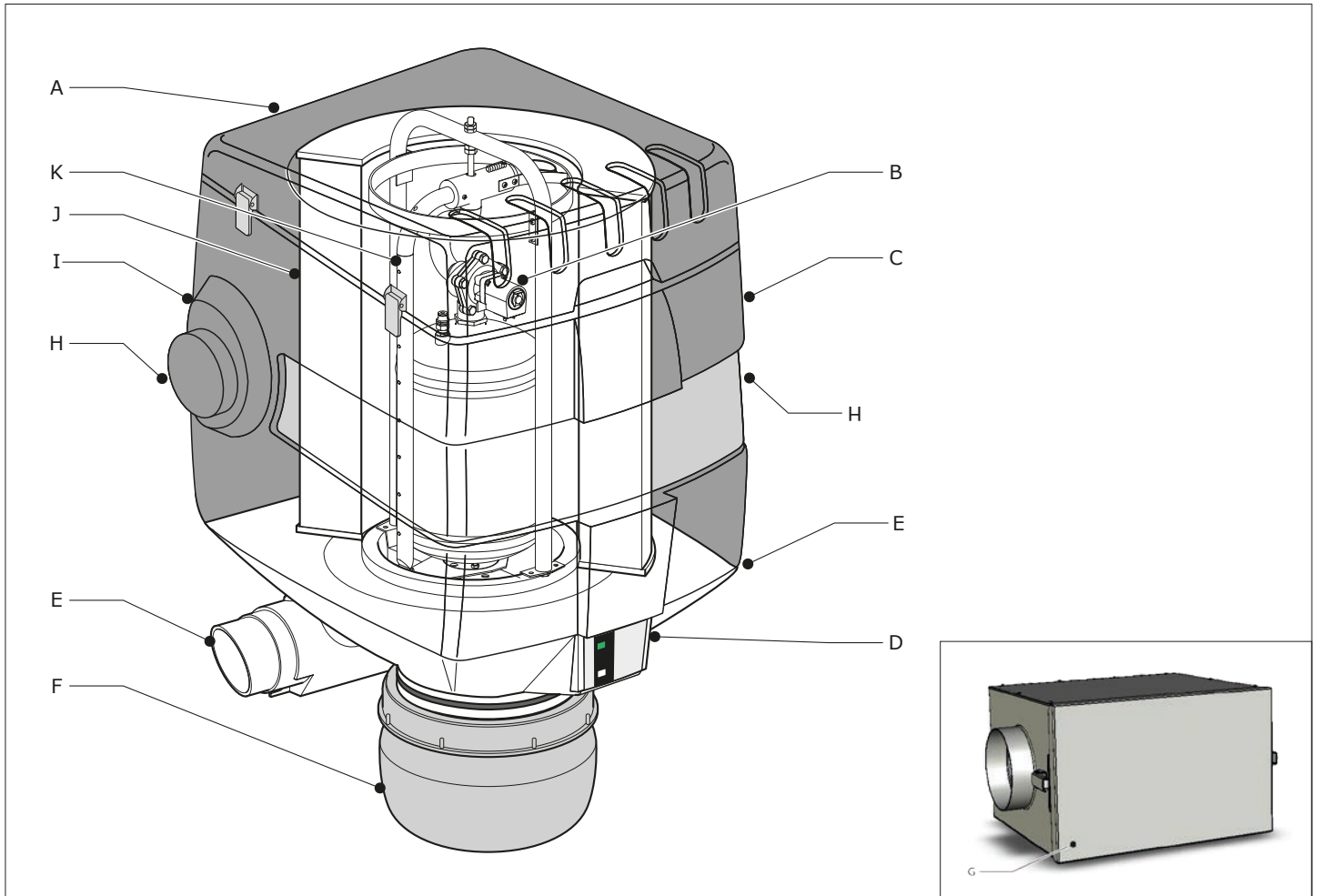


Fig. 3.1

4 INSTALLATIE

4.1 Uitpakken

- Controleer of het product compleet is. De inhoud van de verpakking bestaat uit:
 - lasrookfilter (Statiflex 400-MS)
 - wandbevestigingsbeugel
 - voedingskabel (NCW-11)
 - aansluitwartel (PG-7)
 - elektrisch schema
 - voorfilterbox

Indien onderdelen ontbreken of beschadigd zijn, neem dan contact op met uw leverancier.

4.2 Montage



VOORZICHTIG!

Het zelfreinigende lasrookfilter werkt uitsluitend indien de schadelijke rook en stoffen door de afzuigventilator in het filter worden **geblazen**. Sluit de Statiflex 400-MS dan ook nooit aan op de aanzuigopening van de afzuigventilator. Het lasrookfilter is ontworpen om te worden gebruikt in een configuratie met **één** afzuigarm en **één** afzuigventilator (SF 2400). Sluit de Statiflex 400-MS dan ook nooit aan op meerdere afzuigarmen of meerdere afzuigventilatoren. Sluit de Statiflex 400-MS uitsluitend aan op de CB aansluitkast.



Monteer de Statiflex 400-MS (Fig. 4.1 C) zodanig dat de inblaasopening (Fig. 4.1 B) horizontaal in één lijn ligt met de uitblaasopening (Fig. 4.1 D) van de afzuigventilator. In de standaardopstelling wordt de Statiflex 400-MS rechts van de afzuigventilator (Fig. 4.1 A) geplaatst. Zie Fig. 4.2 voor de advieshoogte van de wandbevestigingsbeugel. Voor montage van de (LMB of TMB) wandbevestigingsbeugels (Fig. 4.1 E) en de afzuigventilator, zie de betreffende handleidingen.



VOORZICHTIG!

Controleer -alvorens de wandbevestigingsbeugel (Fig. 4.2 A) te monteren- of de muur sterk genoeg is. Het nettogewicht van de Statiflex 400-MS is ca. 85 kg. Let bij het boren op eventueel aanwezige gas-, water- en elektriciteitsleidingen. Plaats de Statiflex 400-MS niet op plaatsen waar deze is blootgesteld aan trillingen of aan warmtestraling afkomstig van warmtebronnen. Respecteer de eerder vermelde omgevingscondities.

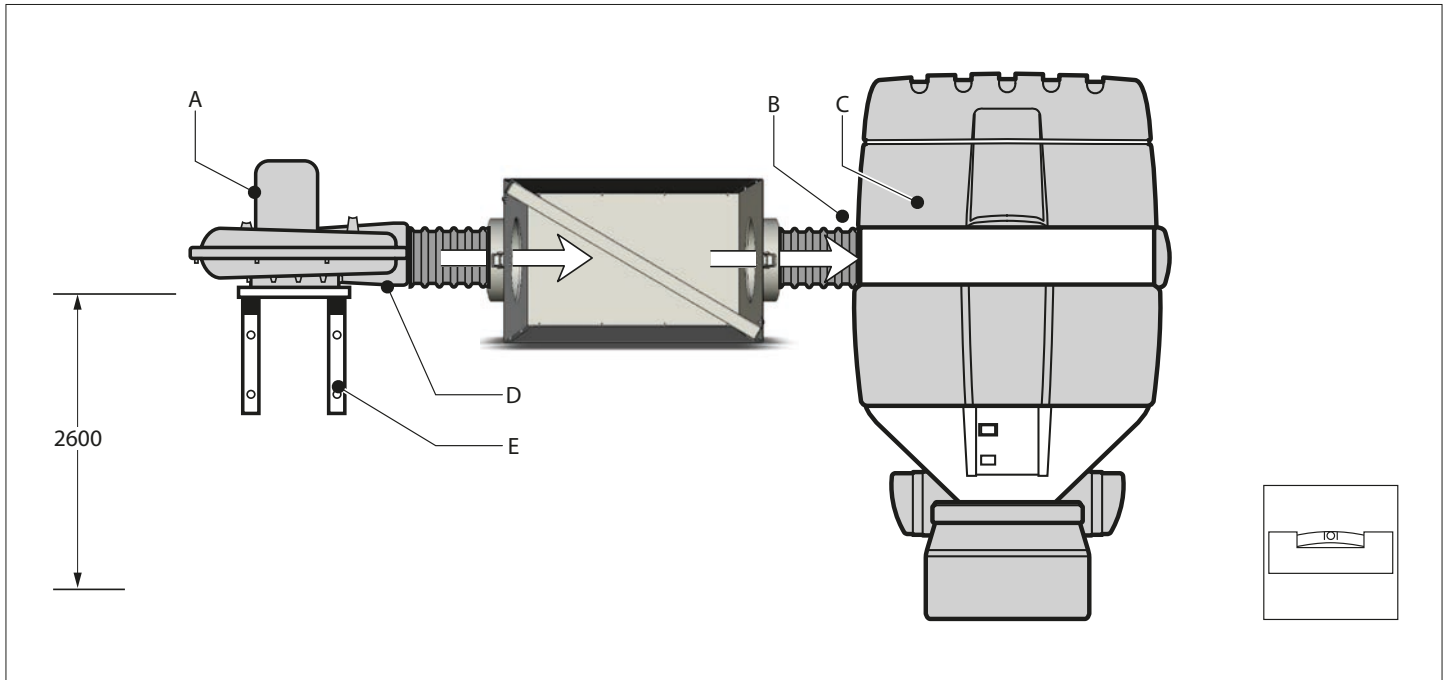


Fig. 4.1

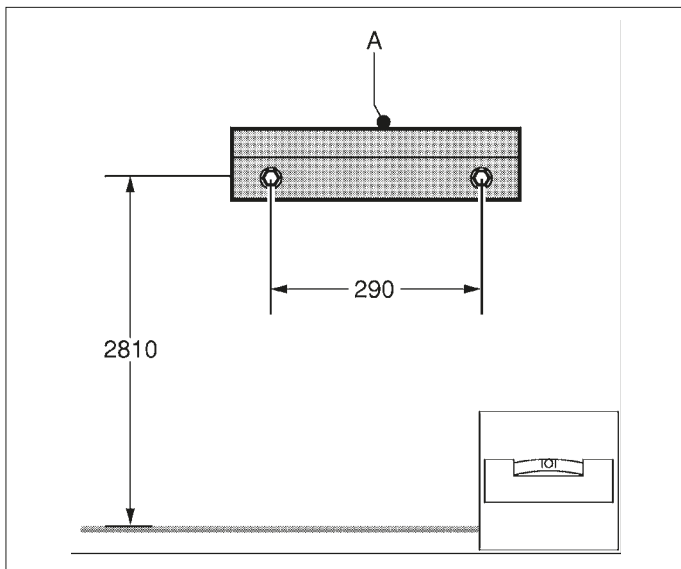


Fig. 4.2

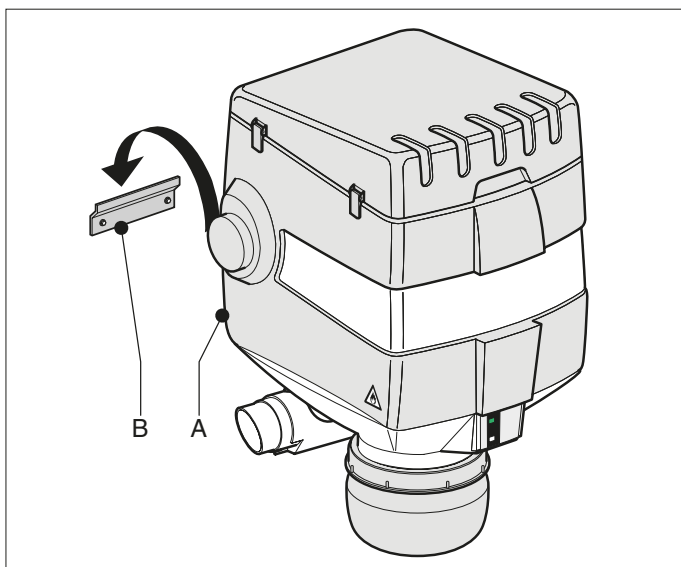


Fig. 4.3

4.2.1 Installatie

- Monteer de wandbevestigingsbeugel (Fig. 4.2 A). Zie Fig. 4.2 voor de advieshoogte en de boormaten. De aangegeven advieshoogte is van toepassing indien de afzuigarm op 2.600 mm wordt gemonteerd en de Statiflex 400-MS horizontaal in één lijn ligt met de uitblaasopening van de afzuigventilator. Zorg voor voldoende ruimte (min. 700 mm) aan de bovenzijde; bij het vervangen van het filter moet immers de filterkap worden gedemonteerd.
- Plaats de complete Statiflex 400-MS (Fig. 4.3 A) over de wandbeugel (Fig. 4.3 B).
- Monteer vervolgens naar keuze op de inblaasopening van de Statiflex 400-MS:
 - een spiralo-buis (Ø 160 mm), over het T-profiel;
 - een CKS (flexibele afzuigslang [Ø 160 mm] met twee slangklemmen).
- Zaag één **of beide** uitblaasopening(en) open (te vinden in de uitsparingen van het stofvat) en sluit de uitblaasopening(en) eventueel aan op een kanaalsysteem.
- Controleer of het gehele afzuigstelsel luchtdicht is. Indien niet mag worden gerecycleerd, sluit dan de uitblaasopening(en) altijd aan op een kanaalsysteem dat de lucht naar buiten voert.
- Borg tenslotte de gehele unit met bijvoorbeeld twee fretbouten in de sleufvormige uitsparingen van de filterbody; dit is noodzakelijk.



Installatie van de voorfilterbox

Raadpleeg het instructieblad voor installatie van de voorfilterbox.

4.2.2 Elektrische aansluiting

De 24 VAC voeding voor de Statiflex 400-MS wordt verkregen via de CB aansluitkast. Hiertoe worden een voedingskabel (NCW-11) en PG-7 wartel meegeleverd. De wartel moet in de CB worden gemonteerd.

- Sluit de NCW-11 aan op het driepolige aansluitblok aan de achterzijde van de Statiflex 400-MS en op de CB (zie de betreffende handleiding).

| | |
|--|---|
|  | WAARSCHUWING Voorkom schade. Let bij het aansluiten van de kabel op de kleurcodes. |
|  | WAARSCHUWING Schakel de netvoeding van de CB UIT alvorens de NCW-11 aan te sluiten. |

4.2.3 Persluchtaansluiting

Het reinigingsmechanisme werkt op perslucht met een aanbevolen werkdruk van 400-500 kPa (4-5 bar). Zorg er altijd voor dat de werkdruk tussen 400-500 kPa (4-5 bar) ligt. Bij voorkeur moet de druk op 450 kPa (4,5 bar) liggen. Monteer indien nodig een reduceerventiel om te voorkomen dat het veiligheidsventiel in werking treedt.

| | |
|--|---|
|  | WAARSCHUWING Voorkom schade aan het reinigingsmechanisme. Zorg ervoor dat de perslucht vrij is van olie en vocht. |
|--|---|

- Sluit de persluchtslang aan op de aansluitwartel (1/4" inw.) aan de achterzijde van de Statiflex 400-MS.

5 GEBRUIK

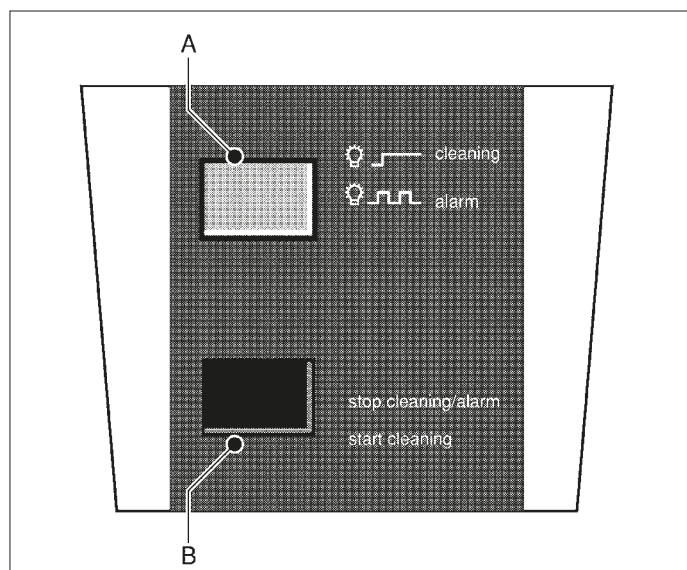



Fig. 5.1

| | |
|--|---|
|  | VOORZICHTIG! Neem vóór gebruik de veiligheidsvoorschriften zorgvuldig door. Bepaal aan de hand van de plaatselijk geldende voorschriften en het gebruikte lasproces of er al dan niet wordt gerecycleerd. |
|--|---|

5.1 Bedieningsorganen

Het bedieningspaneel is voorzien van de volgende bedieningsorganen (zie Fig. 5.1):

Fig. 4.1:

- A Signaallamp (geel)
De signaallamp licht op ("CLEANING") ten teken dat de Statiflex 400-MS bezig is met het (zelf)reinigingsproces. De signaallamp knippert ("ALARM") ten teken dat het filter is verzadigd en niet kan worden gereinigd, dan wel dat de druk niet toereikend is om het filter te reinigen.
- B Reset-/startknop
Zwarte knop voor het handmatig in- en uitschakelen van het reinigingsmechanisme (resp. "START CLEANING" en "STOP CLEANING/ALARM").

5.2 Bediening

Onderstaande processen zijn ook van toepassing in combinatie met een WL en AST (indien geactiveerd).

5.2.1 Normaal bedrijf


Tijdens normaal bedrijf (d.w.z. bij een schoon, niet-verzadigd filter) werkt de Statiflex 400-MS geheel zelfstandig; de bij de laswerkzaamheden vrijkomende rook en stoffen worden door de ingeschakelde afzuigventilator in het filter geblazen. Zodra -als gevolg van een vervuild filter- de minimum airflow is bereikt, activeert een drukverschilschakelaar het RoboClean perslucht-reinigingsmechanisme dat vervolgens met behulp van sectiegestuurde persluchtstoten (3x) het filter reinigt. De stof- en vuildeeltjes vallen dientengevolgde in het stofvat. Tijdens dit (zelf)reinigingsproces brandt de signaallamp en dooft weer na reiniging. De ventilator blijft hierbij gewoon doordraaien.

5.2.2 Verzadiging van het systeem

Indien het filter -na tien, door de Statiflex 400-MS zelf geïnitieerde pogingen-, niet meer kan worden gereinigd, begint de signaallamp te knipperen. Er kan echter wel worden doorgewerkt, immers de afzuigventilator kan blijven draaien. Een knipperende signaallamp duidt veelal op een verzadigd filter. Zie ook hoofdstuk 7.

- Schakel de knipperende signaallamp uit door het indrukken van de reset-/startknop.
- Vervang het filter en/of leeg het stofvat (zie hoofdstuk 6).

5.2.3 Handmatige bediening

| | |
|---|--|
|  | VOORZICHTIG! Gebruik de handmatige bediening NOOIT gedurende de eerste 10 netto arbeidsuren; het filterrendement zal hierdoor afnemen. |
|---|--|

Met behulp van de zwarte reset-/startknop kan het reinigingsmechanisme handmatig worden in- en uitgeschakeld. Bij het inschakelen ("START CLEANING") wordt/blijft de afzuigventilator uitgeschakeld en brandt de signaallamp continu gedurende de gehele reinigingscyclus (ca. 40-50 min. = 40 persluchtstoten). Het reinigingsproces kan op elk moment worden gestopt door nogmaals de reset-/startknop in te drukken ("STOP CLEANING/ALARM"). Het reinigingsmechanisme valt hierna in normaal bedrijf.

6 ONDERHOUD

Het product is ontworpen om gedurende lange tijd probleemloos te functioneren met een minimum aan onderhoud. Om dit te garanderen zijn echter enkele eenvoudige, regelmatig uit te voeren onderhouds- en reinigingswerkzaamheden noodzakelijk die in dit hoofdstuk worden beschreven. Indien u met de nodige voorzichtigheid te werk gaat en regelmatig onderhoud uitvoert, zullen eventuele problemen veelal ontdekt en gecorrigeerd kunnen worden voordat ze tot stilstand leiden.

De aangegeven onderhoudsintervallen kunnen variëren afhankelijk van de specifieke arbeids- en bedrijfsomstandigheden. Daarom wordt aanbevolen -naast het hier aangegeven periodieke onderhoud- het product jaarlijks aan een grondige, algehele inspectie te onderwerpen. Neem hiertoe contact op met uw leverancier.

| | |
|---|--|
|  | WAARSCHUWING Achterstallig onderhoud kan leiden tot brand. |
|---|--|

**WAARSCHUWING**

Schakel de aangesloten afzuigventilator altijd UIT alvorens onderstaande werkzaamheden te verrichten. Lees eerst de onderhoudsvorschriften vooraan in deze handleiding.

6.1 Periodiek onderhoud

De met een [¹] aangegeven onderhoudswerkzaamheden in onderstaande tabel mogen door de gebruiker worden uitgevoerd; de overige werkzaamheden zijn voorbehouden aan daartoe opgeleide en bevoegde service-technici.

| Actie | 1-3 mnd | elke 3 mnd | elke 6 mnd |
|--|---------|------------|------------|
| Controleer het stalen maasfilter van de voorfilterbox op schade, verstopping en verzadiging. Raadpleeg paragraaf 6.2.2 indien het maasfilter beschadigd, verstopt of verzadigd is. | X[¹] | | |
| Reinig de voorfilterbox met behulp van een industriële stofzuiger. | X[¹] | | |
| Reinig de buitenzijde met een mild schoonmaakmiddel. | | | X[¹] |
| Reinig de binnenzijde met behulp van een industriële stofzuiger en verwijder het stof uit het filtercompartiment. | | X[¹] | |
| Controleer het filter op beschadiging, vervuiling en verzadiging. | X[¹] | | |
| Controleer -via handmatige bediening- de werking van het reinigingsmechanisme (ronddraaien, lekkage). | | | X |
| Controleer of het stofvat vol is. | X[¹] | | |

6.2 Vervanging van het filter, het stalen maasfilter van de voorfilterbox en/of legen van het stofvat**WAARSCHUWING**

Volle filters en/of stofvaten bevatten vaak stof- en vuildeeltjes die bij inademing een bedreiging kunnen vormen voor de gezondheid. Draag bij het vervangen ervan dan ook een deugdelijk, goedgekeurd gezichtsmasker. Verpak het geheel in een goed afgesloten plastic zak en voer het af conform de plaatselijk geldende voorschriften.

6.2.1 Filter

Vervang het filter:

- bij beschadiging;
- zodra de afzuigcapaciteit ontoereikend blijft;
- zodra de signaallamp blijft knipperen, terwijl het reinigingsmechanisme werkt.

Daar de levensduur van het filter sterk afhankelijk is van bijvoorbeeld de samenstelling van de lasrook, de vochtigheidsgraad, etc., is het bepalen van het moment van vervanging veelal een ervaringskwestie.

- Neem de filterkap (Fig. 6.1 A) af door het losdraaien van de sterknop en het losnemen van de vier beugelsluitingen.
- Neem het filter (Fig. 6.1 B) uit. Aanbevolen wordt het filtercompartiment te reinigen met een industriële stofzuiger.
- Plaats het nieuwe filter en monteer de filterkap.

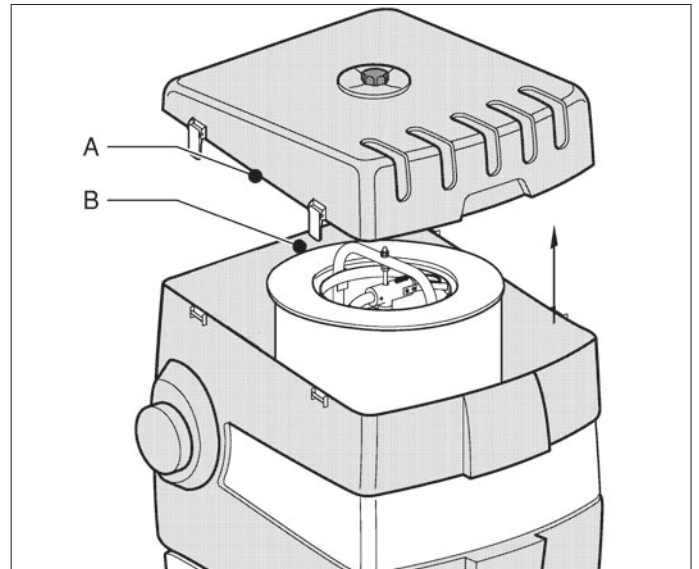


Fig. 6.1

6.2.2 Voorfilterbox

Vervang het stalen maasfilter:

- wanneer dit verstopt of verzadigd is en niet met een stofzuiger kan worden gereinigd; of
- wanneer het beschadigd is.



Als het stalen maasfilter beschadigd is, dan verdient het aanbeveling ook de filterpatroon te vervangen.

Het stalen maasfilter wordt als volgt vervangen:

- Onderbreek de stroomtoevoer naar de afzuigventilator.
- Maak de twee clips los en verwijder de filterafdekking.
- Verwijder het stalen maasfilter.
- Berg het voorfilter op in een geschikte zak, bijvoorbeeld een plastic zak, als dit wettelijk of anderszins wordt voorgeschreven.



Reserve-voorfilters worden geleverd in een plastic zak. Deze zak kan worden gebruikt om het gebruikte voorfilter in te pakken en af te danken.

- Reinig de binnenkant van de voorfilterbox met een industriële stofzuiger.
- Installeer een nieuw stalen maasfilter.
- Plaats de filterafdekking terug en maak de twee clips vast.

6.2.3 Stofvat

Leeg het stofvat (Fig. 6.2):

- zodra het vat vol is;
- telkens wanneer u het filter vervangt.

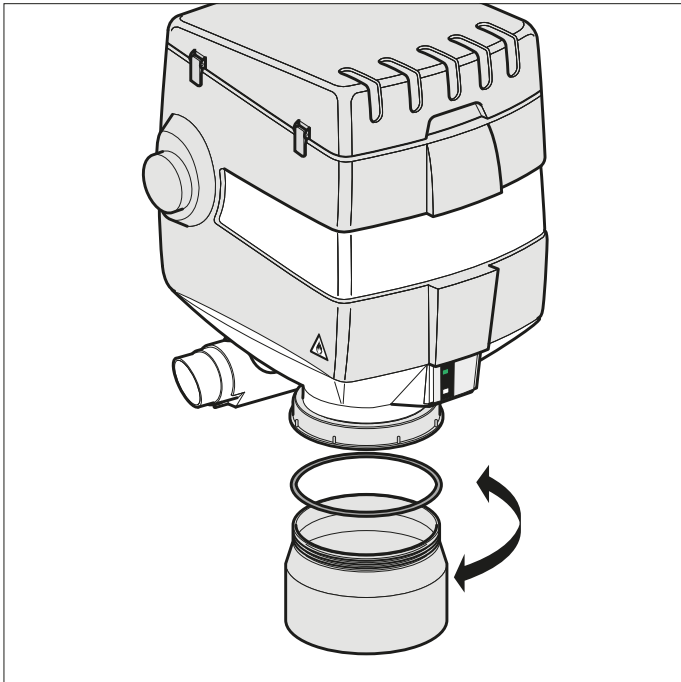


Fig. 6.2

7 VERHELPEN VAN STORINGEN

- Wanneer het product niet (correct) functioneert, raadpleeg dan de volgende checklist om te zien of u het probleem zelf kunt verhelpen. Is dit niet het geval, neem dan contact op met uw leverancier.

| | |
|--|---|
| | <p>WAARSCHUWING</p> <p>Schakel de aangesloten afzuigventilator en de aansluitkast (CB) altijd UIT alvorens onderstaande werkzaamheden te verrichten. Lees eerst de reparatievoorschriften vooraan in deze handleiding.</p> |
| | <p>Een aantal problemen in onderstaande checklist kan tevens het gevolg zijn van defecten in de aangesloten apparatuur. In deze handleiding worden echter uitsluitend de oorzaken en oplossingen behandeld die verband houden met het product zelf.</p> |

| Probleem | Mogelijke oorzaak | Oplossing |
|---------------------------------------|---|--|
| Afzuigcapaciteit blijft ontoereikend. | Draairichting afzuigventilator verkeerd. | Wijzig de draairichting. Zie de betreffende handleiding. |
| | Filter vervuild of verzadigd. | Vervang het filter. |
| | Stalen maasfilter binnen in voorfilterbox verstopt. | Reinig (zie paragraaf 6.1) of vervang (zie paragraaf 6.2.2) het stalen maasfilter. |
| | Reinigingsmechanisme defect. | Herstel het reinigingsmechanisme. |
| Stof of rook uit uitblaasopening. | Filter gescheurd of incorrect geplaatst. | Vervang het filter of plaats het op correcte wijze. |

| Probleem | Mogelijke oorzaak | Oplossing |
|--|---|--|
| Stof of rook uit de aanzuigopening. | Uitlaatdeel/delen geblokkeerd. | Verwijder obstructies uit de uitblaasopening(en) en/of aangesloten leidingwerk. |
| | Filterpatroon verstopt. | Vervang de filterpatroon (zie paragraaf 6.2.1). |
| | Stalen maasfilter binnen in voorfilterbox verstopt. | Reinig (zie paragraaf 6.1) of vervang (zie paragraaf 6.2.2) het stalen maasfilter. |
| Stof of rook uit het stofvat. | Afdichting van het stofvat lekt. | Vervang de afdichting van het stofvat. |
| Signaallamp brandt niet meer. | Signaallamp defect. | Vervang de signaallamp. |
| | Besturingsprint defect. | Vervang de besturingsprint. |
| | 24 VAC voeding defect. | Herstel de 24 VAC voeding. |
| Signaallamp blijft knipperen. | Filter verzadigd. | Vervang. Zie hoofdstuk 6. |
| | Reinigingsmechanisme defect: | |
| | - 24 VAC magneetklep defect. | Vervang de magneetspoel of het membraan. |
| | - besturingsprint defect. | Vervang de besturingsprint. |
| | - reinigingsmechanisme defect of versleten. | Vervang het reinigingsmechanisme. |
| | - geen perslucht, of te geringe perslucht. | controleer het persluchtsysteem en/of de persluchtaansluiting. |
| | - drukverschil-schakelaar defect. | Vervang de drukverschil-schakelaar. |
| Statiflex 400-MS reageert niet meer op het indrukken van de reset/startknop. | Reset/startknop defect. | Vervang reset/startknop. |
| | Besturingsprint defect. | Vervang besturingsprint. |
| | 24 VAC voeding defect. | Herstel de 24 VAC voeding. |

8 RESERVEONDERDELEN

Voor het product zijn de volgende reserveonderdelen verkrijgbaar (zie Fig. I op pagina 38).

- Richt uw bestelling aan uw leverancier en vermeld altijd onderstaande gegevens:
 - productnaam, aansluitspanning en serienummer (zie het identificatieplaatje);
 - artikelnummer van het betreffende onderdeel;
 - benaming;
 - aantal.

| Artikelnr. | Omschrijving |
|------------|---|
| 0042000040 | Membraanventiel |
| 0046030010 | Overdrukventiel 6-10 bar |
| 0324150120 | Waarschuwinglampje 28V, geel |
| 0326701020 | Besturingsprint Mobiflex 400-MS/Statiflex 400-MS |
| 0328290010 | Reset-/startschakelaar |
| 0401102030 | Afdichtingsring |
| 0690150070 | Beugelsluiting Statiflex 200-M/Statiflex 400-MS |
| 0806010160 | Handgreep vat Statiflex 400-MS |
| 0806014020 | Sterknop M8 |
| 0809040040 | Afdichtdeksel Ø 160 mm |
| 0810100050 | Pakking membraanventiel |
| 9822010010 | Afdichtprofiel Statiflex 200-M/Statiflex 400-MS (2,5 m) |
| 9824000030 | Drukverschilchakelaar Statiflex 400-MS (670 Pa) |
| 9824000090 | Zuigerhuis Mobiflex 400-MS/Statiflex 400-MS/Statiflex 6000-MS |
| 9850060110 | LongLife Filter FCC-30 |
| 9850060120 | Vat 15 l t.b.v. filterresidu Statiflex 400-MS (herbruikbaar) |
| 0102080110 | Vonkenvanger Mobiflex 400-MS/Statiflex 400-MS (HD) (niet afgebeeld) |

9 AFDANKEN

Voer het product na het einde van de levensduur af conform de lokaal geldende voorschriften en/of richtlijnen.

CE VERKLARING

EG-verklaring van overeenstemming

Wij, Plymovent Manufacturing B.V., Wezelkoog 11, 1822 BL Alkmaar, Nederland, verklaren geheel onder eigen verantwoordelijkheid dat het product/de producten:

- Statiflex 400-MS

waarop deze verklaring betrekking heeft, in overeenstemming is/zijn met de bepalingen van de volgende richtlijn(en):

- Machinerichtlijn 2006/42 EC
- EMC 2004/108 EC

en (in voorkomend geval) in overeenstemming is/zijn met de volgende geharmoniseerde normen en/of andere normatieve documenten + eventuele amendementen:

- EN-ISO 12100:2010 (machineveiligheid)
- EN-ISO 13857:2008 (veiligheidsafstanden)
- EN-IEC 60204-1:2006 (elektrische veiligheid)

Alkmaar, 6 november 2012



Ir. F. Coehoorn
Vice President Research & Development

Een installatie wordt gedefinieerd als een combinatie van diverse afgewerkte producten of componenten die door een installateur op een bepaalde plaats zijn geassembleerd. De diverse onderdelen van de installatie zijn bedoeld om in een bepaalde omgeving samen te werken en een specifieke taak uit te voeren. De gehele installatie moet voldoen aan de relevante richtlijnen en normen. De assemblage-instructies van de fabrikant, evenals de gehele installatiemethode, moeten binnen de context van installaties in overeenstemming zijn met goede technische werkmethoden, en met de installatievoorschriften. In dit verband is de installateur verantwoordelijk voor voltooiing van de installatie en afgifte van de uiteindelijke CE Verklaring van Conformiteit.





VORWORT

Über diese Anleitung

Diese Anleitung wurde als Nachschlagewerk für professionelle, geschulte und befugte Bediener geschrieben. Sie können mit dieser Anleitung das vorn auf diesem Dokument aufgeführte Produkt sicher installieren, bedienen, warten und reparieren.

Piktogramme und Symbole

In dieser **Anleitung** werden folgende Piktogramme und Symbole verwendet:

| | |
|--|--|
|  | Vorschläge und Tips, wie sich die betreffenden Aufgaben oder Handlungen einfacher ausführen lassen. |
|  | VORSICHT! Verfahren, die -wenn sie nicht mit der erforderlichen Umsicht ausgeführt werden- Schaden am Produkt, an der Umgebung oder an der Umwelt anrichten können. |
|  | WARNUNG Verfahren, die -wenn sie nicht mit der erforderlichen Umsicht ausgeführt werden- ernsten Schaden am Produkt anrichten oder zu Verletzungen führen können. |
|  | WARNUNG Feuergefahr! Das Produkt nie zum Filtern von brennbaren, glühenden oder brennenden Teilchen, Stoffen oder Flüssigkeiten verwenden. Das Produkt nie zum Filtern von aggressiven Dämpfen (wie Salzsäure) oder scharfen Teilchen verwenden. |
|  | WARNUNG Gefahr vor elektrischer Spannung! |

Kundendienst

Für Informationen zu bestimmten Einstellungen, Wartungs- oder Reparaturarbeiten, die nicht in dieser Anleitung behandelt werden, wenden Sie sich bitte an Ihren Händler. Er ist gern bereit, Ihnen zu helfen. Halten Sie in diesem Fall folgende Angaben bereit:

- Produktname
- Seriennummer

Diese Angaben finden Sie auf dem Typenschild.

1 SICHERHEITSVORSCHRIFTEN

Allgemeines

Der Hersteller haftet in keiner Weise für Schaden oder Verletzungen, die durch die nicht (genaue) Einhaltung der Sicherheitsvorschriften und -anweisungen in dieser Anleitung bzw. durch Nachlässigkeit während der Installation, Bedienung, Wartung und Reparatur des vorn auf diesem Dokument aufgeführten Produkts und eventuellem Zubehör entstehen. Abhängig von den spezifischen Arbeitsbedingungen sind möglicherweise ergänzende Sicherheitsanweisungen erforderlich. Sollten Sie bei der Benutzung des Produktes eine mögliche Gefahrenquelle entdecken, dann wenden Sie sich bitte an Ihren Händler.

Der Bediener des Produkts trägt immer die vollständige Verantwortung für die Einhaltung der örtlich geltenden Sicherheitsvorschriften und -richtlinien. Es sind alle Sicherheitsvorschriften und -richtlinien einzuhalten, die für den Einsatz von Schweißgeräten gelten.

Bedienungsanleitung

- Jeder, der an oder mit dem Produkt arbeitet, muss den Inhalt dieser Anleitung kennen, und die darin aufgeführten

Anweisungen genau befolgen. Die Geschäftsleitung muss das Personal an Hand der Anleitung einweisen und alle Vorschriften und Anweisungen beachten.

- Nie von der Reihenfolge der auszuführenden Handlungen abweichen.
- Die Anleitung immer in der Nähe des Produkts aufbewahren.

Piktogramme und Anweisungen auf dem Produkt (sofern vorhanden)

- Auf dem Produkt angebrachte Piktogramme, Warnungen und Anweisungen gehören zu den getroffenen Sicherheitsvorrichtungen. Sie dürfen nicht abgedeckt oder entfernt werden und müssen während der gesamten Lebensdauer des Produkts vorhanden und deutlich zu lesen sein.
- Unleserlich gewordene oder beschädigte Piktogramme, Warnungen und Anweisungen unverzüglich auswechseln oder reparieren.

Bediener

Die Bedienung des Produkts ist entsprechend geschulten und befugten Bedienern vorbehalten. Vorübergehende Arbeitskräfte und Auszubildende dürfen das Produkt ausschließlich unter Aufsicht und Verantwortung von Fachkräften bedienen.

Bestimmungsgemäße Verwendung¹

Das Produkt wurde ausschließlich zum Filtern von schädlichem Rauch und schädlichen Stoffen entworfen, die bei den am häufigsten vorkommenden Schweißprozessen freigesetzt werden; hierbei gilt die ausdrückliche Einschränkung, dass dieser Rauch und diese Stoffe nur durch **einen einzigen** Absaugarm -und unter Einsatz **eines einzigen** Absaugventilators (SF 2400)- zugeführt werden dürfen. Jede andere oder darüber hinausgehende Benutzung gilt nicht als bestimmungsgemäß. Für daraus resultierenden Schaden oder Verletzungen haftet der Hersteller in keiner Weise. Das Produkt entspricht den geltenden Normen und Richtlinien. Das Produkt ausschließlich in technisch einwandfreiem Zustand und gemäß der oben aufgeführten Bestimmung benutzen.

Technische Daten

Die in dieser Anleitung aufgeführten Daten dürfen nicht geändert werden.

Schutzeinrichtungen

- Alle Schutzeinrichtungen müssen ordnungsgemäß montiert sein und dürfen nur für Wartungs- und Reparaturarbeiten von entsprechend ausgebildeten, befugten Service-Technikern entfernt werden.
- Das Produkt darf nie benutzt werden, wenn die Schutzeinrichtungen nicht vollständig oder gar nicht vorhanden sind, bzw. außer Betrieb gesetzt wurden oder außer Betrieb sind.
- Die Schutzeinrichtungen müssen regelmäßig auf ihre ordnungsgemäße Funktion überprüft werden und, sofern erforderlich, unverzüglich repariert werden.

Änderungen

Änderungen am Produkt oder an Teilen des Produkts sind nicht zulässig.

1. Die "bestimmungsgemäße Verwendung" gemäß der EN-ISO 12100 ist die Verwendung, für die das technische Produkt gemäß den Angaben des Herstellers -einschließlich seiner Anweisungen in der Verkaufsbroschüre- geeignet ist. In Zweifelsfällen ist dies die Verwendung, die sich aus der Konstruktion, der Ausführung und der Funktion des Produkts als üblich ableiten lässt. Zur bestimmungsgemäßen Verwendung gehört auch die Einhaltung der Anweisungen in der Bedienungsanleitung.

Bedienung



WARNUNG

Feuergefahr! Das Produkt nie zum Filtern von brennbaren, glühenden oder brennenden Teilchen, Stoffen und Flüssigkeiten verwenden. Das Produkt nie zum Filtern von aggressiven Dämpfen (wie Salzsäure) oder scharfen Teilchen verwenden.

- Inspizieren Sie das Produkt und überprüfen Sie es auf Beschädigung. Überprüfen Sie die ordnungsgemäße Funktion der Schutzeinrichtungen.
- Überprüfen Sie den Arbeitsbereich. Halten Sie Unbefugte aus dem Arbeitsbereich fern.
- Schützen Sie das Produkt vor Wasser und Feuchtigkeit.
- Benutzen Sie Ihren gesunden Menschenverstand. Seien Sie immer aufmerksam und bleiben Sie mit der Aufmerksamkeit bei der Arbeit. Bedienen Sie das Produkt nie in berauschem oder alkoholisiertem Zustand oder wenn Sie Medikamente eingenommen haben.
- Sorgen Sie immer für ausreichende Belüftung, insbesondere in kleinen Räumen.
- Installieren Sie das Produkt nie vor Ein-, Aus- und Durchgängen, die für Rettungsdienste u.ä. zugänglich sein müssen.
- Sorgen Sie dafür, dass am Arbeitsplatz zugelassene Feuerlöschgeräte in ausreichender Zahl vorhanden sind.
- Der selbstreinigende Schweißrauchfilter funktioniert ausschließlich, wenn der schädliche Rauch und die schädlichen Stoffe durch einen Absaugventilator in den Filter geblasen werden. Schließen Sie das Statiflex 400-MS daher nie an die Ansaugöffnung des Absaugventilators an.
- Schließen Sie das Statiflex 400-MS ausschließlich an den empfohlenen Schaltkasten (CB) an.
- Der selbstreinigende Schweißrauchfilter wurde für den Einsatz in einer Konfiguration mit lediglich **einem** Absaugarm und lediglich **einem** Absaugventilator (SF 2400) entworfen. Schließen Sie das Statiflex 400-MS daher nie an mehrere Absaugarme oder mehrere Absaugventilatoren an.
- Luft, die potentiell gesundheitsschädliche Teilchen enthält, -wie Chrom, Nickel, Beryllium, Kadmium, Blei, usw.- darf nie recycelt werden. Diese Luft muss immer aus dem Arbeitsraum abgeführt werden.
- Das Produkt eignet sich zum Absaugen und/ oder Filtrieren von Dämpfen, die bei folgenden Schweißprozessen entstehen:
 - MIG-/MAG-Massivdraht (GMAW);
 - MIG-/MAG-Fülldraht (FCAW);
 - Lichtbogenschweißen (MMA oder SMAW);
 - TIG- (GTAW-) Schweißen;
 - Automatschweißen.
- Benutzen Sie das Produkt nie zum Absaugen von Staubeilchen, die bei Schweißarbeiten an grundierten Flächen freigesetzt werden.
- Verwenden Sie das Produkt nie zum Absaugen und/oder Filtrieren von folgenden Dämpfen bzw. unter folgenden Umständen:
 - Fugenhobeln;
 - Ölnebel;
 - Farbnebel;
 - Schwerer Ölnebel in Schweißdämpfen;
 - heiße Gase (ständig über 40°C);
 - aggressive Gase (wie von Säuren);
 - Plasmaschneiden;
 - Aluminium- oder Magnesiumschleifstaub;
 - Flammenspritzen;
 - Zement, Sägestaub, Holzstaub usw.;
 - brennende Zigaretten, Zigarren, Öltücher und andere brennende Partikeln, Objekte und Säuren;
 - unter explosionsgefährlichen Bedingungen.
(Diese Liste umfasst nicht alles.)
- Nehmen Sie das Produkt nie ohne die Vorfilterbox und den Filter in Betrieb.

- Warten Sie nach dem Ausschalten des Motors des angeschlossenen Absaugventilators circa 10 Sekunden, bevor Sie den Filter demontieren.

Service, Wartung und Reparaturen



Diese Anleitung unterscheidet deutlich zwischen solchen Service-, Wartungs und Reparaturarbeiten, die der Bediener selbst ausführen darf, und solchen, die ausschließlich entsprechend ausgebildeten und befugten Service-Technikern vorbehalten sind.

- Halten Sie sich an die angegebene Wartungsintervalle. Überfällige Wartung kann zu hohen Kosten für Reparaturen und Revisionen führen und kann den Garantieanspruch nichtig machen.
- Verwenden Sie immer vom Hersteller zugelassenes Werkzeug und Material sowie zugelassene Ersatzteile, Schmiermittel und Servicetechniken. Verwenden Sie nie abgenutztes Werkzeug und lassen Sie kein Werkzeug im oder auf dem Produkt zurück.
- Schutzeinrichtungen, die zu Service-, Wartungs- oder Reparaturzwecken entfernt wurden, müssen nach diesen Arbeiten unverzüglich wieder montiert und auf ihre ordnungsgemäße Funktion überprüft werden.
- Reinigen Sie regelmäßig die Innenseite des Gehäuses.
- Tauschen Sie rechtzeitig die Filter aus.
- Entleeren Sie rechtzeitig das Staubfass.
- Vermeiden Sie eine Zweckentfremdung der Filterhaube als Werkbank oder Schweißstisch.

2 TECHNISCHE DATEN

2.1 Identifizierung des Produkts

Das Typenschild enthält folgende Daten:

- Seriennummer
- Produktname
- Leistung
- Anschlussspannung

2.2 Allgemeines

| | |
|-------------------------------|--|
| Nettogewicht | 85 kg |
| Absaugleistung | 1.100 m ³ /h |
| Filteroberfläche | 30 m ² |
| Filterleistung nach DIN 24185 | EU 7-9 |
| Druckluftverbrauch | max. 60 nl/min. (je nach Verschmutzungsgrad des Filters) |



Die genannte Absaugleistung gilt für ein an einen SF 2400 angeschlossenes Statiflex 400-MS mit sauberem Filter und einem Luftkanal mit einer Länge von 1 m (Ø 160 mm). Die Kombination Absaugventilator (SF 2400) - Schweißrauchfilter (Statiflex 400-MS) ist hinsichtlich der maximal anschließbaren Luftkanalanlage begrenzt. Wenden Sie sich diesbezüglich erst an Ihren Händler.

2.3 Abmessungen

Siehe Fig. 2.1.

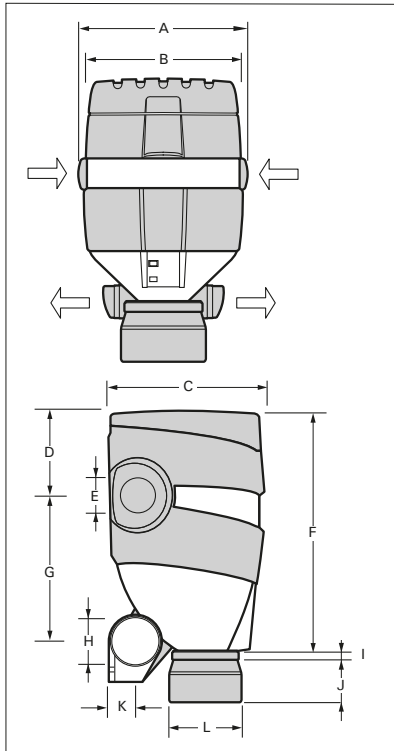


Fig. 2.1

| | mm |
|---|-------|
| A | 720 |
| B | 670 |
| C | 660 |
| D | 360 |
| E | Ø 160 |
| F | 920 |
| G | 515 |
| H | Ø 160 |
| I | 45 |
| J | 175 |
| K | 130 |
| L | Ø 330 |

2.4 Druckabfall

Siehe Fig. 2.2.

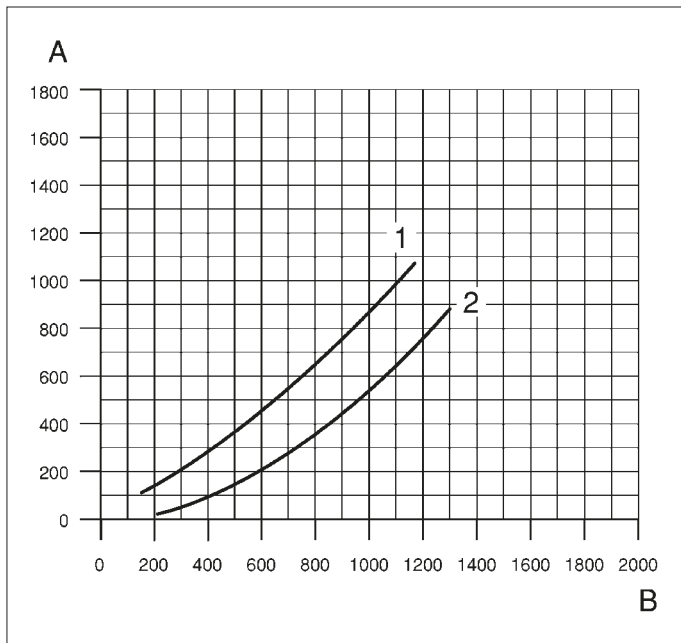


Fig. 2.2

- A Statischer Druck (Pa)
- B Luftdurchfluss (m³/h)
- 1 Filter, sauber
- 2 Filter, verschmutzt

2.5 Umgebungsbedingungen

| | |
|----------------------------|------|
| Min. Betriebstemperatur | 5°C |
| Max. Betriebstemperatur | 45°C |
| Max. relative Feuchtigkeit | 80% |

3 ALLGEMEINE BESCHREIBUNG

3.1 Allgemeine Beschreibung

Das Produkt wurde speziell zum Filtern von schädlichem Rauch und schädlichen Stoffen entworfen, die bei den üblichsten Schweißprozessen freigesetzt werden. Das Statiflex 400-MS wird zu diesem Zweck häufig in Konfigurationen eingesetzt, zu denen neben dem Schweißrauchfilter auch ein Absaugarm, ein Absaugventilator (SF 2400) und eine Luftkanalanlage gehören.

Der selbstreinigende Schweißrauchfilter besteht aus folgenden Hauptbestandteilen (siehe Fig. 3.1):

Fig. 3.1:

- A Filterhaube
- B Magnetventil (24 VAC)
- C Filtergehäuse
- D Bedienfeld
- E Ausblasöffnung (links und rechts)
- F Staubfass
- G Vorfilterbox (mit separater Abbildung)
- H Einblasöffnung (links und rechts)
- I Wandkonsole
- J Filter
- K Reinigungseinheit mit Schnellentlüftungsventil

3.2 Funktionsprinzip

Der verunreinigte Schweißrauch wird von einem externen Absaugventilator über einen Spiralschlauch bzw. einen Flexschlauch und über die Vorfilterbox (siehe Fig. 3.1 G) in den Schweißrauchfilter geblasen, wo dann größere Partikel und Funken separiert werden.

Anschließend wird die Luft vom Filter (Fig. 3.1 J) mit einer Filteroberfläche von circa 30 m² gereinigt, wobei fast alle Teilchen (ab 0,3 µm) abgefangen werden.

Über die Ausblasöffnung bzw. Ausblasöffnungen (Fig. 3.1 E) verlässt die gereinigte Luft den Filter und kann wahlweise wieder an den Arbeitsplatz zurück oder nach draußen abgeführt werden. Sobald der Filter stark verschmutzt ist -und die Absaugleistung dementsprechend stark abgenommen hat-, aktiviert ein Differenzdruckschalter das RoboClean Druckluft-Reinigungssystem, das den Filter daraufhin mittels abschnittsweise gesteuerter Druckluftstöße gründlich reinigt. Die staub- und Schmutzteilchen fallen an der Außenseite der Filters in einen Kunststoff-Staubfass (Fig. 3.1 F).

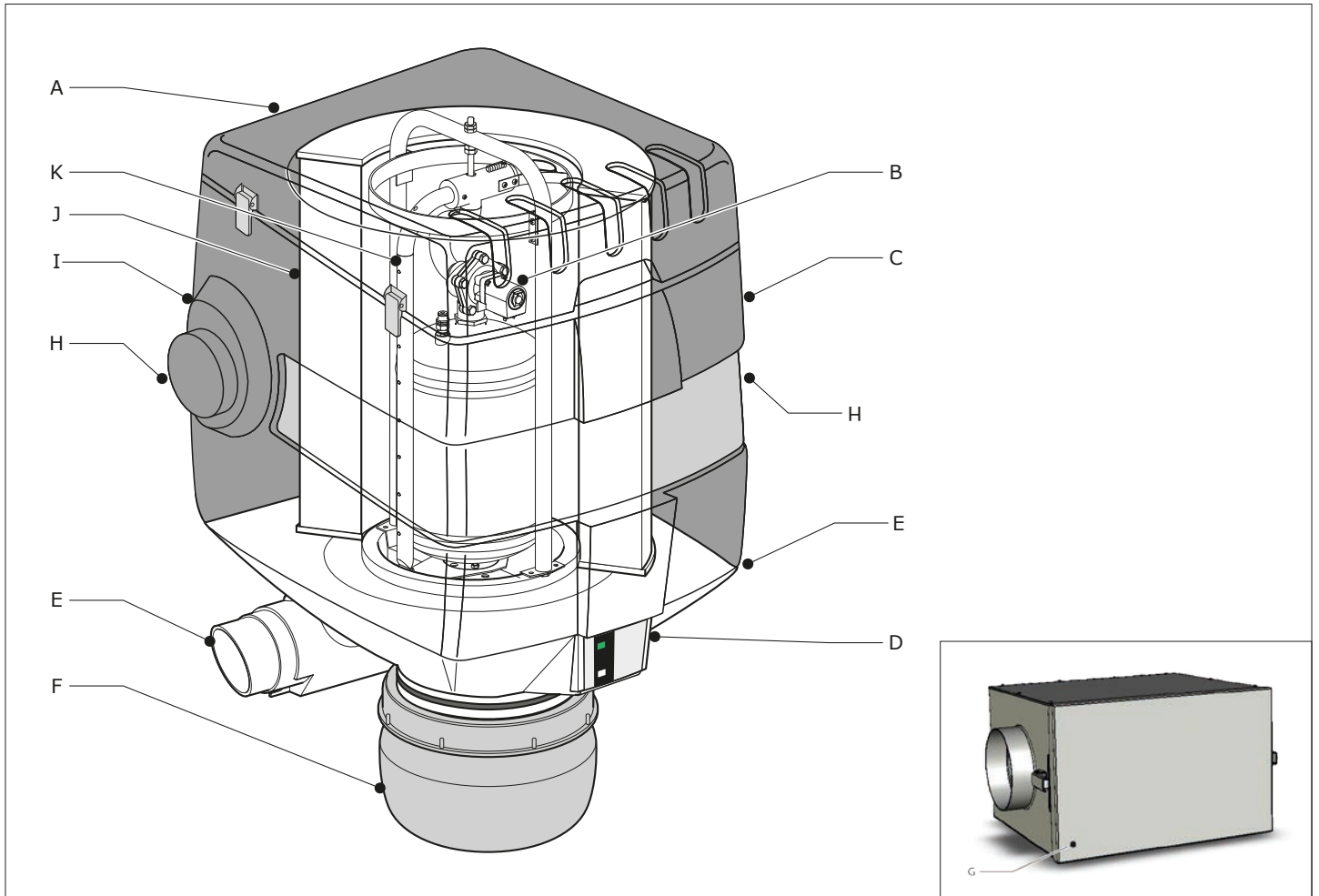


Fig. 3.1

4 INSTALLATION

4.1 Auspacken

- Überprüfen Sie, ob das Produkt vollständig ist. Die Verpackung enthält folgendes:
 - Schweißrauchfilter (Statiflex 400-MS)
 - Wandkonsole
 - Stromversorgungskabel (NCW-11)
 - Anschlussverschraubung (PG-7)
 - Schaltplan
 - Vorfilterbox

Falls Teile des Inhalts fehlen oder beschädigt sind, wenden Sie sich bitte an Ihren Händler.

4.2 Montage



VORSICHT!

Der selbstreinigende Schweißrauchfilter funktioniert nur, wenn schädlicher Rauch und schädliche Stoffen in den Filter **geblasen** werden. Schließen Sie das Statiflex 400-MS daher nie an die Ansaugöffnung des Ansaugventilators an. Der Schweißrauchfilter wurde für den Einsatz in Konfigurationen mit lediglich einem **einzigen** Absaugarm und einem **einzigen** Absaugventilator (SF 2400) entworfen. Schließen Sie das Statiflex 400-MS daher nie an mehrere Absaugarme oder mehrere Absaugventilatoren an. Schließen Sie das Statiflex 400-MS ausschließlich an den empfohlenen Schaltkasten (CB) an.



Montieren Sie das Statiflex 400-MS (Fig. 4.1 C) so, dass die Einblasöffnung (Fig. 4.1 B) waagrecht mit der Ausblasöffnung (Fig. 4.1 D) des Absaugventilators fluchtet. In der Standardaufstellung steht das Statiflex 400-MS rechts vom Absaugventilator (Fig. 4.1 A). Siehe Fig. 4.2 für die empfohlene Höhe der Wandkonsole. Hinweise zur Montage der Wandkonsolen (LMB oder TMB) (Fig. 4.1 E) und des Absaugventilators entnehmen Sie bitte den betreffenden Anleitungen.



VORSICHT!

Kontrollieren Sie -vor der Montage der Wandkonsole (Fig. 4.2 A)-, ob die Tragkraft der Wand ausreicht. Das Nettogewicht des Statiflex 400-MS beträgt ca. 85 kg. Achten Sie beim Bohren auf möglicherweise vorhandene Gas-, Wasser- und Elektrizitätsleitungen. Stellen Sie das Statiflex 400-MS nicht an einer Stelle auf, an der es Schwingungen oder Wärmestrahlung von Wärmequellen ausgesetzt ist. Beachten Sie die oben aufgeführten Umgebungsbedingungen.

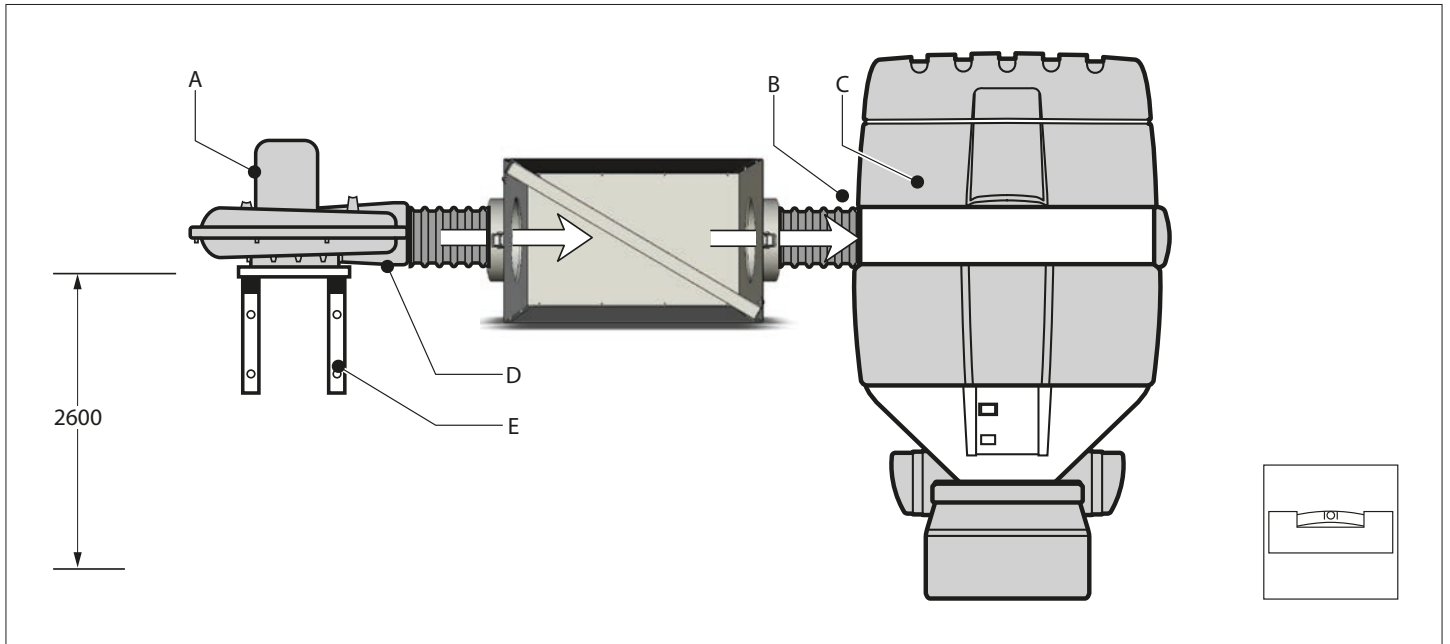


Fig. 4.1

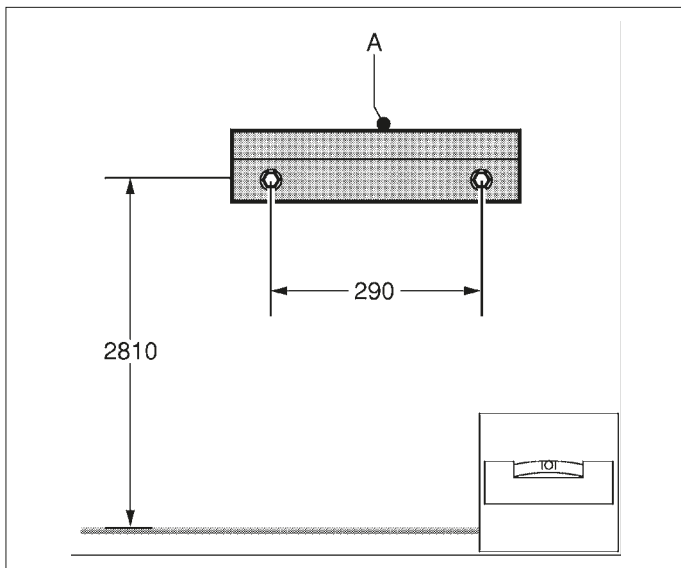


Fig. 4.2

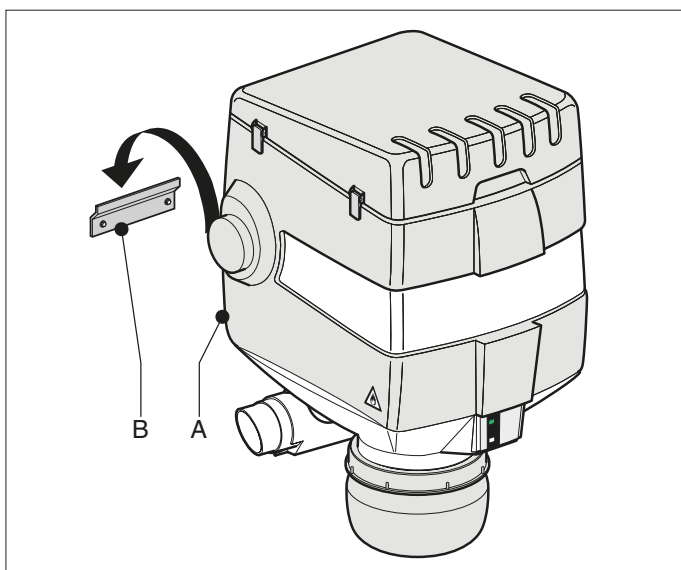


Fig. 4.3

4.2.1 Installation

- Montieren Sie die Wandkonsole (Fig. 4.2 A). Siehe Fig. 4.2 für die empfohlene Höhe und die Bohrmaße. Die aufgeführte empfohlene Höhe gilt, wenn der Absaugarm in 2.600 mm montiert wird und das Statiflex 400-MS waagrecht mit der Ausblasöffnung des Absaugventilators fluchtet. Sorgen Sie für ausreichenden Platz über dem Filter (mindestens 700 mm), da beim Auswechseln des Filters die Filterhaube ausgebaut werden muss.
- Schließen Sie das gesamte Statiflex 400-MS (Fig. 4.3 A) über die Wandkonsole (Fig. 4.3 B).
- Montieren Sie dann auf der Einblasöffnung des Statiflex 400-MS wahlweise:
 - ein Spiralrohr (\varnothing 160 mm), über das T-Profil;
 - einen KKS (flexiblen Absaugschlauch [\varnothing 160 mm] mit zwei Schlauchschellen).
- Sägen Sie eine **oder beide** Ausblasöffnungen auf der Filterhaube des Statiflex 400-MS auf (sie befinden sich in den Öffnungen des Staubfasses) und schließen Sie die Ausblasöffnung bzw. -öffnungen bei Bedarf an eine Kanalanlage an.
- Kontrollieren Sie, ob die gesamte Absauganlage luftdicht ist. Wenn das Recyclen der Luft nicht zulässig ist, schließen Sie die Ausblasöffnung an eine Kanalanlage an, die die Luft nach draußen abführt.
- Sichern Sie zum Schluss das gesamte Statiflex 400-MS z.B. mit Hilfe zweier Schrauben in den schlitzförmigen Aussparungen im Filtergehäuse. Dies ist notwendig.



Vorfilterbox installieren

Für eine Installation der Vorfilterbox siehe die entsprechende Montageanleitung.

4.2.2 Elektrische Anschluss


Die 24-VAC-Stromversorgung für das Statiflex 400-MS kommt vom CB Schaltkasten. Ein entsprechendes Stromversorgungskabel (NCW-11) und eine Anschlussverschraubung (PG-7) gehören zum Lieferumfang. Montieren Sie die Anschlussverschraubung in den CB-Schaltkasten.

- Schließen Sie das NCW-11 an den dreipoligen Anschlussblock an der Rückseite des Statiflex 400-MS und an den CB an (siehe die betreffende Anleitung).

| | |
|--|--|
|  | WARNUNG Verhindern Sie Beschädigungen. Beachten Sie beim Anschließen des Kabels die Farbkodierung. |
|  | WARNUNG Schalten Sie die Netzspannung des CBs AUS, bevor Sie das NCW-11 anschließen. |

4.2.3 Druckluftanschluss

Das Reinigungssystem arbeitet mit Druckluft mit einem empfohlenen Arbeitsdruck von 400-500 kPa (4-5 bar). Achten Sie darauf, dass der Arbeitsdruck immer zwischen 400-500 kPa (4-5 bar) liegt. Der Druck sollte vorzugsweise 450 kPa (4,5 bar) betragen. Montieren Sie erforderlichenfalls ein Drosselventil, um zu verhindern, dass das Sicherheitsventil betätigt wird.

| | |
|--|---|
|  | WARNUNG Verhindern Sie Beschädigungen am Reinigungssystem. Sorgen Sie dafür, dass die Druckluft frei ist von Öl und Feuchtigkeit. |
|--|---|

- Schließen Sie den Druckluftschlauch an die Anschlussmutter (1/4" Innengew.) an der Rückseite des Statiflex 400-MS an.

5 BETRIEB

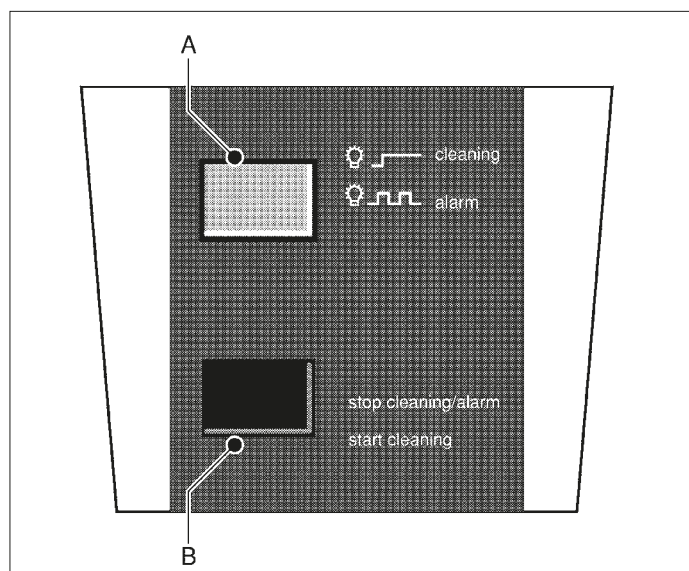



Fig. 5.1

| | |
|--|---|
|  | VORSICHT! Lesen Sie sich vor dem Betrieb die Sicherheitshinweise gründlich durch. Bestimmen Sie anhand der örtlich gelten den Bestimmungen und des verwendeten Schweißprozesses, ob das Recyceln der Luft zulässig ist. |
|--|---|

5.1 Bedienelemente

Auf dem Bedienfeld befinden sich folgende Bedienelemente (siehe Fig. 5.1):

Fig. 4.1:

- A Kontrollleuchte (gelb)
Wenn die Kontrollleuchte brennt ("CLEANING"), bedeutet dies, dass der (Selbst-)Reinigungsprozess im Statiflex 400-MS läuft. Wenn die Kontrollleuchte blinkt ("ALARM"), bedeutet dies, dass der Filter gesättigt ist und nicht gereinigt werden kann, oder dass der Druck nicht ausreicht, um den Filter zu reinigen.

- B Rückstell-/Startknopf
Schwarzer Knopf zum Ein- und Ausschalten des Reinigungssystems im Handbetrieb ("START CLEANING" bzw. "STOP CLEANING/ALARM").

5.2 Bedienung

Die folgenden Prozesse gelten auch in Kombination mit einer WL und einer AST (sofern aktiviert).

5.2.1 Normaler Betrieb

Während des normalen Betriebs (d.h. bei einem sauberen, nicht gesättigten Filter) arbeitet das Statiflex 400-MS absolut selbständig; der eingeschaltete Absaugventilator bläst Rauch und Stoffe, die bei den Schweißarbeiten freigesetzt werden, in den Filter. Sobald -dadurch, dass der Filter verschmutzt ist- der Mindest-Luftstrom erreicht ist, aktiviert ein Differenzdruckschalter das RoboClean Druckluft-Reinigungssystem, das dann den Filter mittels abschnittsweise gesteuerter Druckluftstöße (3x) reinigt. Die Staub- und Schmutzteilchen fallen dadurch in das Staubfass. Während dieses (Selbst-)Reinigungsprozesses leuchtet die Kontrolleuchte auf und erlischt wieder nach dem Reinigung. Der Ventilator läuft dabei weiter.

5.2.2 Sättigung des Systems

Wenn der Filter -nach 10 vom Statiflex 400-MS selbst eingeleiteten Versuchen-, nicht mehr gereinigt werden kann, beginnt die Kontrolleuchte zu blinken. Die Arbeit braucht nicht unterbrochen zu werden, da der Absaugventilator weiterhin funktionieren kann. Wenn die Kontrolleuchte blinkt, bedeutet dies häufig, dass der Filter gesättigt ist. Siehe auch Kapitel 7.

- Schalten Sie die blinkende Kontrolleuchte aus, indem Sie den Rückstell-/Startknopf drücken.
- Wechseln Sie den Filter bzw. entleeren Sie das Staubfass (siehe Kapitel 6).

5.2.3 Handbetrieb



VORSICHT!



Benutzen Sie den Handbetrieb NIE während der ersten 10 Netto-Betriebsstunden; die Filtereffizienz würde dadurch verringert.

Mit dem schwarzen Rückstell-/Startknopf lässt sich das Reinigungssystem im Handbetrieb ein- und ausschalten. Beim Einschalten ("START CLEANING") wird bzw. bleibt der Absaugventilator eingeschaltet und die Kontrolleuchte leuchtet während des gesamten Reinigungszyklus unterbrochen (ca. 40-50 Min. = 40 Druckluftstöße). Der Reinigungsprozess kann zu jedem beliebigen Zeitpunkt ausgeschaltet werden, indem der Rückstell-/Startknopf erneut gedrückt wird ("STOP CLEANING/ ALARM"). Das Reinigungssystem geht zum normalen Betrieb.

6 WARTUNG

Das Produkt wurde so entworfen, dass es bei minimalem Wartungsaufwand langfristig störungsfrei funktioniert. Damit dies gewährleistet ist, müssen jedoch einige einfache, regelmäßig auszuführende Wartungs- und Reinigungsarbeiten durchgeführt werden, die in diesem Kapitel beschrieben werden. Sofern Sie mit der gebotenen Vorsicht vorgehen und die Wartungsarbeiten regelmäßig durchführen, werden mögliche Störungen meistens entdeckt und können korrigiert werden, bevor sie zum Stillstand führen.

Die angegebenen Wartungsintervalle hängen von den jeweiligen Arbeits- und Betriebsbedingungen ab. Daher wird -zusätzlich zu der in dieser Anleitung angegebenen regelmäßigen Wartung- empfohlen, das Produkt einmal pro Jahr einer gründlichen Gesamtinspektion zu unterziehen. Wenden Sie sich zu diesem Zweck an Ihren Händler.


| | |
|--|--|
|  | WARNUNG Überfällige Wartung kann Feuer verursachen. |
|  | WARNUNG Schalten Sie den angeschlossenen Absaugventilator immer AUS, bevor Sie mit den folgenden Arbeiten beginnen. Lesen Sie zunächst die Wartungsanweisungen vorn in dieser Anleitung. |

6.1 Regelmäßige Wartung

Die mit einer [¹] gekennzeichneten Wartungsarbeiten in der folgenden Tabelle dürfen vom Benutzer durchgeführt werden; die übrigen Arbeiten sind Fachkräften vorbehalten.

| Tätigkeit | 1-3 Monate | alle 3 Monate | alle 6 Monate |
|---|------------|---------------|---------------|
| Stahlmaschenfilter der Vorfilterbox auf Beschädigung, Verstopfung und Sättigung überprüfen. Falls Filter beschädigt, verstopft oder gesättigt ist, siehe Abschnitt 6.2.2. | X[¹] | | |
| Innenseite der Vorfilterbox mit einem Industriestaubsauger reinigen. | X[¹] | | |
| Reinigen Sie das Äußere mit einem milden Reinigungsmittel. | | | X[¹] |
| Reinigen Sie das Innere mit einem Industrie- Staubsauger und entfernen Sie den Staub aus dem Filterkompartiment. | | X[¹] | |
| Kontrollieren Sie den Filter auf Beschädigung, Verschmutzung und Sättigung. | X[¹] | | |
| Kontrollieren Sie -im Handbetrieb- die einwandfreie Funktion des Reinigungssystems (Herumdrehen, Undichtigkeiten). | | | X |
| Kontrollieren Sie, ob das Staubfass voll ist. | X[¹] | | |

6.2 Filter bzw. Stahlmaschenfilter der Vorfilterbox austauschen und/oder Staubfass leeren

| | |
|--|---|
|  | WARNUNG Ein voller Filter bzw. Staubfass enthält oft Staub- und Schmutzteilchen, die sich schädlich auf die Gesundheit auswirken können, wenn sie eingeatmet werden. Tragen Sie daher beim Auswechseln des Filters bzw. des Staubfasses eine gute geprüfte Atemschutzmaske. Verpacken Sie das Teil bzw. die Teile in einen gut abschließenden Plastikbeutel und entsorgen Sie sie gemäß den örtlichen Bestimmungen. |
|--|---|

6.2.1 Filter

Wechseln Sie den Filter aus,

- wenn er beschädigt ist;
- sobald die Absaugleistung nicht mehr ausreicht;
- sobald die Kontrollleuchte nicht mehr aufhört zu blinken, während der Reinigungsmechanismus funktioniert.

Da die Lebensdauer des Filters stark von Umständen wie z.B. der Zusammensetzung des Schweißrauches, dem

Feuchtigkeitsgrad usw. abhängt, ist das Feststellen des Auswechsel-Zeitpunktes überwiegend eine Sache der Erfahrung. Gehen Sie folgendermaßen vor:

- Nehmen Sie die Filterhaube (Fig. 6.1 A) ab, indem Sie den Sternknopf lösen und die vier Bügelverschlüsse abnehmen.
- Nehmen Sie den Filter (Fig. 6.1 B) heraus. Es wird empfohlen, das Filterkompartiment mit einem Industrie-Staubsauger zu reinigen.
- Setzen Sie den neuen Filter ein und montieren Sie die Filterhaube.

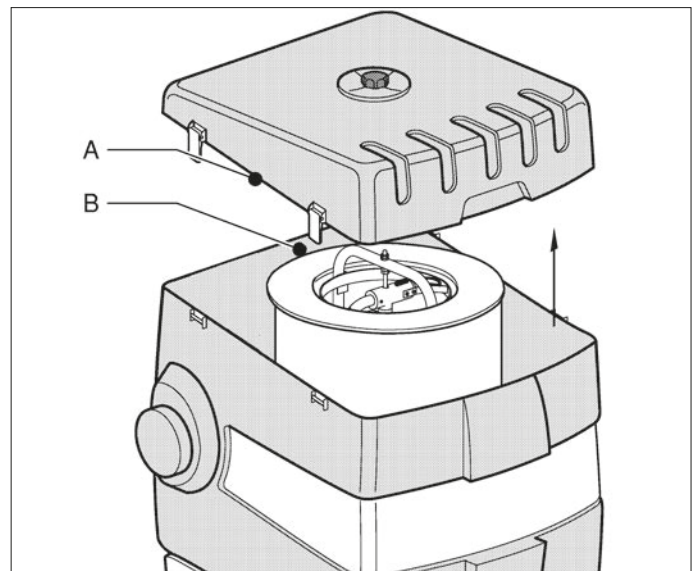


Fig. 6.1

6.2.2 Vorfilterbox

Stahlmaschenfilter austauschen:

- Bei Verstopfung, Sättigung oder wenn dieser sich nicht mehr mit einem Staubsauger reinigen lässt, oder
- bei Beschädigung.



Bei Beschädigung des Stahlmaschenfilters wird ebenfalls ein Austausch der Filterpatrone empfohlen.

Vorgehensweise für Austausch des Stahlmaschenfilters:

- Die beiden Befestigungsclips lösen und Filterabdeckung entfernen.
- Stahlmaschenfilter entfernen.
- Falls gesetzliche Auflagen oder Richtlinien dies erfordern, ausgebauten Vorfilter in einem geeigneten Behälter, z. B. in einer Plastiktüte, unterbringen.



Ersatzfilter werden verpackt in einer Plastiktüte ausgeliefert. Diese Plastiktüte kann zum Verpacken und zur Entsorgung des gebrauchten Vorfilters verwendet werden.

- Innenseite der Vorfilterbox mit einem Industriestaubsauger reinigen.
- Neuen Stahlmaschenfilter installieren.
- Filterabdeckung austauschen und die beiden Befestigungsclips wieder verriegeln.

6.2.3 Staubfass

Entleeren Sie das Staubfass (Fig. 6.2):

- wenn es voll ist;
- jeweils, wenn Sie den Filter austauschen.

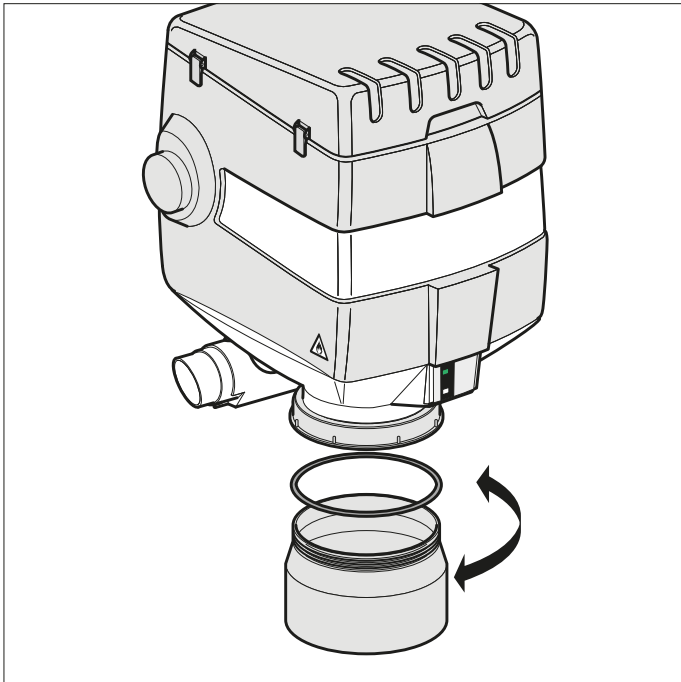


Fig. 6.2

7 FEHLERBEHEBUNG

- Wenn das Produkt nicht oder nicht ordnungsgemäß funktioniert, dann können Sie möglicherweise anhand der folgenden Checkliste die Störung selbst beheben. Wenn dies nicht der Fall ist, wenden Sie sich bitte an Ihren Händler.

| | |
|--|---|
| | <p>WARNUNG</p> <p>Schalten Sie den angeschlossenen Absaugventilator und den Schaltkasten (CB) immer AUS, bevor Sie mit den folgenden Arbeiten beginnen. Lesen Sie zunächst die Reparaturanweisungen vorn in dieser Anleitung.</p> |
| | <p>Eine Reihe von Störungen in der untenstehenden Checkliste kann auch durch Defekte in angeschlossenen Geräten entstanden sein. Diese Anleitung behandelt jedoch ausschließlich diejenigen Ursachen und Lösungsvorschläge, die sich auf das Produkt selbst beziehen.</p> |

| Störung | Mögliche Ursache | Lösung |
|--|--|---|
| Unzureichende Absaugleistung. | Drehrichtung des Absaugventilators verkehrt. | Drehrichtung ändern. Siehe die betreffende Anleitung. |
| | Filter verschmutzt oder gesättigt. | Wechseln Sie den Filter aus. |
| | Stahlmaschenfilter der Vorfilterbox ist verstopft. | Stahlmaschenfilter reinigen (siehe Abschnitt 6.1) oder austauschen (siehe Abschnitt 6.2.2). |
| | Reinigungsmechanismus defekt. | Reparieren Sie den Reinigungsmechanismus. |
| Staub oder Rauch tritt aus der Ausblasöffnung aus. | Filter gerissen oder falsch eingesetzt. | Wechseln Sie den Filter aus oder setzen Sie ihn richtig ein. |
| | Auslass (bzw. Auslässe) sind blockiert. | Hindernisse von der/den Ausblasöffnung(en) und/oder dem angeschlossenen Rohrleitungssystem entfernen. |
| Staub oder Rauch von der Ansaugöffnung. | Verstopfte Filterpatrone. | Filterpatrone ersetzen (siehe 6.2.1). |
| | Stahlmaschenfilter der Vorfilterbox ist verstopft. | Stahlmaschenfilter reinigen (siehe Abschnitt 6.1) oder austauschen (siehe Abschnitt 6.2.2). |
| Rauch oder Staub aus dem Staubfass. | Abdichtung des Staubfasses undicht. | Wechseln Sie die Abdichtung des Staubfasses aus. |
| Kontrolleuchte leuchtet nicht mehr. | Kontrolleuchte defekt. | Wechseln Sie die Kontrolleuchte aus. |
| | Steuerplatine defekt. | Wechseln Sie die Steuerplatine aus. |
| | 24-VAC-Stromversorgung defekt. | Reparieren Sie die 24 VAC Stromversorgung. |
| Kontrolleuchte hört nicht auf zu blinken. | Filter gesättigt. | Auswechseln. Siehe Kapitel 6. |
| | Reinigungssystem defekt: | |
| | 24-VAC-Magnetventil defekt. | Wechseln Sie die Magnetspule oder die Membran aus |
| | Steuerplatine defekt. | Wechseln Sie die Steuerplatine aus. |
| | Reinigungsmechanismus defekt oder abgenutzt. | Wechseln Sie den Reinigungsmechanismus aus. |
| | Keine oder zu niedrige Druckluft. | Kontrollieren Sie die Druckluftanlage bzw. den Druckluftanschluss. |
| | Differenzdruckschalter defekt. | Wechseln Sie den Differenzdruckschalter aus. |
| Statiflex 400-MS reagiert nicht mehr auf das Drücken des Rückstell-/Startknopfs. | Rückstell-/Startknopf defekt. | Wechseln Sie den Rückstell-/Startknopf aus. |
| | Steuerplatine defekt. | Wechseln Sie die Steuerplatine aus. |
| | 24-VAC-Stromversorgung defekt. | Reparieren Sie die 24-VAC-Stromversorgung. |

8 ERSATZTEILE

Die nachfolgenden Ersatzteile sind für das Produkt erhältlich (siehe Fig. I auf Seite 38).

- Sie Ihre Bestellung an Ihren Händler und machen Sie dabei immer folgende Angaben:
 - Produktname, Anschlussspannung und Seriennummer (siehe das Typenschild);
 - Artikelnummer des betreffenden Teils;
 - Bezeichnung;
 - Menge.

| Art. Nr. | Beschreibung |
|------------|---|
| 0042000040 | Membranventil |
| 0046030010 | Überdruckventil 6-10 bar |
| 0324150120 | Kontrolleuchte 28V, gelb |
| 0326701020 | Steuerplatine Mobiflex 400-MS/Statiflex 400-MS |
| 0328290010 | Reset-/Startschalter |
| 0401102030 | Abdichtungsring |
| 0690150070 | Verschluss Statiflex 200-M/Statiflex 400-MS |
| 0806010160 | Handgriff Fas Statiflex 400-MS |
| 0806014020 | Sternknopf M8 |
| 0809040040 | Abdichtdeckel Ø 160 mm |
| 0810100050 | Abdichtung Membranventil |
| 9822010010 | Abdichtgummi Statiflex 200-M/Statiflex 400-MS (2,5 m) |
| 9824000030 | Differenzdruckschalter Statiflex 400-MS (670 Pa) |
| 9824000090 | Kolbengehäuse Mobiflex 400-MS/Statiflex 400-MS/Statiflex 6000-MS |
| 9850060110 | LongLife Filter FCC-30 |
| 9850060120 | Fass 15L für Filtrückstand Statiflex 400-MS (zur Wiederverwendung) |
| 0102080110 | Funkenfänger Mobiflex 400-MS/Statiflex 400-MS (HD) (nicht abgebildet) |

9 ENTSORGUNG

Das Produkt am Ende der Gebrauchsdauer gemäß den örtlich geltenden Vorschriften und/oder Richtlinien entsorgen.

EG KONFORMITÄTSERKLÄRUNG

EG-Konformitätserklärung

Wir, Plymovent Manufacturing B.V., Wezelkoog 11, 1822 BL Alkmaar, die Niederlande, erklären hiermit eigenverantwortlich dass das Produkt/die Produkte:

- Statiflex 400-MS

worauf sich diese Erklärung bezieht, hergestellt ist/sind gemäß der Bestimmungen der folgenden Richtlinien:

- Richtlinie für Maschinen 2006/42 EC
- EMC 2004/108 EC

und die folgenden harmonisierten Normen und/oder angewandte technische Dokumente + eventuellen Amendemente entspricht/entsprechen:

- EN-ISO 12100:2010 (Sicherheit von Maschinen)
- EN-ISO 13857:2008 (Sicherheitsabstände)
- EN-IEC 60204-1:2006 (Elektrische Sicherheit)

Alkmaar, die Niederlande, den 6. November 2012



Ir. F. Coehoorn
Vice President Research & Development

Eine Anlage ist laut Definition eine Kombination aus verschiedenen Fertigfabrikaten oder Komponenten, die von einem Errichter an einem bestimmten Ort zusammengebaut werden. Die unterschiedlichen Komponenten der Anlage sind für einen gemeinsamen Betrieb in einer bestimmten Betriebsumgebung bestimmt und haben eine spezifische Aufgabe zu erfüllen. Die gesamte Anlage muss sich in Übereinstimmung mit den entsprechenden Richtlinien und Normen befinden. Die vom Hersteller vorgeschriebenen Montageanweisungen müssen sich, wie auch die gesamten Installationsverfahren, in Übereinstimmung mit den im Rahmen der Installation gültigen Regeln der Technik und der Installationsvorschriften befinden. Unter Einbeziehung des obenstehend Genannten ist der Errichter für die Fertigstellung der Anlage und für Ausgabe der endgültigen CE-Konformitätserklärung verantwortlich.

AVANT-PROPOS

Utilisation du manuel

Le présent manuel servira d'ouvrage de référence qui permettra aux utilisateurs professionnels, instruits et autorisés en ce sens, d'installer, utiliser, entretenir et réparer en toute sécurité le produit figurant en première page de couverture de ce document.

Pictogrammes et symboles

Dans ce **manuel**, il est fait usage des pictogrammes et symboles suivants :

| | |
|--|---|
|  | Suggestions et conseils en vue de faciliter l'exécution des divers travaux ou manipulations. |
|  | ATTENTION Procédures qui, à défaut d'être exécutées avec les précautions nécessaires, peuvent occasionner l'endommagement du produit, de l'atelier ou de l'environnement. |
|  | MISE EN GARDE Procédures qui, à défaut d'être exécutées avec les précautions nécessaires, peuvent occasionner un endommagement sévère du produit ou une lésion corporelle. |
|  | MISE EN GARDE Risque de feu! N'utilisez jamais le produit à des fins d'extraction et/ou de filtration de particules ou de substances (liquides) inflammables, incandescentes ou brûlantes. N'utilisez jamais le produit à des fins d'extraction et/ou de filtration de vapeurs agressives (l'acide chlorhydrique entre autres) ou de particules coupantes. |
|  | MISE EN GARDE Risque de tension électrique. |

Service et assistance technique

Pour toute information concernant des réglages spécifiques, des travaux d'entretien et de réparation qui sortent du cadre de ce manuel, veuillez prendre contact avec le fournisseur du produit. Ce fournisseur est toujours disposé à vous aider. Assurez-vous que vous disposez des données suivantes :

- nom du produit
- numéro de série

Vous trouverez ces données sur la plaque d'identification.

1 INSTRUCTIONS DE SÉCURITÉ

Généralités

Le fabricant décline toute responsabilité en cas de dommage ou de lésion corporelle résultant de la non observation (stricte) des consignes de sécurité et des instructions de ce manuel, ou de négligence durant l'installation, l'utilisation, l'entretien et la réparation du produit figurant en première page de couverture de ce document et des éventuels accessoires correspondants. En fonction des conditions de travail spécifiques ou des accessoires employés, il est possible que des consignes de sécurité complémentaires s'imposent. Veuillez prendre immédiatement contact avec votre fournisseur si vous constatez un risque potentiel lors d'emploi du produit.

L'utilisateur du produit est en tout temps entièrement responsable du respect des consignes et directives de sécurité locales en vigueur.
Respectez toutes les consignes et directives de sécurité qui s'appliquent à la manipulation des postes de soudure.

Manuel opérateur

- Toute personne qui travaille sur ou avec le produit est tenue de prendre connaissance de ce manuel et d'en observer scrupuleusement les instructions. La direction de l'entreprise doit instruire le personnel sur la base du manuel et de prendre en considération toutes les instructions et indications.
- Ne modifiez jamais l'ordre des opérations à effectuer.
- Conservez le manuel constamment à proximité du produit.

Pictogrammes et instructions sur le produit (s'ils sont présents)

- Pictogrammes, mises en garde et instructions apposés sur le produit font partie intégrante des dispositifs de sécurité. Ils ne doivent être ni recouverts ni enlevés et doivent être présents et lisibles durant toute la vie du produit.
- Pictogrammes, mises en garde et instructions illisibles ou endommagés doivent être immédiatement changés ou réparés.

Opérateurs

L'utilisation du produit est réservée exclusivement aux opérateurs instruits et autorisés en ce sens. Intérimaires et personnes en formation ne doivent utiliser le produit que sous la supervision et la responsabilité d'un professionnel.

Emploi conforme à la destination¹

Le produit a été conçu exclusivement pour filtrer les fumées et substances nocives qui se dégagent lors des opérations de soudure les plus courantes, sous réserve expresse que ces fumées et substances ne doivent être amenées qu'avec un seul bras d'extraction et l'usage d'un seul ventilateur d'évacuation (SF 2400). Tout autre usage est considéré comme non conforme à la destination du produit. Le fabricant décline toute responsabilité en cas de dommage ou de lésion corporelle résultant de cet autre usage. Le produit est en conformité avec les normes et directives en vigueur. Utilisez le produit uniquement s'il se trouve en parfait état technique, conformément à la destination sus-décrite.

Spécifications techniques

Les spécifications indiquées dans ce manuel ne doivent pas être modifiées.

Dispositifs de sécurité


- Tous les dispositifs de sécurité doivent être correctement montés et ne doivent être retirés qu'aux fins de travaux d'entretien et de réparation par des techniciens de maintenance formés et autorisés en ce sens.
- Le produit ne doit jamais servir si les dispositifs de sécurité ne sont pas complets ou présents, s'ils ont été mis hors service ou s'ils sont tombés en panne.
- Les dispositifs de sécurité doivent être régulièrement contrôlés quant à leur fonctionnement correct et, si nécessaire, immédiatement réparés.

Modifications

La modification du produit ou des composants n'est pas autorisée.

1. "Emploi conforme à la destination" tel arrêté dans la norme EN-ISO 12100 est l'usage pour lequel le produit technique est approprié d'après la spécification du fabricant- inclusivement ses indications dans la brochure de vente. En cas de doute, c'est l'usage que l'on peut normalement déduire de la construction, du modèle et de la fonction du produit. L'emploi conforme à la destination suppose également le respect des instructions du manuel opérateur.


Utilisation

| | |
|--|---|
|  | MIS EN GARDE Risque de feu! N'utilisez jamais le produit à des fins de filtration de particules et de substances (liquides) inflammables, incandescentes ou brûlantes. N'utilisez jamais le produit à des fins d'extraction de vapeurs agressives (l'acide chlorhydrique entre autres) ou de particules coupantes. |
|--|---|

- Inspectez le produit et assurez-vous qu'il n'est pas endommagé. Vérifiez le fonctionnement des dispositifs de sécurité.
- Contrôlez la zone de travail. Interdisez l'accès de cette zone aux personnes non autorisées.
- Protégez le produit contre l'eau et l'humidité.
- Faites usage de votre bon sens. Soyez constamment vigilant et concentrez-vous sur votre travail. N'utilisez pas le produit si vous êtes fatigués ou sous l'influence de drogues, d'alcool ou de médicaments.
- Assurez toujours une aération suffisante, notamment dans les petits locaux.
- N'installez jamais le produit aux entrées, sorties et passages destinés aux services de secours.
- Assurez-vous de la présence d'un nombre suffisant d'extincteurs homologués dans l'atelier.
- Le filtre autonettoyant des fumées de soudure ne fonctionne que si les fumées et substances nocives sont insufflées dans le filtre par un ventilateur d'évacuation. Il ne faut donc jamais raccorder le Statiflex 400-MS à l'orifice d'extraction du ventilateur d'évacuation.
- Raccordez le Statiflex 400-MS uniquement à la boîte de jonction recommandée (CB).
- Le filtre autonettoyant de fumées de soudure a été conçu afin de servir dans une configuration comprenant **un** seul bras d'extraction et **un** seul ventilateur d'évacuation (SF 2400). Il ne faut donc jamais raccorder le Statiflex 400-MS à plusieurs bras d'extraction ou à plusieurs ventilateurs d'évacuation.
- Proscrivez le recyclage de l'air contenant des éléments dangereux pour la santé - chrome, nickel, béryllium, cadmium, plomb etc. Cet air doit toujours être évacué en dehors de l'atelier.
- Le produit est capable d'évacuer et/ou de filtrer les vapeurs qui se dégagent lors des procédés de soudage suivants :
 - MIG/MAG fil massif (GMAW) ;
 - MIG/MAG fil fourré (FCAW) ;
 - Soudage électrique (MMA ou SMAW) ;
 - Soudage TIG (GTAW) ;
 - Soudage autogène.
- Le produit ne doit jamais servir à l'extraction de particules de poussière qui se dégagent des travaux de soudage sur des surfaces traitées avec une peinture primaire.
- Le produit ne doit jamais servir à l'évacuation et/ou la filtration :
 - de vapeurs formées lors du gougeage ;
 - de vapeurs d'huile ;
 - de vapeurs de peinture ;
 - de vapeurs d'huile lourde dans les vapeurs de soudage ;
 - de vapeurs chaudes (d'une température dépassant les 40°C/104°F continuellement) ;
 - de vapeurs agressives (telles que les acides) ;
 - de vapeurs formées lors de coupage par plasma ;
 - de particules abrasives d'aluminium ou de magnésium ;
 - de projection à la flamme ;
 - de ciment, sciure ou poussière de bois ;
 - de cigarettes brûlantes, cigares, linges à l'huile et autres particules, objets et acides brûlants ;
 - lors de situations connaissant un danger d'explosion.(Cette liste n'est pas exhaustive.)
- Ne mettez jamais le produit en service sans la boîte de préfiltre et le filtre.

- Après avoir coupé le moteur du ventilateur d'évacuation connecté, attendez 10 secondes environ avant de démonter le filtre.

Service, entretien et réparations

| | |
|---|--|
|  | Dans ce manuel, une nette distinction est faite entre les travaux de service, d'entretien et de réparation que l'utilisateur peut entreprendre et qui sont réservés exclusivement aux techniciens de maintenance formés et autorisés en ce sens. |
|---|--|

- Respectez le calendrier de maintenance indiqué. Un report des travaux de maintenance peut se traduire par des surcoûts de réparation et de révision et entraîner l'annulation de la garantie.
- Utilisez toujours des outils, pièces, matériaux, lubrifiants et techniques d'entretien et de réparation approuvés par le fabricant. Proscrivez l'usage d'outils usés et n'abandonnez aucun outil dans ou sur le produit.
- Les dispositifs de sécurité que vous retirez à des fins de service, d'entretien ou de réparation, doivent être remis en place immédiatement et leur fonctionnement correct contrôlé.
- Nettoyez périodiquement et l'intérieur de la caisse.
- Remplacez les filtres à temps.
- Videz le bac ou le tonneau à poussière bien à temps.
- N'utiliser jamais le capot de filtre comme table de travail ou support de sondage.

2 SPÉCIFICATIONS TECHNIQUES


2.1 Identification du produit

La plaque d'identification comporte les données suivantes :

- numéro de série
- nom du produit
- puissance
- tension d'alimentation

2.2 Généralités

| | |
|-------------------------------------|---|
| Poids net | 85 kg (187.4 lbs) |
| Débit d'extraction | 1.100 m ³ /h (647 CFM) |
| Surface filtrante | 30 m (325 ft ²) |
| Rendement du filtre selon DIN 24185 | EU 7-9 |
| Consommation d'air comprimé | max. 60 nl/min. (2 SCFM) (en fonction du degré d'encrassement du filtre) |

| | |
|---|--|
|  | Le débit d'extraction mentionné s'applique à un Statiflex 400-MS raccordé à un ventilateur SF 2400 et doté d'un filtre propre et d'un canal d'air de 1 m (3.3 ft) de long (Ø 160 mm). La combinaison ventilateur d'évacuation (SF 2400) - filtre de fumées de soudure (Statiflex 400-MS) connaît des limites concernant le maximum de système de canalisation d'air à raccorder. A cet effet, contactez d'abord votre fournisseur. |
|---|--|

2.3 Dimensions

Voir Fig. 2.1.

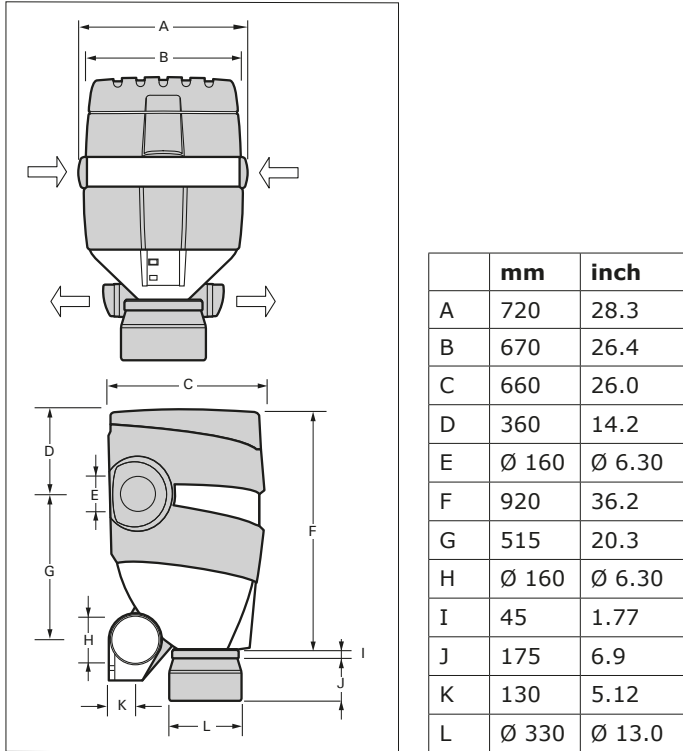


Fig. 2.1

2.4 Chute de pression

Voir Fig. 2.2.

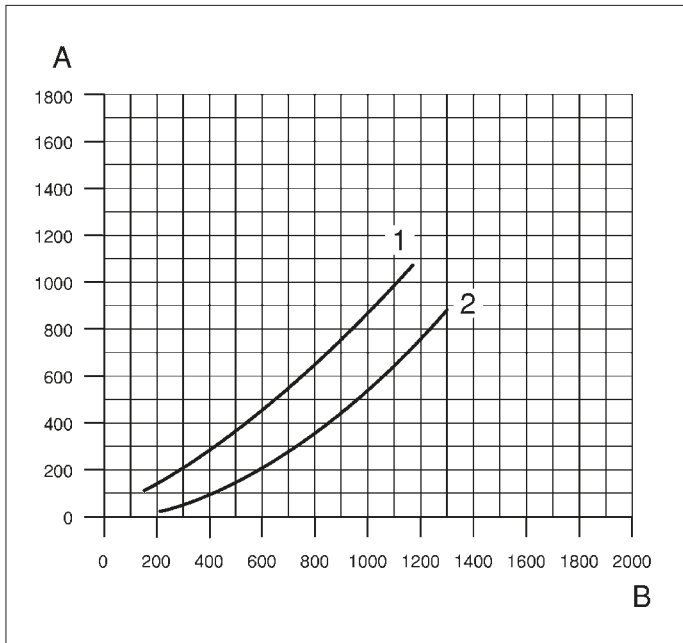


Fig. 2.2

- A Pression statique (Pa)
- B Ecoulement d'air (m³/h)
- 1 Filtre encrassé
- 2 Filtre propre

2.5 Condition ambiantes

| | |
|------------------------------------|--------------|
| Température de fonctionnement min. | 5°C (41°F) |
| Température de fonctionnement max. | 45°C (113°F) |
| Humidité relative max. | 80% |

3 DESCRIPTION GÉNÉRALE

3.1 Description générale

Ce produit a été spécialement conçu pour la filtration de fumées et substances nocives qui se dégagent lors des opérations de soudure les plus courantes. A cet effet, le Statiflex 400-MS est généralement intégré dans des configurations qui, outre le filtre de fumées de soudure, comprennent un bras d'extraction, un ventilateur d'évacuation (SF 2400) et un système de canalisation d'air.

Le filtre autonettoyant de fumées de soudure se compose des composants principaux suivant (voir Fig. 3.1) :

Fig. 3.1 :

- A enveloppe de filtre
- B électrovalve (24 VAC)
- C corps de filtre
- D panneau de commande
- E orifice de sortie (à gauche et à droite)
- F tonneau à poussière
- G boîte de préfiltre (illustrée séparément)
- H orifice d'admission (à gauche et à droite)
- I console murale
- J filtre
- K dispositif de nettoyage à valve d'évacuation rapide

3.2 Fonctionnement

La fumée polluée est soufflée dans le filtre pour fumée de soudure à l'aide d'un ventilateur d'extraction externe, par un flexible à spirale ou un tuyau flexible, puis par la boîte de préfiltre (voir Fig. 3.1 G), où les particules les plus volumineuses et les étincelles sont séparées. L'air est ensuite épuré par le filtre (Fig. 3.1 J), dont la surface filtrante est de 30 m² (325 ft²) environ, les particules (à partir de 0,3 µm) étant pratiquement toutes retenues. L'air épuré quitte le filtre par l'(les) orifice(s) de sortie (Fig. 3.1 E) pour être acheminé, au choix, vers l'atelier ou vers l'extérieur.

Au moment où le filtre se trouve fortement encrassé, - et par conséquent la capacité d'évacuation diminue fortement -, un commutateur différentiel de pression active le mécanisme de nettoyage à air comprimé RoboClean qui, à l'aide de coups d'air comprimé à pilotage sectionnel, nettoie ensuite le filtre à fond.

Les particules de poussière et de saleté tombent à l'extérieur du filtre dans un tonneau à poussière en plastique (Fig. 3.1 F).

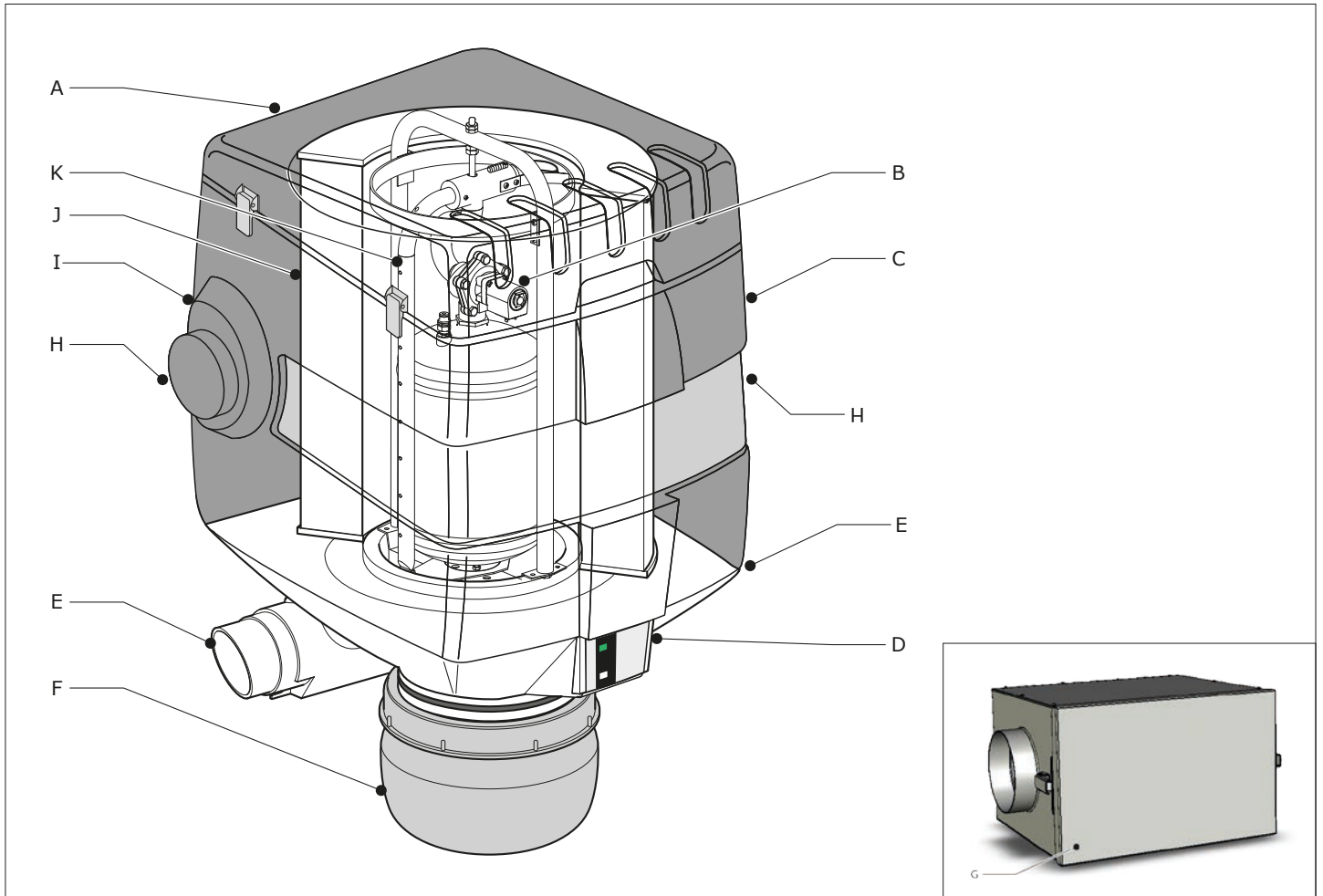


Fig. 3.1


4 INSTALLATION

4.1 Déballage

- Contrôlez si le produit est complet. Le contenu de l'emballage se compose des éléments suivants :
 - filtre de fumées de soudure (Statiflex 400-MS)
 - console murale
 - câble d'alimentation (NCW-11)
 - manchon de raccordement (PG-7)
 - schéma électrique
 - boîte de préfiltre

Si des éléments manquent ou sont endommagés, prenez contact avec votre fournisseur.

4.2 Montage

 Montez le Statiflex 400-MS (Fig. 4.1 C) de telle façon que l'orifice d'admission (Fig. 4.1 B) se trouve aligné horizontalement sur l'orifice de sortie (Fig. 4.1 D) du ventilateur d'évacuation. Dans la configuration standard, le Statiflex 400-MS est placé à droite du ventilateur d'évacuation (Fig. 4.1 A). Voir la Fig. 4.2 pour la hauteur conseillée pour la console murale. Pour le montage des consoles murales (LMB ou TMB) (Fig. 4.1 E) et du ventilateur d'évacuation, voir les manuels correspondants.



ATTENTION!

Le filtre autonettoyant de fumées de soudure ne fonctionne que si les fumées et substances nocives sont **insufflées** dans le filtre par le ventilateur d'évacuation. Il ne faut donc jamais raccorder le Statiflex 400-MS à l'orifice d'extraction du ventilateur d'évacuation. Le filtre de fumées de soudure a été conçu afin de servir dans une configuration comprenant un **seul** bras d'extraction et un **seul** ventilateur d'évacuation (SF 2400). Il ne faut donc jamais raccorder le Statiflex 400-MS à plusieurs bras d'extraction ou à plusieurs ventilateurs d'évacuation. Raccorder le Statiflex 400-MS exclusivement à la boîte de jonction CB.



ATTENTION!

Avant de monter les consoles murales (Fig. 4.2 A), vérifiez si le mur est assez solide. Le poids net du Statiflex 400-MS est de 85 kg (187 lbs) environ. Lors du perçage, faites attention aux tuyaux de gaz, d'eau ou de câblage électrique éventuellement présents. Ne placez pas le Statiflex 400-MS dans des endroits exposés aux vibrations ou à un rayonnement de chaleur provenant de sources de chaleur. Respectez les conditions ambiantes spécifiées plus haut.

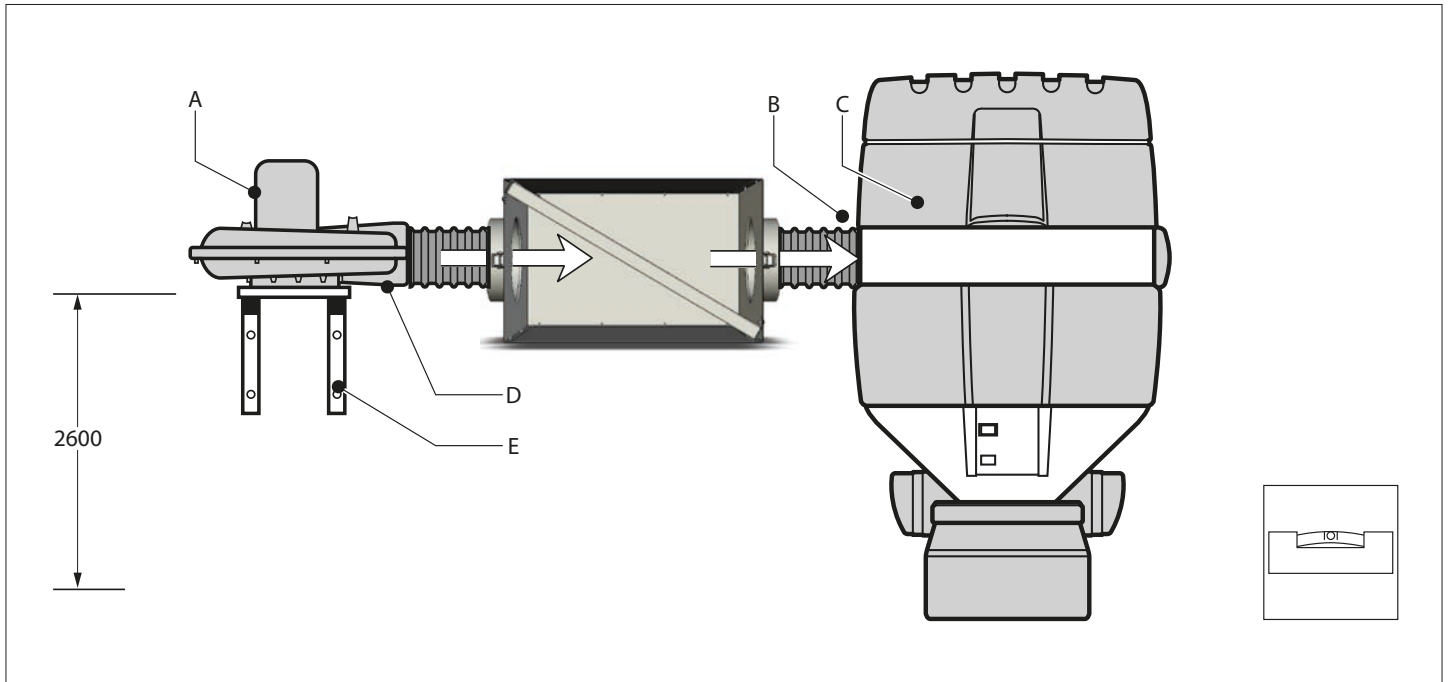


Fig. 4.1

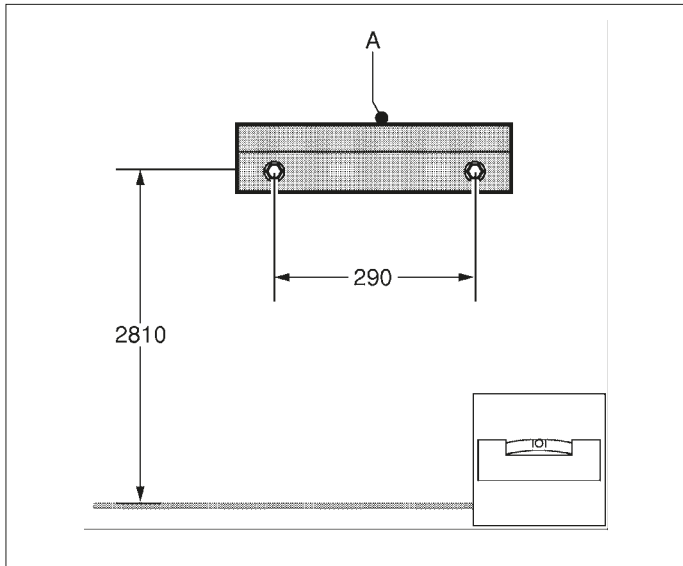


Fig. 4.2

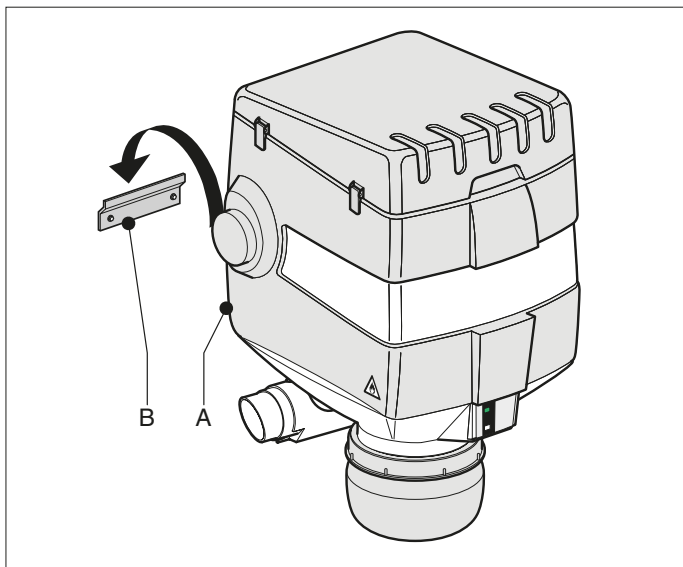


Fig. 4.3

4.2.1 Installation

- Montez la console murale (Fig. 4.2 A). Voir la Fig. 4.2 pour la hauteur conseillée et les diamètres de perçage. La hauteur conseillée mentionnée s'applique si le bras d'extraction est monté à 2600 mm (102.4 in.) et si le Statiflex 400-MS se trouve aligné horizontalement sur l'orifice de sortie du ventilateur d'évacuation. Assurez un espace suffisant (700 mm [27.6 in. minimum]) du côté supérieur ; en effet, lors du changement du filtre, l'enveloppe de filtre doit être démontée.
- Placez l'ensemble du Statiflex 400-MS (Fig. 4.3 A) sur la console murale (Fig. 4.3 B).
- Montez ensuite à votre gré sur l'orifice d'admission du Statiflex 400-MS:
 - un tube spiralé (Ø 160 mm [6.3 in.]), sur le profilé en T ;
 - un CKS (tube d'évacuation flexible [Ø 160 mm/6.3 in.] à l'aide de deux colliers de serrage).
- A l'aide d'une scie, ouvrez un **ou deux** orifice(s) de sortie (se trouvant dans les ouvertures du tonneau à poussière) puis raccordez éventuellement l'(les) orifice(s) de sortie à une canalisation.
- Vérifiez si l'ensemble du système d'évacuation est hermétique. Si le recyclage n'est pas autorisé, raccordez l'(les) orifice(s) de sortie toujours à une canalisation qui évacue l'air vers l'extérieur.
- Enfin, bloquez l'unité p. ex. moyennant deux vis dans les encoches du corps de filtre. Ceci est absolument nécessaire.



Installation de la boîte de préfiltre

Pour installer la boîte de préfiltre, veuillez consulter la feuille d'instructions.

4.2.2 Raccordement électrique


L'alimentation 24 VCA destinée au Statiflex 400-MS est obtenue par le biais de la boîte de jonction CB. Un câble d'alimentation (NCW-11) et un manchon de raccordement (PG-7) sont fournis à cette fin. Montez le manchon de raccordement dans la boîte de jonction CB.

- Raccordez le câble NCW-11 au bloc de raccordement tripolaire situé à l'arrière du Statiflex 400-MS et à la boîte de jonction CB (voir le manuel correspondant).

| | |
|--|---|
|  | MISE EN GARDE Evitez tout endommagement. Lors du raccordement du câble, faites attention aux codes couleur. |
|  | MISE EN GARDE COUPEZ l'alimentation secteur de la boîte CB avant de raccorder le câble NCW-11. |

4.2.3 Raccordement de l'air comprimé

Le mécanisme de nettoyage fonctionne à l'air comprimé avec une pression de travail de 400-500 kPa/4-5 bars (1600 - 2000 in. WG/60 - 75 psi). Veuillez toujours à ce que la pression de travail se situe entre 400-500 kPa/4-5 bars (1600 - 2000 in. WG/60 - 75 psi). Nous préférons une pression de 450 kPa/4.5 bars (1800 in. WG/65 psi). Si nécessaire, installez un réducteur de pression. Sinon, il se peut que la soupape de sûreté soit actionnée.

| | |
|--|---|
|  | MISE EN GARDE Evitez que le mécanisme de nettoyage soit endommagé. Veuillez à ce que l'air comprimé ne contienne ni huile ni eau. |
|--|---|

- Raccordez le flexible d'air comprimé au manchon de raccordement (1/4" interne) à l'arrière du Statiflex 400-MS.

5 UTILISATION

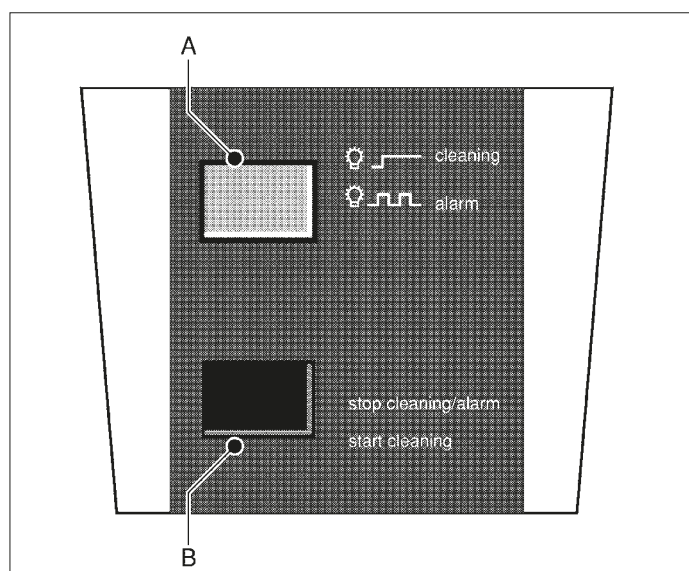



Fig. 5.1

| | |
|--|--|
|  | ATTENTION! Avant utilisation, lisez soigneusement les consignes de sécurité. Décidez en fonction de la réglementation locale en vigueur et des travaux de soudure s'il faut recycler ou non. |
|--|--|

5.1 Organes de commande

Le panneau de commande est muni des organes de commande suivants (voir Fig. 5.1) :

Fig. 5.1 :

- A Lampe de signalisation (jaune)
La lampe de signalisation s'allume ("CLEANING") pour signifier que le Statiflex 400-MS est occupé avec le processus d'(auto)nettoyage. La lampe de signalisation clignote ("ALARM") pour signifier que le filtre est saturé et ne peut être nettoyé, ou pour indiquer que la pression d'air ne suffit pas pour nettoyer le filtre.

- B Bouton de ré enclenchement/démarrage
Le bouton noir sert à la mise marche et à l'arrêt manuels du mécanisme de nettoyage (respectivement "START CLEANING" et "STOP CLEANING/ALARM").

5.2 Commande

Les processus suivants sont également applicables en combinaison avec un lampe WL ou un dispositif de marche/arrêt encastrable AST (s'ils sont activés).

5.2.1 Fonctionnement normal


Durant le fonctionnement normal (c'est-à-dire que le filtre est propre et non saturé), le Statiflex 400-MS fonctionne de manière entièrement autonome ; les fumées et poussières émises lors des travaux de soudure sont insufflées dans le filtre par le ventilateur d'évacuation en marche. Dès que le débit d'air minimal est atteint - en conséquence de l'encrassement du filtre - un commutateur différentiel de pression active le mécanisme de nettoyage à air comprimé RoboClean qui, à l'aide de coups d'air comprimé à pilotage sectionnel (3x), nettoie ensuite le filtre. Les particules de poussière et de saleté tombent en conséquence dans le tonneau à poussière. Durant le processus d'(auto)nettoyage, la lampe de signalisation s'allume, puis s'éteint après le nettoyage. Le ventilateur continue du reste à tourner normalement.

5.2.2 Saturation du système

Si, malgré dix tentatives de nettoyage initiées par le Statiflex 400-MS lui-même, le filtre n'arrive plus à s'autonettoyer, la lampe de signalisation se met à clignoter. On peut néanmoins continuer à travailler car, en effet, le ventilateur d'évacuation peut continuer à tourner. Lorsqu'elle clignote, une lampe de signalisation indique généralement que le filtre est saturé. Voir aussi le chapitre 7.

- Eteignez la lampe de signalisation clignotante en appuyant sur le bouton de ré enclenchement/démarrage.
- Changez le filtre et/ou videz le tonneau à poussière (voir le chapitre 6).

5.2.3 Commande manuelle

| | |
|---|---|
|  | ATTENTION! EVITEZ la commande manuelle durant les 10 premières heures nettes de service car le rendement du filtre sera réduit. |
|---|---|



On peut, à l'aide du bouton noir de ré enclenchement/démarrage, mettre en marche et stopper le mécanisme de nettoyage manuellement.

A la mise en marche ("START CLEANING"), le ventilateur d'évacuation sera mis/reste en marche et la lampe de signalisation s'allume constamment durant la totalité du cycle de nettoyage (env. 40 - 50 min = 40 coups d'air comprimé). On peut stopper à tout moment le processus de nettoyage en appuyant encore une fois sur le bouton de ré enclenchement/démarrage ("STOP CLEANING/ALARM"). Ensuite le mécanisme de nettoyage résume le fonctionnement normal.

6 ENTRETIEN

Le produit a été conçu pour fonctionner longtemps sans problème et avec un minimum d'entretien. Pour vous en assurer, il faut néanmoins effectuer les indispensables opérations d'entretien et de nettoyage décrites dans ce chapitre. Si vous procédez avec les précautions nécessaires et assurez un entretien régulier, les éventuels problèmes seront généralement décelés et corrigés avant qu'ils n'occasionnent une panne.

Le calendrier d'entretien indiqué peut varier en fonction des conditions de travail et d'exploitation. C'est pourquoi - outre le calendrier d'entretien périodique indiqué dans ce manuel - il est recommandé de soumettre chaque année le bras d'extraction à une inspection générale et minutieuse. Pour cela, contactez votre fournisseur.

| | |
|--|--|
|  | MISE EN GARDE Tout retard dans l'entretien peut provoquer un feu. |
|  | MISE EN GARDE Avant d'entreprendre les travaux d'entretien décrits ci-après, ETEIGNEZ toujours le ventilateur d'évacuation connecté. Lisez préalablement les instructions d'entretien données au début de ce manuel. |

6.1 Entretien périodique

Les travaux d'entretien signalés par un [1] dans le tableau suivant peuvent être entrepris par l'utilisateur ; quant aux autres travaux, ils sont réservés aux techniciens de maintenance formés et autorisés en ce sens.

| Opération | 1-3 mois | tous les 3 mois | tous les 6 mois |
|--|------------------|------------------|------------------|
| Vérifiez si le filtre à maillage acier de la boîte de préfiltre est endommagé, colmaté ou saturé. En cas de dommage, colmatage ou saturation, veuillez consulter le point 6.2.2. | X ^[1] | | |
| Nettoyez l'intérieur de la boîte de préfiltre à l'aide d'un aspirateur industriel. | X ^[1] | | |
| Nettoyez l'extérieur à l'aide d'un nettoyant doux. | | | X ^[1] |
| Nettoyez l'intérieur à l'aide d'un aspirateur industriel et éliminez la poussière du compartiment du filtre. | | X ^[1] | |
| Vérifiez si le filtre n'est pas endommagé, encrassé ou saturé. | X ^[1] | | |
| Vérifiez- par commande manuelle - le fonctionnement du mécanisme de nettoyage (rotation, fuite). | | | X |
| Vérifiez si le tonneau à poussière est plein. | X ^[1] | | |

6.2 Remplacement du filtre, du filtre à maillage acier de la boîte de préfiltre et/ou vidage du tonneau à poussière



MISE EN GARDE

Pleins, les filtres et/ou tonneaux à poussière contiennent souvent des particules de poussière et de saleté qui, inhalées, sont potentiellement nocives pour la santé. Lors de changement de filtre ou de tonneau à poussière, il faut impérativement porter un masque de protection de bonne qualité et homologué. Emballez l'ensemble dans un sac plastique bien fermé et évacuez-le conformément à la réglementation locale en vigueur.

6.2.1 Filtre

Changez le filtre :

- s'il est endommagé ;
- dès que la capacité d'extraction reste insuffisante ;
- dès que la lampe de signalisation clignote constamment, tandis que le mécanisme de nettoyage marche.

Comme la longévité du filtre dépend largement par exemple de la composition des fumées de soudure, du taux d'humidité etc., la décision de changer le filtre est généralement une affaire d'expérience.

- Retirez l'enveloppe de filtre (Fig. 6.1 A) en desserrant le bouton étoile et en ouvrant les clips de fermeture.
- Retirez le filtre (Fig. 6.1 B). Il est toutefois recommandé de nettoyer le compartiment du filtre au moyen d'un aspirateur industriel.
- Placez le filtre neuf puis montez l'enveloppe de filtre.

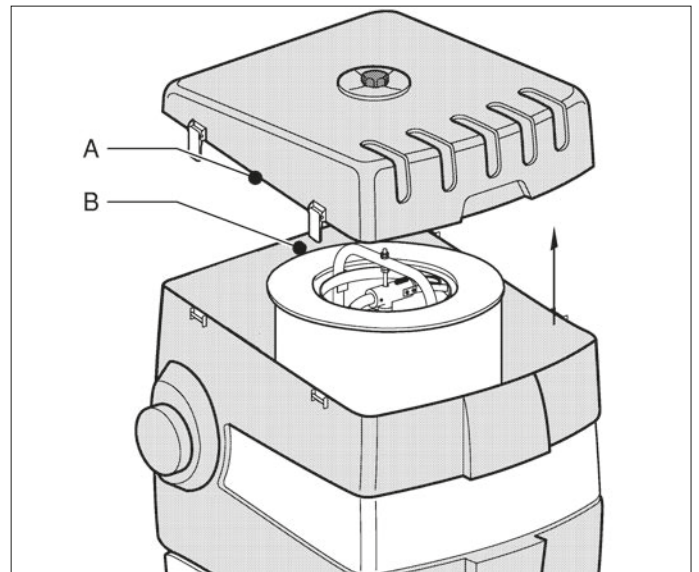


Fig. 6.1

6.2.2 Boîte de préfiltre

Remplacement du filtre à maillage acier :


- en cas de colmatage ou de saturation et d'impossibilité d'utiliser un aspirateur ; ou
- en cas de dommage.



Si le filtre à maillage acier est endommagé, nous vous conseillons de remplacer également la cartouche filtrante.

Veillez procéder comme suit pour remplacer le filtre à maillage acier :

- Débranchez le ventilateur d'extraction de son alimentation d'entrée.
- Desserrez les deux clips et enlevez le capot du filtre.
- Enlevez le filtre à maillage acier.
- Selon les réglementations et directives fédérales, nationales et/ou locales scellez le préfiltre dans un sac ou sachet plastique adapté.

 Les préfiltres de rechange sont livrés dans un sachet plastique. Vous pouvez utiliser ce sachet pour l'emballage et l'élimination du préfiltre usagé.

- Nettoyez l'intérieur de la boîte de préfiltre à l'aide d'un aspirateur industriel.
- Posez le nouveau filtre en maillage acier.
- Reposez le capot du filtre et serrez les deux clips.

6.2.3 Tonneaux à poussière

Videz le tonneau à poussière (Fig. 6.2) :

- s'il est plein ;
- (de préférence) chaque fois en remplaçant le filtre.

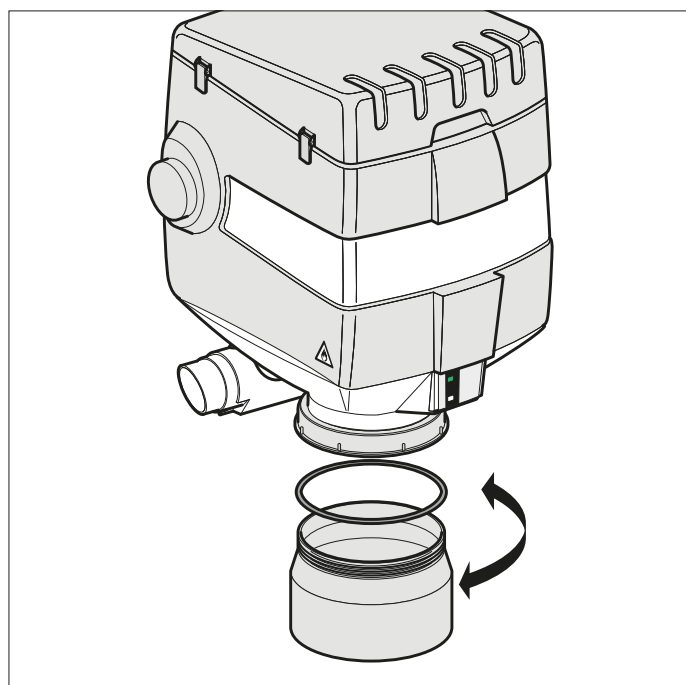




Fig. 6.2

7 REPARATION DES PANNES

- Si le produit ne fonctionne pas (correctement) consultez la liste de vérifications suivante pour voir si vous pouvez remédier vous-même au problème. Si ce n'est pas le cas, contactez votre fournisseur.

| | |
|---|---|
|  | MISE EN GARDE DEBRANCHEZ d'abord toujours le ventilateur d'évacuation et la boîte de jonction (CB) avant d'entreprendre les travaux de réparation ci-après. Lisez préalablement les instructions de réparation données au début de ce manuel. |
|  | Un certain nombre de problèmes figurant dans la liste de vérifications ci-dessous peuvent également être la conséquence de défauts dans l'appareillage connecté. Ce manuel traitera cependant uniquement des causes et remèdes se rapportant au produit proprement dit. |

| Problème | Cause possible | Remède |
|--|--|---|
| La capacité d'évacuation reste insuffisante. | Les sens de rotation du ventilateur d'évacuation est erroné. | Inversez le sens de rotation. Voir le manuel correspondant. |
| | Filtre encrassé ou saturé. | Changez le filtre. |
| | Filtre à maillage acier colmaté dans la boîte de préfiltre. | Nettoyez (voir le point 6.1) ou remplacez (voir le point 6.2.2) le filtre à maillage acier. |
| | Le mécanisme de nettoyage est défectueux. | Réparez le mécanisme de nettoyage. |
| Echappement de poussière ou de fumée par l'orifice de sortie. | Filtre déchiré ou incorrectement placé. | Changez le filtre ou placez-le correctement. |
| Poussière ou fumée sortant de l'ouverture d'entrée. | Sortie (s) bloquée (s). | Enlevez les obstructions de (des) ouverture (s) de sortie et/ou de la tuyauterie raccordée. |
| | Cartouche filtrante colmatée. | Remplacez la cartouche filtrante (voir le point 6.2.1). |
| | Filtre à maillage acier colmaté dans la boîte de préfiltre. | Nettoyez (voir le point 6.1) ou remplacez (voir le point 6.2.1) le maillage acier. |
| Echappement de poussière ou de fumée par le tonneau à poussière. | Le profil d'étanchéité du tonneau à poussière fuit. | Changez le profil d'étanchéité du tonneau à poussière. |
| La lampe de signalisation ne s'allume plus. | La lampe de signalisation est défectueuse. | Changez la lampe de signalisation. |
| | Le circuit imprimé de commande est défectueux. | Changez le circuit imprimé de commande. |
| | L'alimentation 24 VCA est défectueuse. | Réparez l'alimentation 24 VCA. |

| Problème | Cause possible | Remède |
|---|---|--|
| La lampe de signalisation clignote constamment. | Filtre saturé. | Changez-le. Voir chapitre 6. |
| | Le mécanisme de nettoyage est défectueux : | |
| | Electrovalve 24 VCA défectueuse. | Changez la bobine magnétique ou la membrane. |
| | Circuit imprimé de commande défectueux. | Changez le circuit imprimé de commande. |
| | Mécanisme de nettoyage défectueux ou usé. | Changez le mécanisme de nettoyage. |
| | Absence d'air comprimé, ou pression d'air trop réduite. | Contrôlez le circuit d'air comprimé et/ou le branchement d'air comprimé. |
| | Commutateur différentiel de pression défectueux. | Changez le commutateur différentiel de pression. |
| Le Statiflex 400-MS ne réagit plus à l'actionnement du bouton de réenclenchement/démarrage. | Le bouton de réenclenchement/démarrage est défectueux. | Changez le bouton de réenclenchement/démarrage. |
| | Le circuit imprimé de commande défectueux. | Changez le circuit imprimé de commande. |
| | L'alimentation 24 VCA est défectueuse. | Réparez l'alimentation 24 VCA. |

| Réf. | Description |
|------------|--|
| 9850060120 | Tonneau 15L pour le résidu du filtre Statiflex 400-MS (réutilisable) |
| 0102080110 | Pare-étincelles Mobiflex 400-MS/Statiflex 400-MS (HD) (non montré) |

9 METTRE AU RANCART

À l'issue de sa durée de vie, débarrassez-vous du produit conformément à la réglementation et/ou directives locales en vigueur.

DÉCLARATION DE CONFORMITÉ

Déclaration de Conformité pour les machines

Nous, soussignés, Plymovent Manufacturing B.V., Wezelkoog 11, 1822 BL Alkmaar, Pays-Bas, déclarons que la/les machine(s) désignée(s) ci-après :

- Statiflex 400-MS

à laquelle/lesquelles la présente déclaration se rapporte, est/sont conforme(s) aux dispositions de la ou des Directives suivantes :

- Directive Machines 2006/42 EC
- EMC 2004/108 EC

et des normes harmonisées et/ou autres spécifications suivantes, inclusivement des amendements éventuels :

- EN-ISO 12100:2010 (sécurité des machines)
- EN-ISO 13857:2008 (distances de sécurité)
- EN-IEC 60204-1:2006 (sécurité électrique)

Alkmaar, Pays-Bas, le 6 novembre 2012



Ir. F. Coehoorn
Vice President Research & Development

Une installation se définit en tant que combinaison de différents produits ou composants finis assemblés en vue d'être installés à un endroit donné. Les différentes parties de l'installation sont destinées à fonctionner ensemble dans un environnement donné et d'exécuter une tâche spécifiée. Toute l'installation doit être conforme aux directives et normes correspondantes. Les instructions d'assemblage indiquées par le fabricant, ainsi que la méthode globale d'installation, doivent se conformer aux bonnes pratiques techniques dans le contexte des installations ainsi qu'aux réglementations régissant l'installation. L'installateur est responsable, suivant ce qui est écrit plus haut, de l'installation et de l'édition de la déclaration CE de conformité finale.

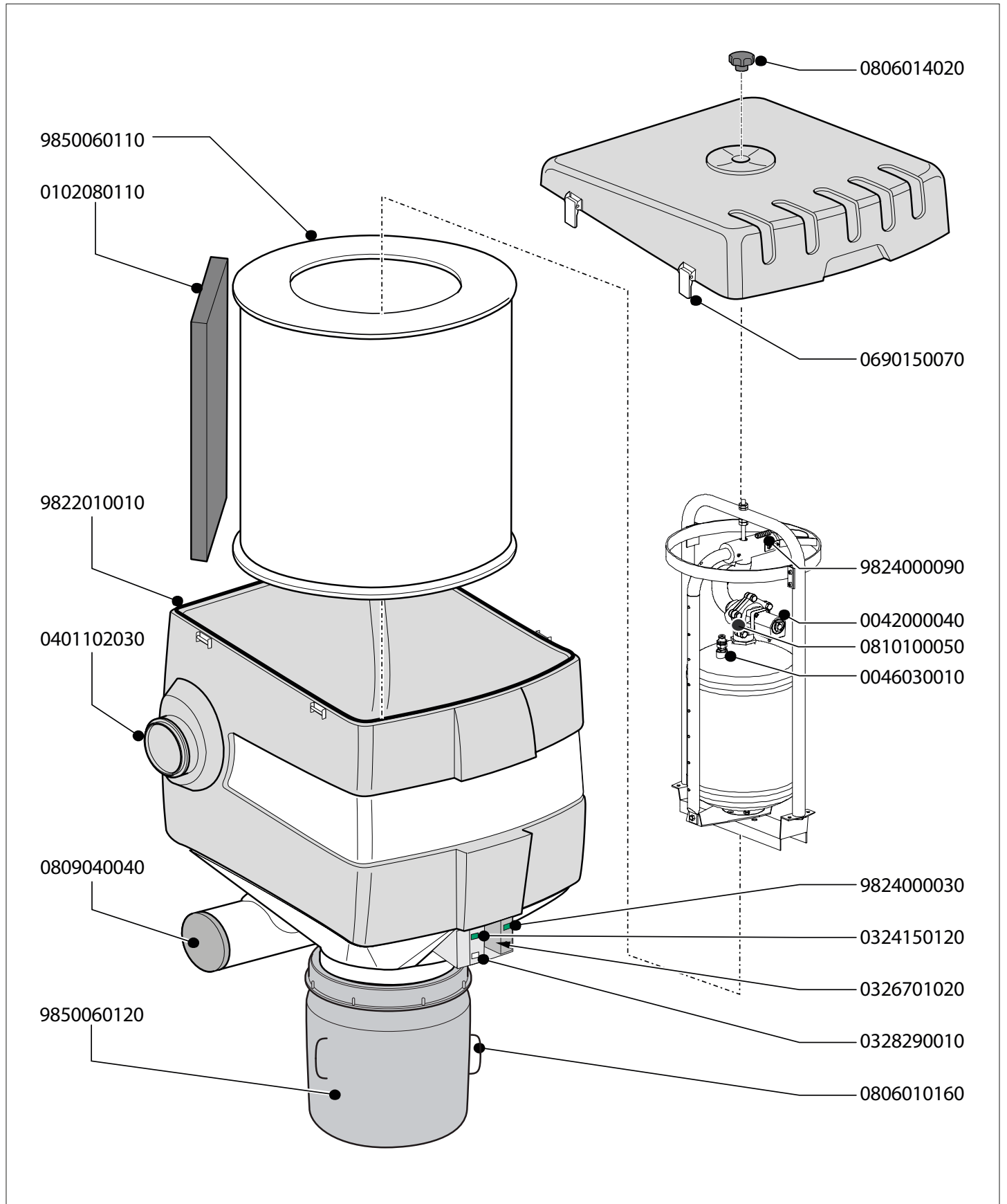
8 PIÈCES DÉTACHÉES

Les pièces détachées suivantes sont disponibles pour le produit (voir Fig. I sur la page 38).

- Adressez votre commande à votre fournisseur en spécifiant toujours les données suivantes :
 - nom du produit, tension de raccordement et numéro de série (voir la plaque d'identification) ;
 - le numéro d'article de la pièce en question ;
 - désignation ;
 - quantité.

| Réf. | Description |
|------------|--|
| 0042000040 | Valve à membrane |
| 0046030010 | Valve de surpression 6-10 bar |
| 0324150120 | Lampe témoin 28V, jaune |
| 0326701020 | Circuit imprimé de commande Mobiflex 400-MS/Statiflex 400-MS |
| 0328290010 | Bouton poussoir reset/marche |
| 0401102030 | Rondelle d'étanchéité |
| 0690150070 | Fermeture de Statiflex 200-M/Statiflex 400-MS |
| 0806010160 | Poignée tonneau Statiflex 400-MS |
| 0806014020 | Bouton en étoile M8 |
| 0809040040 | Couvercle Ø 160 mm |
| 0810100050 | Etanchéité du clapet à membrane |
| 9822010010 | Profil d'étanchéité Statiflex 200-M/Statiflex 400-MS (2,5 m) |
| 9824000030 | Pressostat différentiel Statiflex 400-MS (670 Pa) |
| 9824000090 | Boîtier du piston Mobiflex 400-MS/Statiflex 400-MS/Statiflex 6000-MS |
| 9850060110 | LongLife Filter FCC-30 |

Fig. I



86958576 : Statiflex 400-MS

LINCOLN
ELECTRIC

www.lincolnelectric.eu • www.lincolnelectric.com