

COOL ARC[®] 47

Spare Parts	1
Figure A: Machine Assembly	1
Miscellaneous Items (not shown in figure A)	2



Spare Parts

Do Not use this Parts List for a machine if its code number is not listed. Contact the Service Department for any code numbers not listed.

Use only the parts marked "•" in the column under the heading number called for in the assembly page (# indicate a change in this printing).

SP12182 REV05

ASSEMBLY PAGE NAME			Machine Assembly	Miscellaneous Items				
CODE NO.:	K NO.:	FIGURE NO.:	A	-				
12182	K3950-1	COOL ARC® 47	1	1				

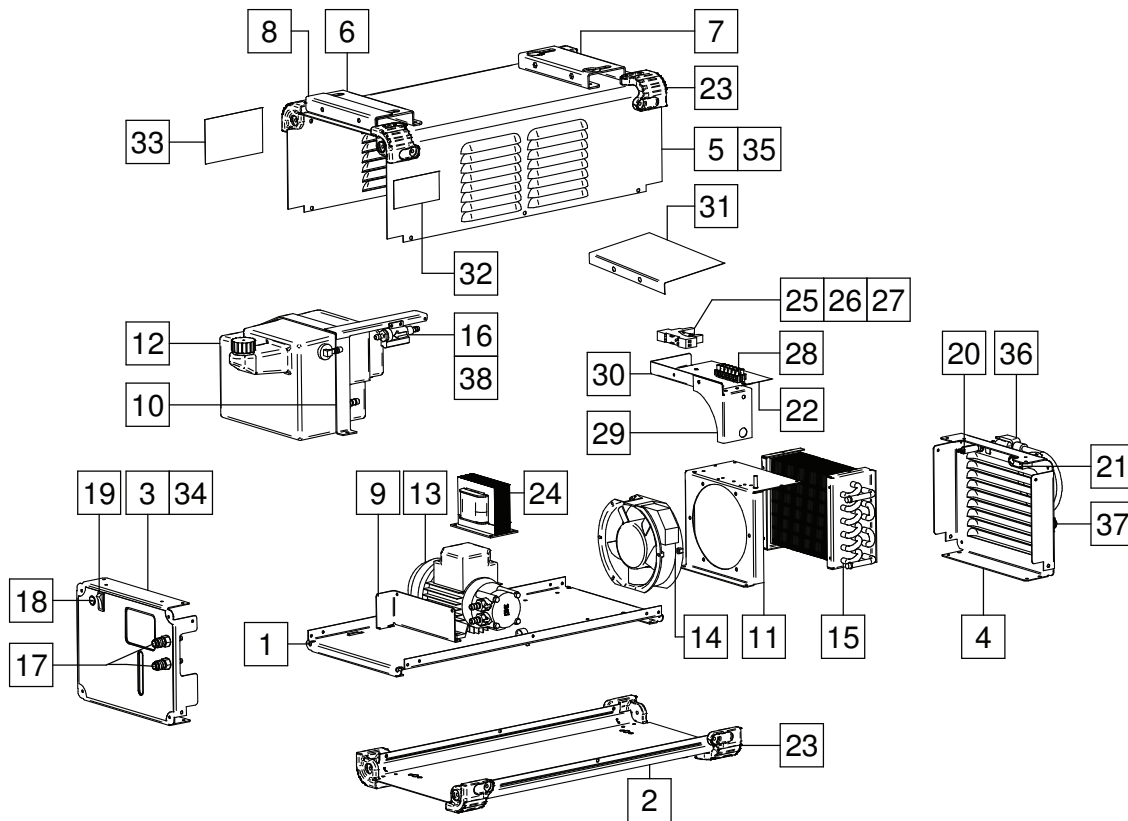


Figure A

Figure A: Machine Assembly

Item	Description	Part Number	QTY	1	2	3	4	5	6	7
1	BASE	R-1019-321-1/08R	1	•						
2	COVER	R-3019-291-1/02R	1	•						
3	FRONT PANEL	R-1012-541-1/08R	1	•						
4	REAR PANEL	R-1012-542-1/08R	1	•						
5	COVER	R-1019-323-1/02R	1	•						
6	BRACKET	R-3020-001-1/02R	1	•						
7	BRACKET	R-3020-001-2/02R	1	•						
8	BRACKET	R-1019-331-1/02R	1	•						
9	BRACKET	R-1019-325-1/08R	1	•						

COOL ARC® 47



10	CLAMP	R-3019-289-1/08R	1	•						
11	RADIATOR COVER	R-3020-002-1/08R	1	•						
12	RESERVOIR ASSEMBLY	R-8040-242-2R	1	•						
	RESERVOIR'S CAP	0653-321-006R	1	•						
13	PUMP	0871-100-013R	1	•						
14	FAN	0873-100-031R	1	•						
15	RADIATOR 3R	0871-100-007R	1	•						
16	FLOW SENSOR S1	R-5041-162-1R	1	•						
17	QUICK CONNECT COUPLING	0744-000-150R	2	•						
18	LAMP	0917-421-004R	1	•						
19	SWITCH S2	1115-270-004R	1	•						
	ROCKER SWITCH BOOT	S28672-1	1	•						
20	FUSE SOCKET	1158-632-032R	1	•						
	FUSE CAP	1158-632-033R	1	•						
	FUSE F1	1158-660-008R	1	•						
21	CABLE CLAMP	1361-599-398R	1	•						
	CABLE RELIEF	1361-599-399R	1	•						
22	INSULATION PLATE	R-1012-557-2R	1	•						
23	CORNERS	S29507	8	•						
24	TRANSFORMER T1	R-4034-161-1R	1	•						
25	RELAY BASE	1158-632-017R	1	•						
26	RELAY	0918-412-020R	1	•						
27	ANTI-OVERVOLTAGE MODULE	1158-142-054R	1	•						
28	TERMINAL BLOCKS X3	1131-990-009R	6	•						
29	COVER	R-1019-422-1R	1	•						
30	SHIELD	R-3019-347-1R	1	•						
31	INSULATOR	R-1012-685-1R	1	•						
32	STICKER (COOLANT LEVEL)	R-7040-537-1R	1	•						
33	STICKER (WARNING)	R-0010-536-1R	1	•						
34	STICKER (FRONT PANEL)	R-0010-514-1R	1	•						
35	STICKER (WIRING DIAGRAM)	R-7040-498-1R	1	•						
36	POWER LEAD	R-5041-295-2R	1	•						
37	SOCKET X2	S18657	1	•						
38	BRACKET	R-1019-431-1R	1	•						

Miscellaneous Items (not shown in figure A)

Item	Description	Part Number	QTY	1	2	3	4	5	6	7
39	BYPASS HOSE (NOT SHOWN)	D-2218-150-1R	1	•						
40	WIRING HARNESS (NOT SHOWN)	R-5041-297-1R	1	•						
41	RATING PLATE (NOT SHOWN)	R-7040-497-1R	1	•						
42	COOLER CONTROL CABLE (NOT SHOWN)	M25183	1	•						
43	FUSE RATING STICKER (NOT SHOWN)	R-0010-546-1R	1	•						
44	ADAPTER	R-2013-040-1R	2	•						