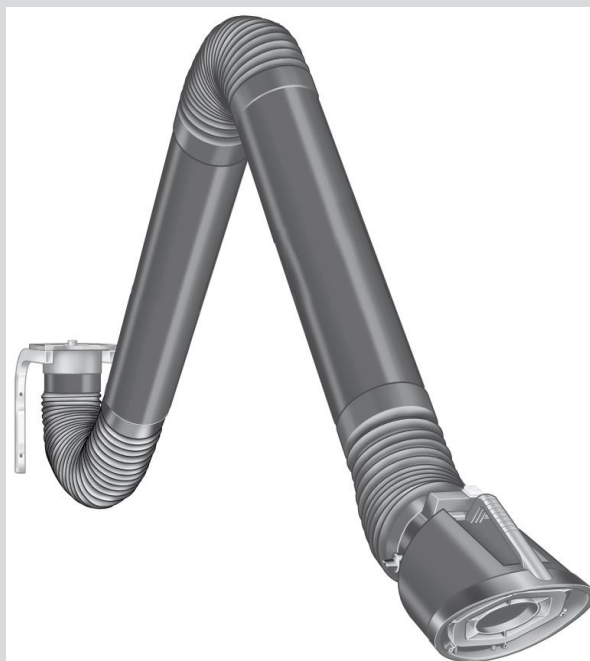


EN	Extraction arm
NL	Afzuigarm
DE	Absaugarm
FR	Bras d'aspiration
ES	Brazo de aspiración
IT	Braccio aspirante

LFA 3.0 - 4.0 - 3.1 - 4.1

EN	Installation and user manual
NL	Installatie- en gebruikershandleiding
DE	Installations- und Betriebsanleitung
FR	Manuel d'installation et d'utilisation
ES	Manual de instalación y de uso
IT	Manuale di installazione e d'uso



Ref : 86958017

REVISION : A
DATE : 02/2022

Notice Originale

TABLE OF CONTENTS

ENGLISH	Page
Preface	2
1. Introduction	2
2. Product description	3
3. Safety	3
4. Installation	4
5. Use	7
6. Maintenance	8
7. Troubleshooting	10
8. Spare parts	10
9. Disposal	10

NEDERLANDS	Pag.
Voorwoord	11
1. Inleiding	11
2. Productbeschrijving	12
3. Veiligheidsvoorschriften	12
4. Installatie	13
5. Gebruik	16
6. Onderhoud	17
7. Verhelpen van storingen	19
8. Reserveonderdelen	19
9. Afdanken	19

DEUTSCH	Seite
Vorwort	20
1. Einführung	20
2. Produktbeschreibung	21
3. Sicherheitsvorschriften	21
4. Montage	23
5. Betrieb	25
6. Wartung	26
7. Störungsbehebung	28
8. Ersatzteile	29
9. Entsorgung	29

FRANÇAIS	Page
Avant-propos	30
1. Introduction	30
2. Description de produit	31
3. Instructions de sécurité	31
4. Installation	33
5. Utilisation	35
6. Entretien	36
7. Dépannage	38
8. Pièces détachées	39
9. Mettre au rancart	39

ESPAÑOL	Pág.
Preámbulo	40
1. Introducción	40
2. Descripción del producto	41
3. Seguridad	41
4. Instalación	43
5. Uso	45
6. Mantenimiento	46
7. Subsanción de fallos	48
8. Piezas de recambio	49
9. Eliminación	49

ITALIANO	Pag.
Prefazione	50
1. Introduzione	50
2. Descrizione del prodotto	51
3. Istruzioni per la sicurezza	51
4. Installazione	52
5. Uso	55
6. Manutenzione	56
7. Risoluzione dei problemi	58
8. Pezzi de ricambio	58
9. Smaltimento	58









PREFACE

Using this manual

This manual is intended to be used as a work of reference for professional, well trained and authorised users to be able to safely install, use, maintain and repair the product mentioned on the cover of this document.

Pictograms and symbols

The following pictograms and symbols are used in this manual:

	TIP Suggestions and recommendations to simplify carrying out tasks and actions.
	ATTENTION A remark with additional information for the user. A remark brings possible problems to the user's attention.
	CAUTION! Procedures, if not carried out with the necessary caution, could damage the product, the workshop or the environment.
	WARNING! Procedures which, if not carried out with the necessary caution, may damage the product or cause serious personal injury.
	WARNING! Fire hazard! Important warning to prevent fire.
	WARNING! Explosion hazard! Important warning to prevent explosions.
	Personal protective equipment (PPE) Instruction to use respiratory protection when you do service, maintenance and repair jobs, as well as during functional testing. We recommend to use a half-face respirator according to EN 149:2001 + A1:2009, class FFP3 (Directive 89/686/EEC).
	Personal protective equipment (PPE) Instruction to use protective gloves when you do service, maintenance and repair jobs.

Text indicators

Listings indicated by "-" (hyphen) concern enumerations.
Listings indicated by "•" (bullet point) describe steps to perform.

1 INTRODUCTION

1.1 Identification of the product

The identification plate contains, among other things, the following data:

- product name
- serial number



1.2 General description

The LFA is a flexible extraction arm with a rotatable hood *RotaHood* that is 360° rotatable. The hood contains a throttle valve and a focus extraction spoiler that directs the air into the hood.

There are two types of arms:

1.2.1 LFA 3.0 | LFA 4.0

These arms are provided with the *DeBlock* advanced friction system for light, user-friendly positioning of the arm.

1.2.2 LFA 3.1 | LFA 4.1

These arms are provided with the *Balance* spring balance system for ultra-light, user-friendly positioning of the arm.

1.3 Options and accessories

For more ease of use you can select one of the following accessories:

- WL | Working light
- WL-AST | Working light + automatic start/stop
- WCS | Welding cable sensor

1.4 Product combinations

The LFA arms are suitable for mobile and stationary welding fume extraction systems.



Refer to Fig. I on page 59 for details.

They are also suitable for use in central fume extraction systems¹.

1.5 Technical specifications



Physical dimensions and properties	
Arm length:	
- LFA 3.0 LFA 3.1	- 3 m
- LFA 4.0 LFA 4.1	- 4 m
Diameter	Ø 203 mm
Material:	
- tubes and hood	- polypropylene copolymer with UV stabilization
- hoses	- glass fibre reinforced PVC + metal springs
Weight:	
- LFA 3.0 LFA 3.1	- 15 kg
- LFA 4.0 LFA 4.1	- 17 kg
Performance	
Recommended airflow	max. 1600 m ³ /h

1.6 Working reach

Refer to Fig. II on page 60.

1.7 Pressure drop

Refer to Fig. III on page 60.

1.8 Ambient and process conditions

Process temperature:	
- min.	5°C (41°F)
- nom.	20°C (68°F)
- max.	45°C (113°F)
Max. relative humidity	80%
Outdoor use allowed	no

1. Systems with a central extraction duct, with or without filtration

2 PRODUCT DESCRIPTION

2.1 Components

The product consists of the following main components and elements:

Fig. 2.1

- A Connection flange with rotating hinge
- B Rubber seal
- C Flexible hose
- D Arm section (wall/unit side)
- E Middle hinge
- F Extraction hood
- G Handle
- H Rotary knob for throttle valve control
- I Throttle valve
- J Hood hinge
- K Arm section (hood side)

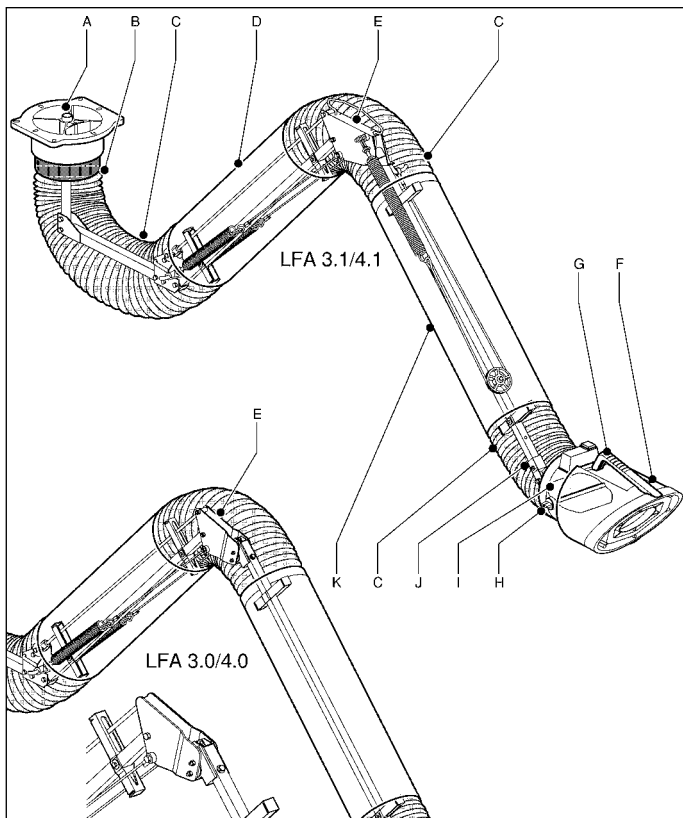


Fig. 2.1 Main components and elements

2.2 Operation

2.2.1 Mobile use

The welding fume is extracted through the hood of the extraction arm by the fan of a mobile fume extractor². The arm discharges the polluted air to the filter unit.

The arm is fitted with a throttle valve to regulate the airflow.

2.2.2 Stationary use

The welding fume is extracted through the hood of the extraction arm by a single or central fan. The arm discharges the polluted air to an extraction duct with filter unit or directly to the atmosphere.

The arm is fitted with a throttle valve to regulate the airflow.

2. Type: Mobiflex 200-M, 400-MS or 300-E

3 SAFETY

General



The manufacturer does not accept any liability for damage to the product or personal injury caused by ignoring of the safety instructions in this manual, or by negligence during installation, use, maintenance, and repair of the product mentioned on the cover of this document and any corresponding accessories. Specific working conditions or used accessories may require additional safety instructions. Immediately contact your supplier if you detect a potential danger when using the product.

The user of the product is always fully responsible for observing the local safety instructions and regulations. Observe all applicable safety instructions and regulations.

User manual

- Everyone working on or with the product, must be familiar with the contents of this manual and must strictly observe the instructions therein. The management should instruct the personnel in accordance with the manual and observe all instructions and directions given.
- Do not change the order of the steps to perform.
- Keep the manual with the product.

Users

- The use of this product is exclusively reserved to authorised, trained and qualified users. Temporary personnel and personnel in training can only use the product under supervision and responsibility of skilled engineers.
- Stay alert and keep your attention to your work. Do not use the product when you are under the influence of drugs, alcohol or medicine.
- The product is not to be used by children or persons with reduced physical, sensory or mental capabilities, or lack of experience and knowledge, unless they have been given supervision or instruction.
- Children must be supervised not to play with the product.

Intended use³

The product has been designed exclusively for extracting fumes and particles which are released during the most common welding and cutting processes. Using the product for other purposes is considered contrary to its intended use. The manufacturer accepts no liability for any damage or injury resulting from such use. The product has been built in accordance with state-of-the-art standards and recognised safety regulations. Only use this product when in technically perfect condition in accordance with its intended use and the instructions explained in the user manual.

Technical specifications

Do not change the specifications given in this manual.

Modifications

Modification of (parts of) the product is not allowed.

Product combinations




If the product is used in combination with other products or machines, the safety instructions in the documentation of these products also apply.

3. "Intended use" as explained in EN-ISO 12100-1 is the use for which the technical product is suited as specified by the manufacturer, inclusive of his directions in the sales brochure. In case of doubt it is the use which can be deduced from the construction, the model and the function of the technical product which is considered normal use. Operating the machine within the limits of its intended use also involves observing the instructions in the user manual.

Installation

- The installation of this product is exclusively reserved to authorised, trained and qualified engineers.
- During installation, always use Personal Protective Equipment (PPE) to avoid injury. This also applies to persons who enter the work area during installation.
- Use sufficient climbing gear and safety guards when working on a higher level than 2 metres (local restrictions may apply).
- Do not install the product in front of entrances and exits which must be used for emergency services.
- Mind any gas and water pipes and electric cables.
- Make sure that the workspace is well illuminated.
- Stay alert and keep your attention to your work. Do not install the product when you are under the influence of drugs, alcohol or medicine.
- Air containing particles such as chromium, nickel, beryllium, cadmium, lead etc., should never be recycled. This air must always be brought outside the working area.


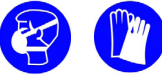
Use

	<p>WARNING! Fire hazard! Do not use the product for:</p> <ul style="list-style-type: none"> - polishing applications in combination with grinding, welding or any other application that generate sparks (fibers from polishing or abrasive flap disks are highly flammable and pose a high risk of filter fires when exposed to sparks) - arc-air gouging - extracting flammable, glowing or burning particles or solids or liquids - extracting of aggressive fumes (such as hydrochloric acid) or sharp particles - extracting dust particles which are released when welding surfaces treated with primer - sucking cigarettes, cigars, oiled tissues, and other burning particles, objects, and acids
	<p>WARNING! Explosion hazard! Do not use the product for explosion-hazardous applications, e.g.:</p> <ul style="list-style-type: none"> - aluminium laser cutting - grinding aluminium and magnesium - explosive environments or explosive substances/gases
	<p>WARNING! Do not use the product for:</p> <ul style="list-style-type: none"> - extraction of hot gases (more than 70°C/158°F continuously) - flame spraying - oil mist - heavy oil mist in welding fume - extraction of cement, saw dust, wood dust etc.

- Inspect the product and check it for damage. Verify the functioning of the safety features.
- During use, always use Personal Protective Equipment (PPE) to avoid injury. This also applies for persons who enter the work area.
- Check the working environment. Do not allow unauthorised persons to enter the working environment.
- Protect the product against water and humidity.
- Make sure the room is always sufficiently ventilated; this applies especially to confined spaces.
- Make sure that the workshop, in the vicinity of the product, contains sufficient approved fire extinguishers (suitable for fire classes ABC).

Service, maintenance and repairs

- Obey the maintenance intervals given in this manual. Overdue maintenance can lead to high costs for repair and revisions and can render the guarantee null and void.
- Always use Personal Protective Equipment (PPE) to avoid injury. This also applies for persons who enter the work area.
- Make sure the room is sufficiently ventilated.
- Use tools, materials, lubricants and service techniques which have been approved by the manufacturer. Never use worn tools and do not leave any tools in or on the product.
- Safety features which have been removed for service, maintenance or repairs, must be put back immediately after finishing these jobs and it must be checked that they still function properly.
- Use sufficient climbing gear and safety guards when working on a higher level than 2 metres (local restrictions may apply).
- Clean the area afterwards.

	<p>ATTENTION Service, maintenance and repairs must be performed in accordance with directive TRGS 560 and TRGS 528 by authorised, qualified and trained persons (skilled) using appropriate work practices.</p>
	<p>Personal protective equipment (PPE) Wear respiratory protection and protective gloves during service, maintenance and repairs.</p>

4 INSTALLATION

4.1 Tools and requirements

You need the following tools and requirements to install the product:

- basic tools



4.2 To be sourced locally

When you install the extraction arm on wall brackets, you need additional wall mounting hardware, which depends on the wall type. Refer to the manual of the wall brackets for mounting instructions.



4.3 Unpacking

Make sure that the product is complete. The package contains:

- rotating hinge (complete)
- 2 arm sections (assembled) with rubber seals
- rubber seal (2)
- extraction hood
- flexible hose (for the hood hinge)
- end stop⁴
- mounting material



If parts are missing or damaged, contact your supplier.

The flexible hoses are tied with a strap. You must cut the straps before mounting.


4. When you install the arm on a mobile unit, the end stop is redundant

4.4 Mounting possibilities

You can install the extraction arm in three different ways.

For mounting on:

- a mobile unit (welding fume extractor type Mobiflex 200-M, 400-MS or 300-E), proceed with paragraph 4.4.1
- wall brackets (type LMB), proceed with paragraph 4.4.2
- an extension crane (type EC), proceed with paragraph 4.4.3

	<p>WARNING Leave the tape around the two arm sections until you have completely installed the arm, including the hood.</p>
--	---

4.4.1 Mounting on a mobile unit⁵

Fig. 4.1

- Loosen the four fastening bolts of the control panel cover.
- Remove the cover.
- Install the rotating hinge (C) on the mobile unit with the hexagon-head bolts and the washers. Make sure that:
 - the cable lead-through hole (B) is situated at the front of the unit; and
 - the long end of the pin (A) is pointing to the rear, in line with the cable lead-through hole (B)

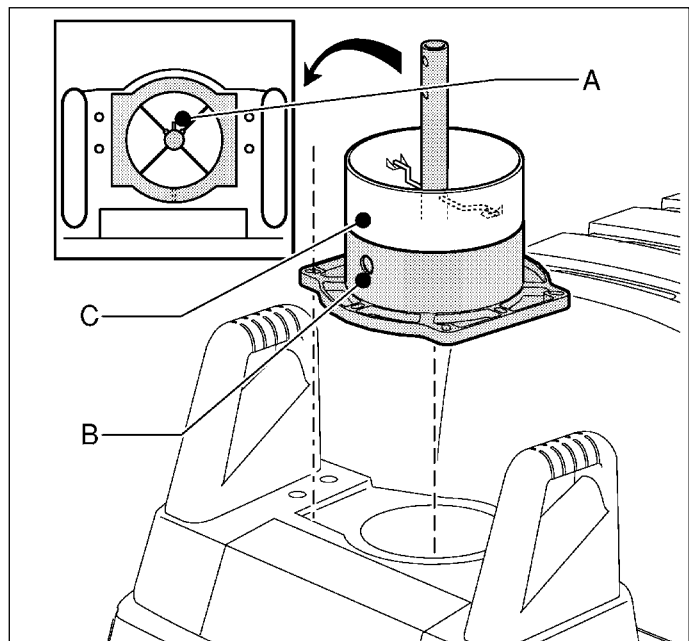


Fig. 4.1 Rotating hinge on mobile unit

Fig. 4.2

- Slide the rubber seal (B) around the rotating hinge (C).
- Fold back 2/3 of the seal.
- Put the flexible hose⁶ around the rotating hinge (C). Make sure that at least one metal ring of the hose covers the ridges of the rotating hinge.
- Unfold the seal and put it over the hose to make the connection airtight.
- Install the cover. Tighten the four fastening bolts firmly.

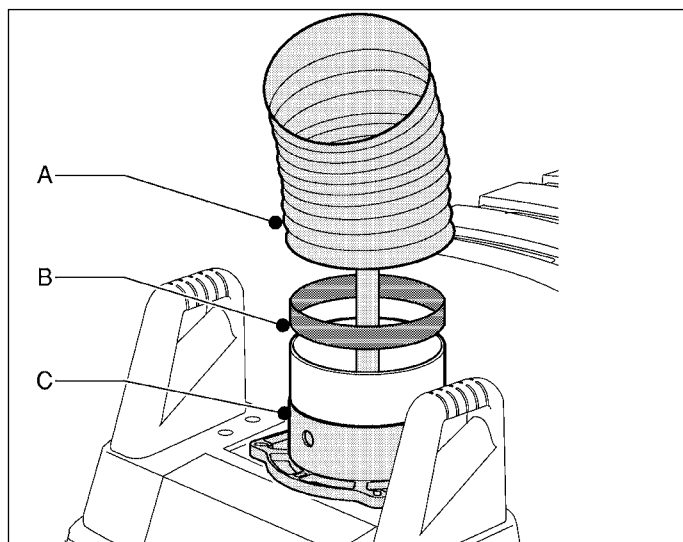


Fig. 4.2 Flexible hose

Fig. 4.3

- Install the hinge of the extraction arm (B) on the hinge rod (C) of the mobile unit with the bolts and nuts. For this purpose use the two indicated mounting holes (A).

In case the extraction arm is provided with a working light (WL) or a working light with automatic start/stop (WL-AST), you must now connect the supply cable (NCW-4). For this purpose refer to the corresponding manual.

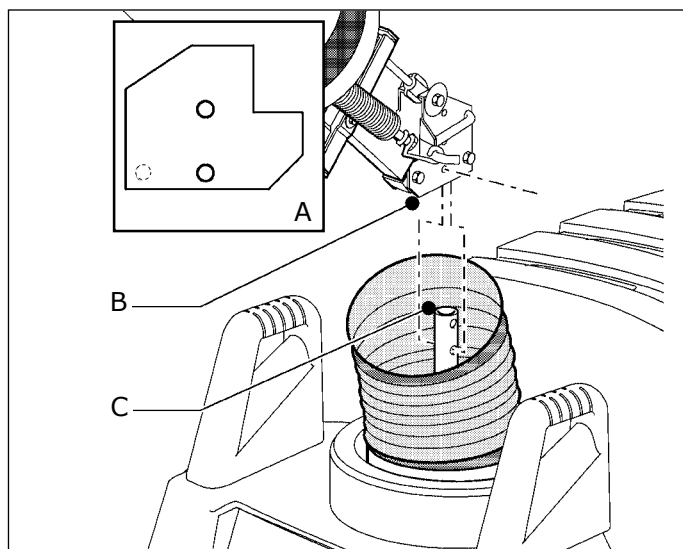


Fig. 4.3 Arm on hinge rod

- Install the flexible hoses on the arm sections and make the connections airtight with the rubber seals.
- For mounting of the hood, proceed with paragraph 4.4.4.

4.4.2 Mounting on wall brackets⁷



For mounting of the wall brackets, refer to the corresponding manual.

5. Type: Mobiflex 200-M, 400-MS or 300-E

6. Supplied with the mobile welding fume extractor

7. Type: LMB

Fig. 4.4

- Install the wall brackets.
- Install the rotating hinge (C) on the wall brackets (E) with the hexagon-head bolts and the washers. Make sure that:
 - the cable lead-through hole (A) is situated at the wall side;
 - the long end of the pin (B) is pointing to the front, in line with the cable lead-through hole (A)

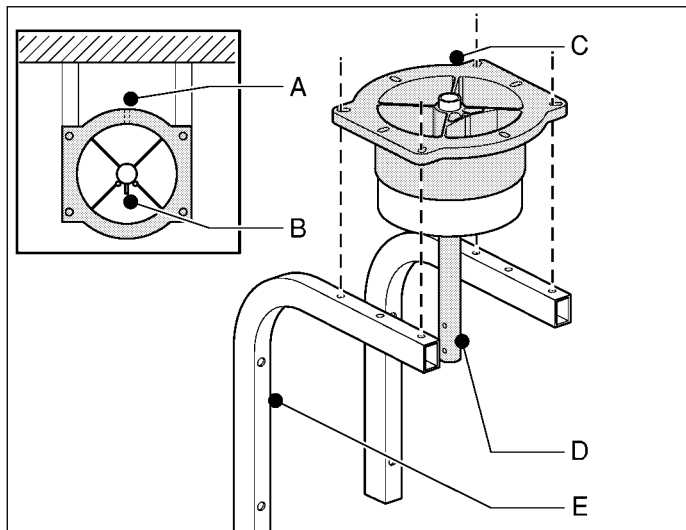


Fig. 4.4 Rotating hinge on wall brackets

Fig. 4.5

- Install the hanging adapter⁸ (D) on the hinge rod (C) with the bolts and nuts.
- Install the spring bracket (F).
- Slide the rubber seal (A) around the rotating hinge (B).
- Fold back 2/3 of the seal.
- Put the flexible hose⁹ (E) around the rotating hinge (B). At least one metal ring of the hose must cover the ridges of the rotating hinge.
- Unfold the seal and put it over the hose to make the connection airtight.

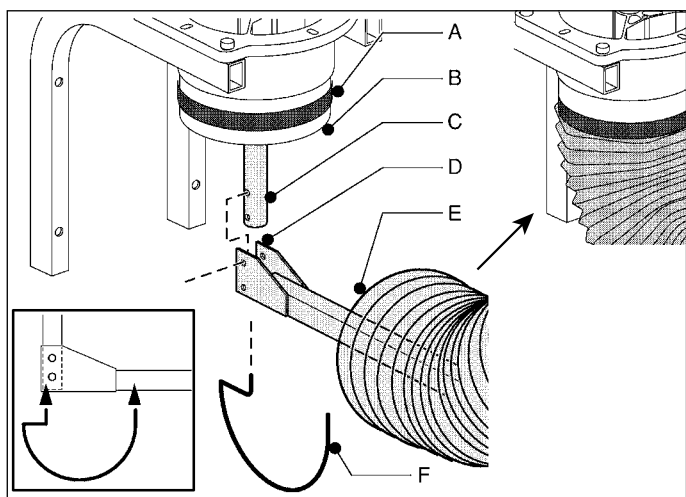


Fig. 4.5 Hanging adapter on hinge rod

Fig. 4.6

- Slide the end stop (D) on the hinge (C) of the extraction arm and install them both on the hanging adapter (B) with the bolts and nuts. For this purpose use the two indicated mounting holes (A).

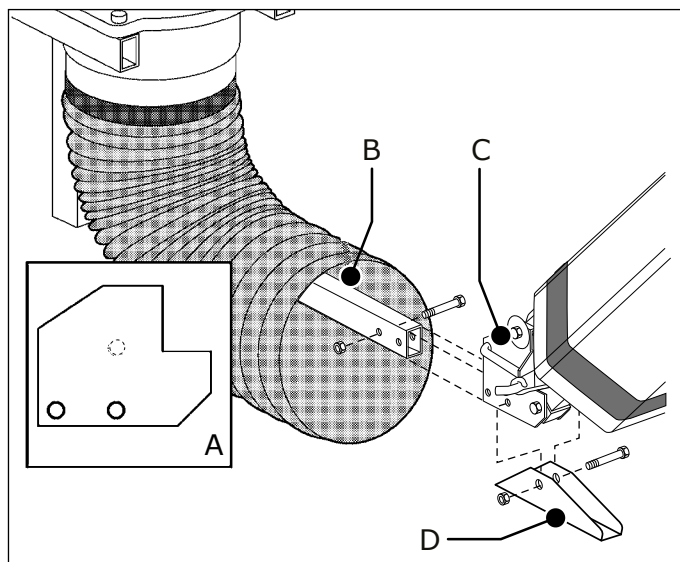


Fig. 4.6 Arm on hanging adapter

In case the extraction arm is provided with a working light (WL) or a working light with automatic start/stop (WL-AST), you must now connect the supply cable (NCW-11). For this purpose refer to the corresponding manual.

LFA 3.1 and LFA 4.1 arms only:

The LFA 3.1 and LFA 4.1 arms are supplied with a distance spring to protect the flexible hose. The spring is attached to the middle hinge of the arm with a piece of tape.

Fig. 4.7

- Take the distance spring (A) and install it at the middle hinge (B).

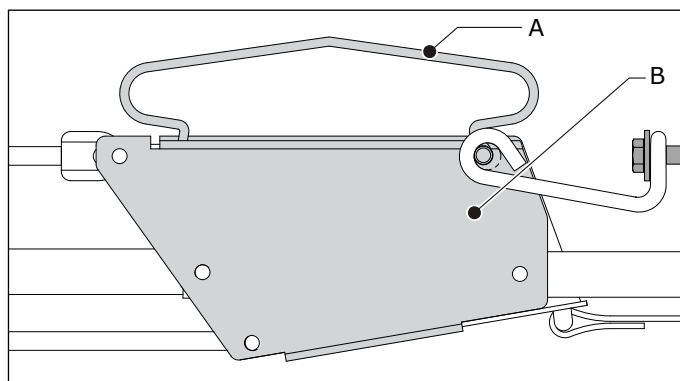
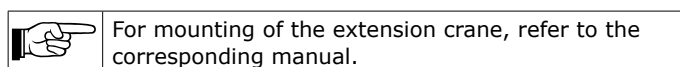


Fig. 4.7 Distance spring

All arm types:

- Install the flexible hoses on the arm sections and make the connections airtight with the rubber seals.
- For mounting of the hood, proceed with paragraph 4.4.4.

4.4.3 Mounting on an extension crane¹⁰



For mounting of the extension crane, refer to the corresponding manual.

8. Supplied with the wall brackets (LMB)

9. Supplied with the wall brackets (LMB)

10. Type: EC

Fig. 4.8

- Install the rotating hinge (A) on the mounting brackets (C) of the extension crane with the hexagon-head bolts and the washers. Make sure that:
 - the cable lead-through hole (E) is situated at the side of the crane; and
 - the long end of the pin (D) is pointing to the front, in line with the cable lead-through hole (E)

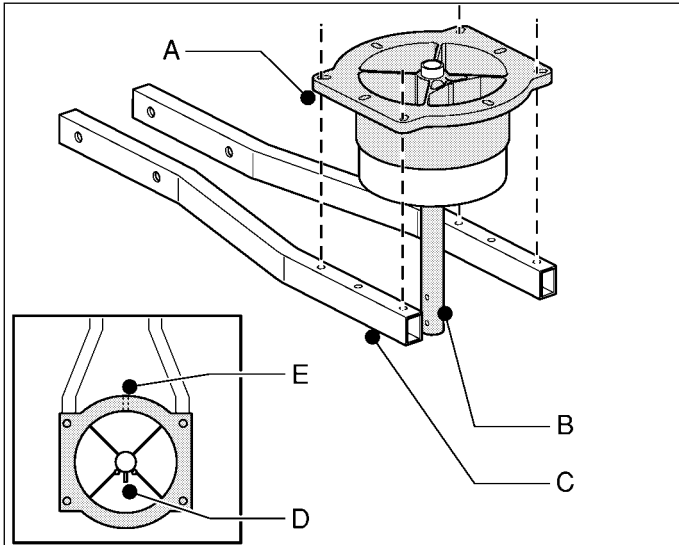


Fig. 4.8 Rotating hinge on crane

To install the arm on the rotating hinge:

- proceed with the instructions of **Fig. 4.5** and further

4.4.4 Mounting of the hood



WARNING

Leave the tape around the two arm sections until you have installed the hood.

Fig. 4.9

- Slide a rubber seal over the end of the arm section.
- Fold back 2/3 of the seal.
- Put the flexible hose and the other seal (in that sequence) temporarily over the end of the arm section (hood side).
- Install the hood on the U-section (A) with the bolt and nut.

In case the extraction arm is provided with a working light (WL) or a working light with automatic start/stop (WL-AST), you must now connect the supply cable. For this purpose refer to the corresponding manual.

- Slide the hose on the arm section. Make sure that at least one metal ring of the hose covers the ridges of the tube.
- Slide the other side of the hose over the rim of the hood. Make sure that at least one metal ring of the hose covers the ridges of the hood.
- Make the connections airtight with the rubber seals.

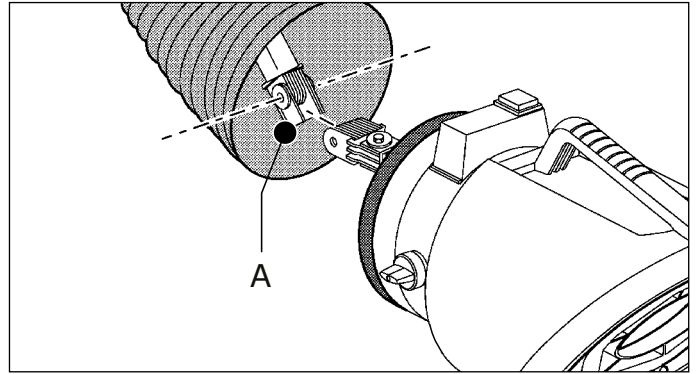


Fig. 4.9 Mounting of the hood

- Remove the tape that connects the two arm sections.
- Install the flexible hoses on the arm sections and make the connections airtight with the rubber seals.

5 USE



Personal protective equipment (PPE)

During use, use PPE to avoid injury. This also applies for persons who enter the work area.

5.1 Controls

The hood of the arm is provided with a handle for easy positioning and a throttle valve to regulate the airflow. All movement of the arm is controlled from the hood.

Fig. 5.1

- A Throttle valve
- B Handle

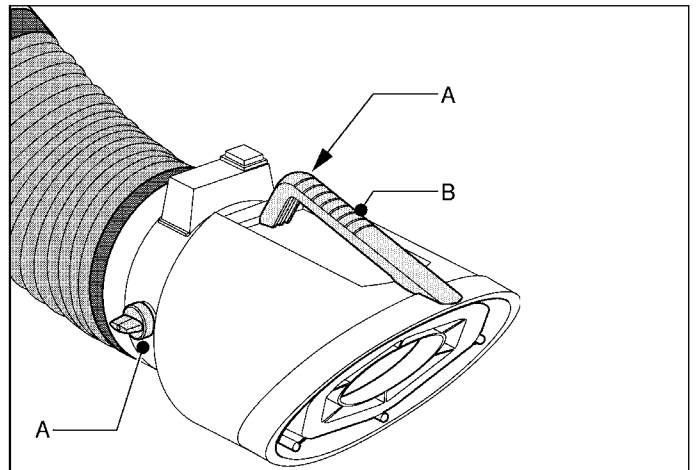


Fig. 5.1 Controls

5.2 Use

Fig. 5.2

- Use the handle (ref. Fig. 5.1B) to position the hood of the arm at max. 480 mm (19 in.) from the source of pollution.
- Make sure that the throttle valve (ref. Fig. 5.1A) is open.
- If present / desired: Turn on the working light.
- Turn on the connected extraction device^{11 12}.

11. Such as a mobile welding fume extractor, an extraction fan or extraction system

12. If you have an automatic start/stop (WL-AST or WCS), the extraction device will start automatically when you start welding

- Start welding.
- If desired, partly close the throttle valve to adjust the airflow.
- When the welding position changes, move the hood to the correct position in relation to the weld.
- Turn off the connected extraction device approx. 20 seconds after finishing welding¹³.

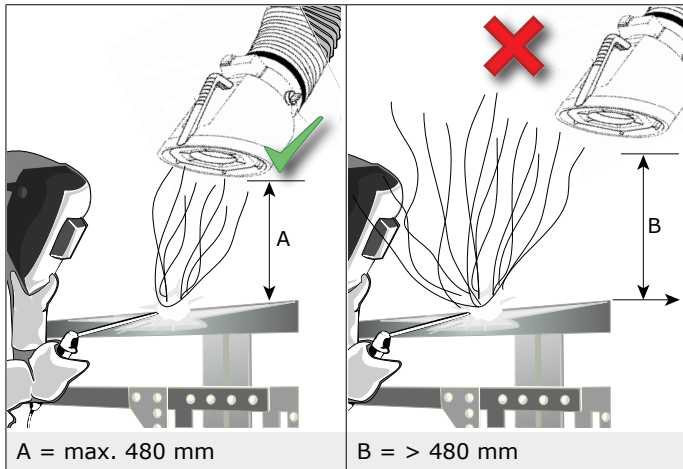


Fig. 5.2 Correct position of the hood

6 MAINTENANCE

6.1 Periodic maintenance



The product has been designed to function without problems for a long time with a minimum of maintenance. In order to guarantee this some simple, regular maintenance and cleaning activities are required which are described in this chapter.



WARNING!
Overdue maintenance can cause fire.

The indicated maintenance intervals can vary depending on the specific working and ambient conditions. Therefore we recommend to thoroughly inspect the complete product once every year beside the indicated periodic maintenance. For this purpose contact your supplier.

Component	Action	Frequency: every X months	
		X=3	X=6
General			
Outside of the arm	Clean with a non-aggressive detergent	X	
Flexible hoses	Check for cracks or damages. Replace if necessary		X
Inside of the arm	Clean thoroughly		X
Throttle valve	Check the functioning		X
Hood hinge	Check the horizontal and vertical movement of the hood. If necessary, clean the hood hinge or adjust the friction; refer to paragraph 6.2.1		X
Rotating hinge	Lubricate the axle; refer to paragraph 6.3		X
Steel cables	Check for wear		X

13. If you have an automatic start/stop (WL-AST or WCS), the extraction device will stop automatically after a certain stop delay

Component	Action	Frequency: every X months	
		X=3	X=6
LFA 3.0 LFA 4.0			
Hinge points	Check and lubricate; refer to Fig. IV (C) on page 61		X
Middle hinge	Check the friction. Adjust if necessary; refer to Fig. IV (A) on page 61		X
LFA 3.1 LFA 4.1			
Hinge points	Check and lubricate; refer to Fig. V (C) on page 62		X
Steel cable near the balance wheel	Check and lubricate; refer to Fig. V (B) on page 62		X
Balance construction	Check the balance of the extraction arm. Adjust if necessary; refer to Fig. V (A) on page 62		X

6.2 Balance system

If the extraction arm, or a part of it, does not stay in the desired position, you must adjust the friction and/or balance system.

To examine and adjust the balance system, do the following.

Fig. 6.1

- Pull the arm (including the hood) into a horizontal position.
- Fold the arm.
- Move the arm and hood up and down, left and right in straight and folded position.

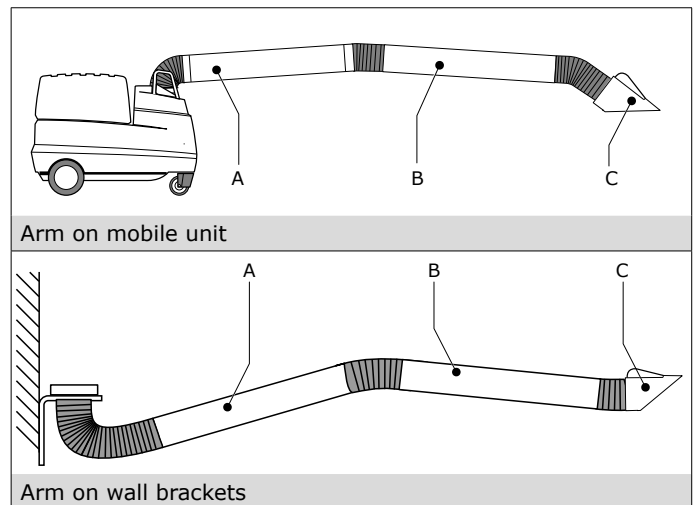
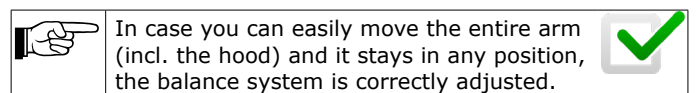


Fig. 6.1 Arm in horizontal position



For adjustment of the extraction hood (C):

- proceed with paragraph **6.2.1**

For adjustment of the arm section (hood side) (B):

- proceed with paragraph **6.2.2**

For adjustment of the arm section (wall/unit side) (A):

- proceed with paragraph **6.2.3**

6.2.1 Hood hinge

Friction too high

If it is difficult to move the hood, it is possible that the hood hinge is polluted. In that case, do the following.

- Disassemble the flexible hose.
- Cut the cable ties and pull down the rubber protection cover¹⁴.
- Clean the hood hinge.
- Adjust the friction (see instructions of Fig. 6.2).
- Install the protection cover over the hood hinge and attach it with two new cable ties.
- Install the flexible hose. Make sure that the connection is airtight.

Friction too low

If the hood does not stay in the desired position, you must tighten the friction.

Fig. 6.2

- Disassemble the flexible hose.
- Cut the cable ties and pull down the rubber protection cover.
- Determine which part of the hinge needs adjustment:
 - vertical movement (A); or
 - horizontal movement (B)
- Tighten the corresponding bolt and nut.
- Install the protection cover over the hood hinge and attach it with two cable ties.
- Install the flexible hose. Make sure that the connection is airtight.

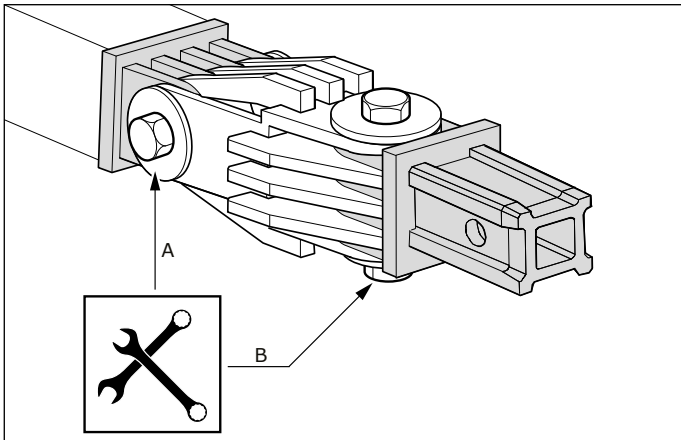


Fig. 6.2 Hood hinge

6.2.2 Arm section (hood side)

To adjust the balance, you must disconnect the flexible hose of the middle hinge. When it is done, install the hose and make the connections airtight with the rubber seals.

LFA 3.0 and LFA 4.0 arms

Fig. 6.3 (also refer to Fig. 6.1B)

- Pull the arm (including the hood) into a horizontal position.

If the arm section falls down:

- Turn the bolt M8 (A) clockwise to tighten the friction.

If the arm section is hard to move down:

- Turn the bolt M8 (A) counterclockwise to loosen the friction.

If the arm section is hard to move up:

- Turn the bolt M8 (B) counterclockwise until you can move up the arm section smoothly.

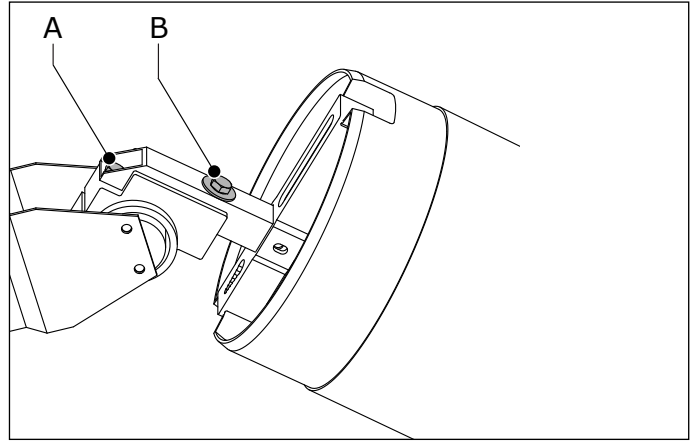


Fig. 6.3 Middle hinge – LFA 3.0 | LFA 4.0

LFA 3.1 and LFA 4.1 arms

Fig. 6.4 (also refer to Fig. 6.1B)

- Pull the arm (including the hood) into a horizontal position.

If the arm section falls down:

- Tighten the bolt (A) to increase the spring tension.

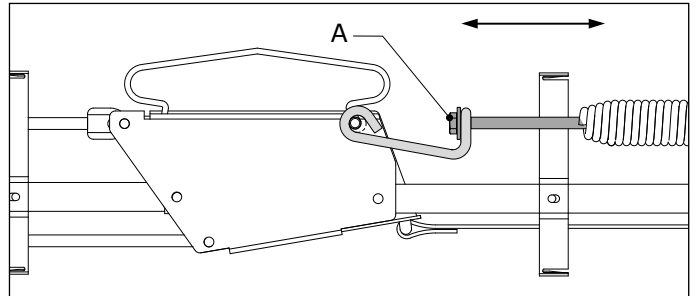


Fig. 6.4 Middle hinge – LFA 3.1 | LFA 4.1

6.2.3 Arm section (wall/unit side)

To adjust the balance, you must disconnect the flexible hose of the hinge at the wall/unit side. When it is done, install the hose and make the connections airtight with the rubber seals.

Fig. 6.5 (also refer to Fig. 6.1A)

- Pull the arm (including the hood) into a horizontal position.

If the entire arm falls down:

- Tighten the bolt (A) to increase the spring tension. Make sure that the spring (B) does not turn while you tighten the bolt.

14. If the rubber protection cover is damaged, you must replace it

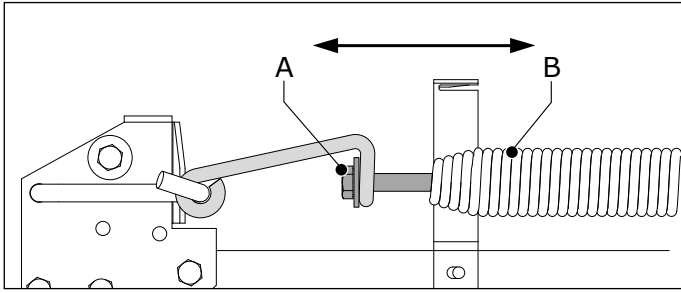


Fig. 6.5 Hinge of the wall/unit side

6.3 Lubrication of the rotating hinge

To make sure that the rotating hinge can turn freely, you must lubricate the axle regularly.

Fig. 6.6

- (B) Apply grease into the grease nipple with a grease gun.

Recommended grease type: standard EP2 bearing grease

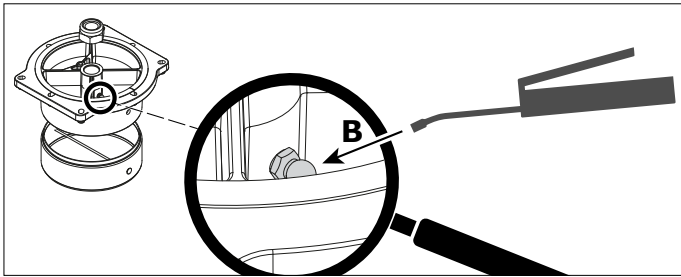


Fig. 6.6 Lubrication of the rotating hinge

7 TROUBLESHOOTING

If the product does not function (correctly), consult the checklist below to see if you can remedy the error yourself. Should this not be possible, contact your supplier.



WARNING!

Obey the safety regulations that are written in chapter 3 when you carry out the activities below.

Symptom	Problem	Possible cause	Solution
General			
Extraction capacity is insufficient	Pollution of the facility	Throttle valve is closed	Open the throttle valve
		Flexible hose(s) torn or loose	Replace flexible hose(s) or install correctly
		Rubber seal(s) torn or installed incorrectly	Replace rubber seal(s) or install correctly
		Outside air is extracted into the connected duct system	Make the duct system airtight

Symptom	Problem	Possible cause	Solution
Extraction hood not in balance	Hood does not stay in the desired position	Not enough friction	Adjust the friction of the hood hinge; refer to paragraph 6.2.1
	You cannot move the hood in the desired position	Too much friction	
Entire arm (both arm sections) falls down	Arm does not stay in the desired position	Spring tension too low	Increase the spring tension of the hinge at the wall/unit side; refer to paragraph 6.2.3
LFA 3.0 LFA 4.0			
Extraction arm creaks or squeaks	Arm does not move smoothly	Insufficient lubrication	Lubricate the hinge points; refer to Fig. IV (C) on page 61
Movement problem of the hood side of the arm	Friction in the middle hinge	Not enough friction due to aging	Adjust the friction in the middle hinge; refer to paragraph 6.2.2 (LFA 3.0 and LFA 4.0 arms)
		Too much friction	
		Too much friction due to pollution	Clean the friction mechanism in the middle hinge
LFA 3.1 LFA 4.1			
Extraction arm creaks or squeaks	Arm does not move smoothly; excessive wear of parts	Insufficient lubrication	Lubricate the hinge points; refer to Fig. V (C) on page 62
			Lubricate the steel cable near the balance wheel; refer to Fig. V (B) on page 62
The hood side of the arm falls down	Arm does not stay in the desired position	Spring tension too low	Increase the spring tension; refer to paragraph 6.2.2 (LFA 3.1 and LFA 4.1 arms)

8 SPARE PARTS

The following spare parts are available for the products;



8.1 LFA 3.0 | LFA 4.0

Refer to exploded view Fig. VI on page 63 and the spare parts list on page 64

8.2 LFA 3.1 | LFA 4.1

Refer to exploded view Fig. VII on page 65 and the spare parts list on page 66

9 DISPOSAL

After life of the product, dispose of it in accordance with federal, state or local regulations.



VOORWOORD

Gebruik van deze handleiding

Deze handleiding is bedoeld als naslagwerk waarmee professionele, geschoolde en daartoe bevoegde gebruikers het aan de voorzijde van dit document vermelde product op veilige wijze kunnen installeren, gebruiken, onderhouden en repareren.

Pictogrammen en symbolen

In deze handleiding worden de volgende pictogrammen en symbolen gebruikt:

	TIP Suggesties en adviezen om de betreffende taken of handelingen gemakkelijker te kunnen uitvoeren.
	LET OP! Een opmerking met aanvullende informatie voor de gebruiker. Een opmerking maakt de gebruiker attent op mogelijke problemen.
	VOORZICHTIG Procedures die -wanneer ze niet met de nodige voorzichtigheid worden uitgevoerd- schade aan het product, de omgeving of het milieu tot gevolg kunnen hebben.
	WAARSCHUWING Procedures die -wanneer ze niet met de nodige voorzichtigheid worden uitgevoerd- ernstige schade aan het product of lichamelijk letsel tot gevolg kunnen hebben.
	WAARSCHUWING Brandgevaar! Belangrijke waarschuwing ter voorkoming van brand.
	WAARSCHUWING Explosiegevaar! Belangrijke waarschuwing ter voorkoming van explosies.
	Persoonlijke beschermingsmiddelen (PBM) Instructie voor het gebruik van adembescherming bij het uitvoeren van service-, onderhouds- en reparatiewerkzaamheden en tijdens het uitvoeren van een functionele test. Wij adviseren een halfgelaatsmasker volgens EN 149:2001 + A1:2009, klasse FFP3 (Richtlijn 89/686/EEC).
	Persoonlijke beschermingsmiddelen (PBM) Instructie voor het gebruik van beschermende handschoenen bij het uitvoeren van service-, onderhouds- en reparatiewerkzaamheden.

Tekstaanduidingen

Tekst aangegeven met een "-" (koppelteken) betreft een opsomming.

Tekst aangegeven met een "•" (bulletpoint) beschrijft de te verrichten stappen.

1 INLEIDING

1.1 Identificatie van het product

Het identificatieplaatje bevat o.a. de volgende gegevens:

- productnaam
- serienummer



1.2 Algemene beschrijving

De LFA is een flexibele afzuigarm met een draibare kap *RotaHood* en is 360° draaibaar. De kap is voorzien van de smookklep en een focus extraction spoiler, die de lucht in de kap transporteert.

Er zijn twee types armen:

1.2.1 LFA 3.0 | LFA 4.0

Deze armen zijn voorzien van het *DeBlock* geavanceerde frictiesysteem waardoor de arm makkelijk en licht te positioneren is.

1.2.2 LFA 3.1 | LFA 4.1

Deze armen zijn voorzien van het *Balance* veerbalanssysteem voor ultralichte, gebruikersvriendelijke positionering van de arm.

1.3 Opties en accessoires


Voor meer gebruiksgemak kunt u een van de volgende accessoires kiezen:

- WL | Werklamp
- WL-AST | Werklamp + automatische start/stop
- WCS | Laskabelsensor

1.4 Productcombinaties

De LFA armen zijn geschikt voor zowel mobiele als stationaire lasrookafzuigsystemen.



 Zie Fig. I op pagina 59 voor details.

Ze kunnen ook in centrale afzuigsystemen worden gebruikt¹.

1.5 Technische specificaties



Afmetingen en eigenschappen

Armlengte:	
- LFA 3.0 LFA 3.1	- 3 m
- LFA 4.0 LFA 4.1	- 4 m
Diameter	Ø 203 mm
Materiaal:	
- buizen en kap	- polypropyleen copolymeer met UV-stabilisatie
- slangen	- glasvezelversterkt PVC met metalen veren
Gewicht:	
- LFA 3.0 LFA 3.1	- 15 kg
- LFA 4.0 LFA 4.1	- 17 kg

Prestatie

Aanbevolen luchtstroom	max. 1600 m ³ /h
------------------------	-----------------------------

1.6 Werkbereik

Zie Fig. II op pagina 60.

1.7 Drukval

Zie Fig. III op pagina 60.

1.8 Omgevings- en procescondities

Procestemperatuur:	
- min.	5°C
- nom.	20°C
- max.	45°C
Max. relatieve vochtigheid	80%
Geschikt voor buitengebruik	nee

1. Systemen met een centrale afzuigleiding, met of zonder filtersysteem

2 PRODUCTBESCHRIJVING

2.1 Componenten

Het product bestaat uit de volgende hoofdcomponenten en -elementen:

Fig. 2.1

- A Aansluitflens met draaischarnier
- B Rubber manchet
- C Flexibele slang
- D Armstuk (muur-/unitzijde)
- E Middenscharnier
- F Kap
- G Handgreep
- H Draaiknop om de smoorklep te bedienen
- I Smoorklep
- J Kapscharnier
- K Armstuk (kapzijde)

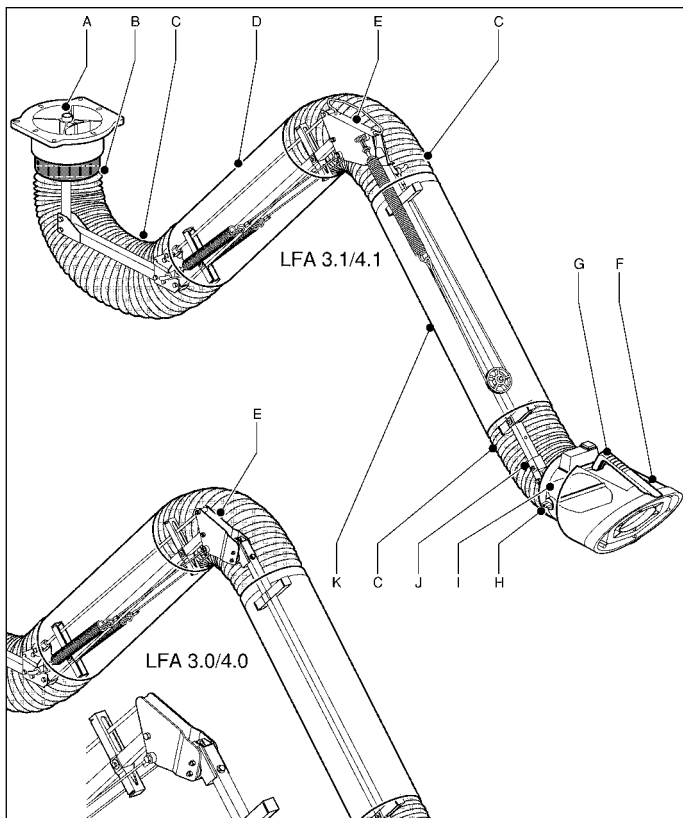


Fig. 2.1 Hoofdcomponenten en -elementen

2.2 Werking

2.2.1 Mobiel gebruik

De lasrook wordt door de kap van de afzuigarm aangezogen door de ventilator van een mobiele lasrookafzuiger². De arm voert de vervuilde lucht af naar de filterunit.

De arm is voorzien van een smoorklep om de luchtstroom te reguleren.

2.2.2 Stationair gebruik

De lasrook wordt door de kap van de afzuigarm aangezogen door een individuele of centrale ventilator. De arm voert de vervuilde lucht naar een afzuigkanaal met een filterunit of direct naar buiten.

2. Type: Mobiflex 200-M, 400-MS of 300-E

De arm is voorzien van een smoorklep om de luchtstroom te reguleren.

3 VEILIGHEIDSVOORSCHRIFTEN

Algemeen

De fabrikant aanvaardt geen enkele aansprakelijkheid voor schade of letsel veroorzaakt door het niet (strikt) naleven van de veiligheidsvoorschriften en -instructies in deze handleiding, dan wel door onachtzaamheid tijdens installatie, gebruik, onderhoud en reparatie van het op de voorzijde van dit document vermelde product en de eventuele bijbehorende accessoires. Afhankelijk van de specifieke werkomstandigheden of gebruikte accessoires kunnen aanvullende veiligheidsinstructies nodig zijn. Neem direct contact op met uw leverancier indien u bij het gebruik van het product een potentieel gevaar hebt geconstateerd.



De gebruiker van het product is te allen tijde volledig verantwoordelijk voor de naleving van de plaatselijk geldende veiligheidsvoorschriften en -richtlijnen. Respecteer dan ook alle veiligheidsvoorschriften en -richtlijnen die van toepassing zijn.

Gebruikershandleiding

- Een ieder die aan of met het product werkt, dient van de inhoud van deze handleiding op de hoogte te zijn en de instructies daarin nauwgezet op te volgen. De bedrijfsleiding dient het personeel aan de hand van de handleiding te onderrichten en alle voorschriften en aanwijzingen in acht te nemen.
- Wijzig nooit de volgorde van de te verrichten handelingen.
- Bewaar de handleiding steeds in de nabijheid van het product.

Gebruikers

- Gebruik van het product is uitsluitend voorbehouden aan daartoe opgeleide en bevoegde gebruikers. Tijdelijke werkrachten en personen in opleiding mogen het product uitsluitend onder toezicht en verantwoording van vaklui gebruiken.
- Blijf voortdurend opletten en houd uw aandacht bij het werk. Gebruik het product niet als u onder invloed bent van drugs, alcohol of medicijnen.
- Het product mag niet worden gebruikt door kinderen of personen met beperkte fysieke, zintuiglijke of mentale vermogens, tenzij onder toezicht of instructie.
- Kinderen moeten onder toezicht staan om te voorkomen dat ze met het product gaan spelen.

Gebruik volgens bestemming³

Het product is uitsluitend ontworpen voor het afzuigen van rook en deeltjes die vrijkomen bij de meest voorkomende las- en snijprocessen. Elk ander of verdergaand gebruik geldt niet als conform de bestemming. Elk ander of verdergaand gebruik geldt niet als conform de bestemming. Voor schade of letsel dat hiervan het gevolg is, aanvaardt de fabrikant geen enkele aansprakelijkheid. Het product is in overeenstemming met de vigerende normen en richtlijnen gebouwd. Gebruik het product uitsluitend in technisch perfecte conditie, conform de hierboven beschreven bestemming.

3. "Gebruik volgens bestemming" zoals vastgelegd in de EN-ISO 12100-1 is het gebruik waarvoor het technisch product volgens de opgave van de fabrikant -inclusief diens aanwijzingen in de verkoopbrochure- geschikt is. Bij twijfel is dat het gebruik dat uit de constructie, uitvoering en functie van het product als gebruikelijk naar voren komt. Tot het gebruik volgens bestemming behoort ook het in acht nemen van de instructies in de gebruikershandleiding.

Technische specificaties

De in deze handleiding vermelde specificaties mogen niet worden gewijzigd.

Modificaties

Modificatie van (onderdelen van) het product is niet toegestaan.




Productcombinaties

Indien het product wordt gebruikt in combinatie met andere producten of machines, zijn eveneens de in de documentatie van deze producten opgenomen veiligheidsvoorschriften van toepassing.

Installatie

- Installatie van het product is uitsluitend voorbehouden aan daartoe opgeleide en bevoegde installateurs.
- Draag tijdens installatie altijd persoonlijke beschermingsmiddelen (PBM) ter voorkoming van letsel. Dit geldt ook voor personen die tijdens installatie in het werkgebied aanwezig zijn.
- Gebruik bij werkzaamheden hoger dan 2 meter goedgekeurd klimmateriaal voor werken op de desbetreffende hoogte (houd rekening met eventuele lokale voorschriften).
- Installeer het product nooit voor in-, uit- en doorgangen die zijn bedoeld voor hulpdiensten.
- Houd rekening met eventuele gas-, water- en elektraleidingen.
- Zorg voor voldoende verlichting.
- Blijf voortdurend opletten en houd uw aandacht bij het werk. Installeer het product niet als u onder invloed bent van drugs, alcohol of medicijnen.
- Lucht die chroom-, nikkel-, beryllium-, cadmium- of looddeeltjes etc. bevat, mag nooit worden gerecycled. Deze lucht moet altijd buiten de werkruimte worden gebracht.

Gebruik

	WAARSCHUWING Brandgevaar! Gebruik het product niet voor: <ul style="list-style-type: none">- polijsten in combinatie met slijpen, lassen of andere toepassingen die vonken veroorzaken (vezels van polijst- of slijpschijven zijn zeer brandbaar en vormen een hoog risico op filterbrand bij blootstelling aan vonken)- booggutsen- afzuiging van ontvlambare, gloeiende of brandende deeltjes of vloeistoffen- afzuiging van agressieve rook en gassen (bv. van zuren en alkaline) of scherpe voorwerpen- afzuiging van deeltjes die vrijkomen bij het lassen aan oppervlakten die met primer zijn behandeld- afzuiging van sigaretten, sigaren, tissues of andere brandende deeltjes, voorwerpen of zuren
	WAARSCHUWING Explosiegevaar! Gebruik het product niet voor explosiegevaarlijke toepassingen, zoals: <ul style="list-style-type: none">- aluminium lasersnijden- slijpen van aluminium en magnesium- alle situaties waarin explosies kunnen voorkomen; explosieve stoffen/gassen
	WAARSCHUWING Gebruik het product niet voor: <ul style="list-style-type: none">- afzuiging van hete gassen (hoger dan 70°C continue)- vlamspuiten- olienevel- lasrook met zware olienevel- afzuiging van cement, zaagsel, houtsnippers etc.

- Inspecteer het product en controleer het op beschadigingen. Verifieer de werking van de veiligheidsvoorzieningen.
- Draag tijdens gebruik altijd persoonlijke beschermingsmiddelen (PBM) ter voorkoming van letsel. Dit geldt ook voor personen die in het werkgebied aanwezig zijn.
- Controleer de werkomgeving. Laat onbevoegden niet in de werkomgeving toe.
- Bescherm het product tegen water of vocht.
- Zorg altijd voor voldoende ventilatie, met name in kleine ruimten.
- Zorg ervoor dat op de werkplek, in de nabijheid van het product, voldoende goedgekeurde brandblussers (geschikt voor brandklassen ABC) aanwezig zijn.

Service, onderhoud en reparatie

- Respecteer de in deze handleiding gegeven onderhoudsintervallen. Achterstallig onderhoud kan leiden tot hoge kosten voor reparaties en revisies en kan aanspraken op garantie doen vervallen.
- Draag tijdens altijd persoonlijke beschermingsmiddelen (PBM) ter voorkoming van letsel. Dit geldt ook voor personen die in het werkgebied aanwezig zijn.
- Zorg voor voldoende ventilatie.
- Gebruik altijd door de fabrikant goedgekeurde gereedschappen, onderdelen, materialen en service-technieken. Gebruik nooit versleten gereedschap en laat geen gereedschap in of op het product achter.
- Veiligheidsvoorzieningen die ten behoeve van service, onderhoud of reparatie zijn verwijderd, moeten na deze werkzaamheden onmiddellijk worden gemonteerd en op correct functioneren worden gecontroleerd.
- Gebruik bij werkzaamheden hoger dan 2 meter goedgekeurd klimmateriaal voor werken op de desbetreffende hoogte (houd rekening met eventuele lokale voorschriften).
- Maak het werkgebied na het afronden van de werkzaamheden schoon.

	LET OP! Service, onderhoud en reparatie mag alleen worden uitgevoerd conform de richtlijnen TRGS 560 en TRGS 528 door daartoe bevoegd, gekwalificeerd en getraind personeel, dat gebruik maakt van de juiste werkmethoden.
 	Persoonlijke beschermingsmiddelen (PBM) Draag adembescherming en beschermende handschoenen bij het uitvoeren van service-, onderhouds- en reparatiewerkzaamheden.

4 INSTALLATIE

4.1 Gereedschappen en benodigdheden

Om het product te installeren, heeft u de volgende gereedschappen en benodigdheden nodig:

- basisgereedschap



4.2 Apart aan te schaffen

Wanneer u de afzuigarm op wandbeugels gaat monteren, heeft u extra bevestigingsmateriaal voor montage van de beugels nodig. Dit materiaal is afhankelijk van het type muur. Zie de handleiding van de wandbeugels voor montageinstructies.



4.3 Uitpakken

Controleer of het product compleet is. De inhoud van de verpakking bestaat uit:

- draaischarnier (compleet)
- 2 armstukken (geassembleerd) met rubber manchetten
- rubber manchet (2)
- kap
- flexibele slang (voor het kapscharnier)
- eindstop⁴
- bevestigingsmateriaal



Indien er onderdelen ontbreken of beschadigd zijn, neem dan contact op met uw leverancier.

De flexibele slangen zijn samengevouwen met een band. U moet deze doorknippen voordat u de slangen bevestigt.

4.4 Installatiemogelijkheden

U kunt de afzuigarm op drie verschillende manieren monteren.

Voor montage op/aan:

- een mobiele unit (lasrookafzuiger type Mobiflex 200-M, 400-MS of 300-E), ga verder met paragraaf 4.4.1
- wandbeugels (type LMB), ga verder met paragraaf 4.4.2
- een verlengkraan (type EC), ga verder met paragraaf 4.4.3



WAARSCHUWING

Laat de tape die de twee armstukken bijeen houdt zitten, totdat u de hele arm - inclusief de kap - heeft gemonteerd.

4.4.1 Montage op een mobiele unit⁵

Fig. 4.1

- Draai de vier bevestigingsbouten van de afdekkap van het bedieningspaneel los.
- Verwijder de afdekkap.
- Monteer het draaischarnier (C) op de mobiele unit met de zeskantbouten en de sluitringen. Controleer of:
 - de kabeldoorvoer (B) aan de voorkant van de unit zit;
 - het lange eind van de stift (A) naar achteren wijst, in lijn met de kabeldoorvoer (B)

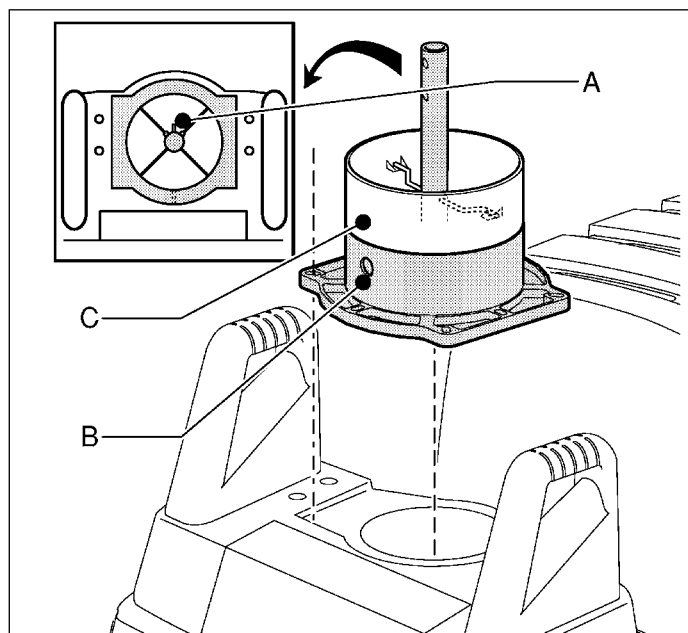


Fig. 4.1 Draaischarnier op mobiele unit

4. Als u de arm op een mobiele unit monteert, is de eindstop overbodig

5. Type: Mobiflex 200-M, 400-MS of 300-E

Fig. 4.2

- Schuif de rubber manchet (B) over het draaischarnier (C).
- Vouw de manchet 2/3 terug.
- Schuif de flexibele slang⁶ over het draaischarnier (C). Zorg ervoor dat tenminste één metalen ring van de slang de nokjes van het draaischarnier bedekt.
- Vouw het manchet weer open en schuif hem over de slang om de aansluiting luchtdicht te maken.
- Installeer de afdekkap. Draai de vier bevestigingsbouten goed vast.

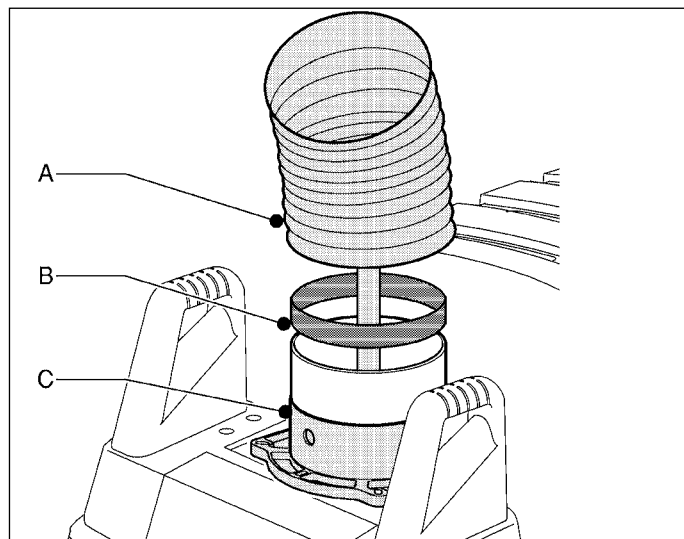


Fig. 4.2 Flexibele slang

Fig. 4.3

- Monteer het scharnier van de afzuigarm (B) op de scharnierstang (C) van de mobiele unit met de bouten en moeren. Gebruik hiervoor de twee aangegeven montagegaten (A).

Als de afzuigarm is geleverd met een werklamp (WL) of werklamp met automatische start/stop (WL-AST), moet u nu de voedingskabel (NCW-4) aansluiten. Zie hiervoor de desbetreffende handleiding.

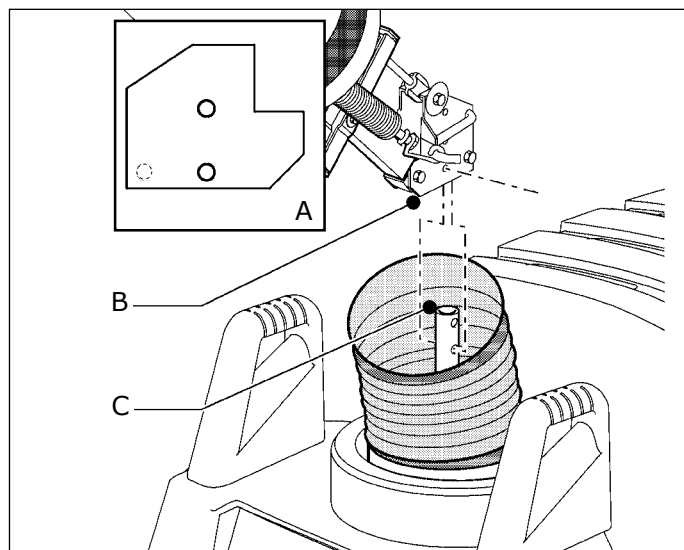


Fig. 4.3 Arm op scharnierstang

- Schuif de flexibele slangen over de armstukken en maak de aansluitingen luchtdicht met de manchetten.
- Voor montage van de kap, ga verder met paragraaf 4.4.4.

6. Meegeleverd met de mobiele lasrookafzuiger

4.4.2 Montage op wandbeugels⁷

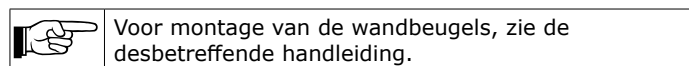


Fig. 4.4

- Monteer de wandbeugels.
- Monteer het draaischarnier (C) op de wandbeugels (E) met de zeskantbouten en de sluitringen. Controleer of:
 - de kabeldoorvoer (A) aan de muurzijde zit; en
 - het lange eind van de stift (B) naar voren wijst, in lijn met de kabeldoorvoer (A)

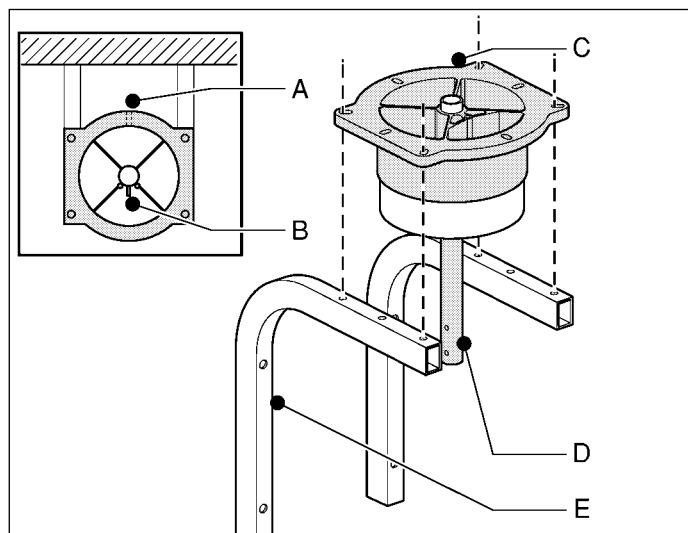


Fig. 4.4 Draaischarnier op wandbeugels

Fig. 4.5

- Monteer de hangadapter⁸ (D) aan de scharnierstang (C) met de bouten en moeren.
- Monteer de veerbeugel (F).
- Schuif de rubber manchet (A) over het draaischarnier (B).
- Vouw de manchet 2/3 terug.
- Schuif de flexibele slang⁹ over het draaischarnier (B). Zorg ervoor dat tenminste één metalen ring van de slang de nokjes van het draaischarnier bedekt.
- Vouw het manchet weer open en schuif hem over de slang om de aansluiting luchtdicht te maken.

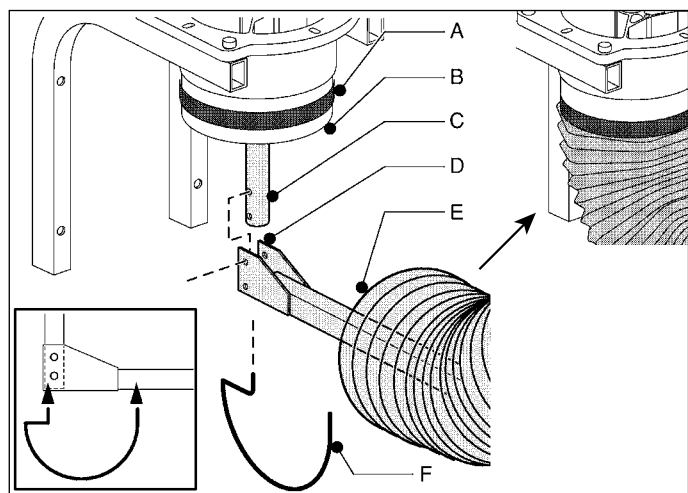


Fig. 4.5 Hangadapter aan de scharnierstang

7. Type: LMB

8. Meegeleverd met de wandbeugels (LMB)

9. Meegeleverd met de wandbeugels (LMB)

Fig. 4.6

- Schuif de eindstop (D) over het scharnier (C) van de afzuigarm en installeer beide aan de hangadapter (B) met de bouten en moeren. Gebruik hiervoor de twee aangegeven montagegaten (A).

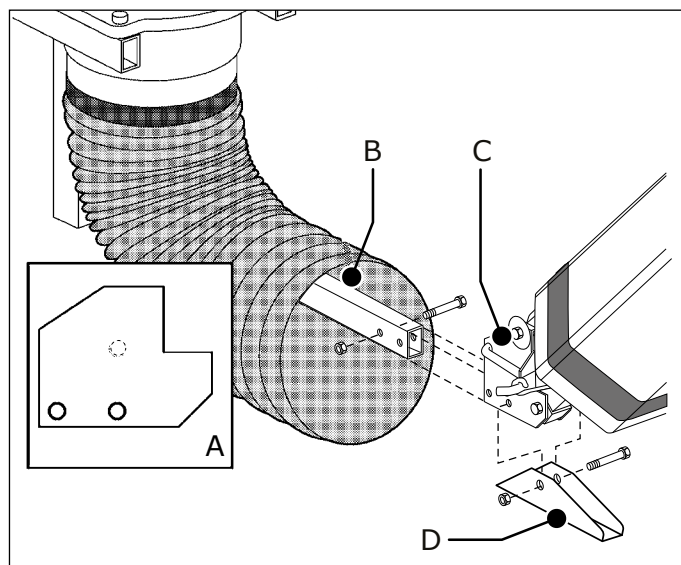


Fig. 4.6 Arm aan hangadapter

Als de afzuigarm is geleverd met een werklamp (WL) of werklamp met automatische start/stop (WL-AST), moet u nu de voedingskabel (NCW-11) aansluiten. Zie hiervoor de desbetreffende handleiding.

Alleen voor LFA 3.1 en LFA 4.1 armen:

De LFA 3.1 en LFA 4.1 armen worden geleverd met een afstandsveer om de flexibele slang te beschermen. De veer is met tape vastgemaakt aan het middenscharnier.

Fig. 4.7

- Neem de afstandsveer (A) en installeer hem op het middenscharnier (B).

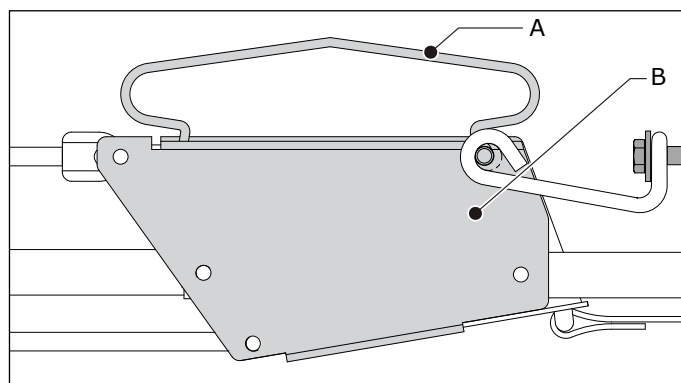
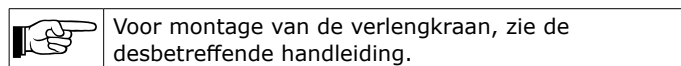


Fig. 4.7 Afstandsveer

Alle armtypes:

- Schuif de flexibele slangen over de armstukken en maak de aansluitingen luchtdicht met de manchetten.
- Voor montage van de kap, ga verder met paragraaf 4.4.4.

4.4.3 Montage aan een verlengkraan¹⁰



10. Type: EC

Fig. 4.8

- Monteer het draaischarnier (A) op de bevestigingsbeugels (C) van de verlengkraan met de zeskantbouten en de sluitringen. Controleer of:
 - de kabeldoorvoer (E) aan de kant van de kraan zit; en
 - het lange eind van de stift (D) naar voren wijst, in lijn met de kabeldoorvoer (E)

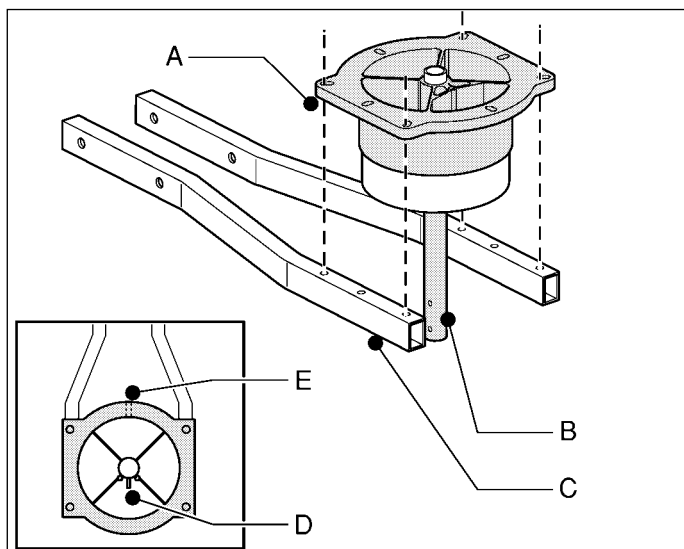


Fig. 4.8 Draaischarnier aan de kraan

Om de arm op het draaischarnier te monteren:

- ga verder met de instructies van **Fig. 4.5** en verder

4.4.4 Montage van de kap



WAARSCHUWING

Laat de tape die de twee armstukken bijeen houdt zitten, totdat u de kap heeft gemonteerd.

Fig. 4.9

- Schuif een manchet over de uiteinden van de armstukken.
- Vouw de manchet 2/3 terug.
- Schuif de flexibele slang en de andere manchet (in die volgorde) tijdelijk over het uiteinde van het armstuk (kapzijde).
- Monteer de kap aan het U-deel (A) met de bout en moer.

Als de afzuigarm is geleverd met een werklamp (WL) of werklamp met automatische start/stop (WL-AST), moet u nu de voedingskabel aansluiten. Zie hiervoor de desbetreffende handleiding.

- Schuif de slang over het armstuk. Zorg ervoor dat tenminste één metalen ring van de slang de nokjes van de buis bedekt.
- Schuif de andere kant van de slang over de rand van de kap. Zorg ervoor dat tenminste één metalen ring van de slang de nokjes van de kap bedekt.
- Maak de aansluitingen luchtdicht met de manchetten.

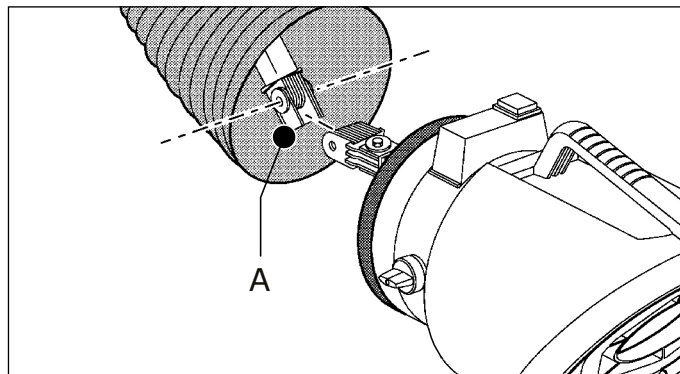


Fig. 4.9 Montage van de kap

- Verwijder de tape om de twee armstukken.
- Schuif de flexibele slangen over de armstukken en maak de aansluitingen luchtdicht met de manchetten.

5 GEBRUIK



Persoonlijke beschermingsmiddelen (PBM)

Draag tijdens gebruik altijd PBM ter voorkoming van letsels. Dit geldt ook voor personen die in het werkgebied aanwezig zijn.

5.1 Bedieningsorganen

De kap is voorzien van een handgreep om de arm eenvoudig te positioneren en een smookklep om de luchtstroom te reguleren. Alle bewegingen van de arm worden via de kap geregeld.

Fig. 5.1

A Smookklep

B Handgreep

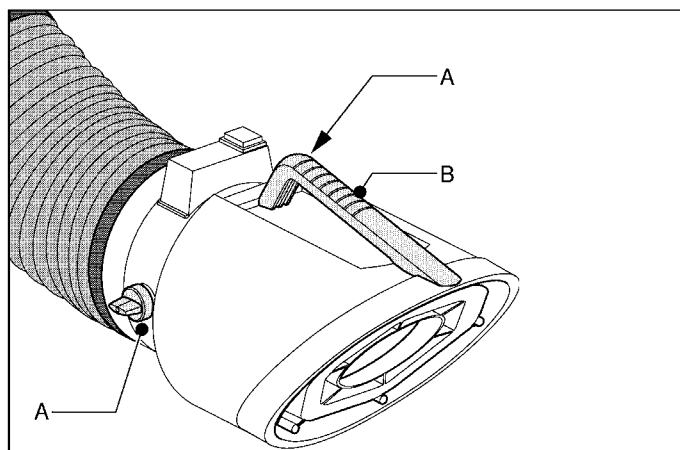


Fig. 5.1 Bedieningsorganen

5.2 Gebruik

Fig. 5.2

- Gebruik de handgreep (zie Fig. 5.1B) om de kap op max. 480 mm van de vervuilsbron te positioneren.
- Controleer of de smookklep (zie Fig. 5.1A) open is.
- Indien aanwezig / gewenst:
Zet de werklamp aan.
- Schakel het aangesloten afzuigapparaat aan^{11 12}.

11. Zoals een mobiele lasrookafzuiger, een afzuigventilator of afzuigstelsel

12. Wanneer u een automatische start/stop (WL-AST of WCS) heeft, start het afzuigapparaat automatisch wanneer u begint te lassen.

- Begin te lassen.
- Indien gewenst, sluit de smoorklep deels om de luchtstroom aan te passen.
- Wanneer de laspositie verandert, beweeg de kap dan naar de juiste positie ten opzichte van het laswerk.
- Zet het afzuigapparaat ca. 20 seconden na het beëindigen van de laswerkzaamheden uit¹³.

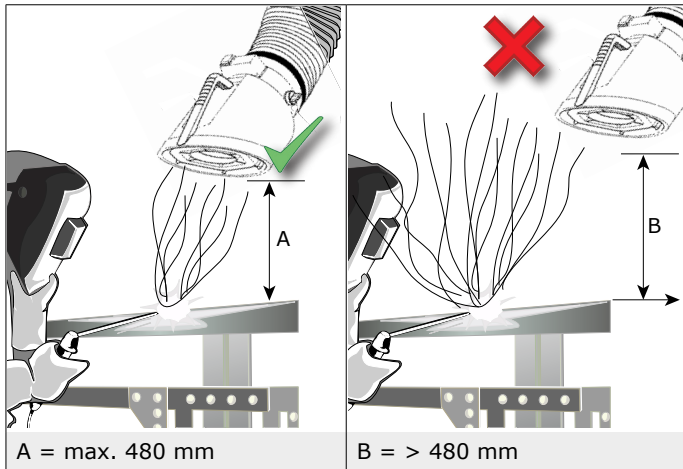


Fig. 5.2 Juiste positie van de kap

6 ONDERHOUD

6.1 Periodiek onderhoud



Het product is ontworpen om gedurende lange tijd probleemloos te functioneren met een minimum aan onderhoud. Om dit te garanderen zijn echter enkele eenvoudige, regelmatig uit te voeren onderhouds- en reinigingswerkzaamheden noodzakelijk die in dit hoofdstuk worden beschreven.



WAARSCHUWING

Achterstallig onderhoud kan leiden tot brand.

De aangegeven onderhoudsintervallen kunnen variëren afhankelijk van de specifieke arbeids- en bedrijfsomstandigheden. Daarom wordt aanbevolen - naast het hier aangegeven periodieke onderhoud - het product jaarlijks aan een grondige, algehele inspectie te onderwerpen. Neem hiertoe contact op met uw leverancier.

Onderdeel	Actie	Frequentie: elke X maanden	
		X=3	X=6
Algemeen			
Buitenkant van de arm	Reinig met een niet-agressief schoonmaakmiddel	X	
Flexibele slangen	Controleer op scheuren of andere beschadigingen. Indien nodig vervangen		X
Binnenkant van de arm	Reinig grondig		X
Smoorklep	Controleer de werking		X
Kapscharnier	Controleer de horizontale en verticale beweging van de kap. Reinig indien nodig het kapscharnier of pas de frictie aan; zie paragraaf 6.2.1		X
Draaischarnier	Smeer de as; zie paragraaf 6.3		X

13. Wanneer u een automatische start/stop (WL-AST of WCS) heeft, schakelt het afzuigapparaat na een bepaalde nadraaitijd automatisch uit.

Onderdeel	Actie	Frequentie: elke X maanden	
		X=3	X=6
Staaikabels	Controleer op slijtage		X
LFA 3.0 LFA 4.0			
Scharnierpunten	Controleren en smeren; zie Fig. IV (C) op pagina 61		X
Middenscharnier	Controleer de frictie. Indien nodig aanpassen; zie Fig. IV (A) op pagina 61		X
LFA 3.1 LFA 4.1			
Scharnierpunten	Controleren en smeren; zie Fig. V (C) op pagina 62		X
Staaikabel om het wiel	Controleren en smeren; zie Fig. V (B) op pagina 62		X
Balansconstructie	Controleer de balans van de afzuigarm. Indien nodig aanpassen; zie Fig. V (A) op pagina 62		X

6.2 Balanssysteem

Als de afzuigarm, of een deel daarvan, niet in de gewenste positie blijft staan, moet u de frictie en/of het balanssysteem afstellen.

Om het balanssysteem te controleren en af te stellen, doe het volgende:

Fig. 6.1

- Trek de arm (inclusief de kap) in een horizontale positie.
- Vouw de arm dubbel.
- Beweeg de arm en kap omhoog en omlaag, naar links en rechts in rechte en gevouwen positie.

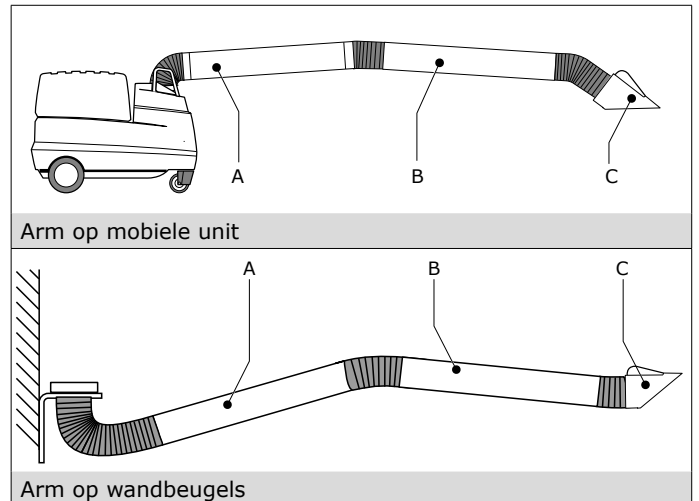
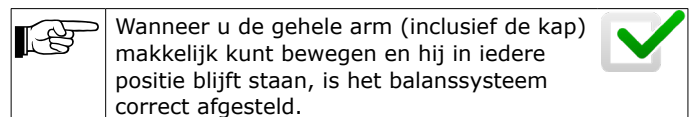


Fig. 6.1 Arm in horizontale positie



Wanneer u de gehele arm (inclusief de kap) makkelijk kunt bewegen en hij in iedere positie blijft staan, is het balanssysteem correct afgesteld.

Voor het afstellen van de kap (C):

- Ga verder met paragraaf **6.2.1**

Voor het afstellen van het armstuk (kapzijde) (B):

- ga verder met paragraaf **6.2.2**

Voor het afstellen van het armstuk (wand-/unitzijde) (A):

- ga verder met paragraaf **6.2.3**

6.2.1 Kapscharnier

Frictie te hoog

Als het moeilijk is om de kap te bewegen, is het kapscharnier mogelijk vervuild. Ga in dat geval als volgt te werk.

- Demonteer de flexibele slang.
- Knip de tie-wraps door en trek de rubber beschermhoes omlaag¹⁴.
- Reinig het kapscharnier.
- Pas de frictie aan (zie instructies van Fig. 6.2).
- Installeer de beschermhoes over het kapscharnier en zet hem vast met twee nieuwe tie-wraps.
- Installeer de flexibele slang. Zorg ervoor dat de verbindingen luchtdicht zijn.

Frictie te laag

Als de kap niet in de gewenste positie blijft staan, moet u de frictie strakker afstellen.

Fig. 6.2

- Demonteer de flexibele slang.
- Knip de tie-wraps door en trek de rubber beschermhoes omlaag.
- Bepaal welk deel van de kap afgesteld moet worden:
 - de verticale beweging (A); of
 - de horizontale beweging (B)
- Draai de overeenkomstige bout en moer strakker aan.
- Installeer de beschermhoes over het kapscharnier en zet hem vast met twee tie-wraps.
- Installeer de flexibele slang. Zorg ervoor dat de verbindingen luchtdicht zijn.

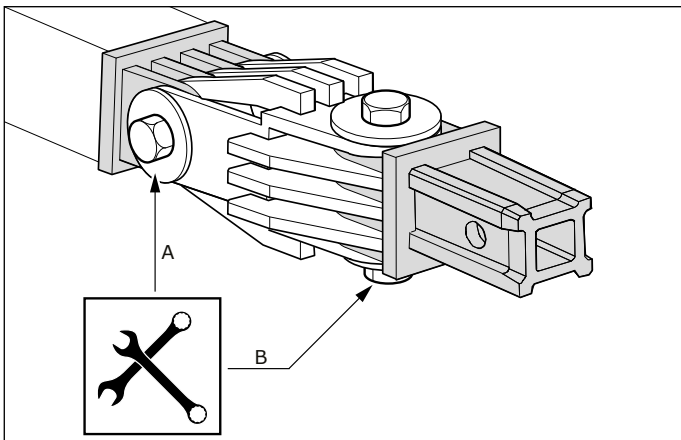


Fig. 6.2 Kapscharnier

6.2.2 Armstuk (kapzijde)

Om de balans aan te passen, moet u de flexibele slang van het middenscharnier loskoppelen. Wanneer u daarmee klaar bent, moet u de slang weer installeren en de aansluitingen luchtdicht maken met de manchetten.

LFA 3.0 en LFA 4.0 armen

Fig. 6.3 (zie ook Fig. 6.1B)

- Trek de arm (inclusief de kap) in een horizontale positie.

Als het armstuk naar beneden valt:

- Draai de bout M8 (A) met de klok mee om de frictie te verhogen.

Als het moeilijk is het armstuk naar beneden te bewegen:

- Draai de bout M8 (A) tegen de klok in om de frictie te verlagen.

Als het moeilijk is het armstuk naar boven te bewegen:

- Draai de bout M8 (B) tegen de klok in totdat u het armstuk soepel naar boven kunt bewegen.

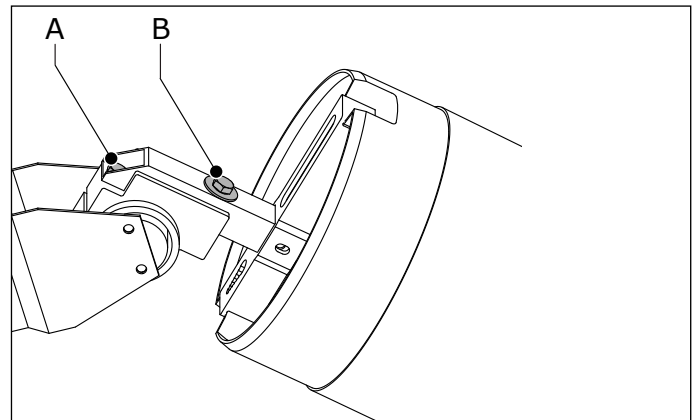


Fig. 6.3 Middenscharnier – LFA 3.0 | LFA 4.0

LFA 3.1 en LFA 4.1 armen

Fig. 6.4 (zie ook Fig. 6.1B)

- Trek de arm (inclusief de kap) in een horizontale positie.

Als het armstuk naar beneden valt:

- Draai de bout (A) aan om de veerspanning te verhogen.

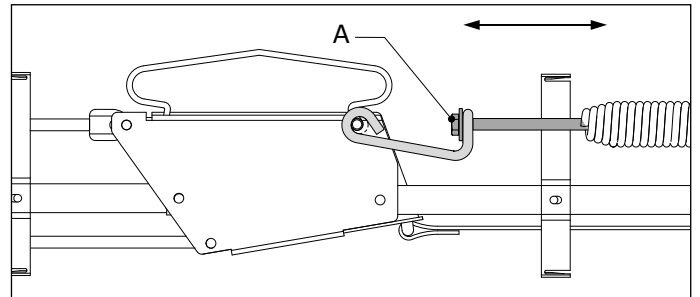


Fig. 6.4 Middenscharnier – LFA 3.1 | LFA 4.1

6.2.3 Armstuk (muur-/unitzijde)

Om de balans aan te passen, moet u de flexibele slang van het scharnier aan de muur-/unitzijde loskoppelen. Wanneer u daarmee klaar bent, moet u de slang weer installeren en de aansluitingen luchtdicht maken met de manchetten.

Fig. 6.5 (zie ook Fig. 6.1A)

- Trek de arm (inclusief de kap) in een horizontale positie.

Als de hele arm naar beneden valt:

- Draai de bout (A) aan om de veerspanning te verhogen. Zorg ervoor dat de veer (B) niet meedraait terwijl u de bout vastdraait.

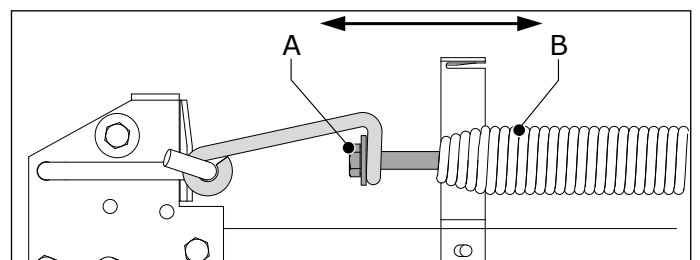


Fig. 6.5 Scharnier aan de muur-/kapzijde

14. Als de rubber beschermhoes beschadigd is, moet u deze vervangen.

6.3 Smeren van het draaischarnier

Om ervoor te zorgen dat het draaischarnier vrij kan draaien, moet u de as regelmatig smeren.

Fig. 6.6

- (B) Spuit vet in de as via de smeernippel. Gebruik hiervoor een vetspuit.

Aanbevolen smeermiddel: standaard EP2 vet

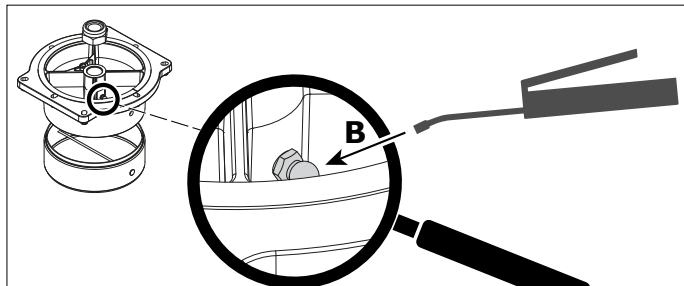


Fig. 6.6 Smeren van het draaischarnier

Signalering	Probleem	Mogelijke oorzaak	Oplossing
LFA 3.0 LFA 4.0			
Afzuigarm kraakt of piept	De arm beweegt niet soepel	Onvoldoende smering	Smeer de scharnierpunten; zie Fig. IV (C) op pagina 61
Probleem met het bewegen van de kapzijde van de arm	FRICTIE IN HET MIDDENSCHARNIER	Niet genoeg frictie vanwege veroudering	Pas de frictie in het middenscharnier aan; zie paragraaf 6.2.2 (LFA 3.0 en LFA 4.0 armen)
		Te veel frictie	Reinig het frictiemechanisme in het middenscharnier
		Te veel frictie door vervuiling	Reinig het frictiemechanisme in het middenscharnier
LFA 3.1 LFA 4.1			
Afzuigarm kraakt of piept	Arm beweegt niet soepel; overmatige slijtage van onderdelen	Onvoldoende smering	Smeer de scharnierpunten; zie Fig. V (C) op pagina 62 Smeer de staalkabel bij het wiel; zie Fig. V (B) op pagina 62
De kapzijde van de arm valt naar beneden	De arm blijft niet in de gewenste positie staan	De veerspanning is te laag	Verhoog de veerspanning; zie paragraaf 6.2.2 (LFA 3.1 en LFA 4.1 armen)

7 VERHELPEN VAN STORINGEN

Wanneer het product niet (correct) functioneert, raadpleeg dan de volgende checklist om te zien of u het probleem zelf kunt verhelpen. Is dit niet het geval, neem dan contact op met uw leverancier.



WAARSCHUWING
Respecteer de veiligheidsvoorschriften zoals beschreven in hoofdstuk 3 bij het uitvoeren van onderstaande werkzaamheden.

Signalering	Probleem	Mogelijke oorzaak	Oplossing
Algemeen			
Onvoldoende afzuigcapaciteit	Vervuiling van de ruimte	Smoorklep is dicht	Open de smoorklep
		Flexibele slang(en) gescheurd of los	Vervang de slang(en) of installeer ze op de juiste manier
		Manchet(ten) gescheurd of verkeerd geïnstalleerd	Vervang de manchet(ten) of installeer ze op de juiste manier
		Er wordt buitenlucht door het systeem aangezogen	Maak het kanaalwerk luchtdicht
Afzuigkap niet in balans	De kap blijft niet in de gewenste positie staan	Niet genoeg frictie	Pas de frictie van het kapscharnier aan; zie paragraaf 6.2.1
	U kunt de kap niet in de gewenste positie bewegen	Te veel frictie	
De gehele afzuigarm (beide armstukken) valt naar beneden	De arm blijft niet in de gewenste positie staan	De veerspanning is te laag	Verhoog de veerspanning van het scharnier aan de muur-/unitzijde; zie paragraaf 6.2.3

8 RESERVEONDERDELEN

Voor de producten zijn de volgende reserveonderdelen verkrijgbaar;



8.1 LFA 3.0 | LFA 4.0

Zie de exploded view Fig. VI op pagina 63 en de reserveonderdelenlijst op pagina 64

8.2 LFA 3.1 | LFA 4.1

Zie de exploded view Fig. VII op pagina 65 en de reserveonderdelenlijst op pagina 66

9 AFDANKEN

Voer het product na het einde van de levensduur af conform de lokaal geldende voorschriften en/of richtlijnen.






VORWORT

Über diese Anleitung

Diese Anleitung dient als Nachschlagewerk für professionelle und gut ausgebildete Personen, die für die Montage, Bedienung, Wartung und Reparatur des auf dem Titelblatt vermerkten Produkts befugt sind.

Piktogramme und Symbole

In dieser Anleitung werden folgende Piktogramme und Symbole verwendet:

	TIPP Vorschläge und Empfehlungen für eine vereinfachte Ausführung von Aufgaben und Maßnahmen.
	ACHTUNG Anmerkung mit zusätzlichen Informationen für den Nutzer, um auf mögliche Probleme aufmerksam zu machen.
	VORSICHT! Vorgehensweisen, die -wenn sie nicht mit der erforderlichen Umsicht ausgeführt werden - das Produkt, das Arbeitsumfeld oder die Umwelt schädigen können.
	WARNUNG! Vorgehensweisen, die - wenn sie nicht mit der erforderlichen Umsicht ausgeführt werden - zu ernsthaften Verletzungen führen oder das Produkt schädigen können.
	WARNUNG! Brandgefahr! Wichtiger Warnhinweis zur Vermeidung von Feuer.
	WARNUNG! Explosionsgefahr! Wichtiger Warnhinweis zur Vermeidung von Explosionen.
	Persönliche Schutzausrüstung (PSA) Bei Service-, Wartungs- und Reparaturarbeiten sowie Funktionstests immer Atemschutz tragen! Wir empfehlen das Tragen einer Atemschutz-Halbmaske gemäß EN 149:2001 + A1:2009, Klasse FFP3 (Richtlinie 89/686/EEC).
	Persönliche Schutzausrüstung (PSA) Bei Service-, Wartungs- und Reparaturarbeiten immer Schutzhandschuhe tragen!

Textkennzeichnungen

Mit einem Bindestrich („-“) versehene Auflistungen kennzeichnen Aufzählungen.

Mit einem Aufzählungspunkt („•“) versehene Auflistungen hingegen kennzeichnen auszuführende Schritte.

1 EINFÜHRUNG

1.1 Identifizierung des Produkts

Das Typenschild enthält u. a. folgende Daten:

- Produktname
- Seriennummer



1.2 Allgemeine Beschreibung

Beim LFA handelt es sich um einen flexiblen Absaugarm mit einer um 360° drehbaren Absaughaube *RotaHood*. Die Absaughaube umfasst eine Drosselklappe und einen Absaugspoiler für die zielgerichtete Ansaugung der verunreinigten Luft in die Absaughaube.

Das Modell umfasst zwei unterschiedliche Absaugarmtypen:

1.2.1 LFA 3.0 | LFA 4.0

Diese Absaugarme sind für eine leichte und benutzerfreundliche Positionierung des Arms mit dem hochwertigen *DeBlock*-Frikionsgelenk ausgestattet.

1.2.2 LFA 3.1 | LFA 4.1

Die Arme sind mit dem federbelasteten Gewichtsausgleichssystem *Balance* ausgestattet, das eine ultraleichte und benutzerfreundliche Armpositionierung ermöglicht.

1.3 Optionen und Zubehör

Für eine noch einfachere Handhabung bieten wir folgendes Zubehör an:

- WL | Arbeitslampe
- WL-AST | Arbeitslampe + Start/Stop-Automatik
- WCS | Schweißkabelsensor

1.4 Produktkombinationen

Die LFA Absaugarme eignen sich hervorragend sowohl für mobile als auch stationäre Schweißrauchabsaugsysteme.



 Siehe Fig. I auf Seite 59 für Einzelheiten.

Darüber hinaus eignen sich die Arme auch für zentrale Schweißrauchabsaugsysteme¹.

1.5 Technische Daten



Abmessungen und Eigenschaften	
Armlänge:	- 3 m - 4 m
Durchmesser	Ø 203 mm
Werkstoff:	- Rohre und Haube - Polypropylen Copolymer mit UV- Stabilisierung - Schläuche - glasfaserverstärktes PVC + Spiralverstärkung
Gewicht:	- LFA 3.0 LFA 3.1 - LFA 4.0 LFA 4.1
	- 15 kg - 17 kg
Leistung	
Empfohlener Luftstrom	max. 1600 m ³ /h

1.6 Reichweite

Siehe Fig. II auf Seite 60.

1.7 Druckabfall

Siehe Fig. III auf Seite 60.

1.8 Umgebungs- und Prozessbedingungen

Prozesstemperatur:	- mind. 5 °C - Nenntemp. 20 °C - max. 45 °C
Max. rel. Luftfeuchtigkeit	80 %
Außeneinsatz zugelassen	nein

1. Systeme mit einer zentralen Absaugleitung ohne bzw. mit Filtersystem

2 PRODUKTBESCHREIBUNG

2.1 Komponenten

Das Produkt umfasst folgende Hauptkomponenten:

Abb. 2.1

- A Anschlussflansch mit Drehgelenk
- B Gummidichtung
- C Flexschlauch
- D Armteil (Wand-/Geräteseite)
- E Mittelgelenk
- F Haube
- G Handgriff
- H Drehknopf für die Drosselklappe
- I Drosselklappe
- J Haubengelenk
- K Armteil (Haubenseite)

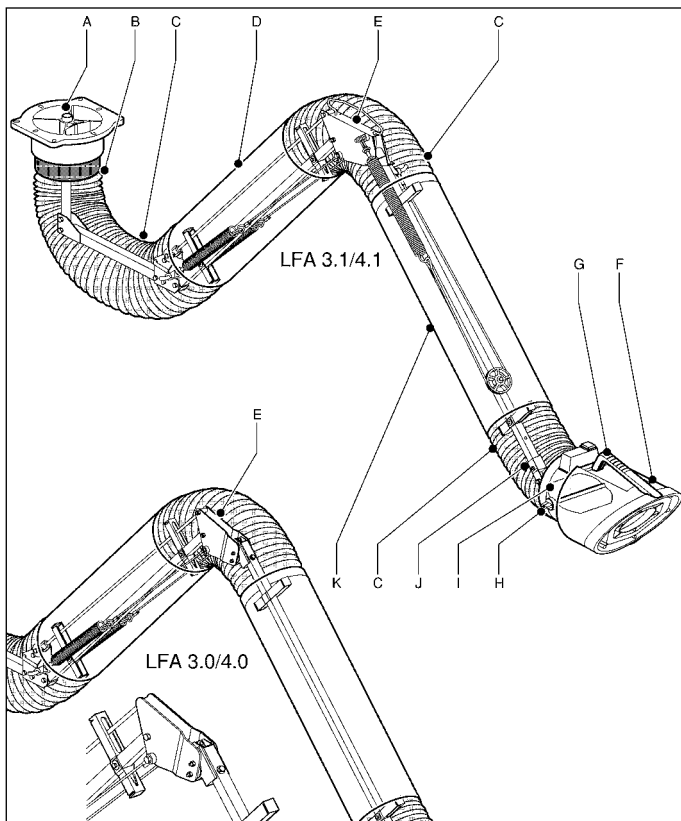


Abb. 2.1 Hauptkomponenten

2.2 Arbeitsweise

2.2.1 Mobiler Einsatz

Der Schweißrauch wird vom Ventilator eines mobilen Schweißrauchabsaugers über die Absaughaube des Absaugsystems abgesaugt². Der Absaugarm leitet die verunreinigte Luft weiter zur Filtereinheit.

Der Absaugarm ist zum Regulieren des Luftstroms mit einer Drosselklappe ausgerüstet.

2.2.2 Stationärer Einsatz

Der Schweißrauch wird mittels eines separaten Ventilators oder Zentralventilators über die Absaughaube des Absaugarms angesaugt. Der Absaugarm leitet die verunreinigte Luft zu einer Rohrleitung mit Filteranlage oder entlässt sie direkt in die Atmosphäre.



Der Absaugarm ist zum Regulieren des Luftstroms mit einer Drosselklappe ausgerüstet.

3 SICHERHEITSVORSCHRIFTEN

Allgemeines

Der Hersteller haftet nicht für Verletzungen oder Beschädigungen des Produkts, die sich aus einer Nichtbeachtung der in dieser Anleitung enthaltenen Sicherheitsvorschriften ergeben oder Folge von Fahrlässigkeit bei Montage, Gebrauch, Wartung und Reparatur des auf dem Titelblatt vermerkten Produkts und dessen Zubehör sind. Je nach spezifischen Arbeitsbedingungen und benutztem Zubehör können zusätzliche Sicherheitsvorschriften erforderlich sein. Wenden Sie sich sofort an Ihren Händler, wenn sich bei Gebrauch des Produkts eine potentielle Gefahr herausstellt.



Der Produktnutzer ist immer vollständig für die Einhaltung der örtlich gültigen Sicherheitsbestimmungen und Richtlinien verantwortlich. Befolgen Sie alle anwendbaren Sicherheitsbestimmungen und Richtlinien.

Betriebsanleitung

- Alle Personen, die an oder mit diesem Produkt arbeiten, müssen mit den Inhalten dieser Anleitung vertraut sein und strikt die hierin enthaltenen Anweisungen befolgen. Das Personal ist an Hand der Anleitung einzuweisen und muss alle darin enthaltenen Vorschriften und Anweisungen beachten.
- Nie von der Reihenfolge der auszuführenden Handlungen abweichen.
- Die Anleitung immer in der Nähe des Produkts aufbewahren.

Nutzer

- Die Nutzung des Produkts ist ausschließlich dazu befugten sowie geschulten und qualifizierten Nutzern vorbehalten. Nur zeitweilig eingesetzte und in Ausbildung befindliche Personen dürfen dieses Produkt ausschließlich unter Aufsicht und Verantwortung geschulter Techniker gebrauchen.
- Führen Sie die Arbeiten konzentriert und mit der nötigen Aufmerksamkeit aus. Niemals das Produkt nutzen, wenn Sie unter dem Einfluss von Drogen, Alkohol oder Medikamenten stehen.
- Das Produkt darf nicht von Kindern oder Personen genutzt werden, die nur eingeschränkte körperliche, sensorische oder geistige Fähigkeiten besitzen oder nur über unzureichend technische Erfahrung und technisches Wissen verfügen, es sei denn, sie stehen unter Aufsicht.
- Halten Sie Kinder grundsätzlich fern vom Produkt.

Bestimmungsgemäße Verwendung³

Das Produkt wurde ausschließlich zum Absaugen von Rauch und Gasen entworfen, die bei den gebräuchlichsten Schweiß- und Schneidprozessen freigesetzt werden. Jede andere oder darüber hinausgehende Verwendung gilt nicht als bestimmungsgemäß. Der Hersteller haftet nicht für Verletzungen oder Schäden infolge einer nicht bestimmungsgemäßen Verwendung. Das Produkt wurde in Übereinstimmung mit den geltenden Normen und anerkannten Sicherheitsrichtlinien hergestellt. Das Produkt darf ausschließlich in technisch einwandfreiem Zustand, für den bestimmungsgemäßen Zweck und gemäß den Anleitungen des Handbuchs genutzt werden.

3. Eine „bestimmungsgemäße Verwendung“ gemäß EN-ISO 12100-1 ist die Verwendung, für die das technische Produkt gemäß den Angaben des Herstellers - einschließlich der Angaben im Verkaufsprospekt - geeignet ist. Im Zweifelsfall ist dies die Verwendung, die sich aus der Konstruktion, dem Typ und der Funktion des technischen Produkts als gebräuchlich ableiten lässt. Die bestimmungsgemäße Verwendung umfasst auch die Befolgung der in der Betriebsanleitung verfassten Anleitungen.

2. Typ: Mobiflex 200-M, 400-MS bzw. 300-E

Technische Daten

Die in dieser Anleitung aufgeführten Spezifikationen dürfen nicht geändert werden.

Änderungen

Änderungen am Produkt oder von Teilen des Produkts sind nicht zulässig.

Produktkombinationen

Wenn das Produkt zusammen mit anderen Produkten oder Maschinen verwendet wird, gelten die in der Dokumentation dieser Produkte enthaltenen Sicherheitsvorschriften.

Installation

- Die Montage des Produkts ist ausschließlich entsprechend geschulten und befugten Technikern vorbehalten.
- Gebrauchen Sie während der Montage stets persönliche Schutzausrüstung (PSA), um Verletzungen zu vermeiden. Dies gilt auch für andere Personen, die während der Montage die Baustelle betreten.
- Bei Höhenarbeiten auf Höhen von über 2 Metern geeignete Kletterausrüstung und Schutzvorrichtungen verwenden. (Örtliche Einschränkungen beachten!)
- Das Produkt nie vor Ein- oder Ausgängen montieren, die für Rettungsdienste zugänglich sein müssen.
- Auf kreuzende Gas- und Wasserleitungen sowie Elektrokabel achten!
- Auf ausreichende Ausleuchtung des Arbeitsbereiches achten!
- Führen Sie die Arbeiten konzentriert und mit der nötigen Aufmerksamkeit aus. Niemals das Produkt unter Einfluss von Drogen, Alkohol oder Medikamenten montieren.
- Mit Chrom-, Nickel-, Beryllium-, Cadmium- oder Bleipartikeln kontaminierte Luft darf nicht zurückgeführt werden. Diese Luft muss immer aus dem Arbeitsbereich abgeführt werden.

Gebrauch

	WARNUNG! Brandgefahr! Das Produkt nicht gebrauchen für: - Polierarbeiten in Kombination mit Schleif-, Schweiß- oder anderen funkenerzeugenden Arbeiten. (Von Polier- oder Schleifscheiben stammende Fasern sind hochentzündlich und bergen bei Exposition gegenüber Funken ein hohes Filterbrandrisiko.) - Fugenhobeln - Absaugung von entflammabaren, glühenden oder brennenden Partikeln bzw. Flüssigkeiten - Absaugung von aggressivem Rauch (etwa von Salzsäure) oder scharfen Teilchen - Absaugung von Staubteilchen, die bei Schweißarbeiten an grundierten Flächen freigesetzt werden - Absaugung von Zigaretten, Zigarren, verölten Tüchern und anderen brennbaren Materialien, Partikeln, Objekten und Säuren
	WARNUNG! Explosionsgefahr! Das Produkt nicht gebrauchen für explosionsgefährdete Anwendungen, z. B.: - Aluminium-Laserschneiden - Schleifen von Werkstücken aus Aluminium und Magnesium - Explosionsgefährliche Umgebungen oder Substanzen / Gase



WARNUNG!

Das Produkt **nicht** gebrauchen für:

- Absaugung heißer Gase (dauerhafte Temperatur > 70 °C)
- Flammsspritzen
- Ölnebel
- Schwerer Ölnebel in Schweißrauch
- Absaugung von Zement, Säge- und Holzspänen usw.

- Das Produkt inspizieren und auf etwaige Beschädigungen überprüfen. Die ordnungsgemäße Funktion der Schutzeinrichtungen überprüfen.
- Während des Gebrauchs stets persönliche Schutzausrüstung (PSA) nutzen, um Verletzungen vorzubeugen. Dies gilt auch für andere Personen, die den Arbeitsbereich betreten.
- Überprüfen Sie den Arbeitsbereich. Halten Sie unbefugte Personen aus dem Arbeitsbereich fern.
- Das Produkt vor Wasser oder Feuchtigkeit schützen.
- Stellen Sie sicher, dass der Raum immer ausreichend belüftet ist. dies gilt insbesondere für beengte Platzverhältnisse.
- Sorgen Sie dafür, dass am Arbeitsplatz in der Nähe des Produkts zugelassene Feuerlöschgeräte (geeignet für Brandklassen ABC) in ausreichender Zahl vorhanden sind.

Service, Wartung und Reparaturen

- Befolgen Sie die in dieser Betriebsanleitung aufgeführten Wartungsintervalle. Überfällige Wartung kann zu hohen Kosten für Reparaturen und Revisionen führen und kann den Garantieanspruch nichtig machen.
- Verwenden Sie immer persönliche Schutzausrüstung (PSA), um Verletzungen zu vermeiden. Dies gilt auch für andere Personen, die den Arbeitsbereich betreten.
- Stellen Sie sicher, dass der Raum ausreichend belüftet ist.
- Verwenden Sie Werkzeuge, Materialien, Schmierstoffe und Servicetechniken, die vom Hersteller genehmigt wurden. Verwenden Sie niemals abgenutzte Werkzeuge und lassen Sie keine Werkzeuge im oder auf dem Produkt.
- Schutzeinrichtungen, die zu Service-, Wartungs- oder Reparaturzwecken entfernt wurden, müssen nach diesen Arbeiten unverzüglich wieder montiert und auf ihre ordnungsgemäße Funktion überprüft werden.
- - Verwenden Sie bei Höhenarbeiten auf Höhen von über 2 Metern geeignete Kletterausrüstung und Schutzvorrichtungen. (Örtliche Einschränkungen beachten!)
- Bereich anschließend reinigen.



ACHTUNG

Service, Wartungs- und Reparaturarbeiten müssen gemäß den Richtlinien TRGS 560 und TRGS 528 von autorisierten, ausgebildeten und qualifizierten Fachkräften unter Anwendung geeigneter Arbeitsverfahren durchgeführt werden.



Persönliche Schutzausrüstung (PSA)

Während der Service-, Wartungs- und Reparaturarbeiten Atemschutz und Schutzhandschuhe tragen.

4 MONTAGE

4.1 Benötigte Werkzeuge und Materialien

Für die Montage des Produkts sind folgende Werkzeuge und Materialien erforderlich:

- Standardmäßiges Werkzeug



4.2 Örtlich zu beziehen

Bei Montage des Absaugarms an einer Wandhalterung benötigen Sie zusätzliches Wandbefestigungszubehör, das sich nach dem jeweiligen Wandtyp richtet. Für die Montageanleitungen siehe die mit der Wandhalterung mitgelieferte Dokumentation.



4.3 Einheit auspacken

Überprüfen Sie das Produkt auf Vollständigkeit. Die Verpackung enthält folgende Komponenten:

- Drehgelenk (komplett)
- Zwei Armteile (zusammengebaut) mitsamt Gummidichtungen
- Gummidichtung (2)
- Haube
- Flexschlauch (für das Haubengelenk)
- Endanschlag⁴
- Befestigungsmaterial



Falls Teile des Inhalts fehlen oder beschädigt sind, wenden Sie sich bitte an Ihren Händler.

Die Flexschläuche sind mit einem Riemen befestigt, den Sie vor der Montage entfernen müssen.

4.4 Montagemöglichkeiten

Sie können den Absaugarm auf drei unterschiedliche Arten montieren.

Montageoption:

- An Mobileinheit (Schweißrauchabsauger Mobiflex 200-M, 400-MS bzw. 300-E): weiter mit Abschnitt 4.4.1
- An Wandhalterung (Typ LMB): weiter mit Abschnitt 4.4.2
- An Verlängerungskran (Typ EC): weiter mit Abschnitt 4.4.3



WARNUNG!

Klebeband um die beiden Armteile befestigt lassen, bis Absaugarm mitsamt Absaughaube vollständig montiert sind.

4.4.1 Befestigung an einer Mobileinheit⁵

Abb. 4.1

- Die vier Befestigungsschrauben der Bedienfeld-Abdeckung lösen.
- Abdeckung entfernen.
- Drehgelenk (C) mit den Sechskantschrauben und den Unterlegscheiben an der Mobileinheit befestigen. Folgende Punkte sicherstellen:
 - Die Kabeldurchführung (B) muss sich an der Frontseite befinden, und
 - Die lange Seite von Stift (A) muss nach hinten gerichtet und zur Kabeldurchführung (B) ausgerichtet sein.

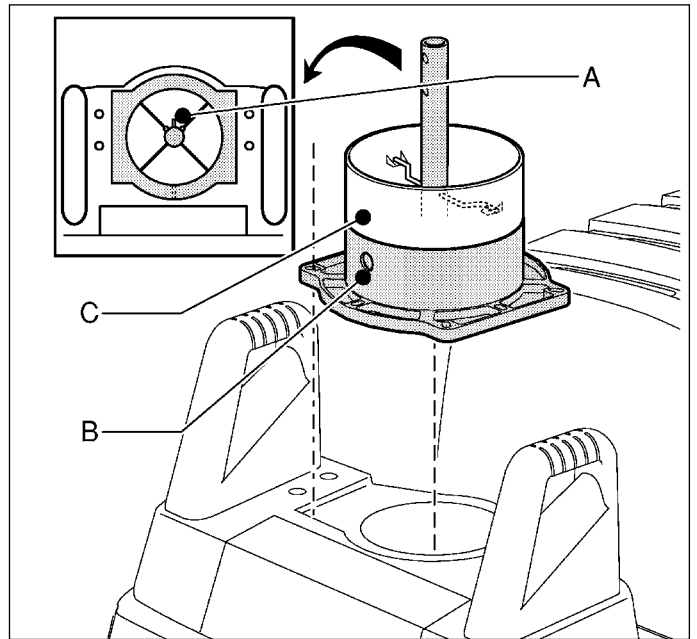


Abb. 4.1 Drehgelenk an Mobileinheit

Abb. 4.2

- Gummidichtung (B) um das Drehgelenk (C) schieben.
- 2/3 der Dichtung umstülpen.
- Flexschlauch⁶ auf dem Drehgelenk (C) aufsetzen. Darauf achten, dass mindestens ein Metallring des Schlauchs über die Kanten des Drehgelenks gezogen ist.
- Dichtung wieder zurückstülpen und über den Schlauch ziehen, um den Anschluss luftdicht auszuführen.
- Abdeckung wieder montieren. Die vier Befestigungsschrauben gut festziehen.

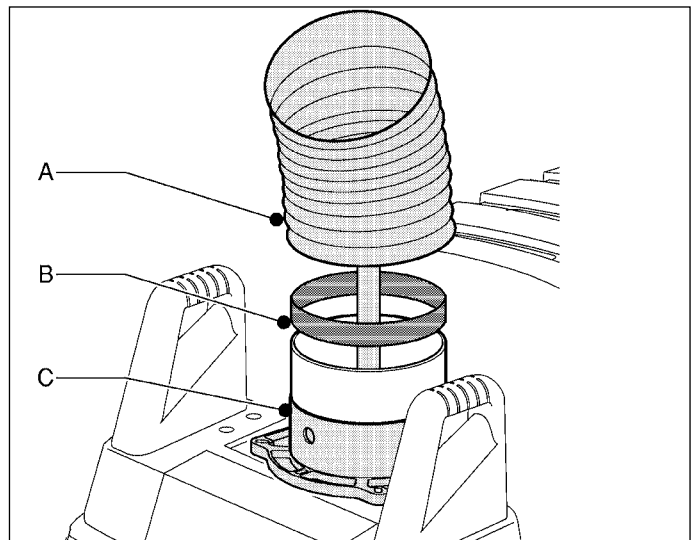


Abb. 4.2 Flexschlauch

Abb. 4.3

- Gelenk des Absaugarms (B) mit den Schrauben und Muttern an der Scharnierstange (C) der Mobileinheit montieren. Hierfür die beiden gekennzeichneten Befestigungslöcher (A) benutzen.

Bei Absaugarmen, die mit einer Arbeitslampe (WL) oder einer Arbeitslampe mit Start/Stopp-Automatik (WL-AST) ausgestattet sind, nun das Versorgungskabel (NCW-4) anschließen. Siehe hierfür die dazugehörige Anleitung.

4. Bei Montage des Absaugarms an einer Mobileinheit ist der Endanschlag redundant ausgeführt

5. Typ: Mobiflex 200-M, 400-MS bzw. 300-E

6. Im Lieferumfang der mobilen Schweißrauchabsauger mit inbegriffen

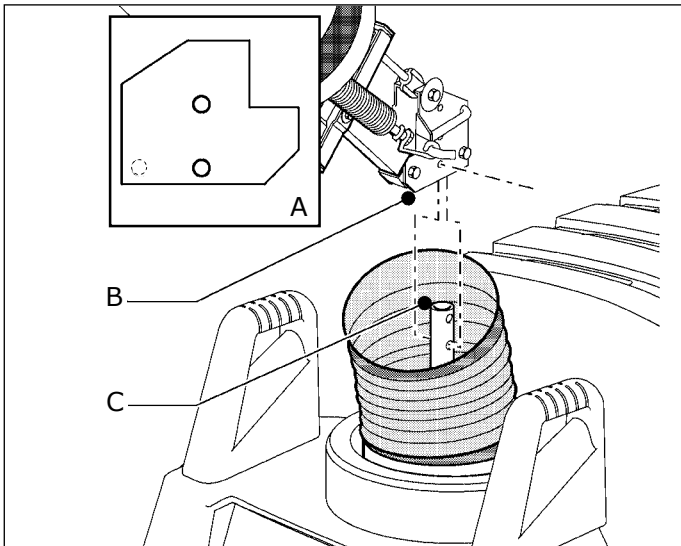


Abb. 4.3 Absaugarm auf Scharnierstange

- Die Flexschläuche an den Armteilen montieren und mit den Gummidichtungen luftdicht ausführen.
- Für eine Montage der Absaughaube weiter mit Abschnitt 4.4.4.

4.4.2 Befestigung mit Wandhalterungen⁷

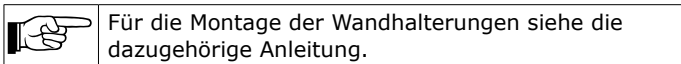


Abb. 4.4

- Die Wandhalterungen montieren.
- Drehgelenk (C) mit den Sechskantschrauben und den Unterlegscheiben an den Wandhalterungen (E) befestigen. Folgende Punkte sicherstellen:
 - Die Kabeldurchführung (A) muss sich an der Wandseite befinden, und
 - Die lange Seite von Stift (B) muss nach vorne gerichtet und zur Kabeldurchführung (A) ausgerichtet sein.

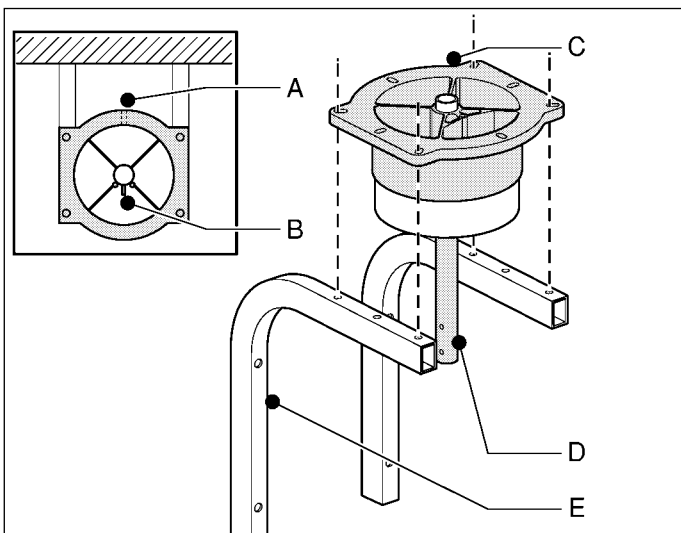


Abb. 4.4 Drehgelenk an Wandhalterungen

Abb. 4.5

- Hängeadapter⁸ (D) mit den Schrauben und Muttern an der Scharnierstange befestigen.
- Federklammer (F) montieren.
- Gummidichtung (A) um das Drehgelenk (B) schieben.

- 2/3 der Dichtung umstülpen.
- Flexschlauch⁹ (E) um das Drehgelenk (B) anbringen. Mindestens ein Metallring des Schlauchs muss über die Kanten des Drehgelenks gezogen sein.
- Dichtung wieder zurückstülpen und über den Schlauch ziehen, um den Anschluss luftdicht auszuführen.

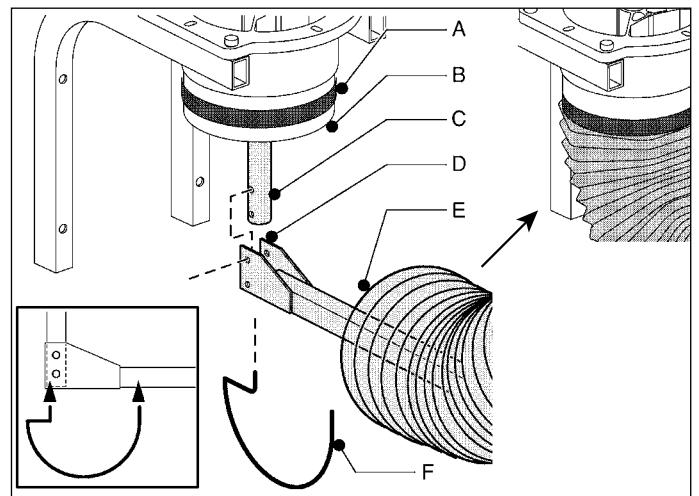


Abb. 4.5 Hängeadapter an Scharnierstange

Abb. 4.6

- Endanschlag (D) über das Gelenk (C) des Absaugarms schieben und beide mit den Schrauben und Muttern auf dem Hängeadapter (B) montieren. Hierfür die beiden gekennzeichneten Befestigungslöcher (A) benutzen.

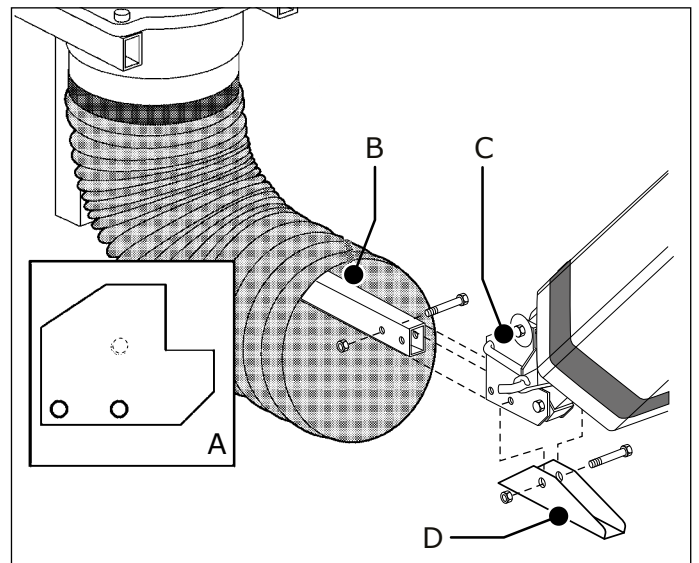


Abb. 4.6 Absaugarm auf Hängeadapter

Bei Absaugarmen, die mit einer Arbeitslampe (WL) oder einer Arbeitslampe mit Start/Stopp-Automatik (WL-AST) ausgestattet sind, nun das Versorgungskabel (NCW-11) anschließen. Siehe hierfür die dazugehörige Anleitung.

Ausschließlich für LFA 3.1 und LFA 4.1 Absaugarme:

Die LFA 3.1 und LFA 4.1 Arme verfügen zum Schutz des Flexschlauchs über eine Distanzfeder. Die Feder ist mit einem Stück Klebeband am Mittelgelenk des Armes befestigt.

Abb. 4.7

- Distanzfeder (A) nehmen und am Mittelgelenk (B) montieren.

7. Typ: LMB

8. Im Lieferumfang der Wandhalterungen (LMB) mit inbegriffen

9. Im Lieferumfang der Wandhalterungen (LMB) mit inbegriffen

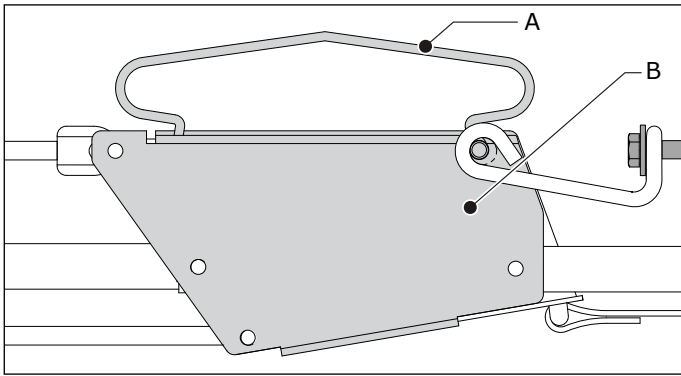


Abb. 4.7 Distanzfeder

Alle Armtypen:

- Die Flexschläuche an den Armteilen montieren und mit den Gummidichtungen luftdicht ausführen.
- Für eine Montage der Absaughaube weiter mit Abschnitt 4.4.4.

4.4.3 Befestigung an einem Verlängerungskran¹⁰



Für die Befestigung des Verlängerungskrans, siehe die dazugehörige Betriebsanleitung.

Abb. 4.8

- Drehgelenk (A) mit den Sechskantschrauben und den Unterlegscheiben an den Wandhalterungen (C) des Verlängerungskrans befestigen. Folgende Punkte sicherstellen:
 - Die Kabeldurchführung (E) befindet sich an der Kranseite, und
 - Die lange Seite von Stift (D) muss nach vorne gerichtet und zur Kabeldurchführung (E) ausgerichtet sein.

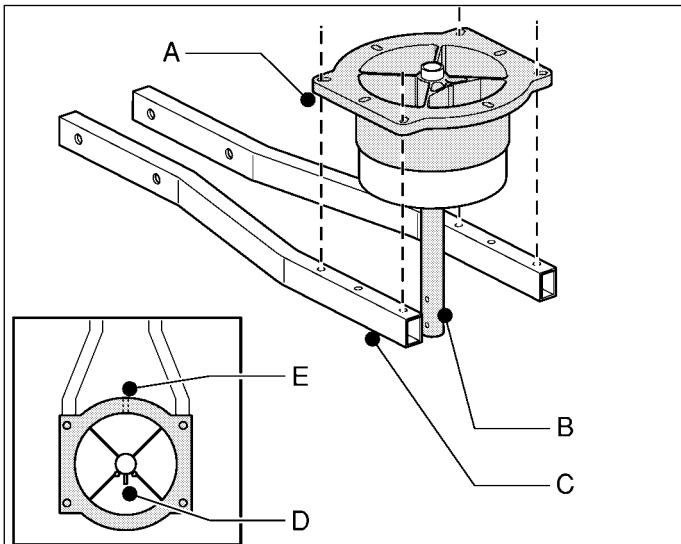


Abb. 4.8 Drehgelenk an Verlängerungskran

Um den Absaugarm am Drehgelenk zu montieren:

- weiter mit den Anleitungen in **Abb. 4.5** und der folgenden fortfahren

4.4.4 Montage der Haube



WARNUNG!

Klebeband um die beiden Armteilen befestigt lassen, bis die Absaughaube montiert ist.

Abb. 4.9

- Über das Armteilende eine Gummidichtung schieben.
- 2/3 der Dichtung umstülpen.
- Flexschlauch, gefolgt von der anderen Dichtung (in dieser Reihenfolge) vorübergehend auf dem Endstück des Armteils (haubenseitig) aufsetzen.
- Absaughaube mit der Schraube und Mutter auf dem U-Abschnitt (A) montieren.

Bei Absaugarmen, die mit einer Arbeitslampe (WL) oder einer Arbeitslampe mit Start/Stopp-Automatik (WL-AST) ausgestattet sind, nun das Versorgungskabel anschließen. Siehe hierfür die dazugehörige Anleitung.

- Schlauch über das Armteil schieben. Darauf achten, dass mindestens ein Metallring des Schlauchs über die Rohrkante gezogen ist.
- Die andere Schlauchseite über die Absaughaubenkante schieben. Darauf achten, dass mindestens ein Metallring des Schlauchs über die Absaughaubenkante gezogen ist.
- Die Anschlüsse mit den Gummidichtungen luftdicht ausführen.

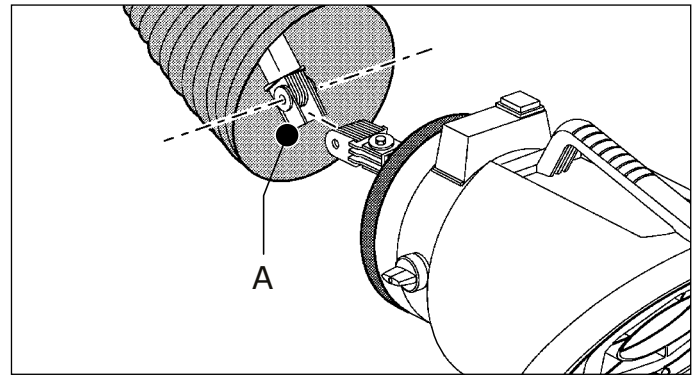


Abb. 4.9 Montage der Haube

- Klebeband entfernen, das die beiden Armteile zusammenhält.
- Die Flexschläuche an den Armteilen montieren und mit den Gummidichtungen luftdicht ausführen.

5 BETRIEB



Persönliche Schutzausrüstung (PSA)

Während des Gebrauchs zum Schutz vor Verletzungen PSA tragen. Dies gilt auch für andere Personen, die den Arbeitsbereich betreten.

5.1 Bedienelemente

Die Absaughaube ist mit einem Handgriff für eine einfache Positionierung und einer Drosselklappe ausgestattet, um dem Absaugluftstrom zu regulieren. Die Verstellung des Absaugarms erfolgt ausschließlich über die Haube.

Abb. 5.1

- A Drosselklappe
- B Handgriff

10. Typ: EC

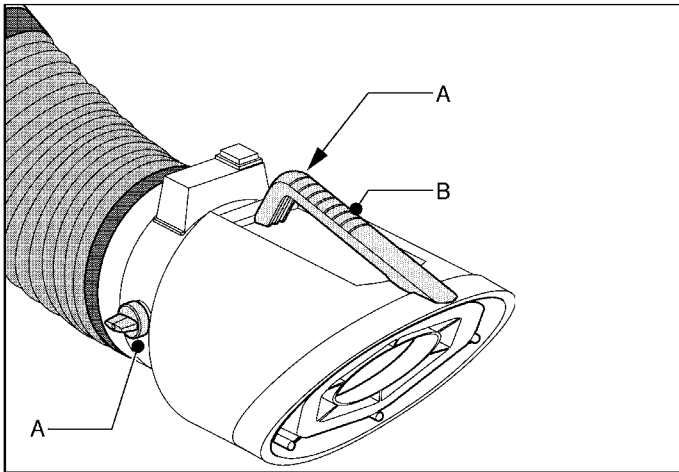


Abb. 5.1 Bedienelemente

5.2 Betrieb

Abb. 5.2

- Handgriff gebrauchen (siehe Abb. 5.1B) um die Absaughaube auf max. 480 mm Abstand zur Schweißrauchquelle bringen.
- Darauf achten, dass die Drosselklappe (siehe Abb. 5.1A) geöffnet ist.
- Sofern vorhanden / gewünscht: Arbeitslampe einschalten.
- Die am Absaugarm angeschlossene Absaugvorrichtung einschalten^{11 12}.
- Nun die Schweißarbeiten ausführen.
- Drosselklappe bei Bedarf etwas schließen, um den Absaugluftstrom zu regeln.
- Bei einem Wechsel der Schweißposition die Haube auf die zur Schweißnaht bezogene korrekte Position einstellen.
- Erst 20 s nach Ende der Schweißarbeiten die am Absaugarm angeschlossene Absaugvorrichtung abschalten¹³.

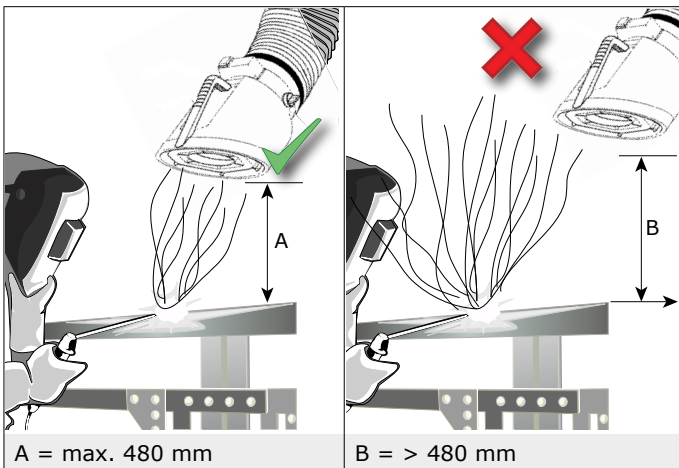


Abb. 5.2 Korrekte Position der Absaughaube

- Wie etwa ein mobiler Schweißrauchabsauger, ein Absaugventilator oder Absaugsystem.
- Mit einer Start/Stop-Automatik (WL-AST bzw. WCS) startet die Absaugvorrichtung automatisch mit Start des Schweißprozesses.
- Mit einer Start/Stop-Automatik (WL-AST bzw. WCS) stoppt die Absaugvorrichtung automatisch bei Stopp des Schweißprozesses.

6 WARTUNG

6.1 Regelmäßige Wartung



Das Produkt wurde so entworfen, dass es bei minimalem Wartungsaufwand langfristig störungsfrei funktioniert. Um dies sicherzustellen, müssen jedoch einige einfache, regelmäßig auszuführende Wartungs- und Reinigungsarbeiten durchgeführt werden, wie in diesem Kapitel beschrieben.



WARNUNG!

Überfällige Wartung kann zu Brand führen.

Die angegebenen Wartungsintervalle hängen von den jeweiligen Arbeits- und Betriebsbedingungen ab. Daher wird -zusätzlich zu der in dieser Anleitung angegebenen regelmäßigen Wartung - empfohlen, das Produkt einmal pro Jahr einer gründlichen Gesamtinspektion zu unterziehen. Wenden Sie sich zu diesem Zweck an Ihren Händler.

Komponente	Tätigkeit	Häufigkeit: alle X Monate	
		X=3	X=6
Allgemeines			
Außenseite des Arms	Das Äußere mit einem milden Reinigungsmittel reinigen	X	
Flexschläuche	Auf Risse und Beschädigungen überprüfen. Falls erforderlich, austauschen		X
Innenseite des Arms	Gründlich reinigen		X
Drosselklappe	Funktionsprüfung		X
Haubengelenk	Die horizontale und vertikale Bewegung der Absaughaube überprüfen. Bei Bedarf das Haubengelenk reinigen bzw. die Reibung einstellen; siehe Abschnitt 6.2.1		X
Drehgelenk	Welle schmieren; siehe Abschnitt 6.3		X
Stahlseile	Auf Abnutzung prüfen		X
LFA 3.0 LFA 4.0			
Gelenkpunkte	Überprüfen und schmieren; siehe Fig. IV (C) auf Seite 61		X
Mittelgelenk	Reibfunktion überprüfen. Bei Bedarf einstellen; siehe Fig. IV (A) auf Seite 61		X
LFA 3.1 LFA 4.1			
Gelenkpunkte	Überprüfen und schmieren; siehe Fig. V (C) auf Seite 62		X
Stahlseil nahe am Balance-Laufrad	Überprüfen und schmieren; siehe Fig. V (B) auf Seite 62		X
Gewichtsausgleichssystem	Gewichtsausgleich des Absaugarms überprüfen. Bei Bedarf einstellen; siehe Fig. V (A) auf Seite 62		X

6.2 Waagesystem

Verbleibt der Absaugarm ganz oder teilweise nicht in gewünschter Position, Reibung und/oder Waagesystem neu einstellen.

Das Gewichtsausgleichssystem wie folgt überprüfen und einstellen:

Abb. 6.1

- Absaugarm (mitsamt Absaughaube) in eine horizontale Position bringen.
- Absaugarm knicken.
- Absaugarm und Absaughaube heben und senken sowie nach links und rechts bewegen, sowohl ausgestreckt als auch geknickt.

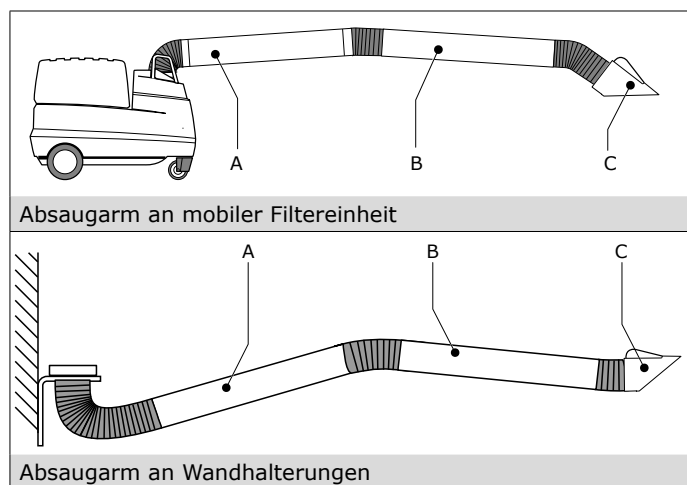
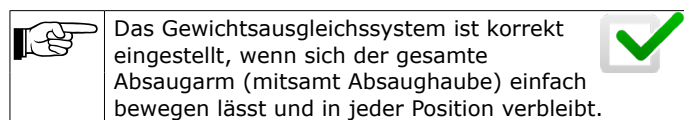


Abb. 6.1 Arm in horizontaler Position



Für die Einstellung der Absaughaube (C):

- weiter mit Abschnitt **6.2.1**

Für eine Einstellung des Armteils (haubenseitig) (B):

- weiter mit Abschnitt **6.2.2**

Für eine Einstellung des Armteils (Wand-/Geräteseite) (A):

- weiter mit Abschnitt **6.2.3**

6.2.1 Haubengelenk

Reibung zu hoch

Lässt sich die Haube nur schwer bewegen, dann ist das Haubengelenk möglicherweise verunreinigt. Gehen Sie in dem Fall wie folgt vor.

- Flexschlauch zerlegen.
- Kabelbinder durchtrennen und Gummischutzabdeckung herunterziehen¹⁴.
- Haubengelenk reinigen.
- Reibung nun einstellen (siehe Anleitungen in Abb. 6.2).
- Schutzhaube über dem Haubengelenk montieren und mit zwei neuen Kabelbindern befestigen.
- Flexschlauch montieren. Dabei einen luftdichten Anschluss sicherstellen.

Reibung zu gering

Reibung erhöhen, wenn die Absaughaube nicht in der gewünschten Position verbleibt.

Abb. 6.2

- Flexschlauch zerlegen.
- Kabelbinder durchtrennen und Gummischutzabdeckung herunterziehen.

- Festlegen, welcher Gelenkabschnitt eingestellt werden muss:
 - für die vertikale Bewegung (A); oder
 - für die horizontale Bewegung (B)
- Die entsprechende Schraube und Mutter festziehen.
- Schutzhaube über dem Haubengelenk montieren und mit zwei Kabelbindern befestigen.
- Flexschlauch montieren. Dabei einen luftdichten Anschluss sicherstellen.

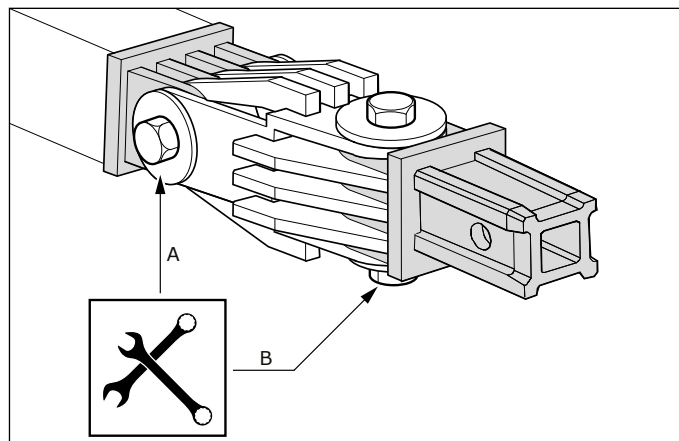


Abb. 6.2 Haubengelenk

6.2.2 Armteil (Haubenseite)

Für eine Einstellung des Gleichgewichts den Flexschlauch des Mittelgelenks lösen. Abschließend den Schlauch montieren und die Anschlüsse mit den Gummidichtungen luftdicht ausführen.

LFA 3.0 und LFA 4.0 Arme

Abb. 6.3 (siehe auch Abb. 6.1B)

- Absaugarm (mitsamt Absaughaube) in eine horizontale Position bringen.

Armteil sackt ab:

- Schraube A (M8) festziehen (im UZS), um die Reibung zu erhöhen.

Armteil lässt sich nur schwer herabbewegen:

- Schraube A (M8) lösen (gegen den UZS), um die Reibung zu senken.

Armteil lässt sich nur schwer anheben:

- Schraube B (M8) lösen (gegen den UZS), bis sich der Absaugarm reibungslos anheben lässt.

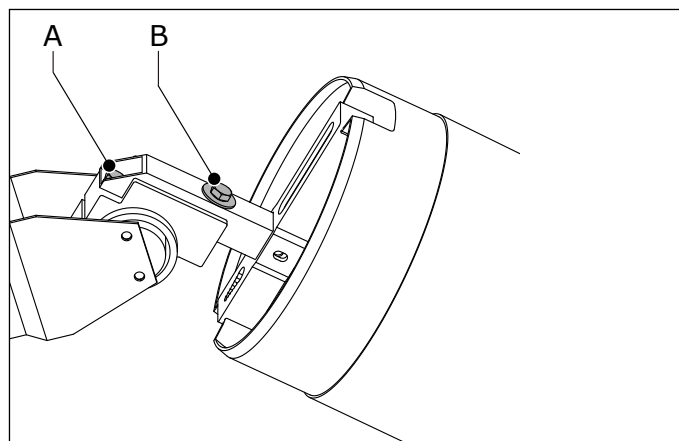


Abb. 6.3 Mittelgelenk – LFA 3.0 | LFA 4.0

14. Eine beschädigte Gummischutzabdeckung unbedingt austauschen

LFA 3.1 und LFA 4.1 Arme

Abb. 6.4 (siehe auch Abb. 6.1B)

- Absaugarm (mitsamt Absaughaube) in eine horizontale Position bringen.

Armteil sackt ab:

- Schraube (A) festziehen, um die Federspannung zu erhöhen.

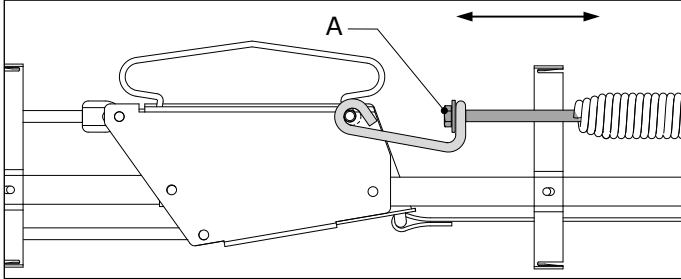


Abb. 6.4 Mittelgelenk – LFA 3.1 | LFA 4.1

6.2.3 Armteil (Wand-/Geräteseite)

Um das Gleichgewicht einzustellen, den Flexschlauch am Gelenk an der Wand-/Geräteseite trennen. Abschließend den Schlauch montieren und die Anschlüsse mit den Gummidichtungen luftdicht ausführen.

Abb. 6.5 (siehe auch Abb. 6.1A)

- Absaugarm (mitsamt Absaughaube) in eine horizontale Position bringen.

Sackt der gesamte Absaugarm ab:

- Schraube (A) festziehen, um die Federspannung zu erhöhen. Beim Festziehen der Schraube sicherstellen, dass die Feder (B) nicht mitdreht.

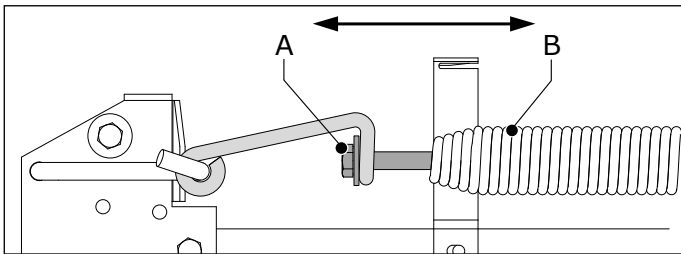


Abb. 6.5 Gelenk an der Wand-/Geräteseite

6.3 Schmierung des Drehgelenks

Welle regelmäßig schmieren, um eine freie Drehung des Drehgelenks sicherzustellen.

Abb. 6.6

- (B) Mit einer Fettpresse Schmiermittel in den Schmiernippel pressen.

Empfohlener Schmiermitteltyp: Standardmäßiges EP2-Lagerfett

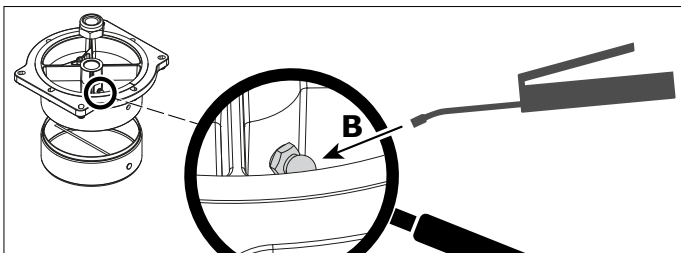


Abb. 6.6 Schmierung des Drehgelenks

7 STÖRUNGSBEHEBUNG

Wenn das Produkt nicht oder nicht ordnungsgemäß funktioniert, dann können Sie anhand der folgenden Checkliste die Störung möglicherweise selbst beheben. Wenden Sie sich bei Misserfolg an Ihren Händler.



WARNUNG!

Sicherheitsvorschriften aus Kapitel 3 befolgen vor dem Ausführen der nachfolgenden Handlungen:

Merkmal	Problem	Mögliche Ursache	Lösung
Allgemeines			
Unzureichende Absaugleistung	Verunreinigung der Werkstatt	Drosselklappe ist geschlossen	Drosselklappe öffnen
		Flexschlauch gerissen bzw. lose	Flexschlauch austauschen bzw. korrekt installieren
		Gummidichtung(en) gerissen oder nicht korrekt installiert	Gummidichtung(en) austauschen bzw. korrekt installieren
		Angeschlossenes Rohrleitungssystem zieht Außenluft	Rohrleitungssystem luftdicht ausführen
Absaughaube nicht im Gleichgewicht	Absaughaube verbleibt nicht in gewünschter Position	Nicht genügend Reibung	Reibung des Haubengelenks einstellen; siehe Abschnitt 6.2.1
	Absaughaube lässt sich nicht in gewünschte Position verstellen	Zu hohe Reibung	
Gesamter Absaugarm (beide Armteile) sackt ab	Arm verbleibt nicht in gewünschter Position	Federspannung zu gering	Federspannung des Gelenks an der Wand-/Geräteseite erhöhen; siehe Abschnitt 6.2.3
LFA 3.0 LFA 4.0			
Absaugarm knirscht bzw. quietscht	Absaugarm lässt sich nicht reibungslos bewegen	Mangelhafte Schmierung	Gelenkpunkte schmieren; siehe Fig. IV (C) auf Seite 61
Bewegungsproblem des haubenseitigen Armteils	Reibung im Mittelgelenk	Nicht genügend Reibung infolge Alterung	Reibung des Mittelgelenks einstellen; siehe Abschnitt 6.2.2 (LFA 3.0 und LFA 4.0 Arme)
		Zu hohe Reibung	
		Zu hohe Reibung infolge Verunreinigung	Reibmechanismus im Mittelgelenk reinigen
LFA 3.1 LFA 4.1			
Absaugarm knirscht bzw. quietscht	Absaugarm lässt sich nicht reibungslos bewegen; übermäßiger Verschleiß von Komponenten	Mangelhafte Schmierung	Gelenkpunkte schmieren; siehe Fig. V (C) auf Seite 62
			Das beim Balance-Laufrad befindliche Stahlseil schmieren; siehe Fig. V (B) auf Seite 62

Merkmal	Problem	Mögliche Ursache	Lösung
Hauben-seitiges Armteil sackt ab	Arm verbleibt nicht in gewünschter Position	Federspannung zu gering	Federspannung erhöhen; siehe Abschnitt 6.2.2 (LFA 3.1 und LFA 4.1 Arme)

8 ERSATZTEILE

Die nachfolgenden Ersatzteile sind für die Produkte erhältlich;



8.1 LFA 3.0 | LFA 4.0

Siehe die Explosionszeichnung Fig. VI auf Seite 63 und die Ersatzteilliste auf Seite 64

8.2 LFA 3.1 | LFA 4.1

Siehe die Explosionszeichnung Fig. VII auf Seite 65 und die Ersatzteilliste auf Seite 66

9 ENTSORGUNG

Das Produkt am Ende der Gebrauchsdauer gemäß den örtlich geltenden Vorschriften und/oder Richtlinien entsorgen.






AVANT-PROPOS

Utilisation du manuel

Le présent manuel servira d'ouvrage de référence qui permettra aux utilisateurs professionnels, instruits et autorisés en ce sens, d'installer, utiliser, entretenir et réparer en toute sécurité le produit figurant en première page de couverture de ce document.

Pictogrammes et symboles

Dans ce manuel, il est fait usage des pictogrammes et symboles suivants :

	CONSEIL Suggestions et conseils en vue de faciliter l'exécution des divers travaux ou manipulations.
	ATTENTION ! Remarque avec complément d'information pour l'utilisateur. Remarque attirant l'attention de l'utilisateur sur d'éventuels problèmes.
	AVERTISSEMENT Procédures qui, à défaut d'être exécutées avec les précautions nécessaires, peuvent occasionner l'endommagement du produit, de l'atelier ou de l'environnement.
	MISE EN GARDE Procédures qui, à défaut d'être exécutées avec les précautions nécessaires, peuvent occasionner un endommagement sévère du produit ou une lésion corporelle.
	MISE EN GARDE Risque de feu ! Avertissement important pour la prévention des incendies.
	MISE EN GARDE Risque d'explosion ! Avertissement important pour la prévention des explosions.
	Équipement de protection individuelle (EPI) Instructions d'emploi d'une protection respiratoire lorsque vous effectuez des travaux de service, d'entretien et de réparation, ainsi que lors de la réalisation de tests fonctionnels. Nous vous recommandons d'utiliser un demi-masque conformément à la norme EN 149:2001 + A1:2009, classe FFP3 (Directive 89/686/EEC).
	Équipement de protection individuelle (EPI) Instructions d'emploi de gants de protection lorsque vous effectuez des travaux de service, d'entretien et de réparation.

Indicateurs de texte

Les listes désignées par « - » (trait d'union) concernent les énumérations.

Les listes désignées par « • » (puce) concernent les étapes à suivre.

1 INTRODUCTION

1.1 Identification du produit

La plaque d'identification comporte les données suivantes :

- nom du produit
- numéro de série



1.2 Description générale

Le LFA est un bras d'aspiration flexible doté d'une buse *RotaHood* rotative, qui peut tourner à 360°. La buse est équipée d'un registre et un déflecteur qui dirige l'air à l'intérieur de la buse.

Il existe deux types de bras :

1.2.1 LFA 3.0 | LFA 4.0

Ces bras sont dotés d'un système de frottement *DeBlock* élaboré pour un positionnement léger et aisé du bras.

1.2.2 LFA 3.1 | LFA 4.1

Ces bras sont dotés du système d'équilibrage à ressort *Balance* pour un positionnement ultra-léger et convivial du bras.

1.3 Options et accessoires

Pour une utilisation plus aisée, vous pouvez opter pour l'un des accessoires suivants :

- WL | Lampe de travail
- WL-AST | Lampe de travail + marche/arrêt automatique
- WCS | Capteur pour câble de soudure

1.4 Combinaisons des produits

Les bras LFA sont conçus aussi bien pour les systèmes fixes que mobiles d'aspiration des fumées de soudure.



Reportez-vous à Fig. I à la page 59 pour plus de détails.

Ils conviennent également à un emploi dans les systèmes d'aspiration de fumée centraux¹.

1.5 Spécifications techniques



Dimensions et caractéristiques	
Longueur du bras :	
- LFA 3.0 LFA 3.1	- 3 m
- LFA 4.0 LFA 4.1	- 4 m
Diamètre	Ø 203 mm
Matériau :	
- tubes et buse	- polypropylène copolymère à stabilisation UV
- tuyaux	- PVC renforcé de fibre de verre + ressorts métalliques
Poids :	
- LFA 3.0 LFA 3.1	- 15 kg
- LFA 4.0 LFA 4.1	- 17 kg
Performance	
Flux d'air recommandé	max. 1600 m ³ /h

1.6 Rayon d'action

Voir Fig. II à la page 60.

1.7 Perte de charge

Voir Fig. III à la page 60.

1.8 Conditions ambiantes et de processus

Température de processus :	
- min.	5 °C (41 °F)
- nom.	20 °C (68 °F)
- max.	45 °C (113 °F)
Humidité relative max.	80 %
Apte à l'usage extérieur	non

1. Systèmes avec conduit d'extraction central, avec ou sans filtration

2 DESCRIPTION DE PRODUIT

2.1 Composants

Le produit se compose des composants et éléments principaux suivants :

Fig. 2.1

- A Bride de connexion avec joint-tournant
- B Manchon en caoutchouc
- C Tuyau flexible
- D Section du bras (côté mural / appareil)
- E Articulation du coude
- F Buse d'aspiration
- G Poignée
- H Bouton rotatif pour le réglage du registre
- I Registre
- J Charnière de la buse
- K Section du bras (côté buse)

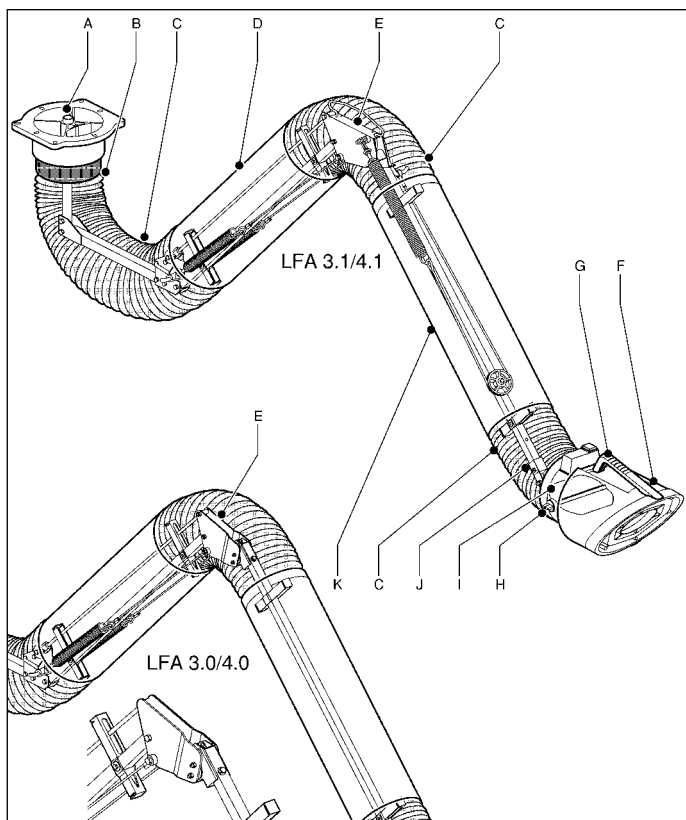


Fig. 2.1 Composants et éléments principaux

2.2 Fonctionnement

2.2.1 Utilisation mobile

Les fumées de soudure sont extraites par le biais de la buse du bras par un ventilateur ou un épurateur mobile des fumées de soudure². Le bras évacue ensuite les fumées vers l'unité de filtration.

Le bras est pourvu d'un registre permettant de régler le flux d'air.

2.2.2 Utilisation fixe

Les fumées de soudure sont extraites par le biais de la buse du bras par un ventilateur unique ou central. Le bras d'aspiration évacue l'air pollué vers un conduit d'aspiration doté d'une unité de filtration ou directement dans l'atmosphère.

2. Type : Mobiflex 200-M, 400-MS ou 300-E

Le bras est pourvu d'un registre permettant de régler le flux d'air.

3 INSTRUCTIONS DE SÉCURITÉ

Généralités

Le fabricant décline toute responsabilité en cas de dommage ou de lésion corporelle résultant de la non observation (stricte) des consignes de sécurité et des instructions de ce manuel, ou de négligence durant l'installation, l'entretien et la réparation du produit figurant en première page de couverture de ce document et des éventuels accessoires correspondants. En fonction des conditions de travail spécifiques ou des accessoires employés, il est possible que des consignes de sécurité complémentaires s'imposent. Veuillez prendre immédiatement contact avec votre fournisseur si vous constatez un risque potentiel lors d'emploi du produit.



L'utilisateur du produit est en tout temps entièrement responsable du respect des consignes et directives de sécurité locales en vigueur. Respectez donc toutes les consignes et directives applicables.

Manuel opérateur

- Toute personne qui travaille sur ou avec le produit est tenue de prendre connaissance de ce manuel et d'en observer scrupuleusement les instructions. La direction de l'entreprise doit instruire le personnel sur la base du manuel et de prendre en considération toutes les instructions et indications.
- Ne modifiez jamais l'ordre des opérations à effectuer.
- Conservez le manuel constamment à proximité du produit.

Opérateurs

- L'utilisation du produit est réservée exclusivement aux opérateurs instruits et autorisés en ce sens. Intérimaires et personnes en formation ne doivent utiliser le produit que sous la supervision et la responsabilité d'un professionnel.
- Soyez constamment vigilant et concentrez-vous sur votre travail. N'utilisez pas le produit si vous êtes fatigués ou sous l'influence de drogues, d'alcool ou de médicaments.
- La machine n'est pas conçue pour être utilisée par des enfants ou des personnes ayant des capacités physiques, sensorielles ou mentales réduites, ou un manque d'expérience et de connaissance, si ces personnes ne sont pas surveillées ou n'ont pas reçu des instructions.
- Surveiller les enfants afin qu'ils ne jouent pas avec la machine.

Emploi conforme à la destination³

Ce produit a été exclusivement conçu pour aspirer les fumées et substances qui se dégagent lors des opérations de soudure et de coupage les plus courantes. Tout autre usage est considéré comme non conforme à la destination du produit. Le fabricant décline toute responsabilité en cas de dommage ou de lésion corporelle résultant de cet autre usage. Le produit est en conformité avec les normes et directives en vigueur. Utilisez le produit uniquement s'il se trouve en parfait état technique, conformément à la destination sus-décrite.

Spécifications techniques

Les spécifications indiquées dans ce manuel ne doivent pas être modifiées.

3. « Emploi conforme à la destination » tel arrêté dans la norme EN-ISO 12100-1 est l'usage pour lequel le produit technique est approprié d'après la spécification du fabricant - inclusivement ses indications dans la brochure de vente. En cas de doute, c'est l'usage que l'on peut normalement déduire de la construction, du modèle et de la fonction du produit. L'emploi conforme à la destination suppose également le respect des instructions du manuel opérateur.

Modifications

La modification du produit ou des composants n'est pas autorisée.



Combinaisons des produits

Si le produit est utilisé en combinaison avec d'autres produits ou machines mentionnés, voir également la documentation de ces produits pour prendre connaissance des instructions de sécurité qui s'y appliquent.

Installation

- L'installation du produit est réservée exclusivement aux techniciens instruits et autorisés en ce sens.
- Utilisez toujours, pendant l'installation, les équipements de protection individuelle (EPI) afin d'éviter les blessures. Ceci vaut également pour les personnes pénétrant dans la zone de travail pendant l'installation.
- Utilisez du matériel de manutention en hauteur et des dispositifs de protection adaptés si vous travaillez à une hauteur de plus de 2 mètres (il se peut que des restrictions locales s'appliquent).
- N'installez jamais le produit devant les entrées, sorties, et passages destinés aux services de secours.
- Portez attention aux conduites de gaz ou d'eau ainsi qu'aux câbles électriques.
- Assurez un bon éclairage du poste de travail.
- Soyez constamment vigilant et concentrez-vous sur votre travail. N'installez pas le produit si vous êtes fatigués ou sous l'influence de drogues, d'alcool ou de médicaments.
- Proscrivez le recyclage de l'air contenant des éléments de chrome, nickel, béryllium, cadmium, plomb, etc. Cet air doit toujours être évacué en dehors de l'atelier.

Utilisation

	MISE EN GARDE Risque de feu ! N'utilisez pas le produit à des fins de : <ul style="list-style-type: none">- polissage combiné au meulage, au soudage ou à toute autre application produisant des étincelles (les fibres des disques de polissage ou abrasifs à lamelles sont hautement inflammables et présentent un risque élevé d'incendies de filtres en cas d'exposition à des étincelles).- gougeage arc-air- l'aspiration de particules ou de substances (liquides) inflammables, incandescentes ou brûlantes- l'aspiration des fumées agressives (telles que l'acide chlorhydrique) ou des particules coupantes- l'aspiration de particules de poussière qui se dégagent des travaux de soudure sur des surfaces traitées avec une peinture primaire- aspirer des cigarettes, cigares, tissus huilés et autres particules, objets et acides brûlants
	MISE EN GARDE Risque d'explosion ! N'utilisez pas le produit pour des applications présentant des risques d'explosion, p. ex. : <ul style="list-style-type: none">- découpe au laser d'aluminium- particules abrasives d'aluminium ou de magnésium- environnements et substances/gaz explosifs



MISE EN GARDE

N'utilisez **pas** le produit à des fins de :

- vapeurs chaudes (d'une température dépassant les 70 °C/158 °F continuellement)
- projection à la flamme
- vapeurs d'huile
- brouillard d'huile dense dans la fumée de soudure
- extraction de ciment, de poussières de sciage, de poussières de bois, etc.

- Inspectez le produit et assurez-vous qu'il n'est pas endommagé. Vérifiez le fonctionnement correct des dispositifs de sécurité.
- Utilisez toujours, pendant l'utilisation les équipements de protection individuelle (EPI) afin d'éviter les blessures. Ceci vaut également pour les personnes pénétrant dans la zone de travail pendant l'installation.
- Contrôlez la zone de travail. Interdisez l'accès de cette zone aux personnes non autorisées.
- Protégez le produit contre l'eau et l'humidité.
- Assurez toujours une aération suffisante, notamment dans les petits locaux.
- Assurez-vous de la présence d'un nombre suffisant d'extincteurs homologués (classes de feu ABC) dans l'atelier, à proximité du produit.

Service, entretien et réparations

- Respectez le calendrier d'entretien indiqué dans ce manuel. Un retard dans les travaux d'entretien peut se traduire par des coûts élevés de réparations et de révisions et peut même entraîner l'annulation de la garantie.
- Utilisez toujours les équipements de protection individuelle (EPI) afin d'éviter les blessures. Ceci vaut également pour les personnes pénétrant dans la zone de travail pendant l'installation.
- Assurez toujours une aération suffisante.
- Utilisez toujours des outils, pièces, matériaux, lubrifiants et techniques d'entretien et de réparation approuvés par le fabricant. Évitez l'usage des outils usés et veillez à ne laisser traîner aucun outil dans ou sur le produit.
- Les dispositifs de sécurité retirés à des fins de service, d'entretien ou de réparation, doivent être remis en place immédiatement après l'achèvement des travaux concernés, après quoi leur fonctionnement doit être contrôlé.
- Utilisez du matériel de manutention en hauteur et des dispositifs de protection adaptés si vous travaillez à une hauteur de plus de 2 mètres (il se peut que des restrictions locales s'appliquent).
- Nettoyez ensuite la zone.



ATTENTION !

Le service, l'entretien et les réparations doivent être effectués uniquement selon les directives TRGS 560 et TRGS 528 par des personnes agréées, qualifiées et expertes utilisant des méthodes de travail appropriées.



Équipement de protection individuelle (EPI)

Portez une protection respiratoire et des gants de protection pendant le service, l'entretien et les réparations.

4 INSTALLATION

4.1 Outils et outillage

Les outils et l'outillage suivants sont nécessaires pour installer le produit :

- outils de base



4.2 À acquérir localement

Lorsque vous installez le bras d'aspiration sur des supports muraux, vous avez besoin de matériel de fixation murale supplémentaire, en fonction du type de mur. Reportez-vous au manuel des supports muraux pour les instructions de montage.



4.3 Déballage

Contrôlez si le produit est complet. Le contenu de l'emballage se compose des éléments suivants :

- joint-tournant (complet)
- 2 sections du bras (assemblées) avec manchons en caoutchouc
- manchon en caoutchouc (2)
- buse d'aspiration
- tuyau flexible (pour la charnière de la buse)
- bouchon d'extrémité⁴
- matériaux de fixation



Si des éléments manquent ou sont endommagés, prenez contact avec votre fournisseur.

Les tuyaux flexibles sont sanglés. Vous devez couper les sangles avant le montage.

4.4 Possibilités de montage

L'installation du bras d'aspiration peut s'effectuer de trois façons différentes.

Pour montage sur :

- une unité mobile (épuration des fumées de soudure du type Mobiflex 200-M, 400-MS ou 300-E), continuez au paragraphe 4.4.1
- des supports muraux (type LMB), continuez au paragraphe 4.4.2
- une potence d'extension (type EC), continuez au paragraphe 4.4.3



AVERTISSEMENT

Laissez la bande autour des deux sections du bras jusqu'à la fin de l'installation du bras, buse comprise.

4.4.1 Montage sur une unité mobile⁵

Fig. 4.1

- Dévissez les quatre boulons de fixation du couvercle du tableau de commande.
- Retirez le couvercle.
- Fixez le joint-tournant (C) sur l'unité mobile à l'aide des boulons à tête hexagonale et les rondelles. Assurez vous que :
 - le trou de passage des câbles (B) est situé à l'avant de l'unité ; et
 - l'extrémité longue de la goupille (A) est orientée vers l'arrière, en alignement avec le trou de passage des câbles (B)

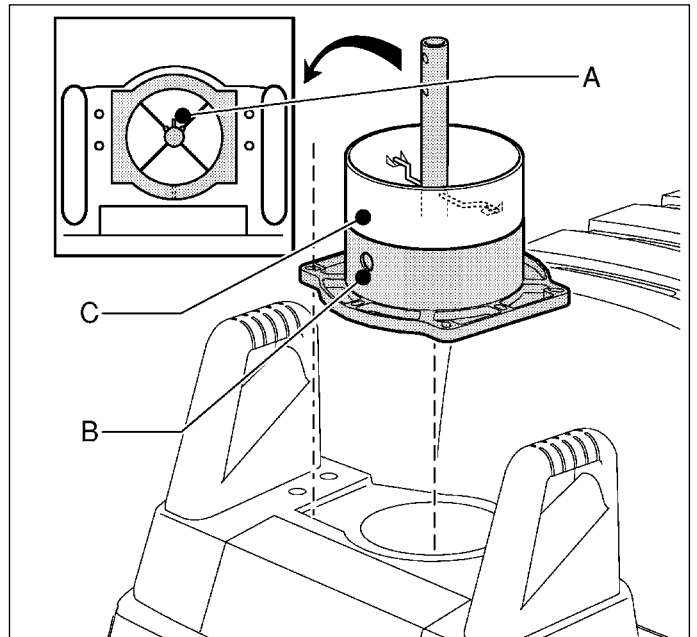


Fig. 4.1 Joint-tournant sur unité mobile

Fig. 4.2

- Faites glisser le manchon en caoutchouc (B) autour du joint-tournant (C).
- Repliez les 2/3 du manchon.
- Placez le tuyau flexible⁶ autour de du joint-tournant (C). Assurez-vous qu'au moins une des bagues en métal couvre les nervures du joint-tournant.
- Dépliez le manchon et placez-le sur le tuyau pour rendre le raccordement étanche.
- Installez le couvercle. Serrez fermement les quatre boulons de fixation.

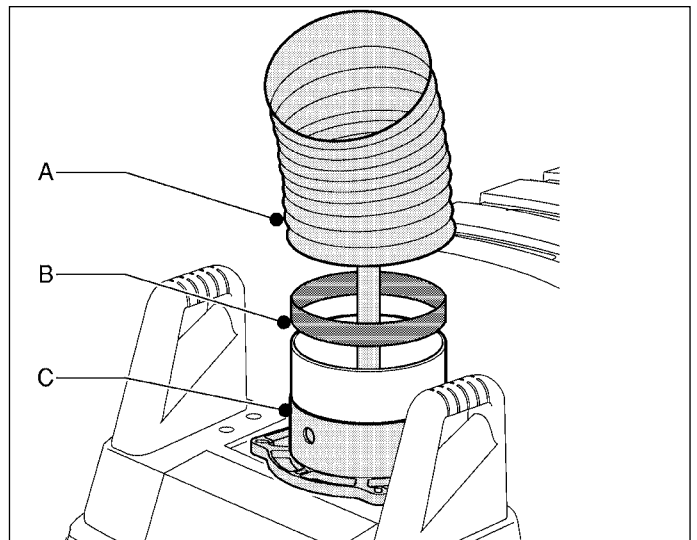


Fig. 4.2 Tuyau flexible

Fig. 4.3

- Fixez la charnière du bras d'aspiration (B) sur la tige d'articulation (C) de l'unité mobile à l'aide des boulons et des écrous. Pour cela, utilisez les deux trous de fixation indiqués (A).

Si le bras d'aspiration est équipé d'une lampe de travail (WL) ou d'une lampe de travail avec marche/arrêt automatique (WL-AST), vous devez maintenant connecter le câble d'alimentation (NCW-4). Pour cela, reportez-vous au manuel correspondant.

4. Lorsque vous installez le bras sur une unité mobile, la butée est redondante

5. Type : Mobiflex 200-M, 400-MS ou 300-E

6. Fourni avec l'aspirateur de fumées de soudure mobile

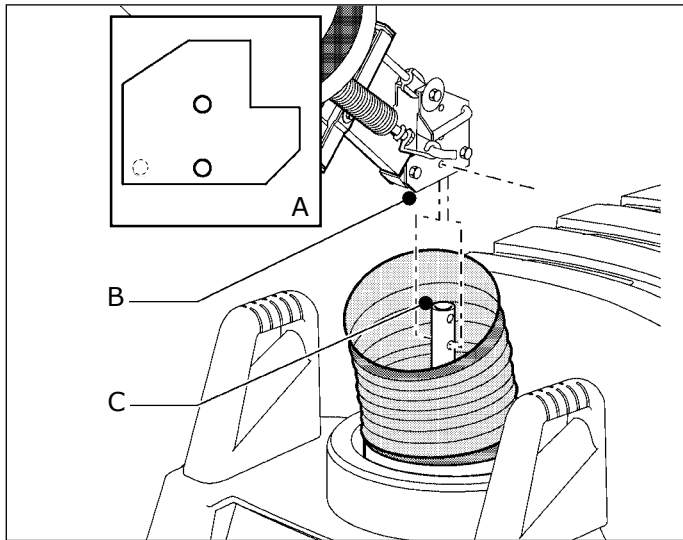
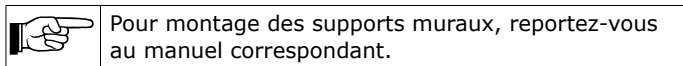


Fig. 4.3 Bras sur tige d'articulation

- Utilisez les manchons en caoutchouc autour des sections du bras pour rendre les raccordements étanches à l'air.
- Pour montage de la buse, continuez au paragraphe 4.4.4.

4.4.2 Montage sur supports muraux⁷



Pour montage des supports muraux, reportez-vous au manuel correspondant.

Fig. 4.4

- Installez les supports muraux.
- Fixez la charnière pivotante (C) sur les supports muraux (E) à l'aide des boulons à tête hexagonale et des rondelles. Assurez vous que :
 - le trou de passage des câbles (A) est situé côté mur ; et
 - l'extrémité longue de la goupille (B) est orientée vers l'avant, en alignement avec le trou de passage des câbles (A)

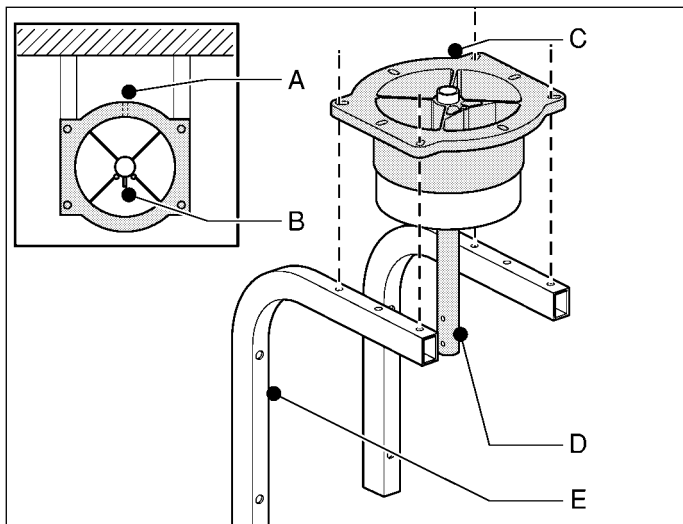


Fig. 4.4 Joint-tournant sur supports muraux

Fig. 4.5

- Fixez l'adaptateur de suspension⁸ (D) sur la tige d'articulation (C) à l'aide des boulons et des écrous.
- Installez le bride ressort (F).
- Faites glisser le manchon en caoutchouc (A) autour du joint-tournant (B).

7. Type : LMB

8. Fourni avec les supports muraux (LMB)

- Repliez les 2/3 du manchon.
- Placez le tuyau flexible⁹ (E) autour du joint-tournant (B). Assurez-vous qu'au moins une des bagues en métal couvre les nervures du joint-tournant.
- Dépliez le manchon et placez-le sur le tuyau pour rendre le raccordement étanche.

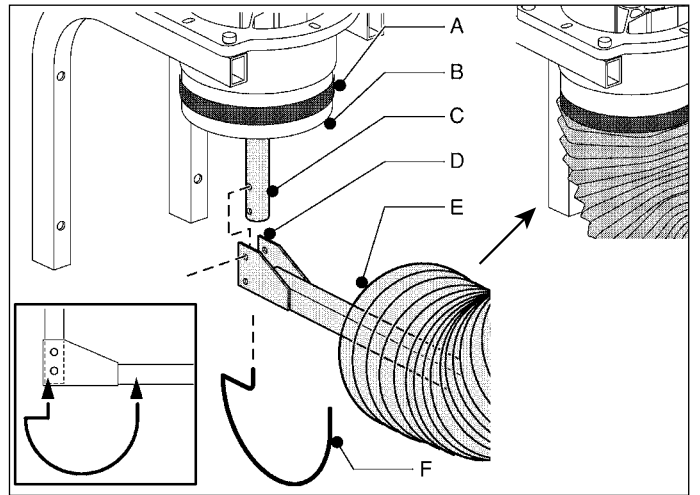


Fig. 4.5 Adaptateur de suspension sur tige d'articulation

Fig. 4.6

- Faites glisser la butée (D) sur la charnière (C) du bras d'aspiration et fixez-les toutes les deux sur l'adaptateur de suspension (B) à l'aide des boulons et des écrous. Pour cela, utilisez les deux trous de fixation indiqués (A).

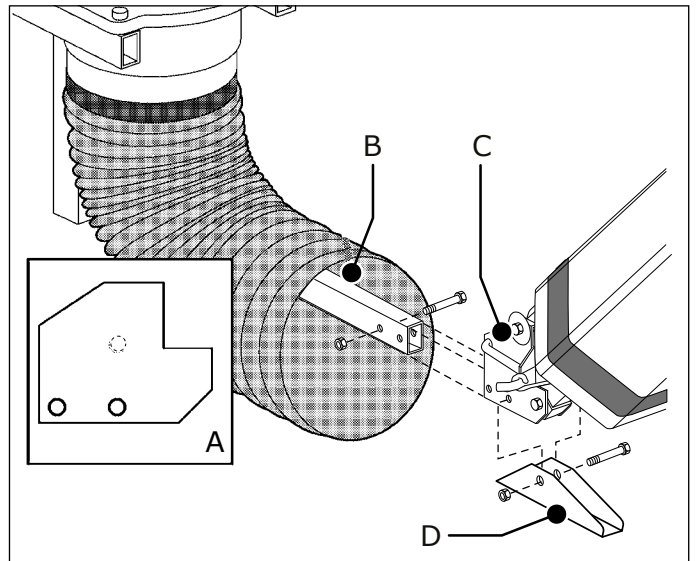


Fig. 4.6 Bras sur adaptateur de suspension

Si le bras d'aspiration est équipé d'une lampe de travail (WL) ou d'une lampe de travail avec marche/arrêt automatique (WL-AST), vous devez maintenant connecter le câble d'alimentation (NCW-11). Pour cela, reportez-vous au manuel correspondant.

Bras LFA 3.1 et LFA 4.1 uniquement :

Les bras LFA 3.1 et LFA 4.1 sont livrés avec un ressort de distance conçu pour protéger le tuyau flexible. Le ressort est fixé à l'articulation du coude du bras au moyen d'une bande adhésive.

9. Fourni avec les supports muraux (LMB)

Fig. 4.7

- Prenez le ressort de distance (A) et installez-le sur l'articulation du coude (B).

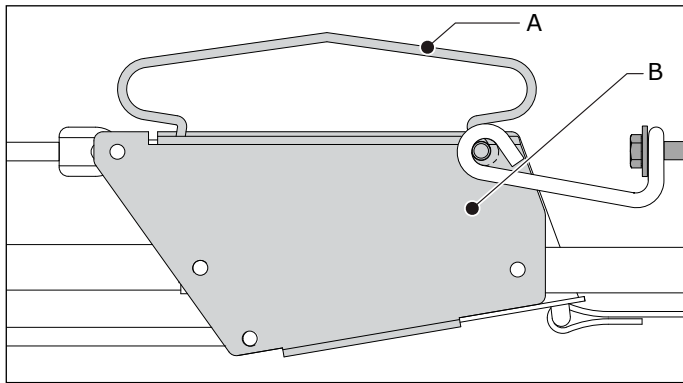


Fig. 4.7 Ressort de distance

Tous types de bras :

- Utilisez les manchons en caoutchouc autour des sections du bras pour rendre les raccordements étanches à l'air.
- Pour montage de la buse, continuez au paragraphe 4.4.4.

4.4.3 Montage sur une potence d'extension¹⁰



Pour montage de la potence d'extension, reportez-vous au manuel correspondant.

Fig. 4.8

- Fixez le joint-tournant (A) sur les supports muraux (C) de la potence d'extension à l'aide des boulons à tête hexagonale et des rondelles. Assurez vous que :
 - le trou de passage des câbles (E) est situé sur le côté de la potence ; et
 - l'extrémité longue de la goupille (D) est orientée vers l'avant, en alignement avec le trou de passage des câbles (E)

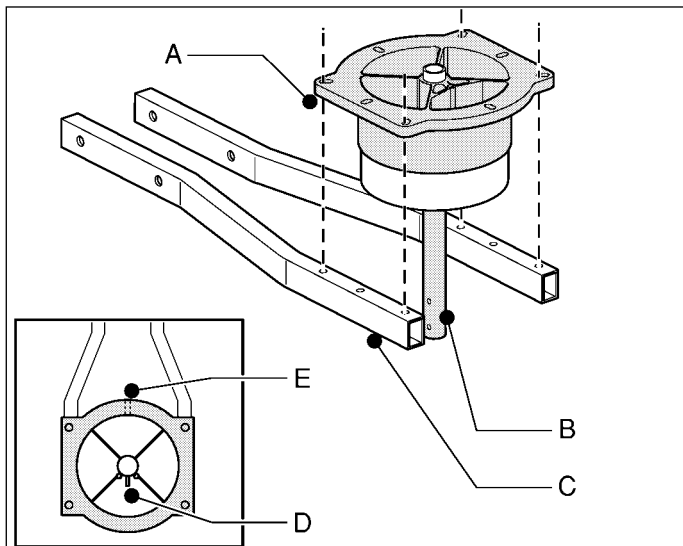


Fig. 4.8 Joint-tournant sur la potence

Pour installer le bras sur le joint-tournant :

- poursuivez les opérations selon les instructions de la **Fig. 4.5** et suivantes

4.4.4 Montage de la buse



AVERTISSEMENT

Laissez la bande autour des deux sections du bras jusqu'à la fin de l'installation de la buse.

Fig. 4.9

- Faites glisser un manchon en caoutchouc sur l'extrémité de la section du bras.
- Repliez les 2/3 du manchon.
- Placez provisoirement le tuyau flexible et l'autre manchon (dans cet ordre) sur l'extrémité de la section du bras (côté buse).
- Fixez la buse sur la section en U (A) à l'aide du boulon et de l'écrou.

Si le bras d'aspiration est équipé d'une lampe de travail (WL) ou d'une lampe de travail avec marche/arrêt automatique (WL-AST), vous devez maintenant connecter le câble d'alimentation. Pour cela, reportez-vous au manuel correspondant.

- Faites glisser le tuyau sur la section du bras. Assurez-vous qu'au moins une des bagues en métal couvre les nervures du tube.
- Faites glisser l'autre côté du tuyau sur le bord de la buse. Assurez-vous qu'au moins une des bagues en métal couvre les nervures de la buse.
- Utilisez les manchons en caoutchouc pour rendre les raccordements étanches à l'air.

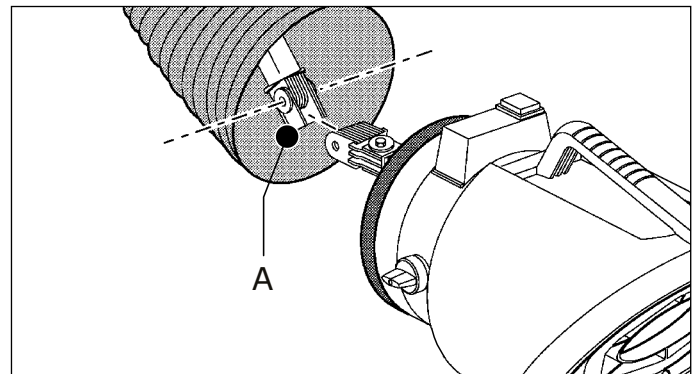


Fig. 4.9 Montage de la buse

- Retirez la bande reliant les deux sections du bras.
- Utilisez les manchons en caoutchouc autour des sections du bras pour rendre les raccordements étanches à l'air.

5 UTILISATION



Équipement de protection individuelle (EPI)

Pendant l'utilisation, utilisez un EPI pour éviter les blessures. Ceci vaut également pour les personnes pénétrant dans la zone de travail pendant l'installation.

5.1 Fonctions

La buse du bras est dotée d'une poignée qui permet un positionnement facile et d'un registre pour réguler le flux d'air. Tous les mouvements du bras sont commandés depuis la buse.

Fig. 5.1

- A Registre
- B Poignée

10. Type : EC

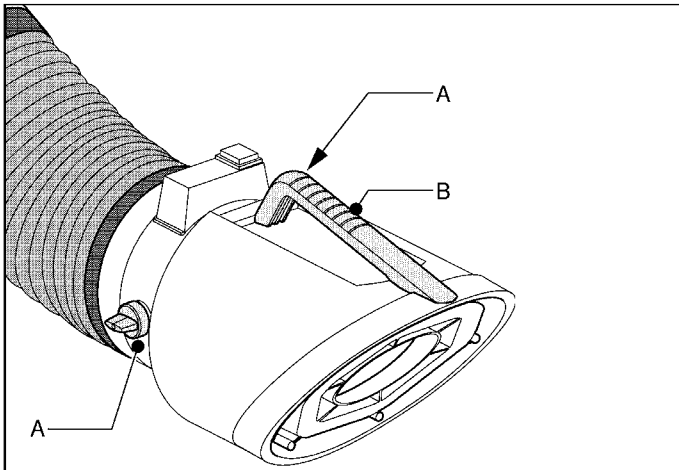


Fig. 5.1 Fonctions

5.2 Utilisation

Fig. 5.2

- Utilisez la poignée (voir Fig. 5.1B) pour positionner la buse du bras à une distance max. de 480 mm de la source de pollution.
- Assurez-vous que le registre (voir Fig. 5.1A) est ouvert.
- Si présent / désiré :
Allumez la lampe de travail.
- Allumez le ventilateur ou le système d'aspiration raccordé^{11,12}.
- Commencez à souder.
- Si besoin, fermez partiellement le registre pour régler le flux d'air.
- En cas de changement de position de soudure, dirigez la buse correctement vers la soudure.
- Éteignez le ventilateur ou le système d'aspiration raccordé, environ 20 secondes après la fin des travaux de soudure¹³.

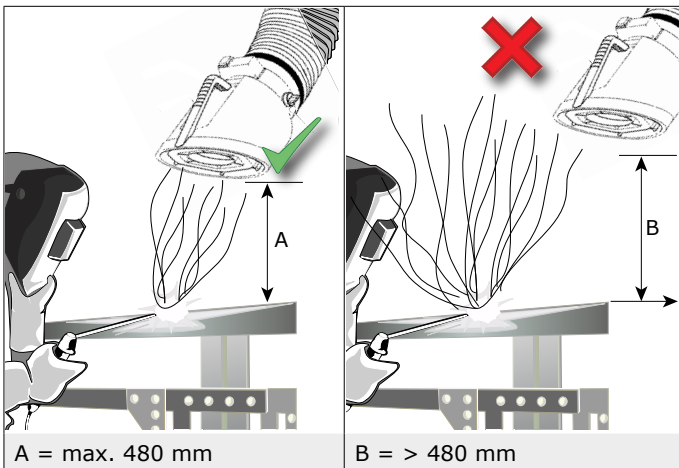


Fig. 5.2 Position correcte de la buse

11. Comme un épurateur mobile des fumées de soudure, un ventilateur ou système d'aspiration
12. Si vous avez un système de marche/arrêt automatique (WL-AST ou WCS), le dispositif d'aspiration démarrera automatiquement lorsque vous commencerez à souder
13. Si vous avez un système de marche/arrêt automatique (WL-AST ou WCS), le dispositif d'aspiration s'arrêtera automatiquement après un certain délai d'arrêt

6 ENTRETIEN

6.1 Entretien périodique



Le produit a été conçu pour fonctionner longtemps sans problème et avec un minimum d'entretien. Pour vous en assurer, il faut néanmoins effectuer les indispensables opérations d'entretien et de nettoyage décrites dans ce chapitre.



MISE EN GARDE

Tout retard dans l'entretien peut provoquer un feu.

Le calendrier d'entretien indiqué peut varier en fonction des conditions de travail et d'exploitation. C'est pourquoi - outre le calendrier d'entretien périodique indiqué dans ce manuel - il est recommandé de soumettre chaque année la machine à une inspection générale et minutieuse. Pour cela, contactez votre fournisseur.

Composant	Opération	Fréquence : chaque X mois	
		X=3	X=6
Généralités			
Extérieur du bras	Nettoyez à l'aide d'un nettoyant doux	X	
Tuyaux flexibles	Vérifiez qu'il est exempt de fissures et non endommagé. Remplacez-le si nécessaire.		X
Intérieur du bras	Nettoyez soigneusement		X
Registre	Vérifiez le fonctionnement		X
Charnière de la buse	Vérifiez le mouvement horizontal et vertical de la buse. Si nécessaire, nettoyez la charnière de la buse ou réglez le mécanisme de frottement ; reportez-vous au paragraphe 6.2.1		X
Joint-tournant	Lubrifiez l'essieu : reportez- vous au paragraphe 6.3		X
Câbles en acier	Vérifiez l'usure		X
LFA 3.0 LFA 4.0			
Points charnières	Vérifiez et lubrifiez ; reportez-vous à Fig. IV (C) à la page 61		X
Articulation du coude	Vérifiez le frottement. Ajustez si nécessaire ; reportez-vous à Fig. IV (A) à la page 61		X
LFA 3.1 LFA 4.1			
Points charnières	Vérifiez et lubrifiez ; reportez-vous à Fig. V (C) à la page 62		X
Câble en acier près du la roue Balance	Vérifiez et lubrifiez ; reportez-vous à Fig. V (B) à la page 62		X
Système de l'équilibrage	Vérifiez l'équilibrage du bras d'aspiration. Ajustez si nécessaire ; reportez-vous à Fig. V (A) à la page 62		X

6.2 Système d'équilibrage

Si le bras d'aspiration, ou une partie de celui-ci, ne reste pas dans la position souhaitée, vous devez régler le frottement et/ou le système d'équilibrage.

Pour examiner et régler le système de l'équilibrage, procédez comme suit.

Fig. 6.1

- Tirez le bras (y compris la buse) en position horizontale.
- Pliez le bras.
- Bougez le bras et la buse de haut en bas, de gauche à droite en position droite et pliée.

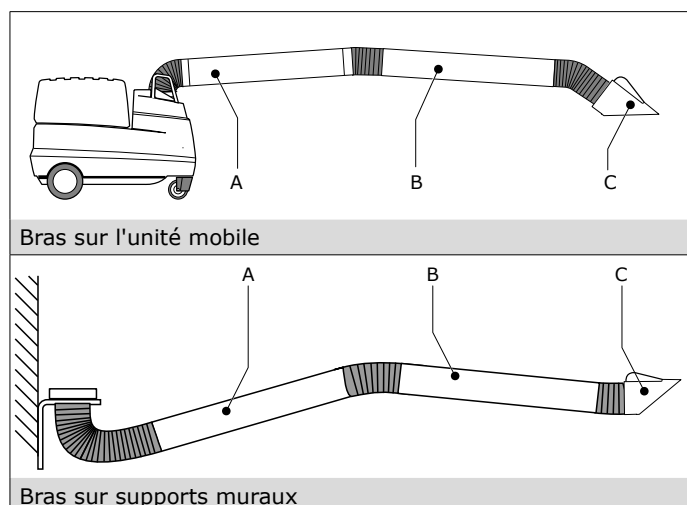


Fig. 6.1 Bras en position horizontale

	<p>Dans le cas où vous pouvez facilement bouger l'ensemble du bras (y compris la buse) et qu'il reste dans n'importe quelle position, le système de l'équilibrage est correctement réglé.</p>	
--	---	--

Pour le réglage de la buse d'aspiration (C) :

- continuez au paragraphe **6.2.1**

Pour le réglage de la section du bras (côté buse) (B) :

- continuez au paragraphe **6.2.2**

Pour le réglage de la section du bras (côté mural / appareil) (A) :

- continuez au paragraphe **6.2.3**

6.2.1 Charnière de la buse

Frottement trop élevé

S'il est difficile de bouger la buse, il est possible que la charnière soit encrassée. Dans ce cas, procédez comme suit.

- Démontez le tuyau flexible.
- Coupez les attaches de câble et abaissez la housse de protection en caoutchouc¹⁴.
- Nettoyez la charnière de la buse.
- Ajustez le frottement (voir les instructions de Fig. 6.2).
- Installez la housse de protection sur la charnière de la buse et fixez-la avec deux attaches de câble neuves.
- Installez le tuyau flexible. Vérifiez que le raccordement est étanche à l'air.

Frottement trop faible

Si la buse ne reste pas dans la position souhaitée, vous devez serrer le frottement.

Fig. 6.2

- Démontez le tuyau flexible.

- Coupez les attaches de câble et abaissez la housse de protection en caoutchouc.
- Déterminez quelle partie de la charnière doit être ajustée :
 - le mouvement vertical (A) ;
 - le mouvement horizontal (B)
- Serrez le boulon et l'écrou correspondants.
- Installez la housse de protection sur la charnière de la buse et fixez-la avec deux attaches de câble.
- Installez le tuyau flexible. Vérifiez que le raccordement est étanche à l'air.

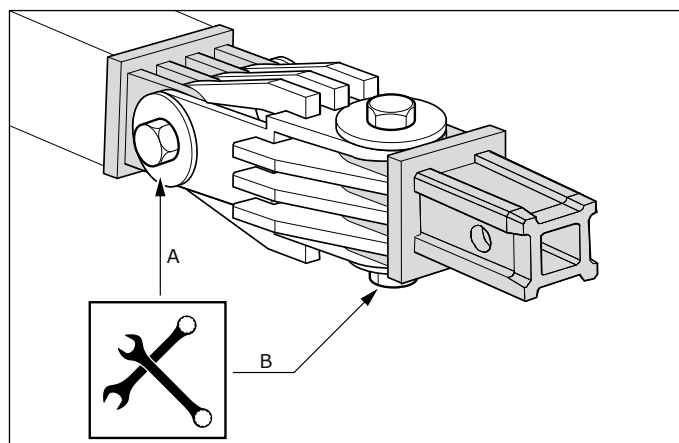


Fig. 6.2 Charnière de la buse

6.2.2 Section du bras (côté buse)

Pour régler l'équilibrage, vous devez débrancher le tuyau flexible de l'articulation du coude. Une fois que c'est fait, installez le tuyau et serrez-le de façon hermétique avec les manchons en caoutchouc.

Bras LFA 3.0 et LFA 4.0

Fig. 6.3 (voir également Fig. 6.1B)

- Tirez le bras (y compris la buse) en position horizontale.

Si la section du bras tombe :

- Tournez le boulon M8 (A) en sens horaire pour resserrer le mécanisme de frottement.

Si la section du bras est difficile à descendre :

- Tournez le boulon M8 (A) en sens antihoraire pour desserrer le mécanisme de friction.

Si la section du bras est difficile à remonter :

- Tournez le boulon M8 (B) en sens antihoraire jusqu'à ce que vous puissiez remonter la section du bras facilement.

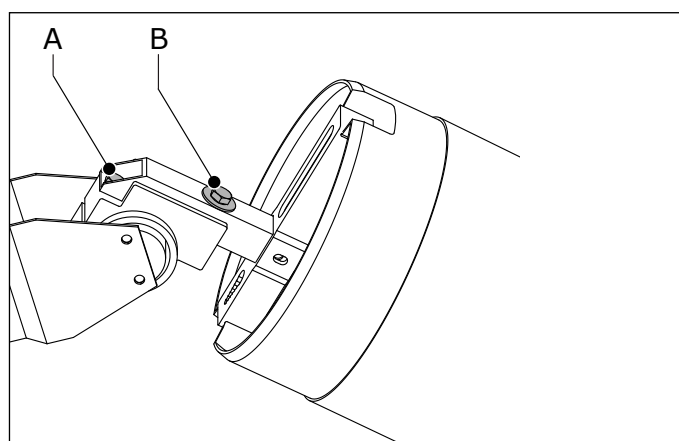


Fig. 6.3 Articulation du coude – LFA 3.0 | LFA 4.0

14. Si la housse de protection en caoutchouc est endommagée, vous devez la remplacer

Bras LFA 3.1 et LFA 4.1

Fig. 6.4 (voir également Fig. 6.1B)

- Tirez le bras (y compris la buse) en position horizontale.

Si la section du bras tombe :

- Serrez le boulon (A) pour augmenter la tension du ressort.

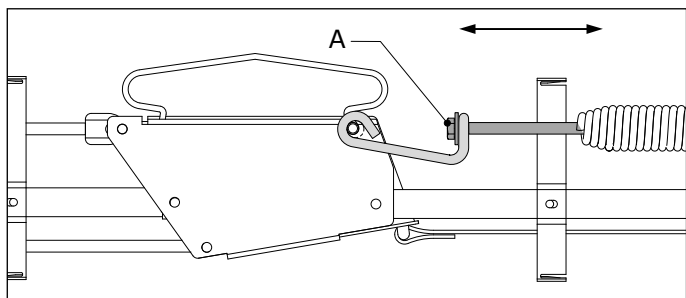


Fig. 6.4 Articulation du coude – LFA 3.1 | LFA 4.1

6.2.3 Section du bras (côté mural / appareil)

Pour régler l'équilibrage, vous devez débrancher le tuyau flexible de la charnière côté mur / appareil. Une fois que c'est fait, installez le tuyau et serrez-le de façon hermétique avec les manchons en caoutchouc.

Fig. 6.5 (voir également Fig. 6.1A)

- Tirez le bras (y compris la buse) en position horizontale.

Si le bras tout entier tombe :

- Serrez le boulon (A) pour augmenter la tension du ressort. Assurez-vous que le ressort (B) ne tourne pas pendant que vous serrez le boulon.

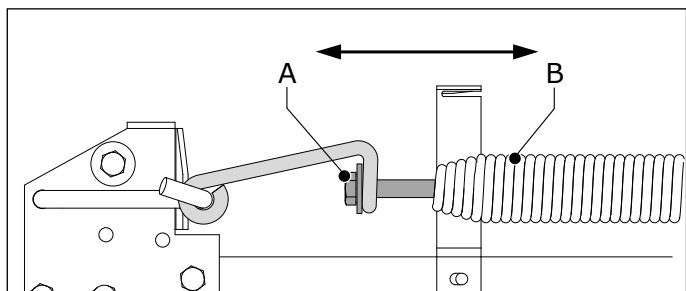


Fig. 6.5 Charnière côté mural / appareil

6.3 Graissage du joint-tournant

Pour que le joint-tournant puisse tourner librement, vous devez lubrifier l'axe régulièrement.

Fig. 6.6

- (B) Appliquez de la graisse dans le graisseur à l'aide d'un pistolet à graisse.

Type de graisse recommandé : graisse pour roulements EP2 standard

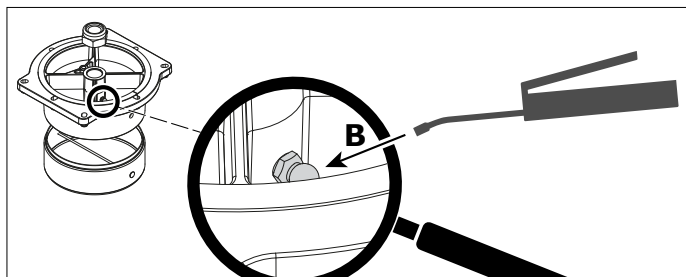


Fig. 6.6 Graissage du joint-tournant

7 DÉPANNAGE

Si le produit ne fonctionne pas (correctement), consultez la liste de vérifications suivantes pour voir si vous pouvez remédier vous-même au problème. Si ce n'est pas le cas, contactez votre fournisseur.



MISE EN GARDE

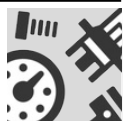
Respectez les règles de sécurité indiquées dans le chapitre 3 avant d'entreprendre les travaux ci-dessous.

Signalisation	Problème	Cause possible	Remède
Généralités			
Capacité d'aspiration insuffisante	Pollution des locaux	Le registre est fermé	Ouvrez le registre
		Tuyau(x) flexible(s) déchiré(s) ou desserré(s)	Remplacez le(s) tuyau(x) flexible(s) ou installez-le(s) correctement
		Manchon(s) en caoutchouc déchiré(s) ou mal installé(s)	Remplacez le(s) manchon(s) en caoutchouc ou installez-le(s) correctement
		L'air extérieur est aspiré dans le système de conduits raccordé	Rendre le système de conduits hermétique
La buse d'aspiration n'est pas équilibrée	La buse ne reste pas dans la position souhaitée	Frottement trop faible	Ajustez le frottement de la charnière de la buse ; reportez-vous au paragraphe 6.2.1
	Vous ne pouvez pas mettre la buse dans la position souhaitée	Frottement trop élevé	
Le bras entier (les deux sections du bras) tombe	Le bras ne reste pas dans la position souhaitée	Tension du ressort trop faible	Augmentez la tension du ressort de la charnière côté mural / appareil ; reportez-vous au paragraphe 6.2.3
LFA 3.0 LFA 4.0			
Le bras d'aspiration grince	Le bras ne bouge pas facilement	Lubrification insuffisante	Lubrifiez les points charnières ; reportez-vous à Fig. IV (C) à la page 61
Problème de mouvement du côté buse du bras	Frottement dans l'articulation du coude	Friction insuffisante due à l'usure	Ajustez le frottement de l'articulation du coude ; reportez-vous au paragraphe 6.2.2 (Bras LFA 3.0 et LFA 4.0)
		Frottement trop élevé	
		Frottement trop importante due à la pollution	Nettoyez le mécanisme de frottement dans l'articulation du coude

Signalisation	Problème	Cause possible	Remède
LFA 3.1 LFA 4.1			
Le bras d'aspiration grince	Le bras ne bouge pas facilement ; usure excessive des pièces	Lubrification insuffisante	Lubrifiez les points charnières ; reportez-vous à Fig. V (C) à la page 62
			Lubrifiez le câble en acier près de la roue Balance ; reportez-vous à Fig. V (B) à la page 62
Le côté buse du bras tombe	Le bras ne reste pas dans la position souhaitée	Tension du ressort trop faible	Augmentez la tension du ressort ; reportez-vous au paragraphe 6.2.2 (Bras LFA 3.1 et LFA 4.1)

8 PIÈCES DÉTACHÉES

Les pièces détachées suivantes sont disponibles pour les produits ;



8.1 LFA 3.0 | LFA 4.0

Voir la vue éclatée Fig. VI à la page 63 et la liste des pièces détachées à la page 64

8.2 LFA 3.1 | LFA 4.1

Voir la vue éclatée Fig. VII à la page 65 et la liste des pièces détachées à la page 66

9 METTRE AU RANCART

En fin de vie, le produit doit être éliminé conformément aux réglementations et/ou directives fédérales, nationales ou locales en vigueur.



PREÁMBULO

Acerca de este manual

Este manual se editó en concepto de documento de referencia para usuarios profesionales, cualificados y debidamente autorizados. Con este manual podrá instalar, hacer funcionar, mantener y reparar de una forma segura el producto que se indica en la portada.

Pictogramas y símbolos

En el presente manual figuran los siguientes pictogramas y símbolos:

	CONSEJO Sugerencias e indicaciones acerca de la manera de realizar con mayor facilidad las tareas y acciones que se describen.
	¡ATENCIÓN! Comentario sobre información adicional para el usuario. El comentario alerta al usuario de posibles problemas.
	¡CUIDADO! Advierte sobre operaciones que, en caso de no ejecutarse con el debido cuidado, pueden causar algún desperfecto en el producto, daños en el entorno o perjudicar el medio ambiente.
	¡ADVERTENCIA! Advierte sobre operaciones que, en caso de no ejecutarse con el debido cuidado, pueden conducir a serios desperfectos en el producto y provocar lesiones físicas.
	¡ADVERTENCIA! ¡Peligro de incendio! Advertencia importante para evitar incendios.
	¡ADVERTENCIA! ¡Peligro de explosión! Advertencia importante para evitar explosiones.
	Equipo de protección individual (EPI) Instrucciones para usar protección respiratoria cuando realice tareas de asistencia, mantenimiento y reparación, así como durante pruebas funcionales. Recomendamos usar un equipo de protección respiratoria de media cara conforme a EN 149:2001 + A1:2009, clase FFP3 (Directiva 89/686/CEE).
	Equipo de protección individual (EPI) Instrucciones para usar guantes de protección cuando realice tareas de asistencia, mantenimiento y reparación.

Indicadores de texto

Los listados indicados mediante un "-" (guión) se refieren a enumeraciones.

Los listados indicados mediante un "•" (punto) se refieren a pasos que hay llevar a cabo.

1 INTRODUCCIÓN

1.1 Identificación del producto

La placa de características contiene los siguientes datos:

- denominación del producto
- número de serie



1.2 Descripción general

El LFA es un brazo de aspiración flexible con una campana rotatoria *RotaHood*, que se puede girar 360°. La campana contiene una válvula reguladora y un alerón de aspiración enfocado que dirige el aire a la campana.

Hay dos tipos de brazos:

1.2.1 LFA 3.0 | LFA 4.0

Estos brazos están provistos del sistema de fricción avanzado *DeBlock* para un posicionamiento del brazo ligero y fácil de usar.

1.2.2 LFA 3.1 | LFA 4.1

Estos brazos están provistos del sistema de balanza de resorte *Balance* para un posicionamiento del brazo ultraligero y fácil de usar.

1.3 Opciones y accesorios

Para una mayor facilidad de uso, podrá seleccionar uno de los siguientes accesorios:

- WL | Lámpara de trabajo
- WL-AST | Lámpara de trabajo + dispositivo de arranque/paro automático
- WCS | Sensor del cable de soldadura

1.4 Combinaciones de productos

Los brazos LFA son aptos para sistemas de aspiración de humos de soldadura móviles y estacionarios.



Véase Fig. I en la página 59 para más detalles.

También son aptos para usarse en sistemas de aspiración de humos centralizados¹.

1.5 Datos técnicos



Dimensiones y características	
Longitud del brazo: - LFA 3.0 LFA 3.1 - LFA 4.0 LFA 4.1	- 3 m - 4 m
Diámetro	Ø 203 mm
Material: - tubos y campana - mangueras	- copolímero de polipropileno con estabilización UV - PVC reforzado con fibra de vidrio + resortes metálicos
Peso: - LFA 3.0 LFA 3.1 - LFA 4.0 LFA 4.1	- 15 kg - 17 kg
Rendimiento	
Flujo de aire recomendado	máx. 1600 m ³ /h

1.6 Alcance de trabajo

Véase Fig. II en la página 60.

1.7 Caída de presión

Véase Fig. III en la página 60.

1. Sistemas con un conducto de aspiración central, con o sin filtración

1.8 Condiciones de entorno y de proceso

Temperatura del proceso:	
- mín.	5 °C (41 °F)
- nom.	20 °C (68 °F)
- máx.	45 °C (113 °F)
Humedad relativa del aire máx.	80 %
Apto para uso en exteriores	no

El brazo está equipado con una válvula reguladora para regular el flujo de aire.

2.2.2 Uso estacionario

Los humos de soldadura se extraen a través de la campana del brazo de aspiración mediante un ventilador individual o central. El brazo descarga el aire contaminado a un conducto de aspiración con unidad de filtración o directamente a la atmósfera.

El brazo está equipado con una válvula reguladora para regular el flujo de aire.

2 DESCRIPCIÓN DEL PRODUCTO

2.1 Componentes

El producto consta de los siguientes componentes y elementos principales:

Fig. 2.1

- A Brida de conexión con bisagra giratoria
- B Junta de goma
- C Manguera flexible
- D Sección de brazo (lado de pared/unidad)
- E Bisagra central
- F Campana
- G Asa
- H Botón giratorio para controlar la válvula reguladora
- I Válvula reguladora
- J Bisagra de la campana
- K Sección de brazo (lado de la campana)

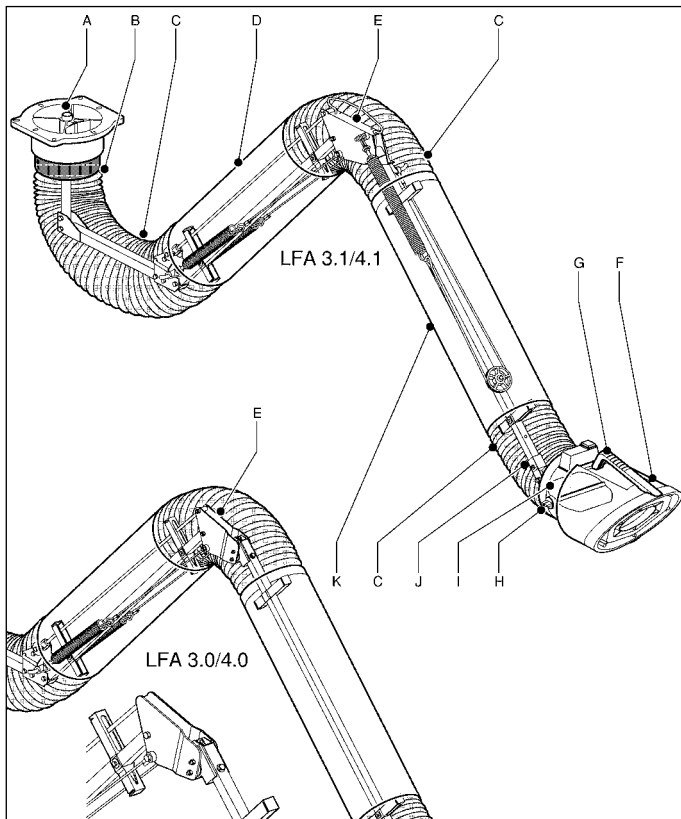


Fig. 2.1 Componentes y elementos principales

2.2 Funcionamiento

2.2.1 Uso móvil

Los humos de soldadura se extraen a través de la campana del brazo de aspiración mediante el ventilador de un aspirador móvil de humos de soldadura². El brazo descarga el aire contaminado a la unidad de filtración.

2. Modelo: Mobiflex 200-M, 400-MS o 300-E

3 SEGURIDAD

Generalidades

El fabricante no se responsabiliza de ningún modo de los daños o lesiones que se puedan producir a causa del incumplimiento de las normativas e instrucciones en materia de seguridad que se proporcionan en el presente manual, así como en casos de negligencia durante la instalación, manejo, mantenimiento y reparación del producto o de los posibles accesorios que se describen en el presente documento. En función de las condiciones de trabajo específicas o los accesorios utilizados, puede que sean necesarias normas de seguridad complementarias. En caso de que durante el uso del producto se detecten posibles fuentes de peligro, le rogamos que se ponga en contacto con el proveedor del producto.



El usuario del producto tendrá en todo momento la plena responsabilidad del cumplimiento de las normativas y directivas locales en materia de seguridad. Se deberán cumplir siempre las instrucciones y normas de seguridad en vigor.

Manual de instrucciones

- Todas las personas que utilicen el producto deberán estar familiarizadas con el contenido de las presentes instrucciones y deberán cumplir estrictamente las indicaciones que se dan en las mismas. La dirección de la empresa asume la obligación de instruir al personal basándose en dichas instrucciones, así como cumplir todas las normas e instrucciones.
- El usuario no deberá alterar en ningún momento el orden de los pasos a realizar.
- Estas instrucciones se deberán guardar siempre en las proximidades del producto.

Operarios

- El manejo del equipo que se describe queda reservado a personal debidamente cualificado y autorizado. Los empleados temporales, así como aprendices u otras personas en formación, solo podrán manejar el equipo bajo la supervisión y responsabilidad de personal experto.
- Esté atento y preste mucha atención a su trabajo. No maneje el producto nunca bajo la influencia de drogas, alcohol o tras ingerir medicinas.
- La máquina no la deberán usar niños ni personas con capacidades físicas, sensoriales o mentales reducidas, o con falta de experiencia y conocimientos, a menos que reciban supervisión o instrucciones.
- Se deberá supervisar a los niños para evitar que jueguen con la máquina.



Utilización debida³

El producto se ha diseñado exclusivamente para la aspiración de humos y partículas liberados durante la mayoría de procesos de soldadura y corte habituales. Todo uso distinto o que vaya más allá de esta finalidad será considerado como uso indebido. El fabricante declina toda responsabilidad por los daños o lesiones que se puedan producir a causa de ese uso indebido. El equipo se ha fabricado de conformidad con las normas vanguardistas y las normativas de seguridad reconocidas. Use solo este equipo cuando esté en perfectas condiciones técnicas conforme a su utilización debida y las instrucciones que se explican en el presente manual.

Datos técnicos

Las especificaciones que figuran en el presente manual no se deberán modificar.

Modificaciones

No se permiten modificaciones o cambios del equipo o de componentes del mismo.


Combinaciones de productos

Cuando el producto se utilice en combinación con otros equipos o máquinas, se aplicarán también las instrucciones de seguridad incluidas en los documentos relacionados con dichos productos.



Instalación

- La instalación del equipo que se describe aquí queda reservada a técnicos debidamente cualificados y autorizados.
- Durante la instalación, use siempre equipos de protección individual (EPI) para evitar daños. Esto también es aplicable a las personas que accedan a la zona de trabajo durante la instalación.
- Use equipo de ascenso y protecciones de seguridad suficientes cuando trabaje a una altura superior a 2 metros (puede que se apliquen restricciones locales).
- No instale el producto nunca delante de pasos de entrada o salida que tengan que permanecer accesibles para servicios de emergencia o similares.
- Tenga cuidado con las conducciones de gas y agua y los cables eléctricos.
- Asegúrese de que la zona de trabajo esté bien iluminada.
- Esté atento y preste mucha atención a su trabajo. No instale el producto nunca en estado de embriaguez o tras ingerir medicinas.
- No se deberá reciclar nunca aire que contenga partículas como cromo, níquel, berilio, cadmio, plomo, etc. Este aire se deberá llevar siempre fuera del lugar de trabajo.

Uso

	¡ADVERTENCIA! ¡Peligro de incendio! No utilice el equipo para: <ul style="list-style-type: none">- aplicaciones de pulido en combinación con amolado, soldadura o cualquier otra aplicación que genere chispas (las fibras de los discos de láminas pulidoras o lijadoras son muy inflamables y crean un grave peligro de que se produzcan incendios en los filtros cuando se expongan a chispas)- corte por arco aire- la aspiración de partículas, sustancias o líquidos inflamables, incandescentes o en llamas- la aspiración de humos o gases agresivos (como ácido clorhídrico) o partículas penetrantes
--	--


3. La "utilización debida" según la definición de EN-ISO 12100-1 es la utilización para la cual el producto técnico es adecuado en virtud de las indicaciones del fabricante, incluidas las indicaciones de este en el folleto de venta. En caso de duda, se trata de la utilización que se puede considerar usual en virtud de la construcción, el modelo y la función del producto en cuestión. El uso debido incluye además el cumplimiento de las instrucciones del manual de servicio o las instrucciones de uso.

	<ul style="list-style-type: none">- la aspiración de partículas de polvo liberadas durante los trabajos de soldadura de superficies imprimadas- la extracción de cigarrillos encendidos, puros, trapos con aceite y otras partículas y objetos incandescentes o ácidos
	¡ADVERTENCIA! ¡Peligro de explosión! No use el producto para aplicaciones con riesgo de explosión, p. ej.: <ul style="list-style-type: none">- corte de aluminio por láser- amolado de aluminio y magnesio- entornos explosivos o sustancias/gases explosivos
	¡ADVERTENCIA! No utilice el equipo para: <ul style="list-style-type: none">- aspiración de gases calientes (permanentemente por encima de los 70 °C/158 °F)- soldadura con llama- neblina de aceite- neblina de aceite pesada en humos de soldadura- aspiración de cemento, serrín, polvo de madera, etc.

- Inspeccione el producto cuidadosamente y compruebe que no tiene daños. Verifique además el funcionamiento correcto de los dispositivos de protección.
- Durante el uso, lleve siempre equipos de protección individual (EPI) para evitar lesiones. Esto también será aplicable para personas que accedan a la zona de trabajo.
- Compruebe la zona de trabajo. Mantenga alejada de la misma a toda persona no autorizada.
- Proteja el producto de la humedad y el agua.
- Asegúrese en todo momento de que haya una buena ventilación, en especial en dependencias de tamaño reducido.
- Asegúrese de que dispone, en su lugar de trabajo, del número necesario de extintores de incendios debidamente homologados (aptos para clases de incendios ABC) cerca del producto.

Servicio, mantenimiento y reparaciones

- Observe los intervalos de mantenimiento proporcionados en este manual. Los retrasos en el mantenimiento pueden provocar elevados costes de reparación y revisiones y pueden hacer que se invalide la garantía.
- Use siempre equipos de protección individual (EPI) para evitar lesiones. Esto también será aplicable para personas que accedan a la zona de trabajo.
- Asegúrese en todo momento de que haya una buena ventilación.
- Utilice en todo momento herramientas, materiales, técnicas de servicio y lubricantes homologados por el fabricante. No utilice nunca herramientas desgastadas y no olvide herramientas en el producto tras realizar tareas de mantenimiento.
- Los dispositivos de protección que se desmontan con el fin de realizar tareas de servicio, mantenimiento y reparación deberán montarse de nuevo una vez terminadas dichas tareas y tendrán que comprobarse para verificar que siguen funcionando correctamente.
- Use equipo de ascenso y protecciones de seguridad suficientes cuando trabaje a una altura superior a 2 metros (puede que se apliquen restricciones locales).
- Limpie la zona posteriormente.

	¡ATENCIÓN! El servicio, mantenimiento y las reparaciones se deberán realizar exclusivamente según las directivas TRGS 560 y TRGS 528 por personas autorizadas, cualificadas e instruidas (capacitadas) que usen las prácticas de trabajo adecuadas.
---	---



Equipo de protección individual (EPI)

Lleve protección respiratoria y guantes de protección durante el servicio, mantenimiento y reparaciones.

4 INSTALACIÓN

4.1 Herramientas y requisitos

Se necesitan las siguientes herramientas y requisitos para instalar el producto:

- herramientas básicas



4.2 No incluidas

Cuando monte el brazo de aspiración en los soportes de pared, necesitará herramientas de montaje en la pared que dependerán del tipo de pared. Véase el manual de los soportes de pared para consultar las instrucciones de montaje.



4.3 Desembalaje

Compruebe que el producto suministrado esté completo. El paquete contiene los siguientes elementos:

- bisagra giratoria (completa)
- 2 secciones de brazo (montadas) con juntas de goma
- junta de goma (2)
- campana
- manguera flexible (para la bisagra de la campana)
- tope final⁴
- material de fijación y conexión



En el caso de que falte o esté dañado alguno de estos elementos, póngase en contacto con su proveedor.

Las mangueras flexibles están atadas con una correa. Antes de montarlas, deberá cortar las correas.

4.4 Posibilidades de montaje

Podrá montar el brazo de aspiración de tres formas distintas.

Para montaje en:

- una unidad móvil (aspirador de humos de soldadura tipo Mobiflex 200-M, 400-MS o 300-E), continúe con el apartado 4.4.1
- soportes de pared (tipo LMB), continúe con el apartado 4.4.1
- un brazo de extensión (tipo EC), continúe con el apartado 4.4.3



¡ADVERTENCIA!

Deje la cinta alrededor de las dos secciones de brazo hasta que haya montado el brazo por completo, incluida la campana.

4.4.1 Montaje en una unidad móvil⁵

Fig. 4.1

- Afloje los cuatro pernos de fijación de la tapa del panel de control.
- Retire la tapa.
- Monte la bisagra giratoria (C) de la unidad móvil con los pernos de cabeza hexagonal y las arandelas. Asegúrese de que:
 - el orificio para pasar el cable (B) está situado en la parte delantera de la unidad; y
 - el extremo largo de la clavija (A) está apuntando a la parte posterior, en línea con el orificio para pasar el cable (B)

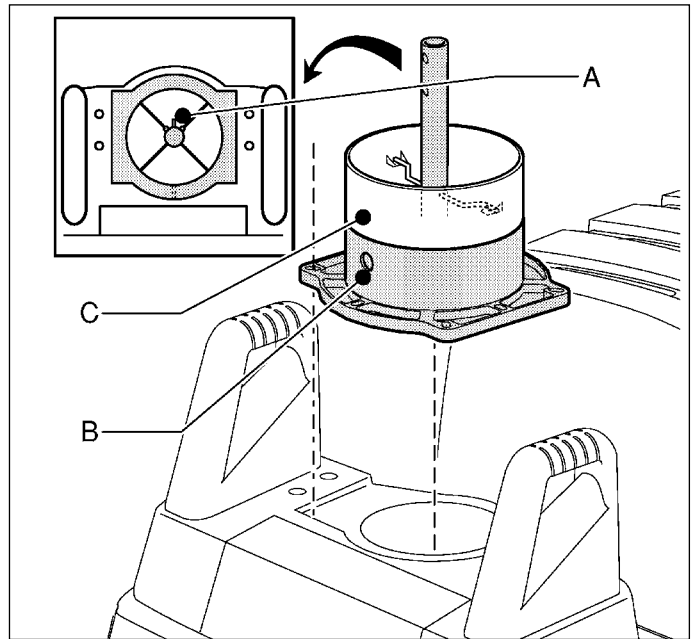


Fig. 4.1 Bisagra giratoria de la unidad móvil

Fig. 4.2

- Deslice la junta de goma (B) alrededor de la bisagra giratoria (C).
- Pliegue 2/3 de la junta.
- Coloque la manguera flexible⁶ alrededor de la bisagra giratoria (C). Asegúrese de que al menos un anillo metálico de la manguera cubra las cubreras de la bisagra giratoria.
- Despliegue la junta y colóquela sobre la manguera para que la conexión sea hermética.
- Coloque la tapa. Enrosque firmemente los cuatro pernos de fijación.

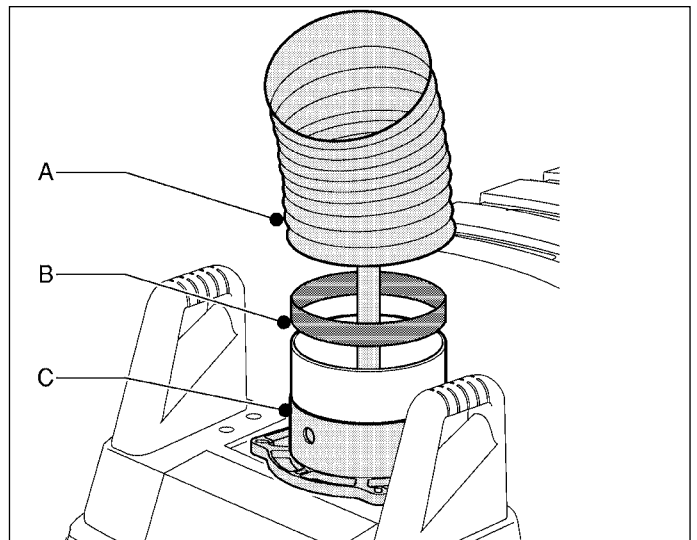


Fig. 4.2 Manguera flexible

Fig. 4.3

- Monte la bisagra del brazo de aspiración (B) en la varilla articulada (C) de la unidad móvil con los pernos y tuercas. Para este fin, utilice los dos orificios de montaje indicados (A).

En caso de que el brazo de aspiración esté provisto de una lámpara de trabajo (WL) o una lámpara de trabajo con dispositivo de arranque/paro automático (WL-AST), ahora deberá conectar el cable alimentador (NCW-4). Para este fin, véase el manual correspondiente.

4. Cuando monte el brazo en una unidad móvil, no se necesitará el tope final

5. Modelo: Mobiflex 200-M, 400-MS o 300-E

6. Se suministra con el aspirador móvil de humos de soldadura

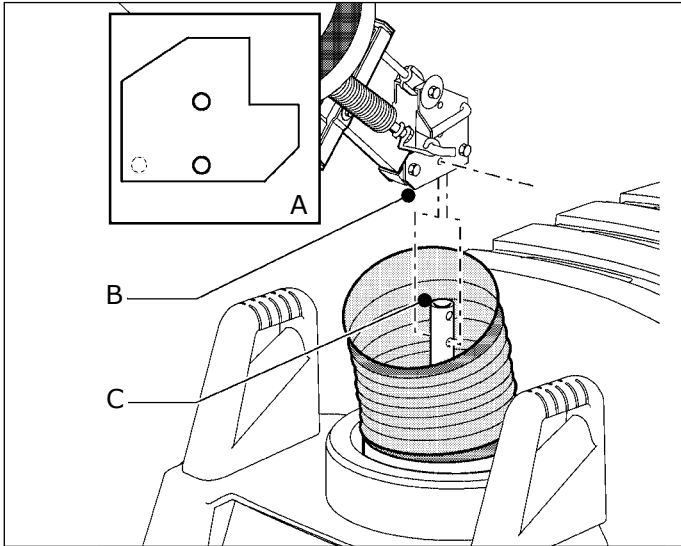


Fig. 4.3 Brazo en la varilla articulada

- Monte las mangueras flexibles en las secciones del brazo y haga que las conexiones sean herméticas con las juntas de goma.
- Para montar la campana: continúe con el apartado 4.4.4.

4.4.2 Montaje en los soportes de pared⁷



Para montar los soportes de pared, véase el manual correspondiente.

Fig. 4.4

- Monte los soportes de pared.
- Monte la bisagra giratoria (C) en los soportes de pared (E) con los pernos de cabeza hexagonal y las arandelas. Asegúrese de que:
 - el orificio para pasar el cable (A) está situado en el lado de pared; y
 - el extremo largo de la clavija (B) está apuntando a la parte delantera, en línea con el orificio para pasar el cable (A)

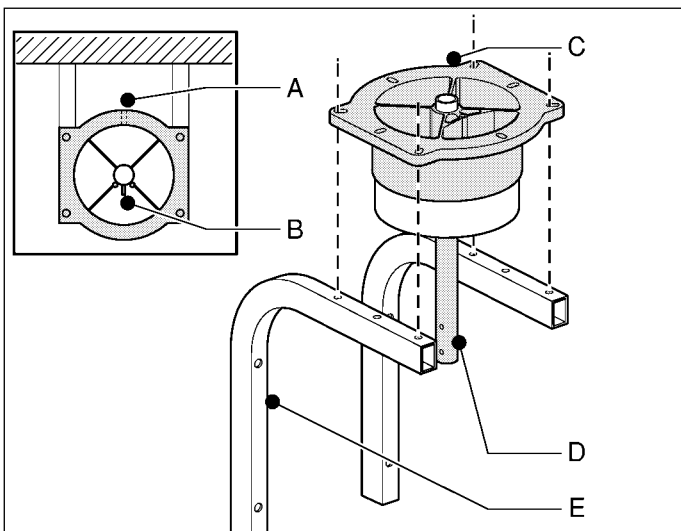


Fig. 4.4 Bisagra giratoria en los soportes de pared

Fig. 4.5

- Monte el adaptador colgante⁸ (D) en la varilla articulada (C) con los pernos y tuercas.
- Monte el resorte de soporte (F).
- Deslice la junta de goma (A) alrededor de la bisagra giratoria (B).
- Pliegue 2/3 de la junta.
- Coloque la manguera flexible⁹ (E) alrededor de la bisagra giratoria (B). Al menos un anillo metálico de la manguera deberá cubrir las cumbres de la bisagra giratoria.
- Despliegue la junta y colóquela sobre la manguera para que la conexión sea hermética.

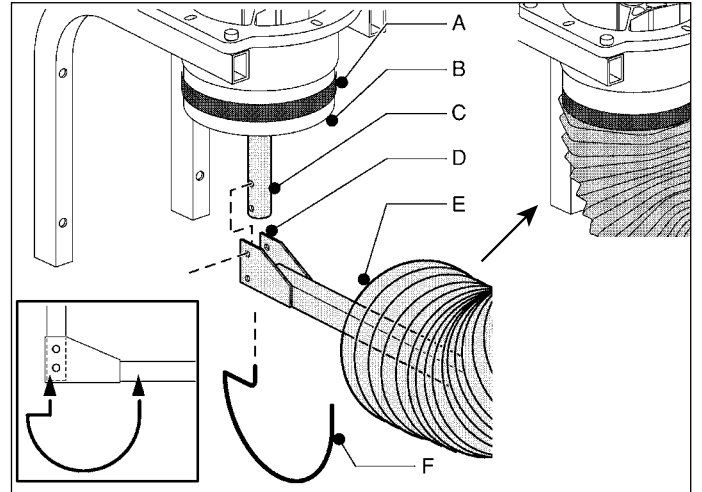


Fig. 4.5 Adaptador colgante en la varilla articulada

Fig. 4.6

- Deslice el tope final (D) sobre la bisagra (C) del brazo de aspiración y monte ambos sobre el adaptador colgante (B) con los pernos y tuercas. Para este fin, utilice los dos orificios de montaje indicados (A).

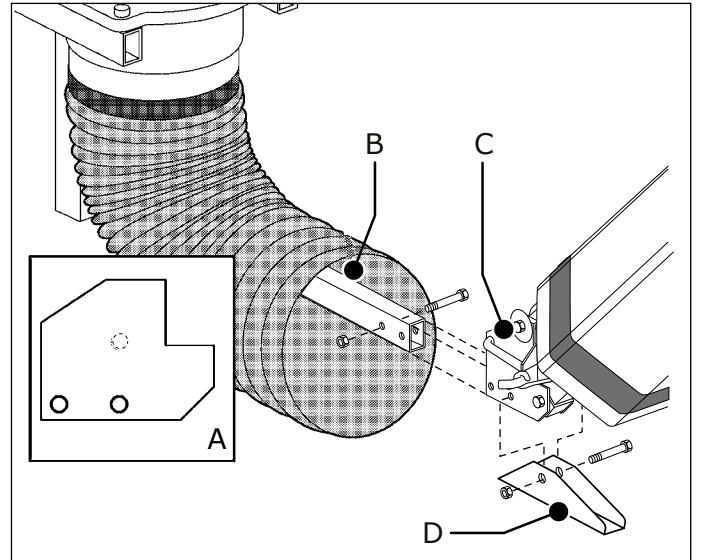


Fig. 4.6 Brazo en el adaptador colgante

En caso de que el brazo de aspiración esté provisto de una lámpara de trabajo (WL) o una lámpara de trabajo con dispositivo de arranque/pa- ro automático (WL-AST), ahora deberá conectar el cable alimentador (NCW-11). Para este fin, véase el manual correspondiente.

7. Modelo: LMB

8. Suministrada con soportes de pared (LMB)

9. Suministrada con soportes de pared (LMB)

Solo brazos LFA 3.1 y LFA 4.1:

Los brazos LFA 3.1 y LFA 4.1 se suministran con un resorte distanciador para proteger la manguera flexible. El resorte está acoplado a la bisagra central del brazo con un trozo de cinta.

Fig. 4.7

- Tome el resorte distanciador (A) y móntelo en la bisagra central (B).

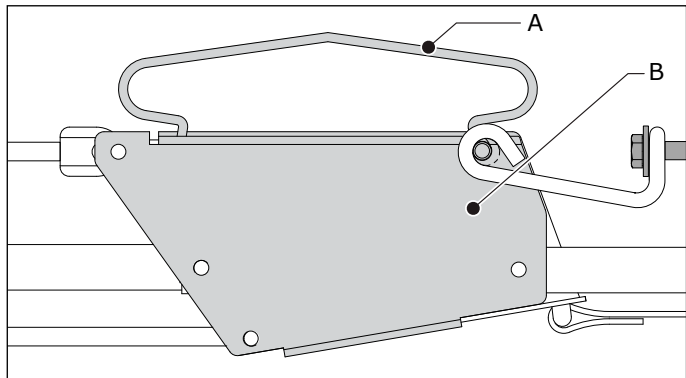


Fig. 4.7 Resorte distanciador

Todos los tipos de brazos:

- Monte las mangueras flexibles en las secciones del brazo y haga que las conexiones sean herméticas con las juntas de goma.
- Para montar la campana: continúe con el apartado 4.4.4.

4.4.3 Montaje en un brazo de extensión¹⁰



Para montar el brazo de extensión, véase el manual correspondiente.

Fig. 4.8

- Monte la bisagra giratoria (A) en los soportes de montaje (C) del brazo de extensión con los pernos de cabeza hexagonal y las arandelas. Asegúrese de que:
 - el orificio para pasar el cable (E) está situado en el lateral del brazo; y
 - el extremo largo de la clavija (D) está apuntando a la parte delantera, en línea con el orificio para pasar el cable (E)

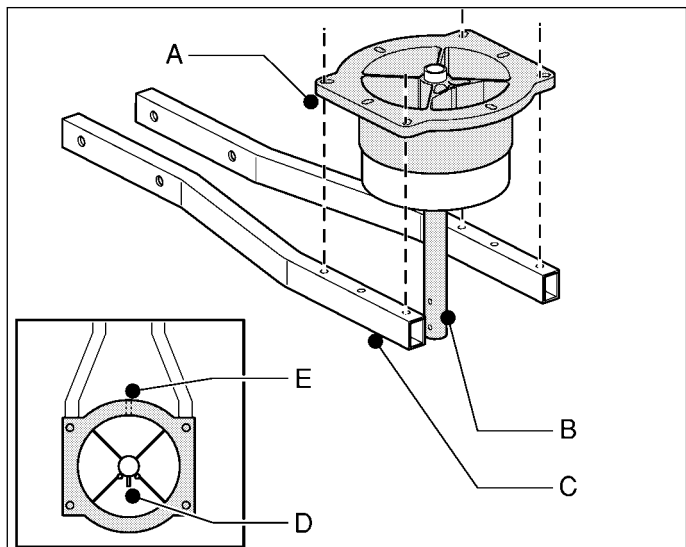


Fig. 4.8 Bisagra giratoria en el brazo

Para montar el brazo en la bisagra giratoria:

- continúe con las instrucciones de **Fig. 4.5** y posteriores

4.4.4 Montaje de la campana



¡ADVERTENCIA!

Deje la cinta alrededor de las dos secciones de brazo hasta que haya montado la campana.

Fig. 4.9

- Deslice la junta de goma sobre el extremo de la sección de brazo.
- Pliegue 2/3 de la junta.
- Coloque la manguera flexible y la otra junta (en ese orden) temporalmente sobre el extremo de la sección de brazo (lado de la campana).
- Monte la campana en la sección en U (A) con el perno y la tuerca.

En caso de que el brazo de aspiración esté provisto de una lámpara de trabajo (WL) o una lámpara de trabajo con dispositivo de arranque/paro automático (WL-AST), ahora deberá conectar el cable alimentador. Para este fin, véase el manual correspondiente.

- Deslice la manguera en la sección de brazo. Asegúrese de que al menos un anillo metálico de la manguera cubra las cumbreras del tubo.
- Deslice el otro lado de la manguera sobre el borde de la campana. Asegúrese de que al menos un anillo metálico de la manguera cubra las cumbreras de la campana.
- Utilice las juntas de goma para que las conexiones queden herméticas.

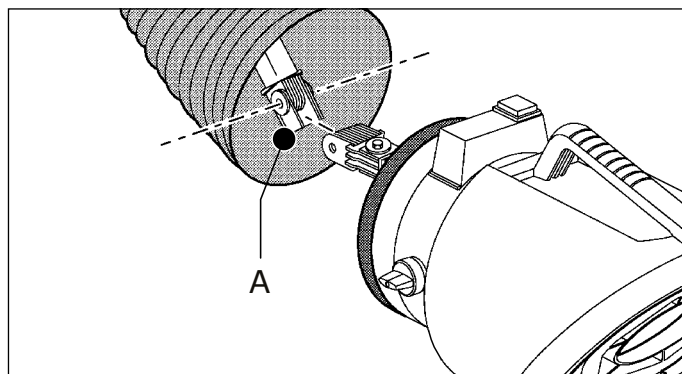


Fig. 4.9 Montaje de la campana

- Retire la cinta que conecta las dos secciones de brazo.
- Monte las mangueras flexibles en las secciones del brazo y haga que las conexiones sean herméticas con las juntas de goma.

5 USO



Equipo de protección individual (EPI)

Durante el uso, utilice EPI para evitar lesiones. Esto también será aplicable para personas que accedan a la zona de trabajo.

5.1 Controles

La campana del brazo está provista de un asa para un fácil posicionamiento y una válvula reguladora para regular el flujo de aire. Todo el movimiento del brazo se controla desde la campana.

10. Modelo: EC

Fig. 5.1

- A Válvula reguladora
- B Asa

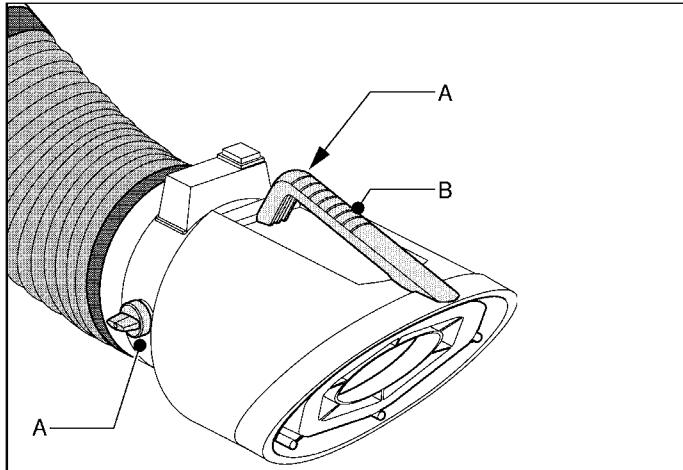


Fig. 5.1 Controles

5.2 Uso

Fig. 5.2

- Use el asa (véase Fig. 5.1B) para colocar la campana del brazo a 480 mm como máximo de la fuente de contaminación.
- Asegúrese de que la válvula reguladora (véase Fig. 5.1A) está abierta.
- Si la hay / se desea:
Encienda la lámpara de trabajo.
- Encienda el dispositivo de aspiración conectado^{11 12}.
- Empiece a soldar.
- Si lo desea, cierre parcialmente la válvula reguladora para ajustar el flujo de aire.
- Cuando cambie la posición de soldadura, mueva la campana a la posición correcta en relación con la soldadura.
- Apague el dispositivo de aspiración conectado unos 20 segundos después de terminar la soldadura.¹³

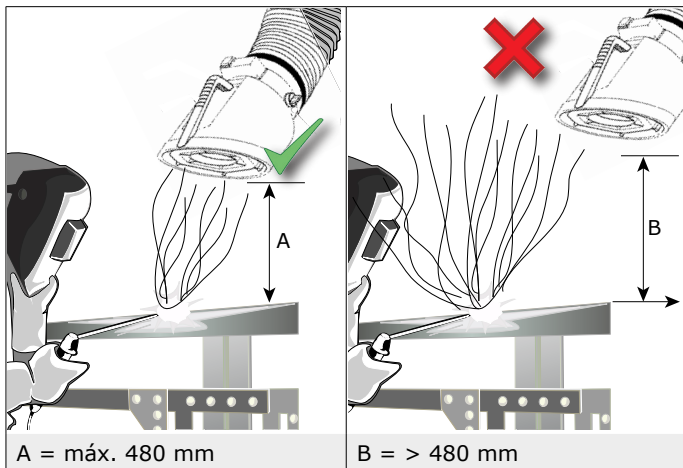


Fig. 5.2 Posición correcta de la campana

11. Como un aspirador móvil para humos de soldadura, un ventilador de aspiración o un sistema de aspiración
12. Si tiene un dispositivo de arranque/paro automático (WL-AST o WCS), el dispositivo de aspiración se pondrá en marcha automáticamente cuando empiece a soldar
13. Si tiene un dispositivo de arranque/paro automático (WL-AST o WCS), el dispositivo de aspiración se detendrá automáticamente después de un retraso de parada determinado

6 MANTENIMIENTO

6.1 Mantenimiento regular



El producto se ha diseñado para que funcione correctamente a largo plazo con un mantenimiento mínimo. No obstante, para que sea así, es necesario llevar a cabo regularmente una serie de tareas de mantenimiento y limpieza sencillas que se describen en este capítulo.



¡ADVERTENCIA!

El entretenimiento retrasado de los equipos puede provocar incendios.

Los intervalos de mantenimiento que se indican a continuación dependen de las condiciones específicas de entorno y trabajo. Por esta razón y de forma adicional a las tareas de mantenimiento regulares, se recomienda someter el equipo a una revisión completa al año. A estos efectos, diríjase a su proveedor.

Componente	Tarea	Frecuencia: cada X meses	
		X=3	X=6
General			
Exterior del brazo	Limpie con un detergente no agresivo	X	
Mangueras flexibles	Compruebe si hay grietas o daños. Sustitúyalas si es necesario		X
Interior del brazo	Límpielo a fondo		X
Válvula reguladora	Compruebe el funcionamiento		X
Bisagra de la campana	Compruebe el movimiento horizontal y vertical de la campana. Si es necesario, limpie la bisagra de la campana o ajuste la fricción; consulte el apartado 6.2.1		X
Bisagra giratoria	Lubrique el eje; consulte el apartado 6.3		X
Cables de acero	Compruebe si tiene desgaste		X
LFA 3.0 LFA 4.0			
Puntos de articulación	Compruebe y lubrique; véase Fig. IV (C) en la página 61		X
Bisagra central	Compruebe la fricción. Ajuste si es necesario; véase Fig. IV (A) en la página 61		X
LFA 3.1 LFA 4.1			
Puntos de articulación	Compruebe y lubrique; véase Fig. V (C) en la página 62		X
Cable de acero cerca de la rueda Balance	Compruebe y lubrique; véase Fig. V (B) en la página 62		X
Estructura de equilibrio	Compruebe el equilibrio del brazo de aspiración. Ajuste si es necesario; véase Fig. V (A) en la página 62		X

6.2 Sistema de balanza

Si el brazo de aspiración, o una parte del mismo, no se mantiene en la posición deseada, deberá ajustar la fricción o el sistema de balanza.

Para examinar y ajustar el sistema de balanza, haga lo siguiente.

Fig. 6.1

- Tire del brazo (incluida la campana) para ponerlo en una posición horizontal.
- Pliegue el brazo.
- Mueva el brazo y la campana arriba y abajo, a izquierda y derecha en posición recta y plegada.

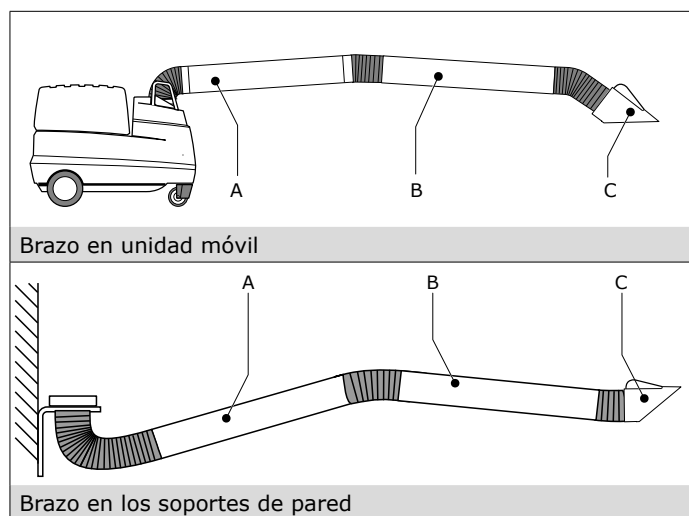


Fig. 6.1 Brazo en posición horizontal

	En caso de que pueda mover fácilmente todo el brazo (incl. la campana) y se mantenga en cualquier posición, el sistema de balanza estará ajustado correctamente.	
--	--	--

Para ajustar la campana de aspiración (C):

- continúe con el apartado **6.2.1**

Para ajustar la sección de brazo (lado de la campana) (B):

- continúe con el apartado **6.2.2**

Para ajustar la sección de brazo (lado de pared/unidad) (A):

- continúe con el apartado **6.2.3**

6.2.1 Bisagra de la campana

Fricción demasiado alta

Es difícil mover la campana, es posible que la bisagra de la campana esté contaminada. En ese caso, haga lo siguiente.

- Desmonte la manguera flexible.
- Corte las bridas sujetacables y baje la tapa de protección de goma¹⁴.
- Limpie la bisagra de la campana.
- Ajuste la fricción (véanse las instrucciones de Fig. 6.2).
- Monte la tapa de protección sobre la bisagra de la campana y acóplela con dos bridas sujetacables nuevas.
- Monte la manguera flexible. Asegúrese de que la conexión es hermética.

Fricción demasiado baja

Si la campana no se mantiene en la posición deseada, deberá apretar la fricción.

Fig. 6.2

- Desmonte la manguera flexible.
- Corte las bridas sujetacables y baje la tapa de protección de goma.

- Determine qué parte de la bisagra hay que ajustar:
 - movimiento vertical (A); o
 - movimiento horizontal (B)
- Apriete el perno y la tuerca correspondientes.
- Monte la tapa de protección sobre la bisagra de la campana y acóplela con dos bridas sujetacables.
- Monte la manguera flexible. Asegúrese de que la conexión es hermética.

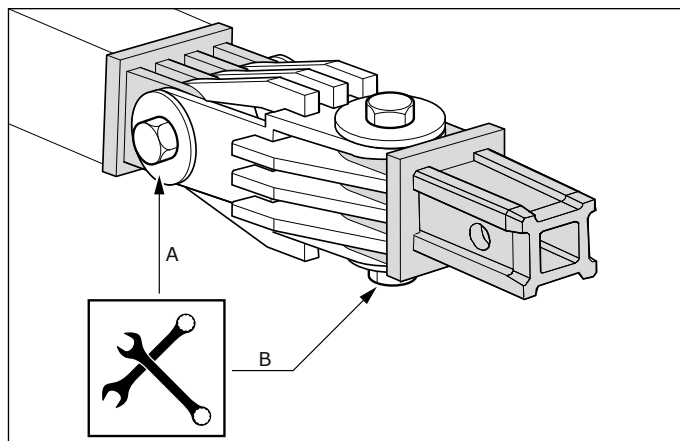


Fig. 6.2 Bisagra de la campana

6.2.2 Sección de brazo (lado de la campana)

Para ajustar el equilibrio, deberá desconectar la manguera flexible de la bisagra central. Cuando se haya terminado, monte la manguera y haga que las conexiones sean herméticas con las juntas de goma.

Brazos LFA 3.0 y LFA 4.0

Fig. 6.3 (véase también Fig. 6.1B)

- Tire del brazo (incluida la campana) para ponerlo en una posición horizontal.

Si la sección de brazo se cae:

- Gire el perno M8 (A) a la derecha para aumentar la fricción.

Si la sección de brazo es difícil de mover hacia abajo:

- Gire el perno M8 (A) a la izquierda para reducir la fricción.

Si la sección de brazo es difícil de mover hacia arriba:

- Gire el perno M8 (B) a la izquierda hasta que pueda mover hacia arriba la sección de brazo con facilidad.

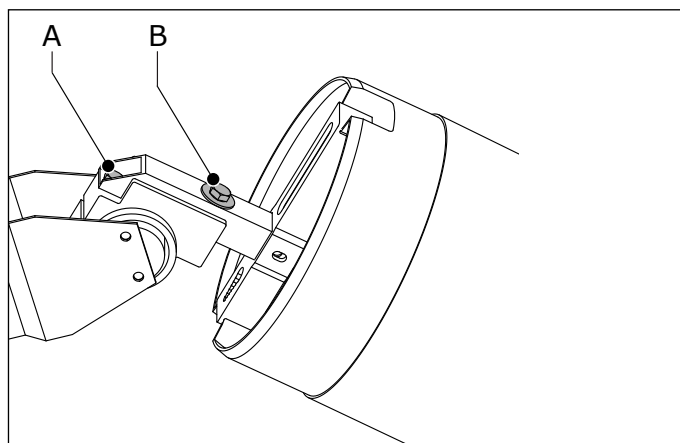


Fig. 6.3 Bisagra central – LFA 3.0 | LFA 4.0

14. Si la tapa de protección de goma está dañada, tendrá que sustituirla

Brazos LFA 3.1 y LFA 4.1

Fig. 6.4 (véase también Fig. 6.1B)

- Tire del brazo (incluida la campana) para ponerlo en una posición horizontal.

Si la sección de brazo se cae:

- Apriete el perno (A) para aumentar la tensión del resorte.

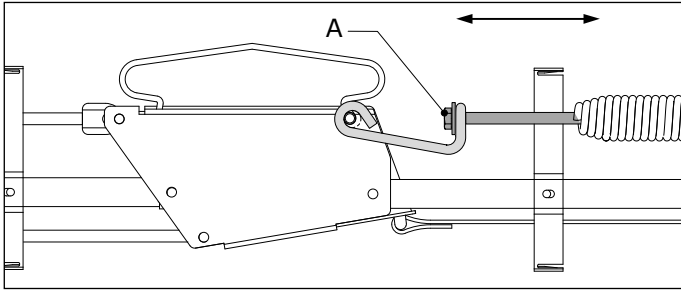


Fig. 6.4 Bisagra central – LFA 3.1 | LFA 4.1

6.2.3 Sección de brazo (lado de pared/unidad)

Para ajustar el equilibrio, deberá desconectar la manguera flexible de la bisagra en el lado de la pared/unidad. Cuando se haya terminado, monte la manguera y haga que las conexiones sean herméticas con las juntas de goma.

Fig. 6.5 (véase también Fig. 6.1A)

- Tire del brazo (incluida la campana) para ponerlo en una posición horizontal.

Si todo el brazo se cae:

- Apriete el perno (A) para aumentar la tensión del resorte. Asegúrese de que el resorte (B) no se gira mientras aprieta el perno.

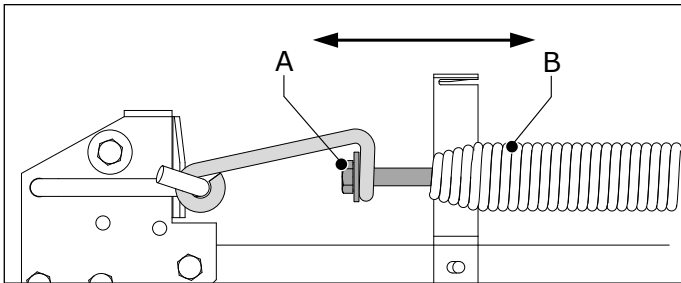


Fig. 6.5 Bisagra del lado de pared/unidad

6.3 Lubricación de la bisagra giratoria

Para asegurarse de que la bisagra giratoria pueda girar libremente, deberá lubricar regularmente el eje.

Fig. 6.6

- (B) Aplique grasa en el engrasador con una pistola de engrase.

Tipo de grasa recomendado: grasa para cojinetes estándar EP2

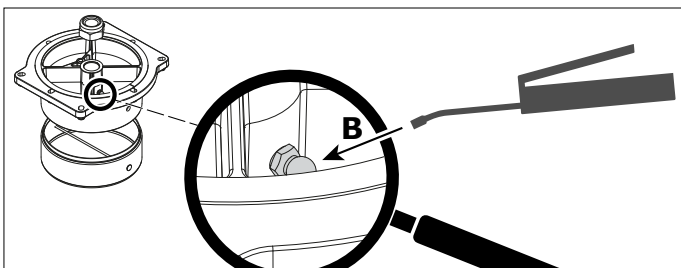


Fig. 6.6 Lubricación de la bisagra giratoria

7 SUBSANACIÓN DE FALLOS

Si el producto no funcionase o no lo hiciera de la forma correcta, podrá subsanar el problema Ud. mismo con ayuda de la siguiente tabla de comprobación. En caso contrario, diríjase a su proveedor.



¡ADVERTENCIA!

Obedezca las normativas de seguridad que se indican en el capítulo 3 cuando lleve a cabo las siguientes actividades.

Señal	Problema	Posible causa	Solución
General			
La capacidad de aspiración es insuficiente	Contaminación del lugar de trabajo	La válvula reguladora está cerrada	Abra la válvula reguladora
		Manguera(s) flexible(s) rotas o sueltas	Sustituya la(s) manguera(s) flexible(s) o móntelas correctamente
		Junta(s) de goma rotas o montadas incorrectamente	Sustituya las junta(s) de goma rotas o móntelas correctamente
		El aire exterior se ha aspirado en el sistema del conducto conectado	Haga que el sistema del conducto sea hermético
Campana de aspiración no equilibrada	La campana no se mantiene en la posición deseada	No hay suficiente fricción	Ajuste la fricción de la bisagra de la campana; consulte el apartado 6.2.1
	No puede mover la campana en la posición deseada	Demasiada fricción	
Todo el brazo (ambas secciones) se cae	El brazo no se mantiene en la posición deseada	Tensión del resorte demasiado baja	Aumente la tensión del resorte de la bisagra en el lado de pared/unidad; véase apartado 6.2.3
LFA 3.0 LFA 4.0			
El brazo de aspiración rechina y chirría	El brazo no se mueve con suavidad	Insuficiente lubricación	Lubrique los puntos de articulación; véase Fig. IV (C) en la página 61
Problema de movimiento del lado de campana del brazo	Fricción en la bisagra central	No hay suficiente fricción debido al envejecimiento	Ajuste la fricción de la bisagra central; consulte el apartado 6.2.2 (Brazos LFA 3.0 y LFA 4.0)
		Demasiada fricción	
		Demasiada fricción debido a contaminación	Limpie el mecanismo de fricción en la bisagra central

Señal	Problema	Posible causa	Solución
LFA 3.1 LFA 4.1			
El brazo de aspiración rechina y chirría	El brazo no se mueve con suavidad; desgaste excesivo de las piezas	Insuficiente lubricación	Lubrique los puntos de articulación; véase Fig. V (C) en la página 62
			Lubrique el cable de acero cerca de la rueda Balance; véase Fig. V (B) en la página 62
El lado de campana del brazo se cae	El brazo no se mantiene en la posición deseada	Tensión del resorte demasiado baja	Aumente la tensión del resorte; véase apartado 6.2.2 (Brazos LFA 3.1 y LFA 4.1)

8 PIEZAS DE RECAMBIO

Las siguientes piezas de recambio están disponibles para los productos;



8.1 LFA 3.0 | LFA 4.0

Véase la vista de despiece Fig. VI en la página 63 y la lista de piezas de recambio en la página 64

8.2 LFA 3.1 | LFA 4.1

Véase la vista de despiece Fig. VII en la página 65 y la lista de piezas de recambio en la página 66

9 ELIMINACIÓN

Cuando el producto llegue al final de su vida útil, deséchelo conforme a las leyes o directrices locales adecuadas.



PREFAZIONE

Utilizzo del manuale

Questo manuale è concepito per essere usato come opera di riferimento per utilizzatori professionali, competenti ed autorizzati che siano in grado di installare in sicurezza, utilizzare, mantenere e riparare il prodotto menzionato nella pagina di copertina di questo documento.

Pittogrammi e simboli

In questo manuale sono riprodotti i seguenti pittogrammi e simboli:

	CONSIGLIO Suggerimenti e raccomandazioni per semplificare la realizzazione del lavoro e delle attività.
	ATTENZIONE Un'osservazione con informazioni supplementari per l'utilizzatore. Un'osservazione che richiama l'attenzione dell'utilizzatore su possibili problemi.
	ATTENZIONE! Procedure che se non attuate con la necessaria cura potrebbero danneggiare il prodotto, l'officina o l'ambiente.
	AVVERTENZA! Procedure che se non attuate con la necessaria cura potrebbero danneggiare il prodotto o causare danni gravi alle persone.
	AVVERTENZA! Pericolo d'incendio! Avvertenza importante per prevenire la formazione di incendi.
	AVVERTENZA! Pericolo di esplosione! Avviso importante per la prevenzione di esplosioni.
	Dispositivi di protezione personale (DPI) Indica che è necessario utilizzare respiratori durante i lavori di riparazione e manutenzione, così come durante le fasi di collaudo operativo. Si raccomanda l'uso di una semimaschera come da norma EN 149:2001 + A1:2009, classe FFP3 (Direttiva 89/686/EEC).
	Dispositivi di protezione personale (DPI) Indica che è necessario indossare guanti protettivi durante i lavori di riparazione e manutenzione.

Indicatori di testo

Gli elenchi indicati con "-" (trattino) riguardano l'enumerazione.

Gli elenchi indicati con "•" (puntino) riguardano i passaggi da eseguire.

1 INTRODUZIONE

1.1 Identificazione del prodotto

La targhetta d'identificazione contiene, tra l'altro, i seguenti dati:

- nome prodotto
- numero di serie



1.2 Descrizione generale

Il modello LFA è un braccio aspirante flessibile dotato di bocchetta rotante *RotaHood* girevole a 360°. La bocchetta è dotata di valvola a farfalla e deflettore di aspirazione focalizzato che convoglia l'aria al suo interno.

Ci sono due tipi di bracci:

1.2.1 LFA 3.0 | LFA 4.0

Questi bracci sono dotati di sistema di frizione avanzato *DeBlock* per un posizionamento del braccio agevole e semplificato.

1.2.2 LFA 3.1 | LFA 4.1

Questi bracci sono dotati di sistema di bilanciamento a molla *Balance* per un posizionamento del braccio ultra-agevole e ultra-semplificato.

1.3 Opzioni e accessori


Per una maggiore praticità d'uso è possibile selezionare uno dei seguenti accessori:

- WL | Lampadina
- WL-AST | Lampadina + interruttore di avvio/arresto automatica
- WCS | Sensore del cavo de saldatura

1.4 Combinazione di prodotti

I bracci LFA sono adatti per sistemi mobili e fissi per l'aspirazione di fumi di saldatura.



 Fare riferimento a Fig. I a pagina 59 per dettagli.

Sono inoltre adatti all'uso in sistemi di aspirazione centralizzata dei fumi¹.

1.5 Specifiche tecniche



Dimensioni fisiche e caratteristiche	
Lunghezza del braccio:	
- LFA 3.0 LFA 3.1	- 3 m
- LFA 4.0 LFA 4.1	- 4 m
Diametro	Ø 203 mm
Materiale:	
- tubi e bocchetta	- copolimero di polipropilene con stabilizzazione UV
- tubi flessibili	- PVC rinforzato con fibra di vetro + molle metalliche
Peso:	
- LFA 3.0 LFA 3.1	- 15 kg
- LFA 4.0 LFA 4.1	- 17 kg
Prestazioni	
Flusso d'aria consigliato	max. 1600 m ³ /h

1.6 Raggio di lavoro

Consultare Fig. II a pagina 60.

1.7 Perdita di pressione

Consultare Fig. III a pagina 60.

1.8 Condizioni ambientali e di processo

Temperatura di processo:	
- min.	5 °C
- nom.	20 °C
- max.	45 °C
Max. umidità relativa	80%
Uso all'esterno consentito	no

1. Impianti dotati di condotto di aspirazione centrale, con o senza filtrazione

2 DESCRIZIONE DEL PRODOTTO

2.1 Componenti

Il prodotto è composto dai seguenti componenti ed elementi principali:

Fig. 2.1

- A Flangia di collegamento con cerniera rotante
- B Collare di gomma
- C Tubo flessibile
- D Sezione del braccio (lato parete/unità)
- E Cerniera intermedia
- F Bocchetta di aspirazione
- G Maniglia
- H Manopola rotante per il controllo della valvola a farfalla
- I Valvola a farfalla
- J Cerniera della bocchetta
- K Sezione del braccio (lato bocchetta)

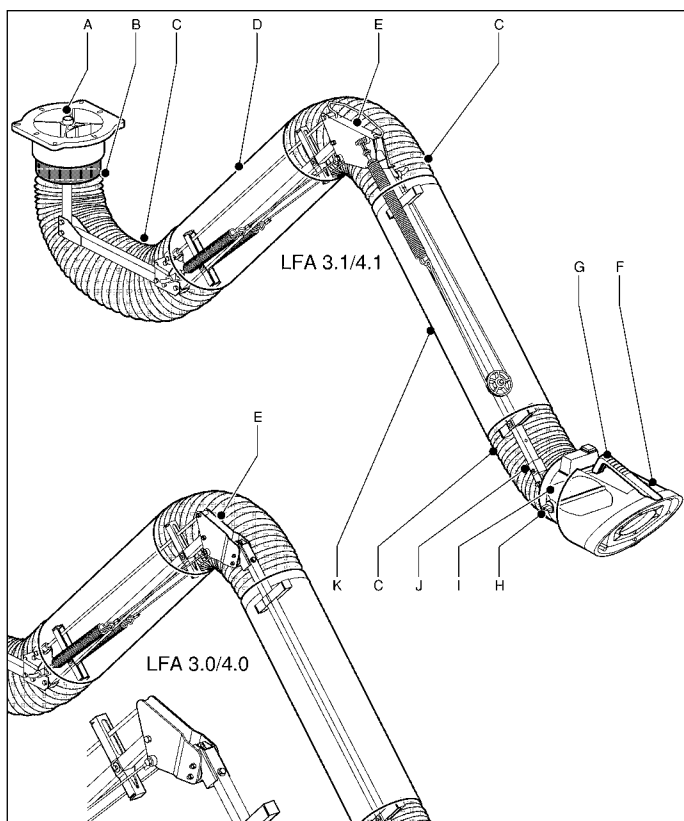


Fig. 2.1 Componenti ed elementi principali

2.2 Funzionamento

2.2.1 Uso mobile

I fumi di saldatura vengono aspirati attraverso la bocchetta del braccio aspirante dal ventilatore di un aspiratore mobile². Il braccio scarica l'aria inquinata nell'unità filtrante.

Il braccio è dotato di una valvola a farfalla per regolare il flusso d'aria.

2.2.2 Uso stazionario

I fumi di saldatura vengono estratti dalla bocchetta del braccio aspirante tramite un ventilatore singolo o centrale. Il braccio scarica l'aria inquinata su un condotto di aspirazione dotato di un'unità filtrante o direttamente nell'atmosfera.

Il braccio è dotato di una valvola a farfalla per regolare il flusso d'aria.

2. Tipo: Mobiflex 200-M, 400-MS o 300-E

3 ISTRUZIONI PER LA SICUREZZA

Generale

Il fabbricante declina ogni responsabilità in caso di danni al prodotto o lesioni alle persone causati dalla mancata osservanza delle istruzioni per la sicurezza contenute in questo manuale o per negligenza durante l'installazione, l'uso, la manutenzione e la riparazione del prodotto menzionato in copertina e di ogni corrispondente accessorio. Condizioni di lavoro specifiche o accessori impiegati possono richiedere istruzioni per la sicurezza supplementari. Contattate immediatamente il Vs. fornitore se individuate un potenziale rischio nell'uso del prodotto.

L'utilizzatore del prodotto è sempre pienamente responsabile nell'osservanza delle norme e le regolamentazioni di sicurezza locali. Osservate tutte le regole di sicurezza ed istruzioni che si applicano.

Manuale d'uso

- Chiunque lavori su o con questo prodotto deve avere familiarità con i contenuti di questo manuale e osservare strettamente tutte le istruzioni ed indicazioni fornite. Il personale deve leggere il manuale ed osservare tutte le istruzioni e le informazioni in esso contenute.
- Non cambiate mai la sequenza delle operazioni da effettuare.
- Mantenete sempre il manuale insieme con il prodotto.

Operatori

- L'uso del prodotto è riservato esclusivamente ad operatori istruiti ed autorizzati in questo senso. Personale impiegato a tempo determinato o in formazione, non deve utilizzare il prodotto se non sotto la supervisione e responsabilità di personale esperto.
- Durante il lavoro è necessario essere sempre vigili e mantenere alta la propria attenzione. Non usate il prodotto quando siete stanchi o sotto l'influenza di droghe, alcool o medicinali.
- La macchina non deve essere utilizzata da bambini o persone con capacità fisiche, sensoriali o mentali ridotte, senza esperienza e conoscenza, a meno che non abbiano ricevuto istruzione o sotto supervisione.
- Controllare che i bambini non giochino con la macchina.

Impiego conforme alla destinazione d'uso³

Il prodotto è stato progettato esclusivamente per aspirare i fumi e le sostanze generate durante le più comuni operazioni di saldatura e taglio. L'impiego del prodotto per altri scopi è considerato contrario al suo uso previsto. Il produttore non si assume alcuna responsabilità per eventuali danni o lesioni derivanti da tale uso improprio. Il prodotto è stato realizzato in conformità con le normative più aggiornate e i regolamenti di sicurezza riconosciuti. Usare questo prodotto solo se in condizioni tecnicamente perfette, in conformità al suo uso previsto e nel rispetto delle indicazioni spiegate nel manuale di istruzioni.

Specifiche tecniche

Non cambiare le specifiche fornite nel presente manuale.

Modifiche

E' vietato modificare il prodotto o parti dello stesso.

3. "Destinazione d'uso" come stabilito nella norma EN-ISO 12100-1 è l'utilizzo per il quale il prodotto tecnico è appropriato secondo le specifiche del fabbricante - includendo le indicazioni contenute nella brochure di vendita. In caso di dubbio, l'uso che si può dedurre dalla struttura, dal modello e dalla funzione del prodotto è considerato il normale utilizzo dello stesso. L'impiego della macchina entro i limiti del suo uso previsto riguarda anche il rispetto delle indicazioni riportate nel manuale di istruzioni.


Combinazione di prodotti

Se il prodotto viene usato in combinazione con altri prodotti o macchinari, troveranno applicazione anche le istruzioni di sicurezza riportate nella documentazione di tali prodotti o macchinari.

Installazione

- L'installazione del prodotto è riservata esclusivamente a personale tecnico istruito ed autorizzato in questo senso.
- Durante l'installazione utilizzare sempre dispositivi di protezione individuale (DPI) per evitare lesioni. Ciò vale anche per le persone che entrano nell'area di lavoro.
- Quando si lavora ad un'altezza superiore a 2 metri utilizzare l'attrezzatura da arrampicata e le protezioni opportune (potrebbero essere applicate restrizioni locali).
- Non installate mai il prodotto davanti ad entrate, uscite o passaggi che devono essere usati in caso di emergenza.
- Fare attenzione ai tubi del gas e dell'acqua e ai cavi elettrici.
- Assicuratevi che il luogo di lavoro sia ben illuminato.
- Durante il lavoro è necessario essere sempre vigili e mantenere alta la propria attenzione. Non installate il prodotto quando siete stanchi o sotto l'influenza di droghe, alcool o medicinali.
- Aria contenente particelle di sostanze come cromo, nichel, berillio, cadmio, piombo ecc., non devono mai essere riciclate all'interno del locale. Quest'aria deve essere sempre portata fuori dall'area di lavoro.

Uso




	AVVERTENZA! Pericolo d'incendio! Non usare mai il prodotto per: <ul style="list-style-type: none">- lucidatura in combinazione con molatura, saldatura o qualsiasi altra applicazione che generi scintille (le fibre di dischi lamellari abrasivi o di lucidatura sono altamente infiammabili e rappresentano un elevato rischio di incendio del filtro se esposte a scintille)- sgorbiatura ad arco- aspirazione di particelle solide o liquide che siano infiammabili, ardenti o incandescenti- aspirazione di fumi aggressivi (come l'acido cloridrico) o particelle taglienti- aspirazione di fumi generati da saldatura su materiali trattati con primer- aspirazione di sigarette, sigari, tessuti impregnati di olio, residui infiammabili, oggetti e acidi
	AVVERTENZA! Pericolo di esplosioni! Non utilizzare il prodotto per applicazioni a rischio d'esplosione, come ad esempio: <ul style="list-style-type: none">- taglio laser alluminio- molature su alluminio e magnesio- ambienti esplosivi o sostanze/gas esplosivi
	AVVERTENZA! Non usare mai il prodotto per: <ul style="list-style-type: none">- gas ad alta temperatura (oltre i 70°C di esposizione continua)- fiammeggiature- vapori oleosi- vapori oleosi pesanti nei fumi di saldatura- aspirazione di cemento, segatura, polveri di legno ecc.

- Ispezionate il prodotto verificate che non sia danneggiato. Controllate il funzionamento dei dispositivi di sicurezza.
- Durante l'uso utilizzare sempre dispositivi di protezione individuale (DPI) per evitare lesioni personali. Ciò vale anche per le persone che entrano nell'area di lavoro durante l'installazione.

- Controllate l'ambiente di lavoro. Non consentite a persone non autorizzate l'accesso all'ambiente di lavoro.
- Proteggete il prodotto contro acqua ed umidità.
- Assicuratevi che il locale sia sempre sufficientemente aerato, soprattutto in caso di spazi limitati.
- Assicuratevi che in officina, in prossimità del prodotto, siano dislocati sufficienti estintori approvati (adatti per classi di incendio ABC).

Servizio, manutenzione e riparazione

- Osservate il calendario di manutenzione programmata indicato in questo manuale. Un ritardo nella manutenzione può portare ad elevati costi di riparazione e revisione e far decadere la garanzia.
- Utilizzare sempre dispositivi di protezione individuale (DPI) per evitare lesioni. Ciò vale anche per le persone che entrano nell'area di lavoro.
- Assicuratevi che il locale sia sempre sufficientemente aerato.
- Usate sempre attrezzi, componenti, materiali, lubrificanti e servizi tecnici che siano approvati dal fabbricante. Non usate mai utensili usurati e non lasciate mai alcun attrezzo nel o sul prodotto.
- I dispositivi di sicurezza che sono stati rimossi per servizio, manutenzione o riparazione, devono essere reinstallati immediatamente dopo aver terminato detti interventi e dovete accertarvi del loro buon funzionamento.
- Quando si lavora ad un'altezza superiore a 2 metri utilizzare l'attrezzatura da arrampicata e le protezioni opportune (potrebbero essere applicate restrizioni locali).
- In seguito pulire l'area.

	ATTENZIONE Servizio, manutenzione e riparazione devono essere eseguiti soltanto secondo le direttive TRGS 560 e TRGS 528 da personale autorizzato, qualificato ed addestrato con le procedure appropriate.
 	Dispositivi di protezione personale (DPI) Indossare sempre la maschera protettiva i guanti di protezione durante le operazioni di servizio, manutenzione e riparazione.

4 INSTALLAZIONE

4.1 Strumenti e necessità

Per installare il prodotto sono necessari gli strumenti e i requisiti seguenti:

- attrezzi di base



4.2 Da approvvigionare in loco

Se si installa il braccio aspirante su staffe a muro, potrebbero essere necessarie ulteriori attrezzature per il montaggio in base al tipo di parete. Fare riferimento al manuale delle staffe a muro per le istruzioni di montaggio.



4.3 Disimballaggio

Controllate se il prodotto è completo. L'imballo dovrebbe contenere:

- cerniera rotante (completa)
- 2 sezioni del braccio (assemblate) con guarnizioni in gomma
- collare di gomma (2)
- bocchetta di aspirazione
- tubo flessibile (per cerniera della bocchetta)
- fermo di fine corsa⁴
- materiale di fissaggio



4. Se si installa il braccio su un'unità mobile, il fermo di fine corsa è ridondante

Se alcune parti mancano o sono danneggiate, contattare il proprio fornitore.


I tubi flessibili vengono fissati tramite cinghia. Prima di procedere con l'installazione è necessario tagliare le cinghie.

4.4 Possibilità di montaggio

È possibile installare il braccio aspirante in tre modi diversi.

Per montaggio su:

- un'unità mobile (estrattore per fumi di saldatura tipo Mobiflex 200-M, 400-MS o 300-E), procedere con il paragrafo 4.4.1
- staffe a muro (tipo LMB), procedere con il paragrafo 4.4.2
- un supporto prolunga (tipo EC), procedere con il paragrafo 4.4.3

	AVVERTIMENTO Lasciare il nastro intorno alle due sezioni del braccio finché questo non è stato installato completamente, inclusa la bocchetta.
--	--

4.4.1 Montaggio su una unità mobile⁵

Fig. 4.1

- Allentare i quattro bulloni di fissaggio sulla copertura del pannello di controllo.
- Rimuovere la copertura.
- Installare la cerniera rotante (C) sull'unità mobile utilizzando i bulloni a testa esagonale e le rondelle. Accertarsi che:
 - il foro passacavo (B) è situato nella parte anteriore dell'unità; e
 - l'estremità lunga del perno (A) è rivolta verso la parte posteriore, in linea con il foro passacavo (B)

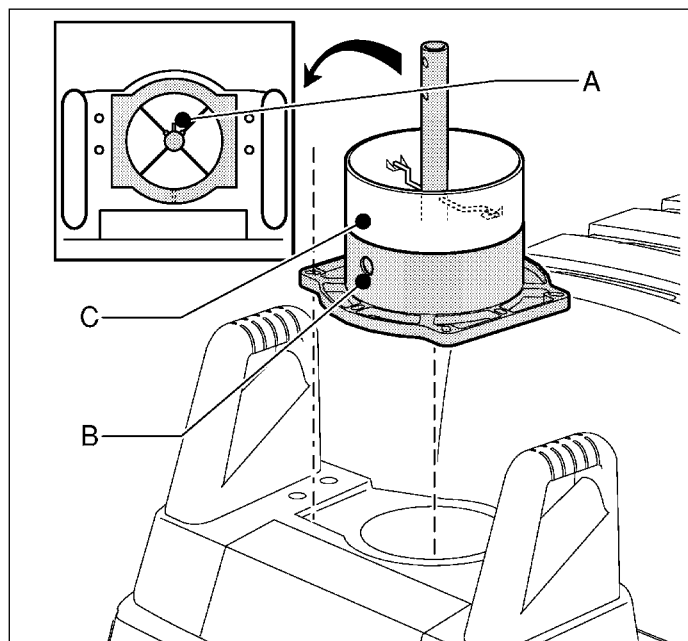


Fig. 4.1 Cerniera rotante su unità mobile

Fig. 4.2

- Far scorrere la guarnizione di gomma (B) attorno alla cerniera rotante (C).
- Ripiegare i 2/3 della guarnizione.
- Posizionare il tubo flessibile⁶ intorno alla cerniera rotante (C). Verificare che almeno un anello metallico del tubo flessibile copra le creste della cerniera rotante.

5. Tipo: Mobiflex 200-M, 400-MS o 300-E

6. Fornito in dotazione con il sistema di aspirazione di fumi di saldatura mobile

- Distendere la guarnizione e posicionarla sul tubo flessibile per rendere il collegamento ermetico.
- Installare la copertura. Serrare accuratamente i quattro bulloni di fissaggio.

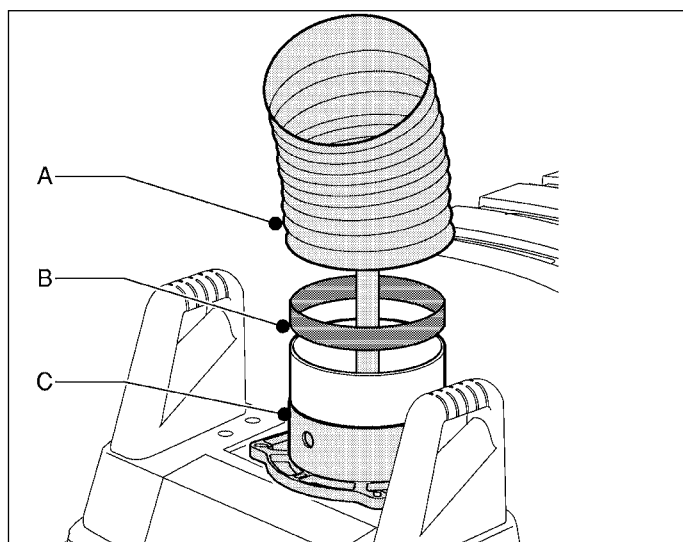


Fig. 4.2 Tubo flessibile

Fig. 4.3

- Installare la cerniera del braccio aspirante (B) sull'asta del perno (C) dell'unità mobile utilizzando i bulloni e i dadi. A tal fine, utilizzare i due fori di montaggio indicati (A).

Se il braccio aspirante è dotato di una lampadina (WL) o di una lampadina con avvio/arresto automatico (WL-AST), è ora necessario collegare il cavo di alimentazione (NCW-4). A tal fine, consultare il manuale corrispondente.

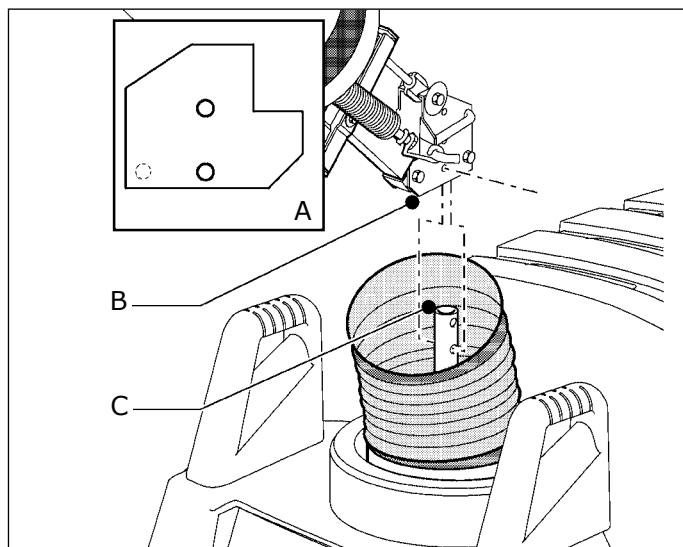



Fig. 4.3 Braccio sull'asta del perno

- Installare i tubi flessibili sulle sezioni del braccio e rendere ermetici i collegamenti usando le guarnizioni di gomma.
- Per il montaggio della bocchetta, procedere con il paragrafo 4.4.4.

4.4.2 Montaggio su staffe a muro⁷

	Per il montaggio delle staffe a muro, consultare il relativo manuale.
---	---

7. Tipo: LMB

Fig. 4.4

- Installare le staffe a muro.
- Installare la cerniera rotante (C) sulle staffe a muro (E) con i bulloni a testa esagonale e le rondelle. Accertarsi che:
 - il foro passacavo (A) è situato sul lato a parete; e
 - l'estremità lunga del perno (B) è rivolta verso la parte anteriore, in linea con il foro passacavo (A)

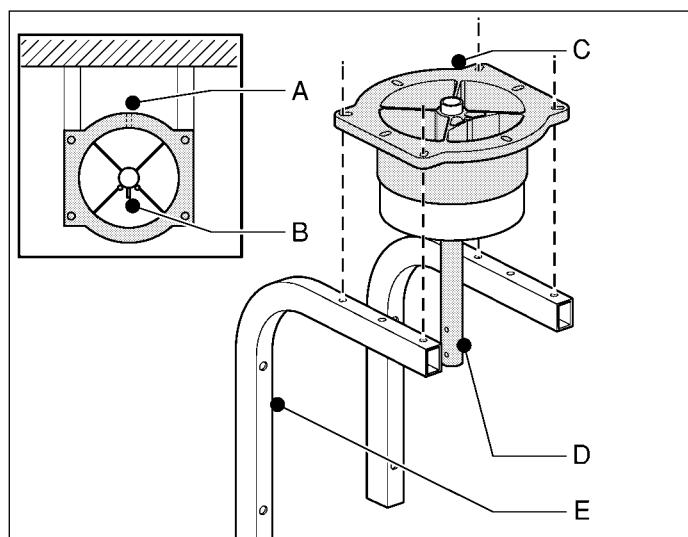


Fig. 4.4 Cerniera rotante su staffe a muro

Fig. 4.5

- Installare l'adattatore di sospensione⁸ (D) sull'asta del perno (C) utilizzando i bulloni e i dadi.
- Installare la staffa a molla (F).
- Far scorrere la guarnizione di gomma (A) attorno alla cerniera rotante (B).
- Ripiegare i 2/3 della guarnizione.
- Posizionare il tubo flessibile⁹ (E) intorno alla cerniera rotante (B). È necessario che almeno un anello metallico del tubo flessibile copra le creste della cerniera rotante.
- Distendere la guarnizione e posizionarla sul tubo flessibile per rendere il collegamento ermetico.

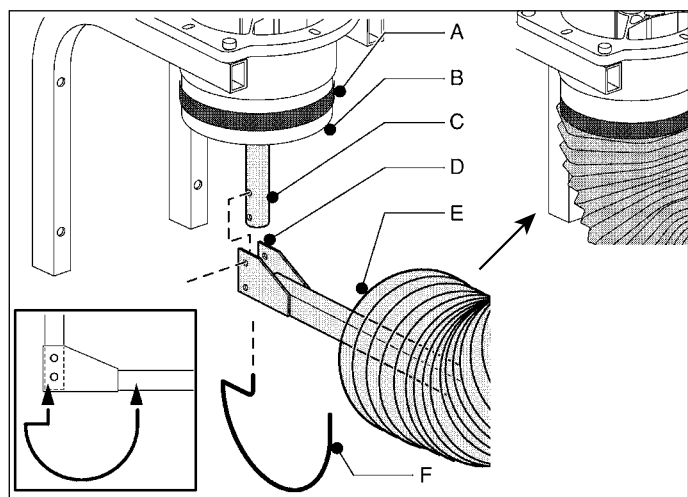


Fig. 4.5 Adattatore di sospensione su asta del perno

Fig. 4.6

- Far scorrere il fermo di fine corsa (D) sulla cerniera (C) del braccio aspirante, quindi installarle entrambe sull'adattatore di sospensione (B) utilizzando i bulloni e i dadi. A tal fine, utilizzare i due fori di montaggio indicati (A).

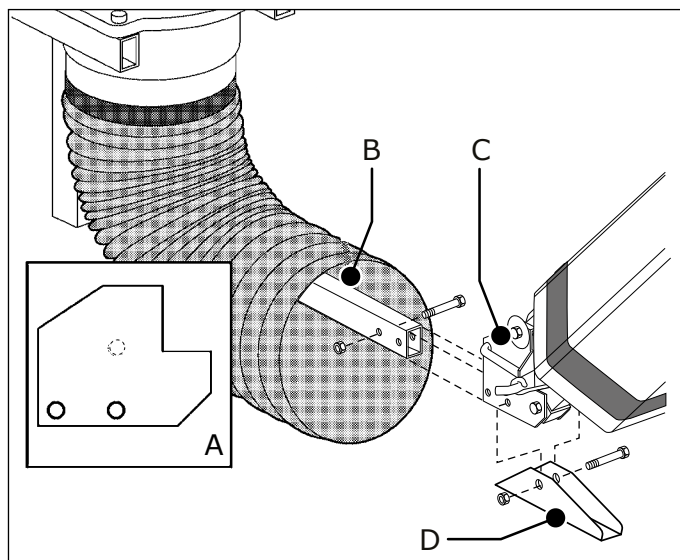


Fig. 4.6 Braccio su adattatore di sospensione

Se il braccio aspirante è dotato di una lampadina (WL) o di una lampadina con avvio/arresto automatico (WL-AST), è ora necessario collegare il cavo di alimentazione (NCW-11). A tal fine, consultare il manuale corrispondente.

Solo bracci LFA 3.1 e LFA 4.1

I bracci LFA 3.1 e LFA 4.1 sono dotati di molla distanziatrice per la protezione del tubo flessibile. La molla è attaccata alla cerniera centrale del braccio con un pezzo di nastro.

Fig. 4.7

- Prendere la molla distanziatrice (A) ed installarla sulla cerniera centrale (B).

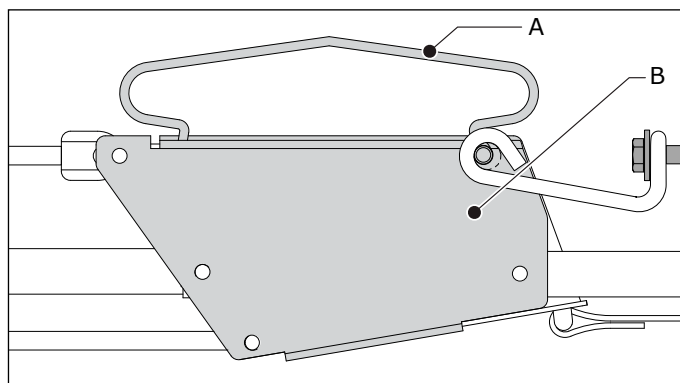


Fig. 4.7 Molla distanziatrice

Tutti i tipi di braccio:

- Installare i tubi flessibili sulle sezioni del braccio e rendere ermetici i collegamenti usando le guarnizioni di gomma.
- Per il montaggio della bocchetta, procedere con il paragrafo 4.4.4.

4.4.3 Montaggio su un supporto prolunga¹⁰



Per il montaggio del supporto prolunga, consultare il relativo manuale.

8. In dotazione con le staffe a muro (LMB).

9. In dotazione con le staffe a muro (LMB).

10. Tipo: EC

Fig. 4.8

- Installare la cerniera rotante (A) sulle staffe di montaggio (C) del supporto prolunga utilizzando i bulloni a testa esagonale e le rondelle. Accertarsi che:
 - il foro passacavo (E) è situato a lato del supporto prolunga; e
 - l'estremità lunga del perno (D) è rivolta verso la parte anteriore, in linea con il foro passacavo (E)

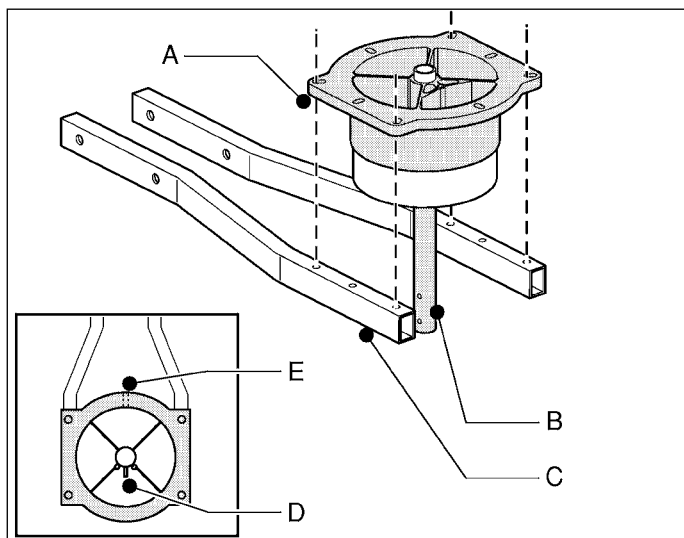


Fig. 4.8 Cerniera rotante su supporto prolunga

Per installare il braccio sulla cerniera rotante:

- procedere seguendo le istruzioni fornite da **Fig. 4.5** e oltre

4.4.4 Montaggio della bocchetta



AVVERTIMENTO

Lasciare il nastro intorno alle due sezioni del braccio finché la bocchetta non è stata installata.

Fig. 4.9

- Far scorrere una guarnizione di gomma sull'estremità della sezione del braccio.
- Ripiegare i 2/3 della guarnizione.
- Posizionare temporaneamente il tubo flessibile e l'altra guarnizione (in questa sequenza) sull'estremità della sezione del braccio (lato bocchetta).
- Installare la bocchetta sulla sezione a U (A) utilizzando il bullone e il dado.

Se il braccio aspirante è dotato di una lampadina (WL) o di una lampadina con avvio/arresto automatico (WL-AST), è ora necessario collegare il cavo di alimentazione. A tal fine, consultare il manuale corrispondente.

- Far scivolare il tubo flessibile sulla sezione del braccio. Verificare che almeno un anello metallico del tubo flessibile copra le creste del tubo.
- Far scorrere l'altro lato del tubo flessibile sul bordo della bocchetta. Verificare che almeno un anello metallico del tubo flessibile copra le creste della bocchetta.
- Rendere ermetici i collegamenti utilizzando le guarnizioni di gomma.

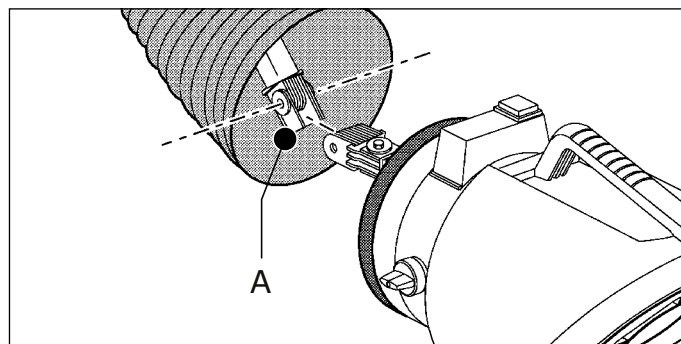


Fig. 4.9 Montaggio della bocchetta

- Rimuovere il nastro che collega le due sezioni del braccio.
- Installare i tubi flessibili sulle sezioni del braccio e rendere ermetici i collegamenti usando le guarnizioni di gomma.

5 USO



Dispositivi di protezione personale (DPI)

Durante l'utilizzo, indossare DPI per evitare lesioni. Ciò vale anche per le persone che entrano nell'area di lavoro.

5.1 Controlli

La bocchetta del braccio è dotata di una maniglia per facilitare il posizionamento e di una valvola a farfalla per regolare il flusso d'aria. Tutti i movimenti del braccio sono controllati dalla bocchetta.

Fig. 5.1

A Valvola a farfalla

B Maniglia

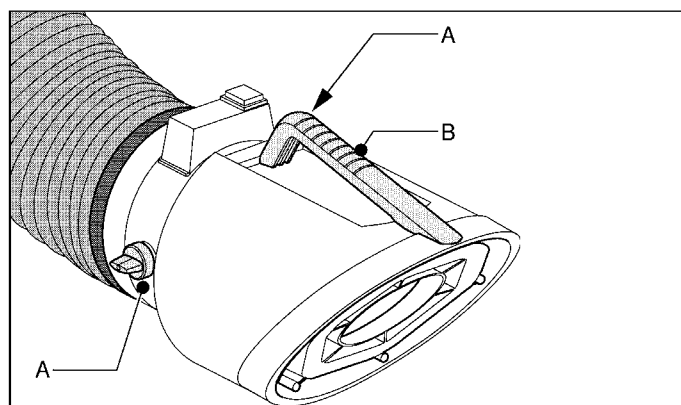


Fig. 5.1 Controlli

5.2 Uso

Fig. 5.2

- Usare la maniglia (vedi Fig. 5.1B) per posizionare la bocchetta del braccio a max. 480 mm dalla fonte di inquinamento.
- Assicurarsi che la valvola a farfalla (vedi Fig. 5.1A) sia aperta.
- Se presente / desiderato: Accendere la lampadina.
- Avviare il dispositivo di aspirazione collegato^{11,12}.
- Avviare la saldatura.

11. Come, ad esempio, un aspiratore mobile di fumi di saldatura, un ventilatore di aspirazione o un sistema di aspirazione

12. In caso di avvio/arresto automatico (WL-AST o WCS), il dispositivo di aspirazione si avvierà automaticamente all'inizio della saldatura

- Se si desidera, chiudere parzialmente la valvola a farfalla per regolare il flusso dell'aria.
- Se si cambia posizione di saldatura, spostare la bocchetta nella corretta posizione rispetto alla saldatura.
- Spegnerne il dispositivo di aspirazione collegato, circa 20 secondi dopo aver terminato la saldatura¹³.

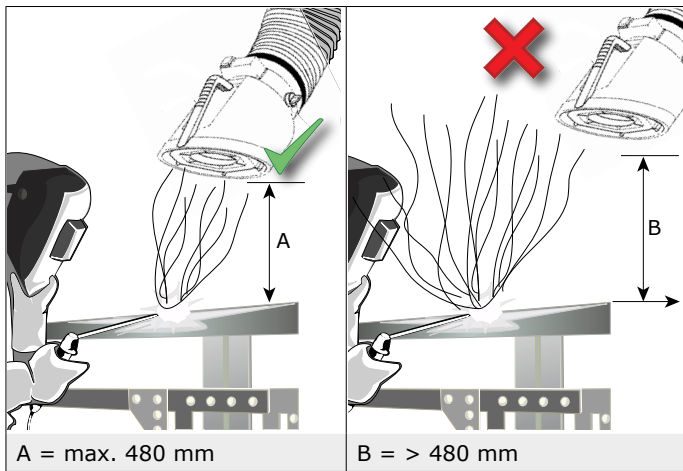


Fig. 5.2 Posizione corretta della bocchetta

6 MANUTENZIONE

6.1 Manutenzione periodica



Il prodotto è stato progettato per funzionare a lungo senza problemi e con interventi manutentivi limitati. Per poter garantire ciò, in questo capitolo si fornisce una descrizione degli interventi di manutenzione periodica e le operazioni di pulizia necessarie.



AVVERTENZA!

Eventuali ritardi nell'esecuzione degli interventi di manutenzione possono essere all'origine di incendi.

Gli intervalli di manutenzione indicati, possono variare a seconda delle condizioni ambientali e di utilizzo. Pertanto si raccomanda di ispezionare minuziosamente il prodotto completo una volta all'anno, oltre a quanto indicato per la manutenzione periodica. Per questo contattare il Vs. fornitore.

Componente	Attività	Frequenza: ogni X mesi	
		X=3	X=6
Generale			
Esterno del braccio	Pulizia con detergente non aggressivo	X	
Tubi flessibili	Verificare l'eventuale presenza di crepe o danni. Sostituire se necessario		X
Interno del braccio	Pulire accuratamente		X
Valvola a farfalla	Verificare il funzionamento		X
Cerniera della bocchetta	Verificare il movimento orizzontale e verticale della bocchetta. Se necessario, pulire la cerniera della bocchetta o regolare la frizione; fare riferimento al paragrafo 6.2.1		X
Cerniera rotante	Lubrificare l'asse; fare riferimento al paragrafo 6.3		X
Cavi d'acciaio	Verificare l'eventuale presenza di usura		X

13. In caso di avvio/arresto automatico (WL-AST o WCS), il dispositivo di aspirazione si arresterà automaticamente dopo un determinato ritardo di arresto

Componente	Attività	Frequenza: ogni X mesi	
		X=3	X=6
LFA 3.0 LFA 4.0			
Punti di cerniera	Verificare e lubrificare; consultare la Fig. IV (C) a pagina 61		X
Cerniera intermedia	Verificare la frizione. Regolare se necessario; fare riferimento a Fig. IV (A) a pagina 61		X
LFA 3.1 LFA 4.1			
Punti di cerniera	Verificare e lubrificare; consultare la Fig. V (C) a pagina 62		X
Cavo d'acciaio vicino alla ruota Balance	Verificare e lubrificare; consultare la Fig. V (B) a pagina 62		X
Costruzione di bilanciamento	Verificare il bilanciamento del braccio aspirante. Regolare se necessario; fare riferimento a Fig. V (A) a pagina 62		X

6.2 Sistema di bilanciamento

Se il braccio aspirante, o una parte dello stesso, non resta nella posizione desiderata, è necessario regolare la frizione e/o il sistema di bilanciamento.

Per esaminare e regolare il sistema di bilanciamento, procedere come segue.

Fig. 6.1

- Portare il braccio aspirante (bocchetta inclusa) in posizione orizzontale.
- Piegare il braccio.
- Muovere il braccio aspirante e la bocchetta in alto e in basso, a sinistra e a destra sia in posizione diritta che piegata.

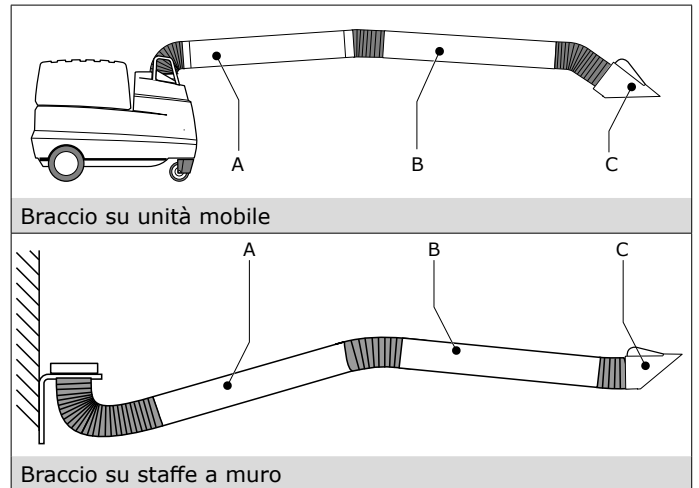
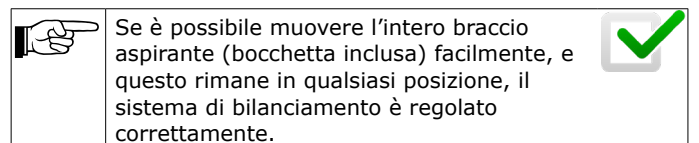


Fig. 6.1 Braccio in posizione orizzontale



Per regolazione della bocchetta di aspirazione (C):

- procedere con il paragrafo **6.2.1**

Per la regolazione della sezione del braccio (lato bocchetta) (B):

- procedere con il paragrafo **6.2.2**

Per la regolazione della sezione del braccio (lato parete/unità) (A):

- procedere con il paragrafo **6.2.3**

6.2.1 Cerniera della bocchetta

Frizione troppo alta

Se muovere la bocchetta risulta difficoltoso, è possibile che la cerniera sia sporca. In quel caso, procedere come segue.

- Smontare il tubo flessibile.
- Tagliare le fascette e rimuovere la copertura protettiva in gomma¹⁴.
- Pulire la cerniera della bocchetta.
- Regolare la frizione (vedere istruzioni di Fig. 6.2).
- Installare la copertura protettiva sulla cerniera della bocchetta e fissarla con due fascette nuove.
- Installare il tubo flessibile. Fare in modo che il collegamento sia ermetico.

Frizione troppo bassa

Se la bocchetta non rimane nella posizione desiderata, è necessario stringere la frizione.

Fig. 6.2

- Smontare il tubo flessibile.
- Tagliare le fascette e rimuovere la copertura protettiva in gomma.
- Stabilire quale parte della cerniera deve essere regolata:
 - movimento verticale (A); o
 - movimento orizzontale (B)
- Serrare il bullone e il dado corrispondenti.
- Installare la copertura protettiva sulla cerniera della bocchetta e fissarla con due fascette.
- Installare il tubo flessibile. Fare in modo che il collegamento sia ermetico.

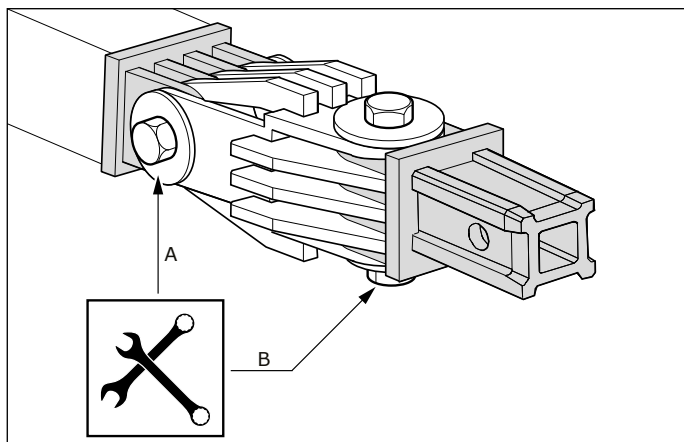


Fig. 6.2 Cerniera della bocchetta

6.2.2 Sezione del braccio (lato bocchetta)

Per regolare il bilanciamento, è necessario scollegare il tubo flessibile della cerniera centrale. Al termine, installare il tubo flessibile e rendere ermetici i collegamenti utilizzando le guarnizioni di gomma.

Bracci LFA 3.0 e LFA 4.0

Fig. 6.3 (vedi anche Fig. 6.1B)

- Portare il braccio aspirante (bocchetta inclusa) in posizione orizzontale.

In caso di caduta della sezione del braccio:

- Girare il bullone M8 (A) in senso orario per stringere la frizione.

14. Se la copertura protettiva in gomma è danneggiata, è necessario sostituirla

In caso di difficoltà a muovere la sezione del braccio in basso:

- Ruotare il bullone M8 (A) in senso antiorario per stringere la frizione.

In caso di difficoltà a muovere la sezione del braccio in alto:

- Girare il bullone M8 (B) in senso antiorario fino a quando non è possibile muovere la sezione del braccio in modo fluido.

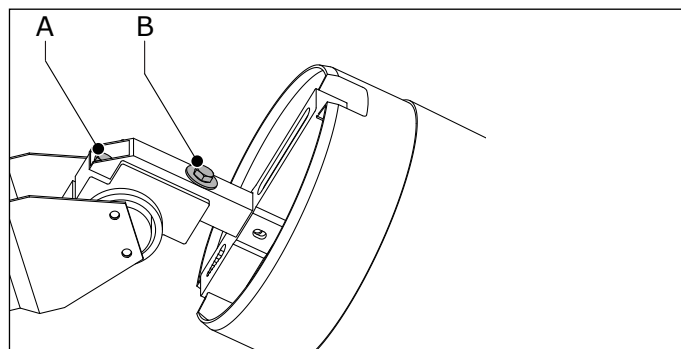


Fig. 6.3 Cerniera intermedia – LFA 3.0 | LFA 4.0

Bracci LFA 3.1 e LFA 4.1

Fig. 6.4 (vedi anche Fig. 6.1B)

- Portare il braccio aspirante (bocchetta inclusa) in posizione orizzontale.

In caso di caduta della sezione del braccio:

- Stringere il bullone (A) per aumentare la tensione della molla.

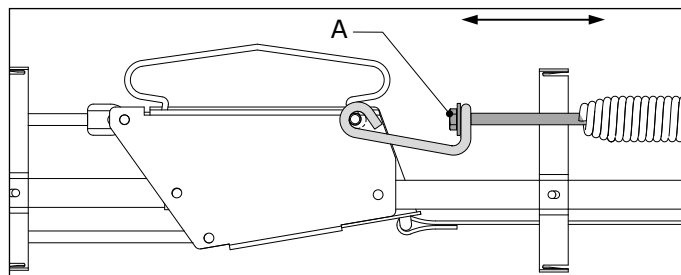


Fig. 6.4 Cerniera intermedia – LFA 3.1 | LFA 4.1

6.2.3 Sezione del braccio (lato parete/unità)

Per regolare il bilanciamento, è necessario scollegare il tubo flessibile della cerniera sul lato parete/unità. Al termine, installare il tubo flessibile e rendere ermetici i collegamenti utilizzando le guarnizioni di gomma.

Fig. 6.5 (vedi anche Fig. 6.1A)

- Tirare il braccio (compreso la cappa) in posizione orizzontale.

In caso di caduta di tutto il braccio:

- Stringere il bullone (A) per aumentare la tensione della molla. Verificare che la molla (B) non giri quando si sta stringendo il bullone.

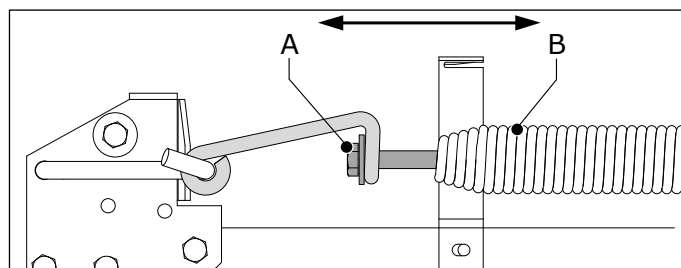


Fig. 6.5 Cerniera del lato parete/unità

6.3 Lubrificazione della cerniera rotante

Per assicurarsi che la cerniera rotante possa girare liberamente, è necessario lubrificare regolarmente l'asse.

Fig. 6.6

- (B) Applicare il grasso al nipplo di lubrificazione con una pistola ingrassatrice.

Tipo di grasso consigliato: grasso standard per cuscinetti EP2

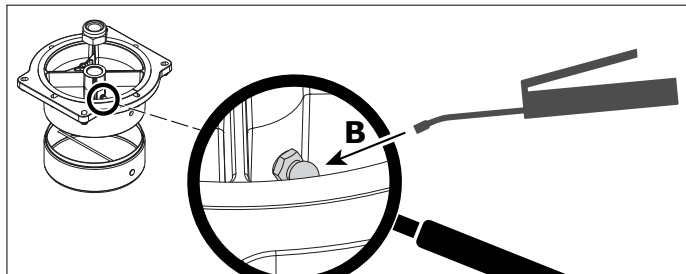


Fig. 6.6 Lubrificazione della cerniera rotante

7 RISOLUZIONE DEI PROBLEMI

Se il prodotto non funziona (correttamente), consultare la lista di controllo qui sotto per vedere se è possibile rimediare all'errore da soli. Se ciò non fosse possibile, contattare il proprio fornitore.



AVVERTENZA!
Seguire le regole di sicurezza riportate nel capitolo 3 quando si eseguono le attività indicate sotto.

Segnale	Problema	Possibile causa	Soluzione
Generale			
Capacità di aspirazione insufficiente	Inquinamento della struttura	Valvola a farfalla è chiusa	Aprire la valvola a farfalla
		Tubo/i flessibile/i strappati o allentati	Sostituire i tubi flessibili o installarli correttamente
		Guarnizione(i) di gomma lacerata(e) o installata(e) in modo scorretto	Sostituire la(e) guarnizione(i) di gomma o installarla(e) correttamente
		L'aria esterna viene aspirata all'interno del sistema di condotti collegato	Rendere il sistema di condotti a tenuta d'aria
Bocchetta di aspirazione non bilanciata	La bocchetta non resta nella posizione desiderata	Frizione insufficiente	Regolare la frizione della cerniera della bocchetta; fare riferimento al paragrafo 6.2.1
	Non è possibile portare la bocchetta alla posizione desiderata	Frizione eccessiva	

Segnale	Problema	Possibile causa	Soluzione
Caduta dell'intero braccio aspirante (entrambe le sezioni del braccio)	Il braccio non resta nella posizione desiderata	Tensione della molla troppo bassa	Aumentare la tensione della molla della cerniera lato parete/unità; fare riferimento al paragrafo 6.2.3
LFA 3.0 LFA 4.0			
Il braccio aspirante scricchiola o cigola	Il braccio aspirante si muove con difficoltà	Lubrificazione insufficiente	Lubrificare i punti di cerniera; fare riferimento a Fig. IV (C) a pagina 61
Difficoltà di movimento del lato della bocchetta del braccio	Frizione della cerniera centrale	Frizione insufficiente a causa dell'invecchiamento	Regolare la frizione della cerniera della bocchetta; fare riferimento al paragrafo 6.2.2 (Bracci LFA 3.0 e LFA 4.0)
		Frizione eccessiva	
		Frizione eccessiva a causa della presenza di inquinanti	Pulire il meccanismo di frizione della cerniera centrale
LFA 3.1 LFA 4.1			
Il braccio aspirante scricchiola o cigola	Il braccio aspirante si muove con difficoltà; usura eccessiva delle parti	Lubrificazione insufficiente	Lubrificare i punti di cerniera; fare riferimento a Fig. V (C) a pagina 62
			Lubrificare il cavo d'acciaio vicino alla ruota Balance; fare riferimento a Fig. V (B) a pagina 62
Caduta del lato della bocchetta del braccio aspirante	Il braccio non resta nella posizione desiderata	Tensione della molla troppo bassa	Aumentare la tensione della molla; fare riferimento al paragrafo 6.2.2 (Bracci LFA 3.1 e LFA 4.1)

8 PEZZI DE RICAMBIO

Per i prodotti sono disponibili i pezzi di ricambio seguenti;



8.1 LFA 3.0 | LFA 4.0

Vedi la vista esplosa Fig. VI a pagina 63 e la lista dei pezzi di ricambio a pagina 64

8.2 LFA 3.1 | LFA 4.1

Vedi la vista esplosa Fig. VII a pagina 65 e la lista dei pezzi di ricambio a pagina 66

9 SMALTIMENTO

Alla fine della sua durata, il prodotto deve essere smaltito conformemente alle disposizioni e/o direttive vigenti a livello locale.



Fig. I Product combinations

	EN	MOBILE use	STATIONARY use									
	NL	MOBIEL gebruik	STATIONAIR gebruik									
	DE	MOBILER Einsatz	STATIONÄRER Einsatz									
	FR	Utilisation MOBILE	Utilisation FIXE									
	ES	Uso MÓVIL	Uso ESTACIONARIO									
	IT	Uso MOBILE	Uso STAZIONARIO									
Extraction arm:		<table border="1"> <tr><td>LFA 3.0</td></tr> <tr><td>LFA 4.0</td></tr> <tr><td>LFA 3.1</td></tr> <tr><td>LFA 4.1</td></tr> </table>	LFA 3.0	LFA 4.0	LFA 3.1	LFA 4.1		<table border="1"> <tr><td>LFA 3.0</td></tr> <tr><td>LFA 4.0</td></tr> <tr><td>LFA 3.1</td></tr> <tr><td>LFA 4.1</td></tr> </table>	LFA 3.0	LFA 4.0	LFA 3.1	LFA 4.1
LFA 3.0												
LFA 4.0												
LFA 3.1												
LFA 4.1												
LFA 3.0												
LFA 4.0												
LFA 3.1												
LFA 4.1												
		+	↻	+								
Extension crane:				<table border="1"> <tr><td>EC-2</td></tr> <tr><td>EC-2 + EXT-EC-4</td></tr> </table>	EC-2	EC-2 + EXT-EC-4						
EC-2												
EC-2 + EXT-EC-4												
			+	+								
Wall brackets:			<table border="1"> <tr><td>LMB</td></tr> </table>	LMB	<table border="1"> <tr><td>TMB</td></tr> </table>	TMB						
LMB												
TMB												
			+	+								
Fan:			↻	<table border="1"> <tr><td>SF 2400</td></tr> <tr><td>SF 4200</td></tr> </table>	SF 2400	SF 4200						
SF 2400												
SF 4200												
				↻								
Filter unit:		<table border="1"> <tr><td>Mobiflex 200-M</td></tr> <tr><td>Mobiflex 400-MS</td></tr> <tr><td>Mobiflex 300-E</td></tr> </table>	Mobiflex 200-M	Mobiflex 400-MS	Mobiflex 300-E		<table border="1"> <tr><td>Statiflex 200-M</td></tr> <tr><td>Statiflex 400-MS</td></tr> </table>	Statiflex 200-M	Statiflex 400-MS			
Mobiflex 200-M												
Mobiflex 400-MS												
Mobiflex 300-E												
Statiflex 200-M												
Statiflex 400-MS												
			+	+								

Fig. II Working reach

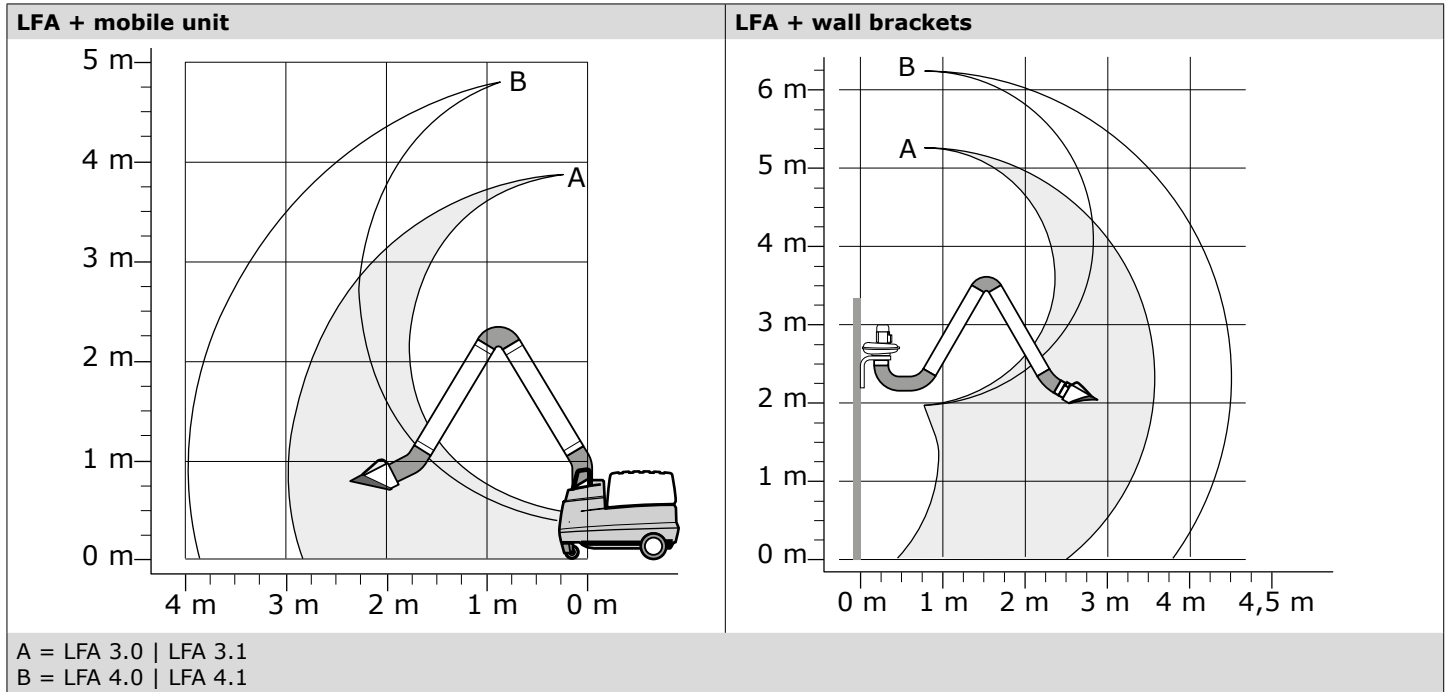


Fig. III Pressure drop

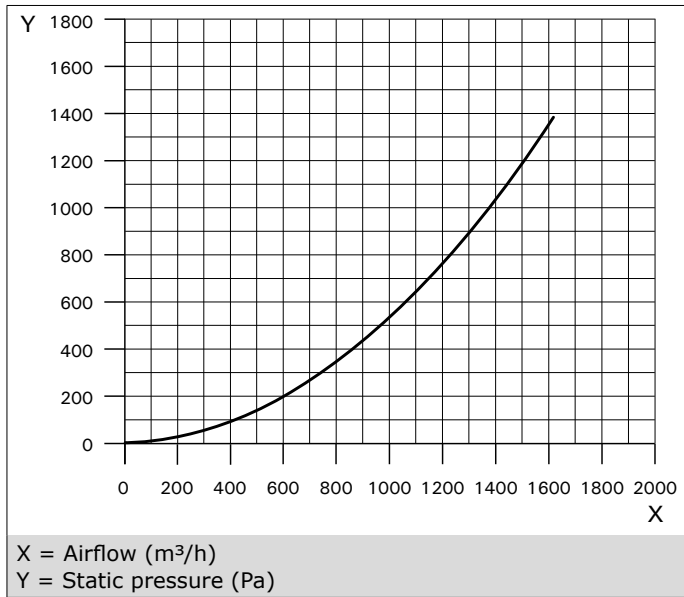
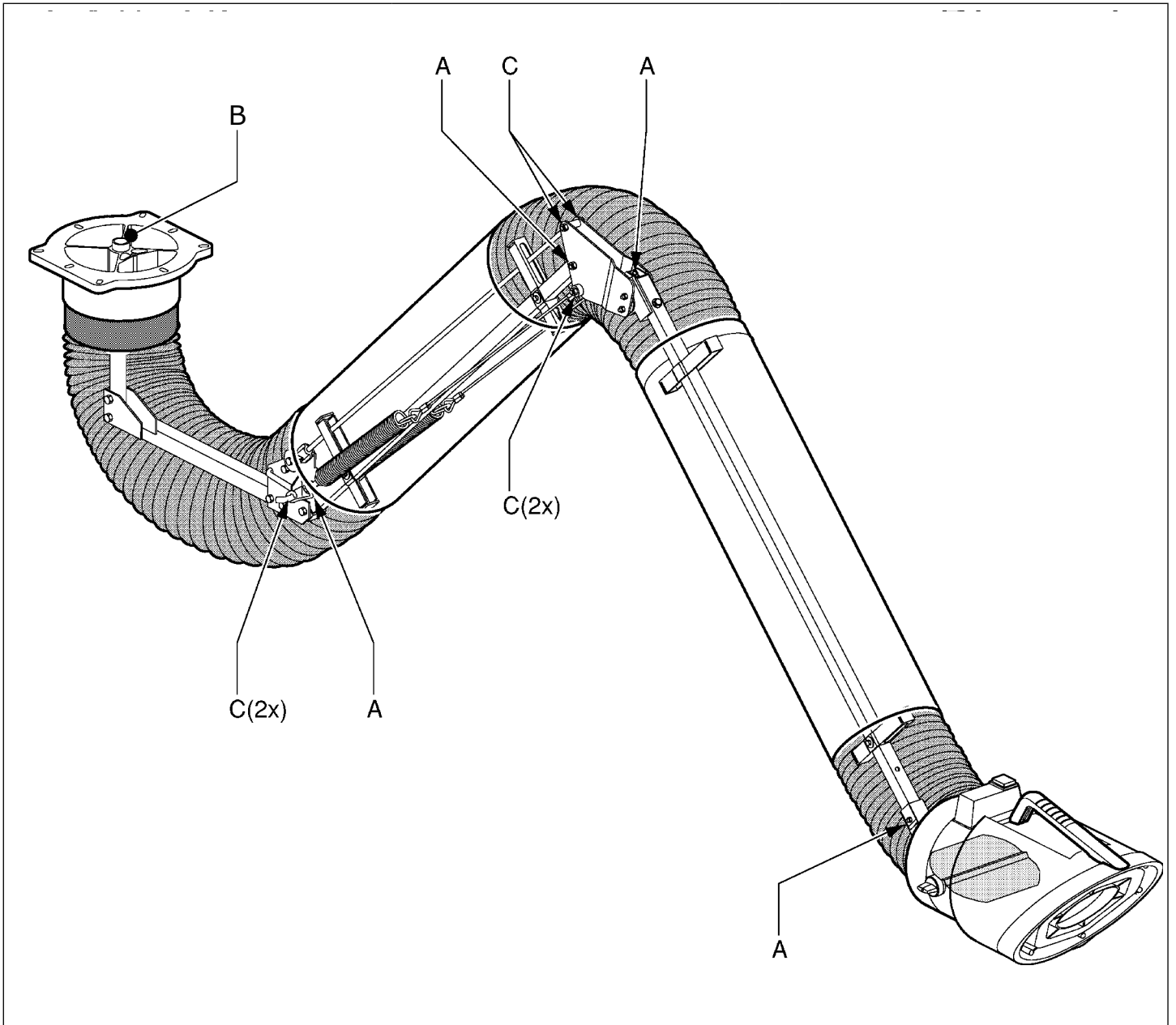
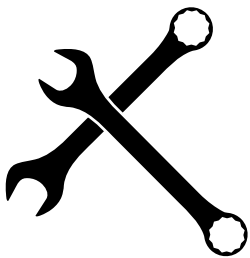
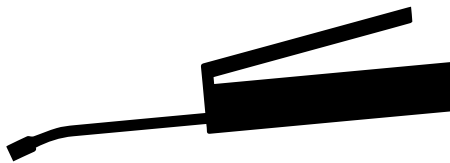


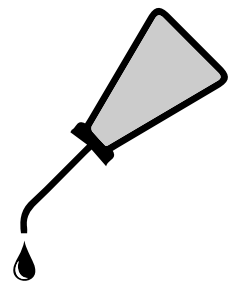
Fig. IV Maintenance points LFA 3.0 | LFA 4.0

**A**

(EN) Adjustment
 (NL) Afstelling
 (DE) Einstellungen
 (FR) Réglage
 (ES) Ajuste
 (IT) Regolazione

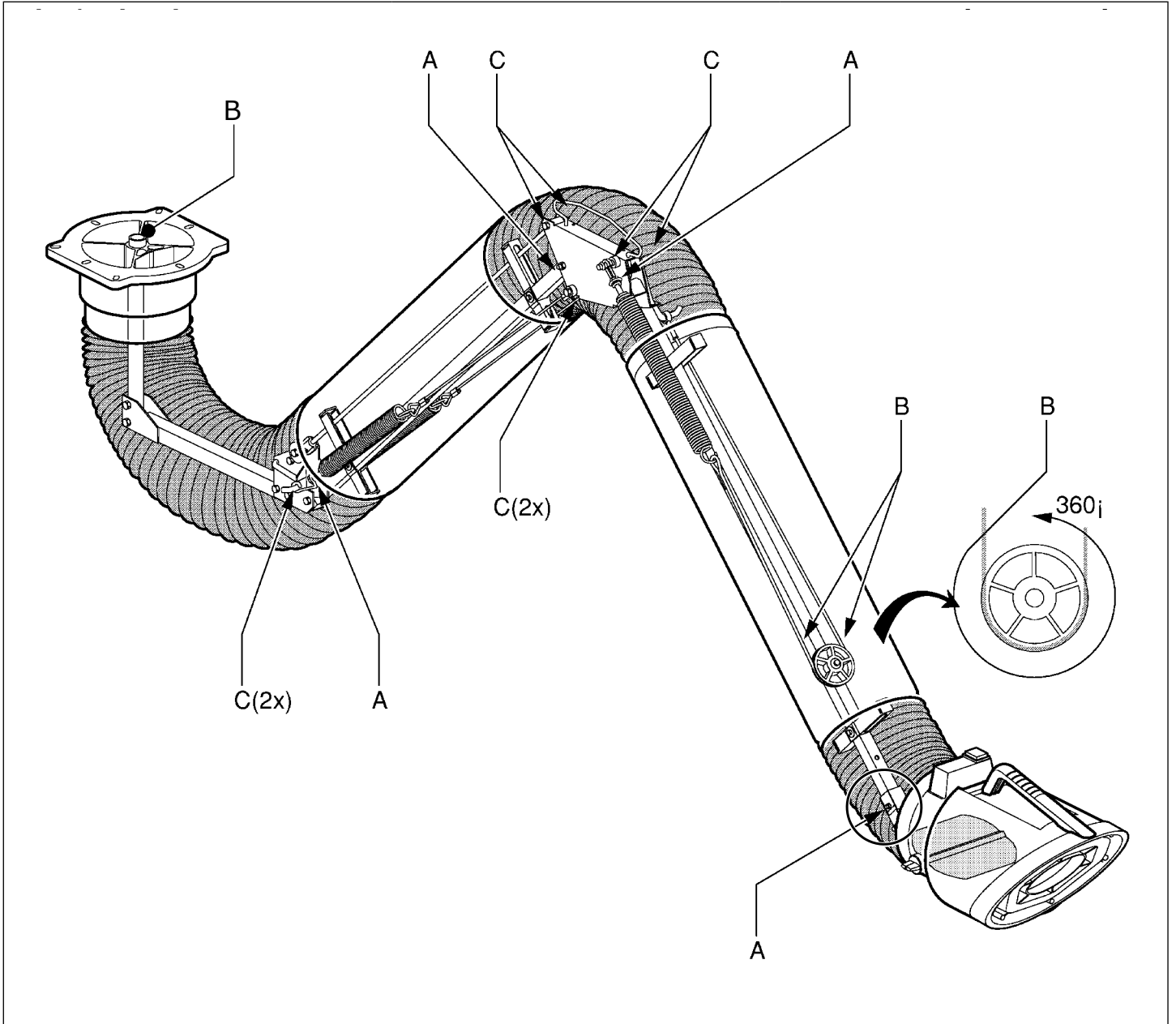
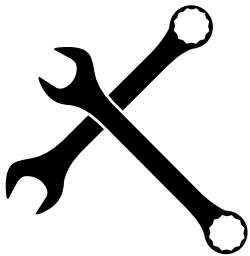
B

(EN) Lubricating **grease**
 (NL) Smeervet
 (DE) Schmierfett
 (FR) **Graisse** de lubrification
 (ES) Lubricar con **grasa**
 (IT) **Grasso** lubrificante

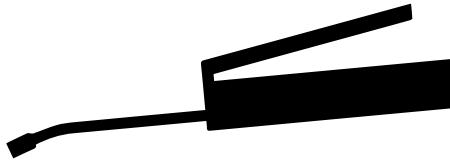
C

(EN) Lubricating **oil**
 (NL) Smeerolie
 (DE) Schmieröl
 (FR) **Huile** de lubrification
 (ES) Lubricar con **aceite**
 (IT) **Olio** lubrificante

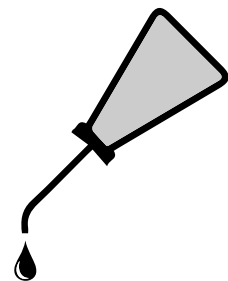
Fig. V Maintenance points LFA 3.1 | LFA 4.1

**A**

(EN) Adjustment
 (NL) Afstelling
 (DE) Einstellungen
 (FR) Réglage
 (ES) Ajuste
 (IT) Regolazione

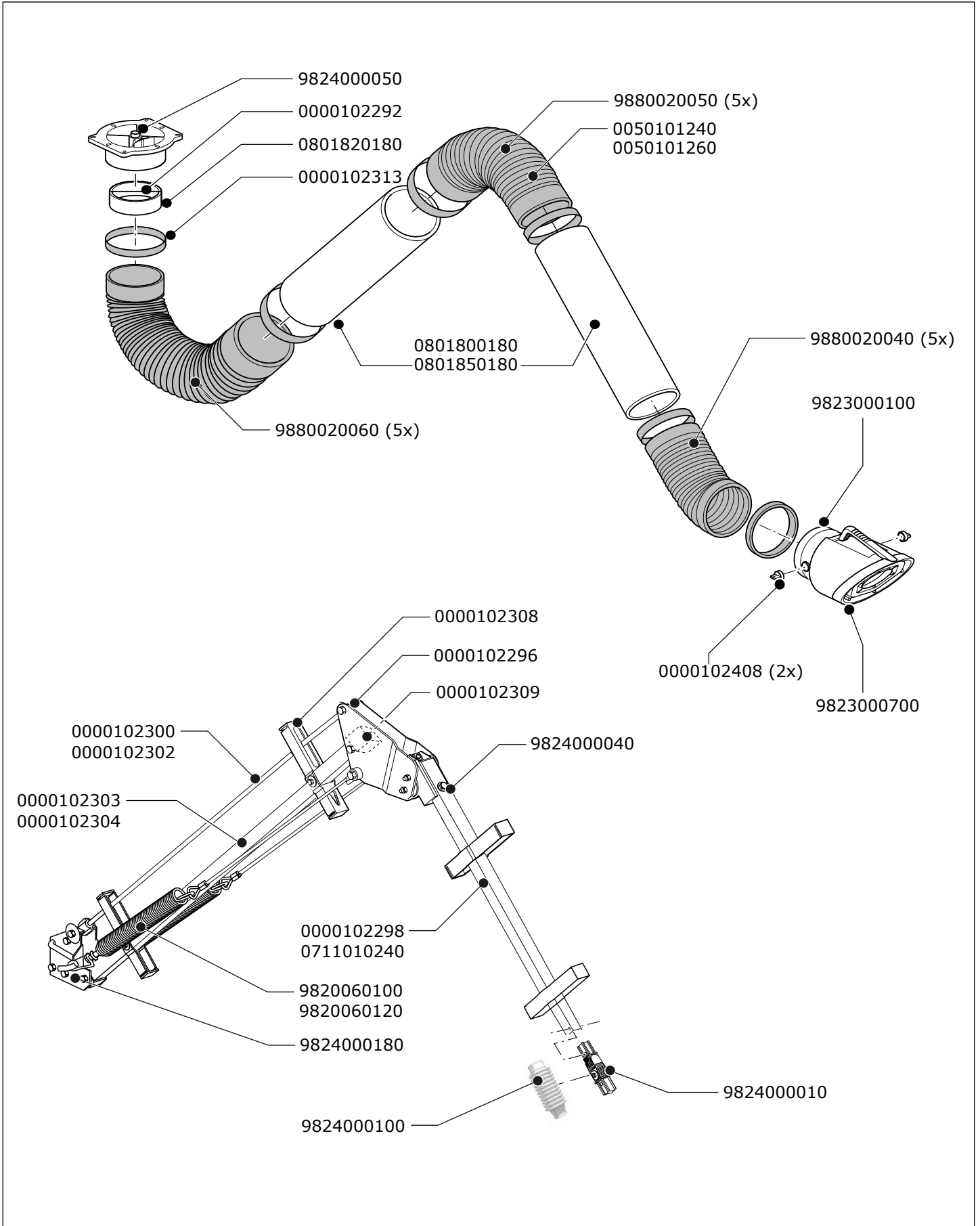
B

(EN) Lubricating **grease**
 (NL) Smeervet
 (DE) Schmierfett
 (FR) **Graisse** de lubrification
 (ES) Lubricar con **grasa**
 (IT) **Grasso** lubrificante

C

(EN) Lubricating **oil**
 (NL) Smeerolie
 (DE) Schmieröl
 (FR) **Huile** de lubrification
 (ES) Lubricar con **aceite**
 (IT) **Olio** lubrificante

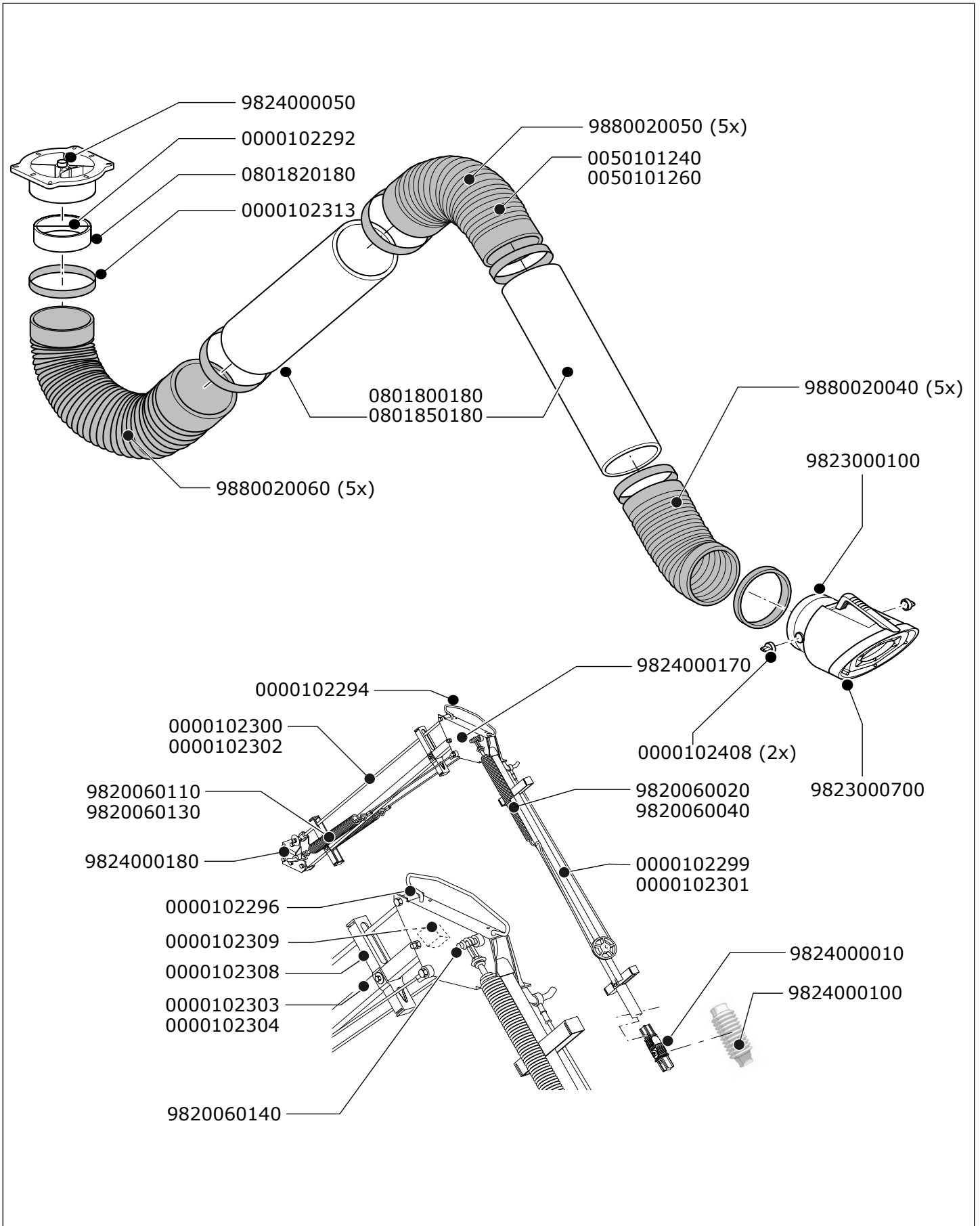
Fig. VI Exploded view LFA 3.0 | LFA 4.0



LFA 3.0 | LFA 4.0

	EN Spare parts	NL Reserve- onderdelen	DE Ersatzteile	FR Pièces détachées	ES Lista de piezas de recambio	IT Pezzi di ricambio
	General	Algemeen	Allgemeines	Généralités	General	Generale
0000102292	Spring for collar rotating hinge	Veer kraag draaischarnier	Feder für Kragen Drehgelenk	Ressort pour collet joint tournant	Resorte para bisagra giratoria de cuello	Molla per collare della cerniera rotante
0000102296	Aluminium fork M8	Aluminium gaffel M8	Aluminium Gabel	Fourchette d'aluminium M8	Horquilla de aluminio M8	Forcella in alluminio M8
0000102307	Collar rotating hinge	Kraag draaischarnier	Kragen für Drehgelenk	Collet joint tournant	Bisagra giratoria de cuello	Collare della cerniera rotante
0000102308	Tube holder	Kokerhouder	Rohrhalter	Gaine tuyau	Portatubo	Alloggiamento tubo
0000102309	Plastic plug (black)	Kunststof prop (zwart)	Kunststoffstopfen (schwarz)	Bouchon plastique (noir)	Tope de plástico (negro)	Tappo in plastica (nero)
0000102313	Rubber collar Ø 203 mm	Manchet Ø 203 mm	Gummidichtung Ø 203 mm	Manchon en caoutchouc Ø 203 mm	Cuello de goma Ø 203 mm	Collare in gomma Ø 203 mm
0000102408	Knob for throttle valve RotaHood (2 pieces)	Knop voor smoorklep RotaHood (2 stuks)	Knopf für Drosselklappe RotaHood (2 Stück)	Bouton rotatif pour registre RotaHood (2 pièces)	Botón para la válvula reguladora RotaHood (2 piezas)	Manopola per valvola a farfalla RotaHood (2 pezzi)
0050101240	Hose set for mounting on mobile unit	Slangset voor montage op mobiele unit	Schlauchsatz für Montage auf Mobieleinheit	Jeu de tuyaux pour montage sur unité mobile	Juego de manguera para montaje en unidad móvil	Set di tubi flessibili per assemblaggio su unità mobile
0050101260	Hose set for wall mounting	Slangset voor wandmontage	Schlauchsatz für Wandmontage	Jeu de tuyaux pour montage mural	Juego de manguera para montaje en la pared	Set di tubi flessibili per montaggio a parete
9823000700	RotaHood, complete	RotaHood, compleet	RotaHood, komplett	RotaHood, complet	RotaHood, completa	RotaHood, completa
9823000100	Throat RotaHood, complete	Keel RotaHood, compleet	Kehle RotaHood, komplett	Gorge RotaHood, complet	Garganta RotaHood, completa	Gola per RotaHood, completa
9824000010	Hinge set RotaHood, incl. protection cover	Kapscharnierset RotaHood, incl. beschermhoes	Gelinksatz RotaHood, inkl. Schutzhülle für Haubengelenk	Joint RotaHood, incl. housse de protection	Juego de bisagras RotaHood, incl. tapa de protección	Set di cerniere RotaHood, con copertura protettiva
9824000040	Friction clamp complete	Frictieklem compleet	Reibungsklemme Flex komplett	Pince à friction complet	Abrazadera de fricción completa	Morsetto della frizione completo
9824000050	Rotating hinge	Draaischarnier	Drehgelenk	Joint-tournant	Bisagra giratoria	Cerniera rotante
9824000100	Rubber protection cover hood hinge	Rubber beschermhoes voor kapscharnier	Gummischutzhülle für Haubengelenk	Housse de protection du joint	Protección de goma de la bisagra de la campana	Copertura protettiva in gomma per la cerniera della bocchetta
9824000180	Hinge wall/unit side	Scharnier muur-/unitzijde	Gelenk Wand-/Geräteseite	Joint côté mural / appareil	Bisagra lado de pared/unidad	Cerniera lato parete/unità
9880020040	Hose hood side (5 pieces)	Slang kapzijde (5 stuks)	Schlauch Haubenseite (5 Stück)	Tuyau côté buse (5 pièces)	Manguera lado de campana (5 piezas)	Tubo flessibile lato bocchetta (5 pezzi)
9880020050	Hose middle (5 pieces)	Slang midden (5 stuks)	Schlauch mitten (5 Stück)	Tuyau centre (5 pièces)	Manguera central (5 piezas)	Tubo flessibile centrale (5 pezzi)
9880020060	Hose wall/unit side (5 pieces)	Slang muur-/unitzijde (5 stuks)	Schlauch Wand-/Geräteseite (5 Stück)	Tuyau côté mural / appareil (5 pièces)	Manguera lado de pared/unidad (5 piezas)	Tubo flessibile lato parete/unità (5 pezzi)
LFA 3.0						
0000102302	Threaded rod	Parallelstang	Gewindestange	Tige filetée	Varilla roscada	Barra filettata
0000102304	Inner tube (sendzimir) wall/unit side	Binnenkoker (sendzimir) muur-/unitzijde	Innenrohr (Sendzimir) Wand-/Geräteseite	Tube intérieur (sendzimir) côté mural / appareil	Tubo interior (sendzimir) lado de pared/unidad	Tubo interno (sendzimir) lato parete/unità
0711010240	Inner tube hood side (aluminium)	Binnenkoker kapzijde (aluminium)	Innenrohr Haubenseite (Aluminium)	Tube intérieur côté buse (aluminium)	Tubo interior lado de campana (aluminio)	Tubo interno (alluminio) lato bocchetta
0801850180	Arm section	Armstuk	Armteil	Section du bras	Sección de brazo	Sezione del braccio
9820060100	Spring replacement set wall/unit side	Verenvervangingsset muur-/unitzijde	Federsatz Wand-/Geräteseite	Jeu de remplacement des ressorts côté mural / appareil	Juego de sustitución de resorte lado de pared/unidad	Set di ricambio delle molle, lato parete/unità
LFA 4.0						
0000102298	Inner tube (aluminium) hood side	Binnenkoker (aluminium) kapzijde	Innenrohr (Aluminium) Haubenseite	Tube intérieur (aluminium) côté buse	Tubo interior (de aluminio) lado de campana	Tubo interno (alluminio) lato bocchetta
0000102300	Threaded rod	Parallelstang	Gewindestange	Tige filetée	Varilla roscada	Barra filettata
0000102303	Inner tube (sendzimir) wall/unit side	Binnenkoker (sendzimir) muur-/unitzijde	Innenrohr (Sendzimir) Wand-/Geräteseite	Tube intérieur (sendzimir) côté mural / appareil	Tubo interior (sendzimir) lado de pared/unidad	Tubo interno (sendzimir) lato parete/unità
0801800180	Arm section	Armstuk	Armteil	Section du bras	Sección de brazo	Sezione del braccio
9820060120	Spring replacement set wall/unit side	Verenvervangingsset muur-/unitzijde	Federsatz Wand-/Geräteseite	Jeu de remplacement des ressorts côté mural / appareil	Juego de sustitución de resorte lado de pared/unidad	Set di ricambio delle molle, lato parete/unità

Fig. VII Exploded view LFA 3.1 | LFA 4.1



LFA 3.1 | LFA 4.1

	EN Spare parts	NL Reserveonderdelen	DE Ersatzteile	FR Pièces détachées	ES Lista de piezas de recambio	IT Pezzi di ricambio
	General	Algemeen	Allgemeines	Généralités	General	Generale
0000102292	Spring for collar rotating hinge	Veer kraag draaischarnier	Feder für Kragen Drehgelenk	Ressort pour collet joint tournant	Resorte para bisagra giratoria de cuello	Molla per collare della cerniera rotante
0000102294	Distance spring hose middle	Afstandsveer slang midden	Distanzfeder Schlauch mitten	Ressort à distance tuyau centre	Resorte distanciador manguera central	Molla distanziatrice del tubo flessibile centrale
0000102296	Aluminium fork M8	Aluminium gaffel M8	Aluminium Gabel M8	Fourchette d'aluminium M8	Horquilla de aluminio M8	Forcella in alluminio M8
0000102307	Collar rotating hinge	Kraag draaischarnier	Kragen für Drehgelenk	Collet joint tournant	Bisagra giratoria de cuello	Collare della cerniera rotante
0000102308	Tube holder	Kokerhouder	Rohrhalter	Gaine tuyau	Portatubo	Alloggiamento tubo
0000102309	Plastic plug (black)	Kunststof prop (zwart)	Kunststoffstopfen (schwarz)	Bouchon plastique (noir)	Tope de plástico (negro)	Tappo in plastica (nero)
0000102313	Rubber collar Ø 203 mm	Manchet Ø 203 mm	Gummidichtung Ø 203 mm	Manchon en caoutchouc Ø 203 mm	Cuello de goma Ø 203 mm	Collare in gomma Ø 203 mm
0000102408	Knob for throttle valve (2 pieces)	Knop voor smoorklep RotaHood (2 stuks)	Knopf für Drosselklappe RotaHood (2 Stück)	Bouton rotatif pour registre RotaHood (2 pièces)	Botón para la válvula reguladora RotaHood (2 piezas)	Manopola per valvola a farfalla RotaHood (2 pezzi)
0050101240	Hose set for mounting on mobile unit	Slangset voor montage op mobiele unit	Schlauchsatz für Montage auf Mobieleinheit	Jeu de tuyaux pour montage sur unité mobile	Juego de manguera para montaje en unidad móvil	Set di tubi flessibili per assemblaggio su unità mobile
0050101260	Hose set for wall mounting	Slangset voor wandmontage	Schlauchsatz für Wandmontage	Jeu de tuyaux pour montage mural	Juego de manguera para montaje en la pared	Set di tubi flessibili per montaggio a parete
9820060140	Starlock + circlip (10 pieces) for arms after 2006	Starlock + borgclip (10 stuks) voor armen na 2006	Starlock-Sicherungsscheibe + -ring (10 Stück) für Arme nach 2006	Anneau d'arrêt + ressort arrière (10 pièces) pour bras après 2006	Starlock + circlip (10 piezas) para brazos después de 2006	Rondella Starlock + anello di sicurezza (10 pezzi) per bracci prodotti dopo il 2006
9823000700	RotaHood, complete	RotaHood, compleet	RotaHood, komplett	RotaHood, complet	RotaHood, completa	RotaHood, completa
9823000100	Throat for RotaHood, complete	Keel RotaHood, compleet	Kehle RotaHood, komplett	Gorge RotaHood, complet	Garganta RotaHood, completa	Gola per RotaHood, completa
9824000010	Hinge set RotaHood, incl. protection cover	Kapscharnierset RotaHood, incl. beschermhoes	Gelenksatz RotaHood, inkl. Schutzhülle für Haubengelenk	Joint RotaHood, incl. housse de protection	Juego de bisagras RotaHood, incl. tapa de protección	Set di cerniere RotaHood, con copertura protettiva
9824000050	Rotating hinge	Draaischarnier	Drehgelenk	Joint-tournant	Bisagra giratoria	Cerniera rotante
9824000100	Rubber protection cover hood hinge	Rubber beschermhoes voor kapscharnier	Gummischutzhülle für Haubengelenk	Housse de protection du joint	Protección de goma de la bisagra de la campana	Copertura protettiva in gomma per la cerniera della bocchetta
9824000170	Middle hinge	Middenscharnier	Mittelgelenk	Charnière centrale	Bisagra central	Cerniera intermedia
9824000180	Hinge wall/unit side	Scharnier muur-/unitzijde	Gelenk Wand-/Geräteseite	Joint côté mural / appareil	Bisagra lado de pared/unidad	Cerniera lato parete/unità
9880020040	Hose hood side (5 pieces)	Slang kapzijde (5 stuks)	Schlauch Haubenseite (5 Stück)	Tuyau côté buse (5 pièces)	Manguera lado de campana (5 piezas)	Tubo flessibile lato bocchetta (5 pezzi)
9880020050	Hose middle (5 pieces)	Slang midden (5 stuks)	Schlauch mitten (5 Stück)	Tuyau centre (5 pièces)	Manguera central (5 piezas)	Tubo flessibile centrale (5 pezzi)
9880020060	Hose wall/unit side (5 pieces)	Slang muur-/unitzijde (5 stuks)	Schlauch Wand-/Geräteseite (5 Stück)	Tuyau côté mural / appareil (5 pièces)	Manguera lado de pared/unidad (5 piezas)	Tubo flessibile lato parete/unità (5 pezzi)
LFA 3.1						
0000102301	Inner tube (aluminium) hood side	Binnenkoker (aluminium) kapzijde	Innenrohr (Aluminium) Haubenseite	Tube intérieur (aluminium) côté buse	Tubo interior (de aluminio) lado de campana	Tubo interno (alluminio) lato bocchetta
0000102302	Threaded rod	Parallelstang	Gewindestange	Tige filetée	Varilla roscada	Barra filettata
0000102304	Inner tube (sendzimir) wall/unit side	Binnenkoker (sendzimir) muur-/unitzijde	Innenrohr (Sendzimir) Wand-/Geräteseite	Tube intérieur (sendzimir) côté mural / appareil	Tubo interior (sendzimir) lado de pared/unidad	Tubo interno (sendzimir) lato parete/unità
0801850180	Arm section	Armstuk	Armteil	Section du bras	Sección de brazo	Sezione del braccio
9820060020	Spring replacement set hood side	Verenvervangingsset kapzijde	Federsatz Haubenseite	Jeu de remplacement des ressorts côté buse	Juego de sustitución de resorte lado de campana	Set di ricambio delle molle, lato bocchetta
9820060110	Spring replacement set wall/unit side	Verenvervangingsset muur-/unitzijde	Federsatz Wand-/Geräteseite	Jeu de remplacement des ressorts côté mural / appareil	Juego de sustitución de resorte lado de pared/unidad	Set di ricambio delle molle, lato parete/unità
LFA 4.1						
0000102299	Inner tube (aluminium) hood side	Binnenkoker (aluminium) kapzijde	Innenrohr (Aluminium) Haubenseite	Tube intérieur (aluminium) côté buse	Tubo interior (de aluminio) lado de campana	Tubo interno (alluminio) lato bocchetta
0000102300	Threaded rod	Parallelstang	Gewindestange	Tige filetée	Varilla roscada	Barra filettata
0000102303	Inner tube (sendzimir) wall/unit side	Binnenkoker (sendzimir) muur-/unitzijde	Innenrohr (Sendzimir) Wand-/Geräteseite	Tube intérieur (sendzimir) côté mural / appareil	Tubo interior (sendzimir) lado de pared/unidad	Tubo interno (sendzimir) lato parete/unità
0000300188	Spring replacement set hood side	Verenvervangingsset kapzijde	Federsatz Haubenseite	Jeu de remplacement des ressorts côté buse	Juego de sustitución de resorte lado de campana	Set di ricambio delle molle, lato bocchetta
0801800180	Arm section	Armstuk	Armteil	Section du bras	Sección de brazo	Sezione del braccio
9820060130	Spring replacement set wall/unit side	Verenvervangingsset muur-/unitzijde	Federsatz Wand-/Geräteseite	Jeu de remplacement des ressorts côté mural / appareil	Juego de sustitución de resorte lado de pared/unidad	Set di ricambio delle molle, lato parete/unità

86958017 : LFA 3.0 - 4.0 - 3.1 - 4.1

LINCOLN
ELECTRIC

www.lincolnelectric.eu • www.lincolnelectric.com