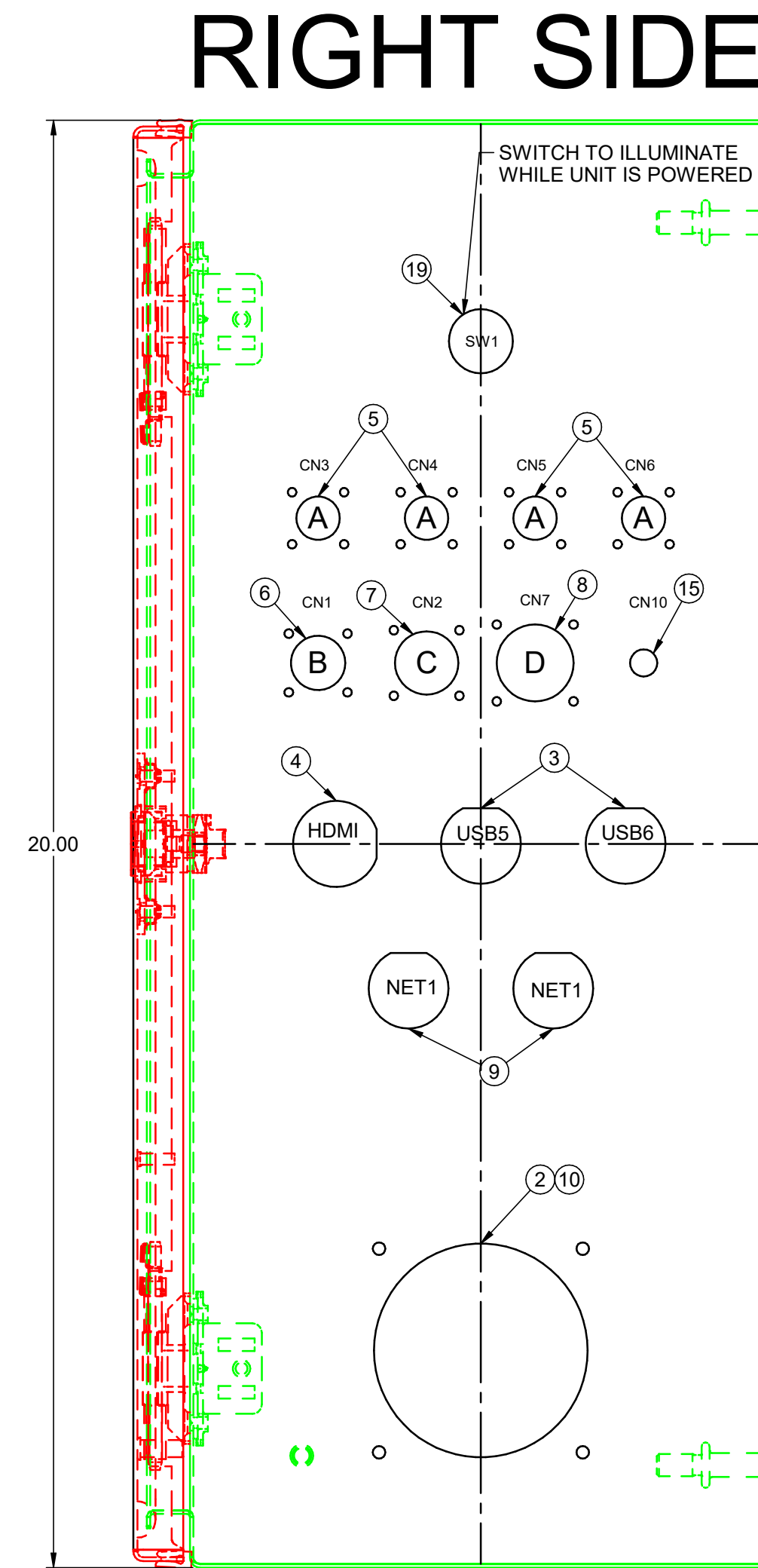
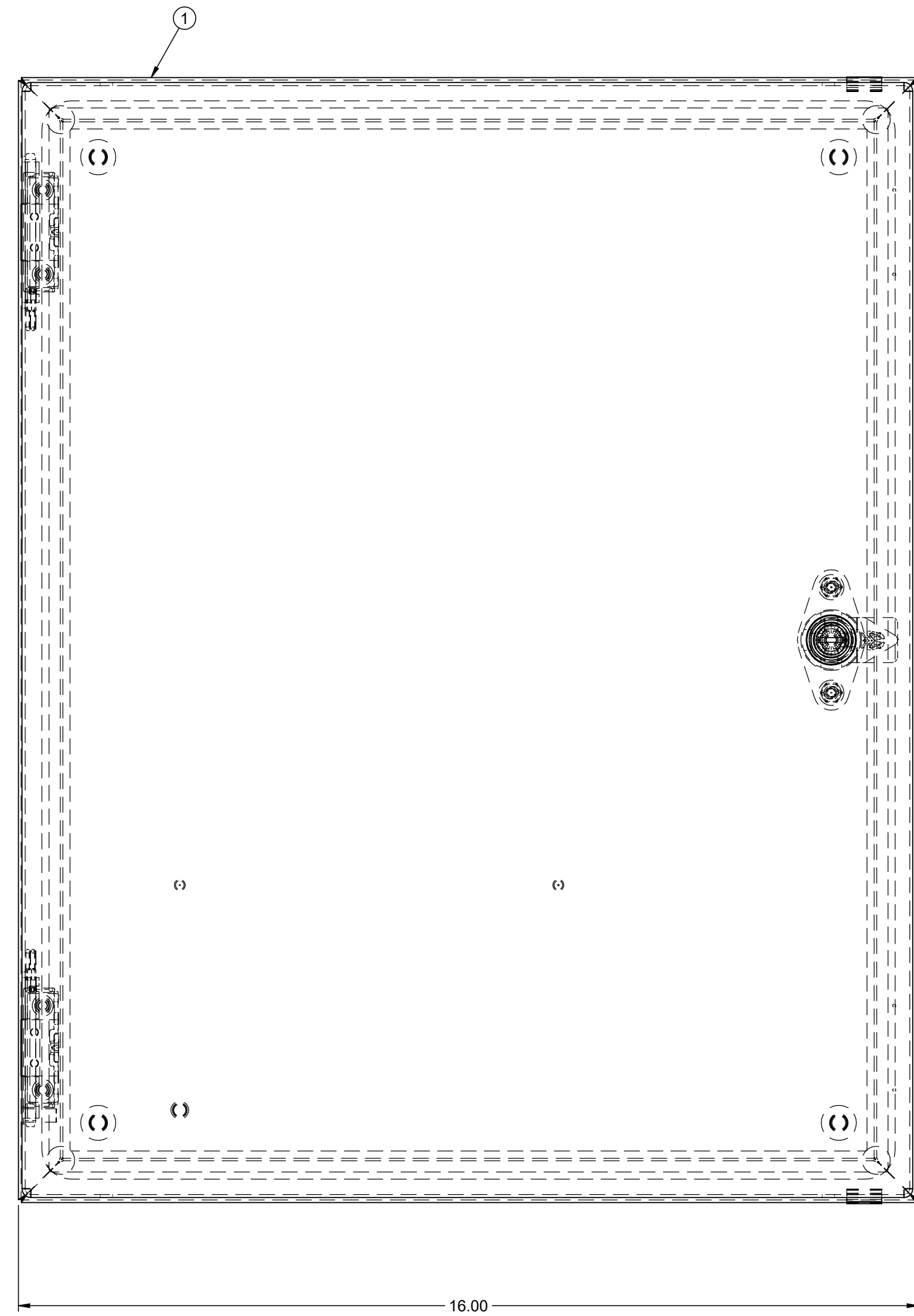
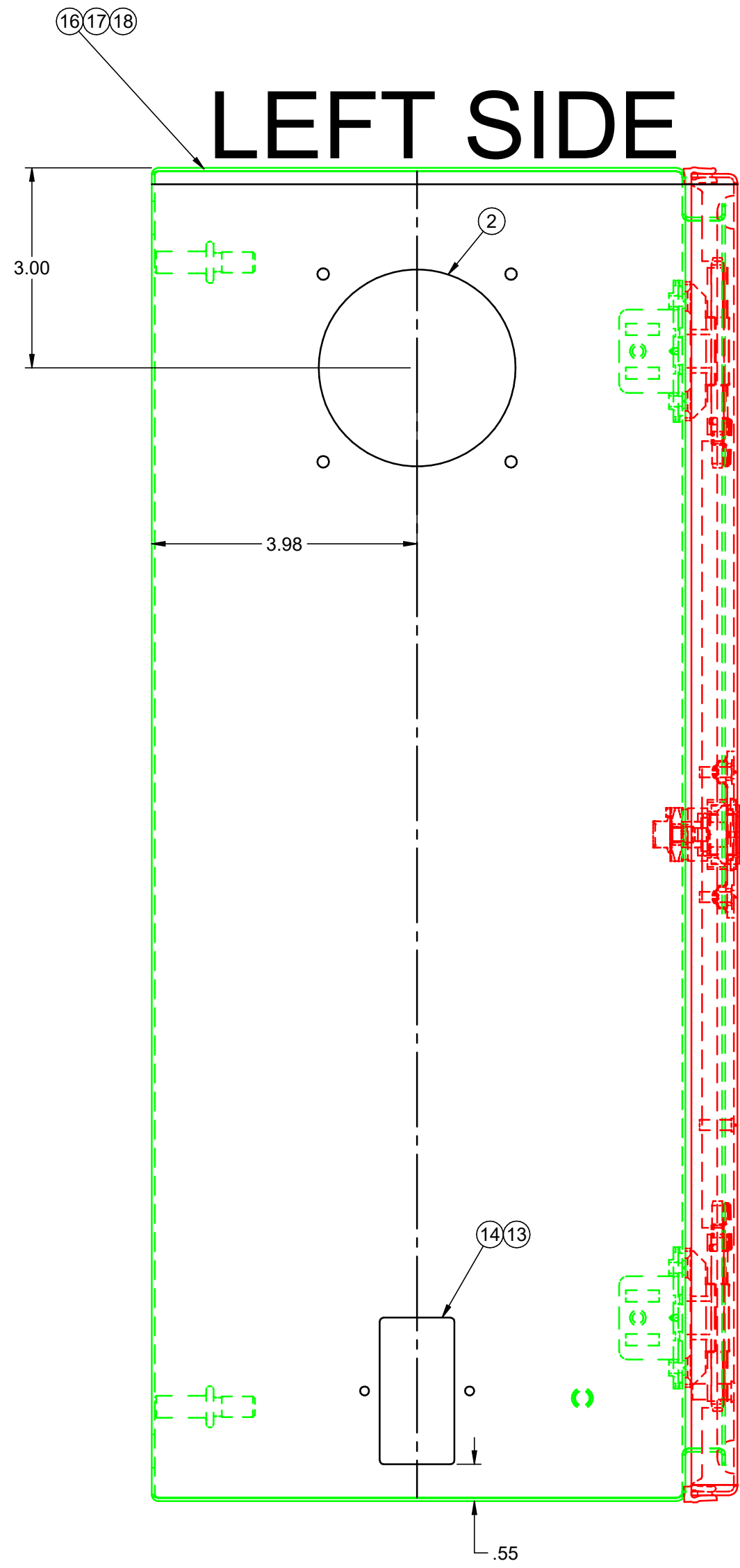


N.A. ENCLOSURE TO BE PAINTED BLACK
 N.B. ALL CUTOUT DIMENSIONS ARE APPROXIMATE.
 TO BE ADJUSTED BASED ON SELECTED COMPONENT
 N.C. ALL COMPONENTS TO BE ROHS COMPLIANT PER E4253

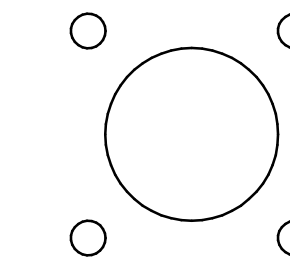
*ITEMS TO BE PICKED AT DISCRETION OF PANEL SHOP, ITEMS WITH CSA (INT)
 MUST MEET CSA STANDARD

N.D. ATTACH ITEM 23 TO INSIDE OF ENCLOSURE DOOR

ITEM	PART No.	DESCRIPTION	QTY	CSA (INT)
1	CSD20168-K4655	HOFFMAN ENCLOSURE (CUSTOM PUNCHED AND PAINTED)	1	
2	GRM8030	FAN DUST COVER AND FILTER	2	
3	17-200161	CONEC PANEL MOUNT USB PORT WITH DUST COVER	2	
4	DCP-HDMI-B-F	CONXALL PANEL MOUNT HDMI PORT	1	
5	PT02A-10-6S(027)	PANEL MOUNT 6 POSITION SOCKET BAYONET CONNECTOR	4	
6	PT02A-12-14S(027)	PANEL MOUNT 14 POSITION SOCKET BAYONET CONNECTOR	1	
7	PT02A-14-12S(027)	PANEL MOUNT 12 POSITION SOCKET BAYONET CONNECTOR	1	
8	MS-3102A-18-11-S	PANEL MOUNT 5 POSITION SOCKET THREADED CONNECTOR	2	
9	17-1000	CONEC PANEL MOUNT ETHERNET PORT WITH DUST COVER	2	
10	OD602512HSS	12VDC FAN	1	
11	S31956	PLUG PANEL OVERLAY DECAL (VMS)	1	
12	EZENTRY4MINI9	ROXTEC, EXENTRY 4 MINI/9	1	
13	GSA10	FUSE CERAMIC, TIME DELAY, 10AMP, 250VAC OR EQUIV (FERRAZ)	2	INT
14	PE0S0DMXE	TE FEMALE 115VAC INPUT RECEPTACLE W/ FUSE AND FILTERING PROTECTION	1	INT
15	275937	PANEL MOUNT 3.5MM AUDIO JACK (FEMALE) (MCM ELECTRONICS)	1	
16	559610	ERCO 1-1/4" 5/16-18 THREADED INSULATOR	4	
17	NA	5/16-18 SOCKET HEAD CAP SCREW	4	
18	NA	5/16-18 LOCK WASHER	4	
19	M22SDLG	CONTACT BLOCK (EATON)	1	INT
	M22LED230G	LED INSERT FOR CONTACT BLOCK BUTTON (GREEN) (EATON)	1	INT
	M22SDLG	GREEN BUTTON (EATON)	1	INT
20	21201301	POWER CORD (US) 16AWG, 13A, 125V TYPE 4 & 12 (QUALTEK)	1	INT
22	90010W115210	POWER CORD 5-15P TO IEC C5 FEMALE 10FT (CCT)	1	INT
23	ADP1	SMALL LITERATURE POCKET	1	

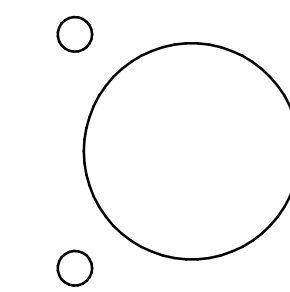


DETAIL A



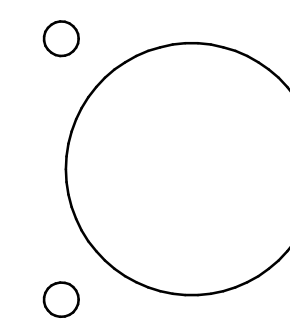
ENCLOSURE INFORMATION:
 ENCLOSURE PART NUMBER: CSD20168
 INTERNAL PANEL: CP2016
 PAINTED MATTE BLACK

DETAIL B

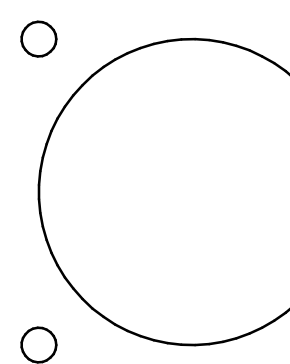


CONNECTOR GUIDE:
 CN1: ARC TRIGGER CIRCUIT (14 POSITION BAYONET)
 CN2: CURRENT TRANSDUCER (12 POSITION BAYONET)
 CN3: TARGET VOLTAGE (DC) (6 POSITION BAYONET)
 CN4: TARGET VOLTAGE (DC) (6 POSITION BAYONET)
 CN5: TARGET VOLTAGE (DC) (6 POSITION BAYONET)
 CN6: TARGET VOLTAGE (DC) (6 POSITION BAYONET)
 CN7: PENDANT (5 POSITION THREADED)
 CN8: LIMIT SWITCHES (6 POSITION BAYONET)
 CN9: MOTOR (5 POSITION THREADED)

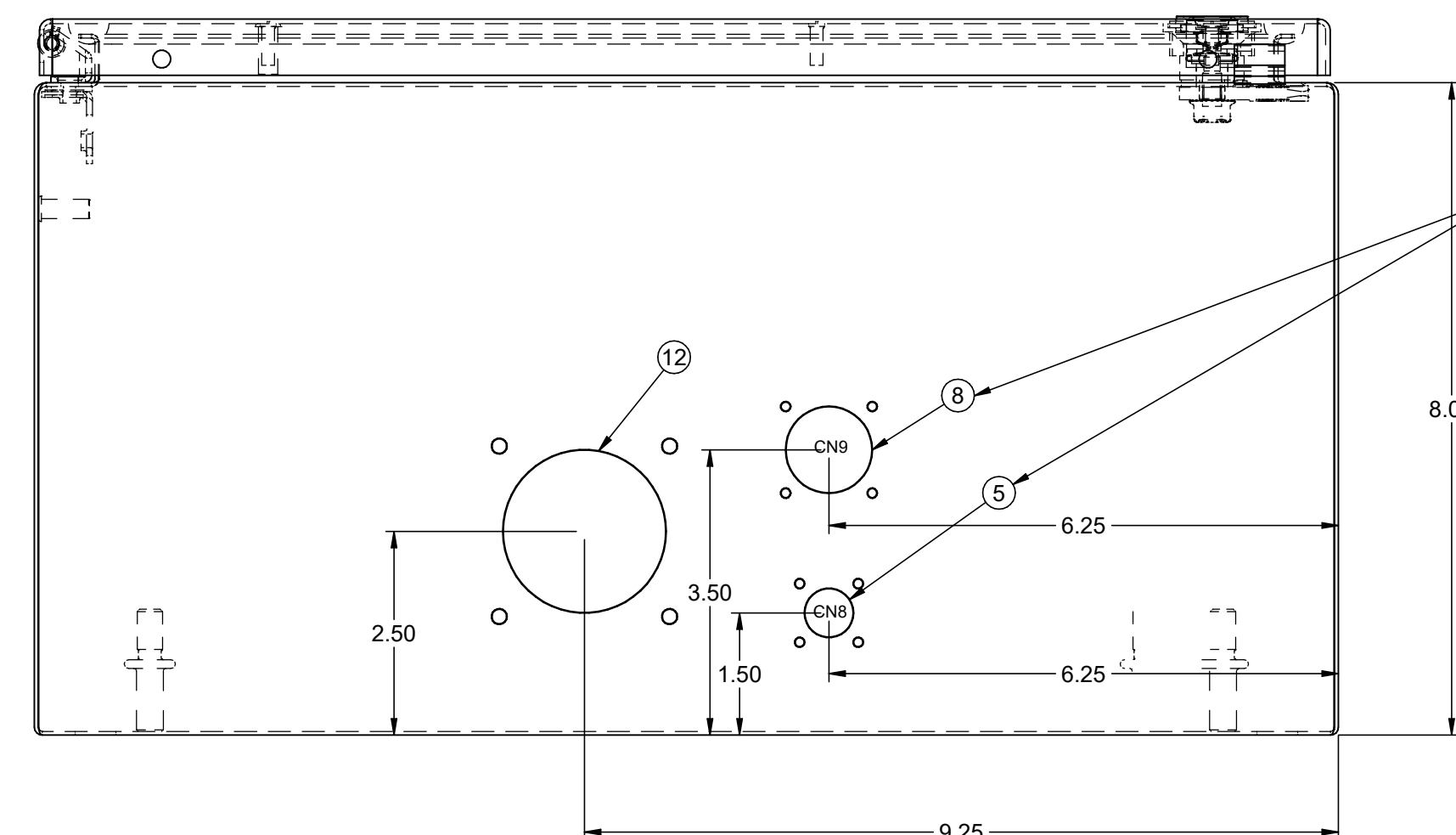
DETAIL C



DETAIL D



EXTERNAL ENCLOSURE
 MOUNTED COMPONENTS



DO NOT INSTALL DUST COVER
 ON BOTTOM CONNECTORS
 (2 PLACES)

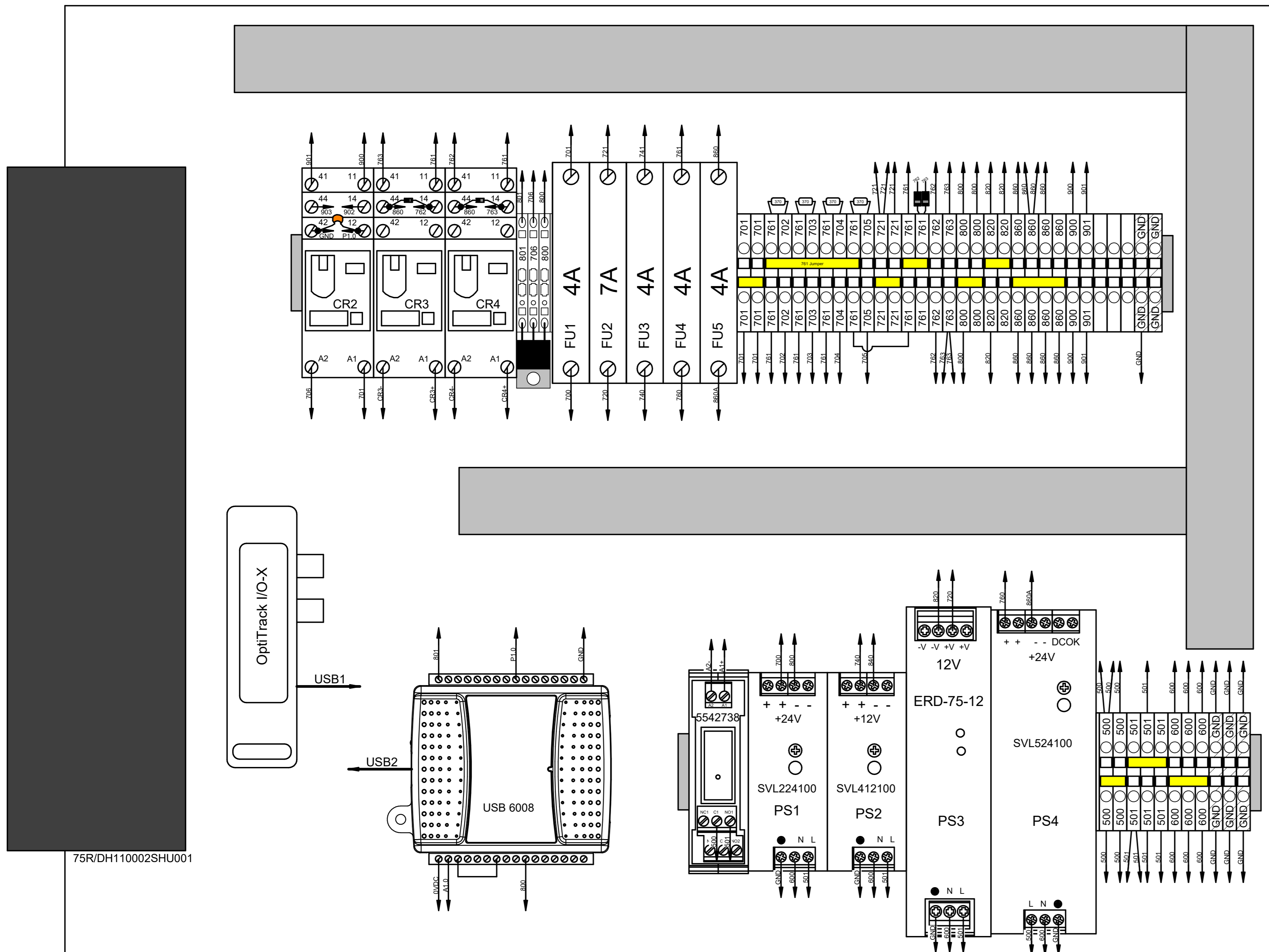
PANEL TO BE UL CERTIFIED AT PANEL SHOP

ITEM	PART No.	DESCRIPTION	QTY	CSA (INT)
1	CP2016	HOFFMAN INTERNAL PANEL	1	
2	NDR-75-12	POWER SUPPLY- 12VDC @ 6.3A (MEANWELL)	1	INT
3	SVL524100	POWER SUPPLY- 24VDC @ 5A (SOLA)	1	INT
4	74R/DH110002SHU001	SHUTTLE DH110, I3 EMBEDDED ROADMAP, 4GB RAM, 320GB SSD, WIN. 7	1	
5	USB-6008	NI USB-6008 DAQ DEVICE	1	
6	D2RF2T1	RELAY 24VDC COIL, 10A, DPDT (EATON)	3	INT
	D2PAL	RELAY SOCKET (EATON)	3	INT
	PWCD24	RETAINING CLIP FOR RELAYS		INT
7	INCLUDED WITH CAMERA	NATURAL POINT CAMERA I/O MODULE (INCLUDED WITH V120 TRIO)	1	
8	5542738	5VDC RELAY (COIL), 230VAC CONTACT RATING (PHEONIX)	1	INT
9	XBUT25	TERMINAL BLOCK WHITE/ GRAY(EATON)	37	INT
10	XBUT25PE	TERMINAL BLOCK GROUND (EATON)	5	INT
11	PT1.5/S	TERMINAL BLOCK (PHEONIX)	3	INT
12	IPA126N10N3 G	TRANSISTOR (INFINEON)	1	
13	SVL412100	POWER SUPPLY- 12VDC @ 4A (SOLA)	1	INT
14	SVL224100	POWER SUPPLY- 24VDC @ 2.1A (SOLA)	1	INT
15	XBUT6FBNL24	FUSEHOLDER TERMINAL BLOCK (EATON)	4	INT
16	GDL4	FUSE 4 AMP TIME DELAY (FERRAZ)	3	INT
17	GDL7	FUSE 7 AMP TIME DELAY (FERRAZ)	1	INT
18	MUR420	DIODE 4A, 200V (RECTRON)	4	
19	K104K15X7RF53L2	CAPACITOR 100nF, 5VDC (VISHAY)	1	
20	H8365RB5A	RESISTOR 365OHM, 0.25W (TE CONNECTIVITY)	4	
21	C1LG6	RACEWAY COVER (PANDUIT)	3FT	INT
22	F1X2LG6	RACEWAY 1 X 2 GREY DUCT, NARROW FINGER (PANDUIT)	3FT	INT

*ITEMS TO BE PICKED AT DISCRETION OF PANEL SHOP, ITEMS WITH CSA (INT) MUST MEET CSA STANDARD

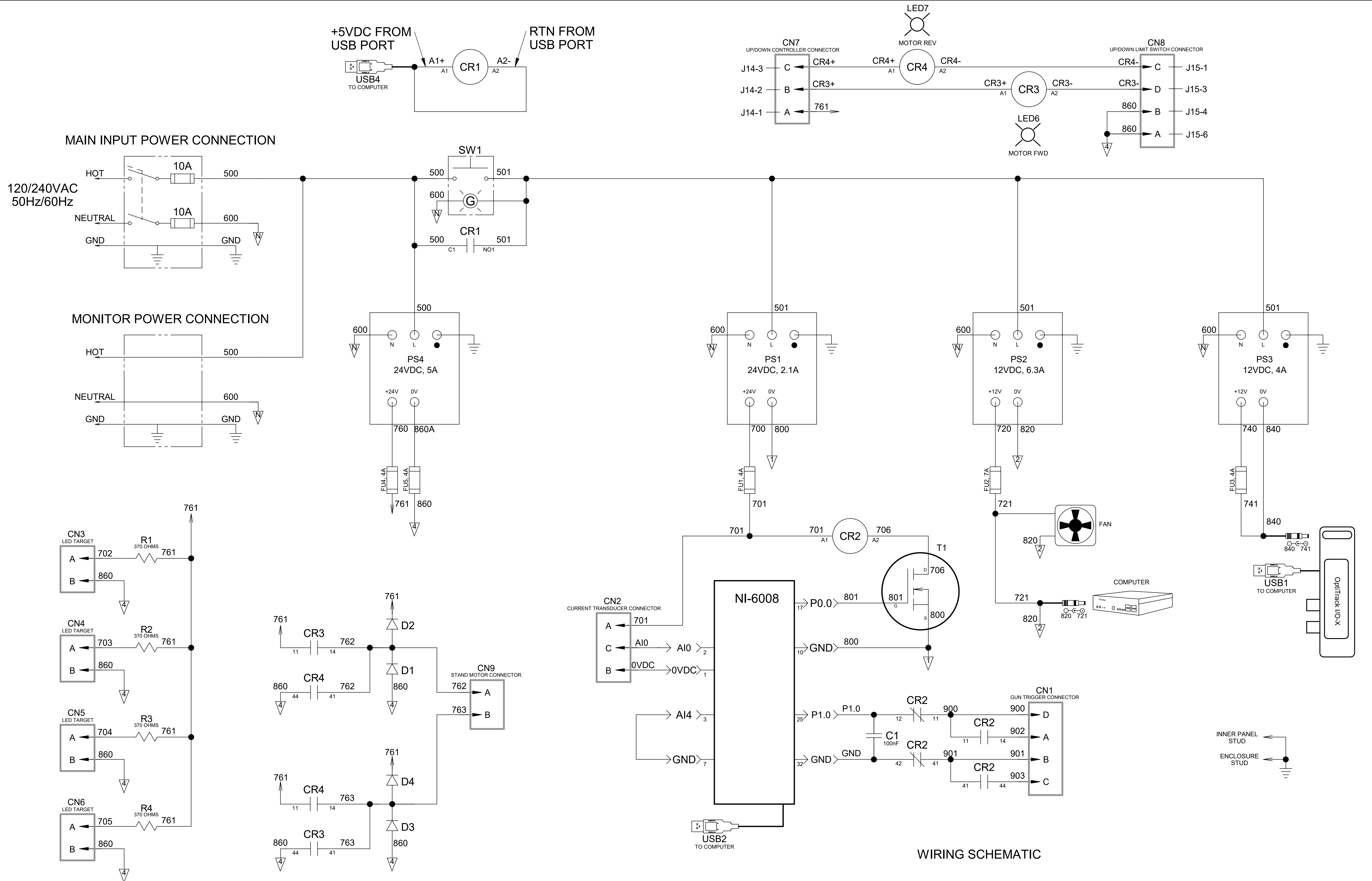
ITEM TO HAVE JP2 JUMPER REMOVED BY MANUFACTURER

NOTE TO PANEL SHOP
 -PANEL SHOP CAN LAYOUT PANEL AS REQUIRED TO ACCOMMODATE ALL COMPONENTS
 -ALL WIRES AND TERMINAL BLOCKS TO BE LABELED
 -VGA AND CAMERA CABLE TO BE ROUTED SHORTEST DISTANCE FROM TERMINATION OUT TO ROXTEC
 -ENCLOSURE DOOR AND BACK PANEL TO BE WIRED TO EARTH GROUND STUD ON ENCLOSURE



INTERNAL COMPONENT LAYOUT

ALL COMPONENTS TO BE ROHS COMPLIANT

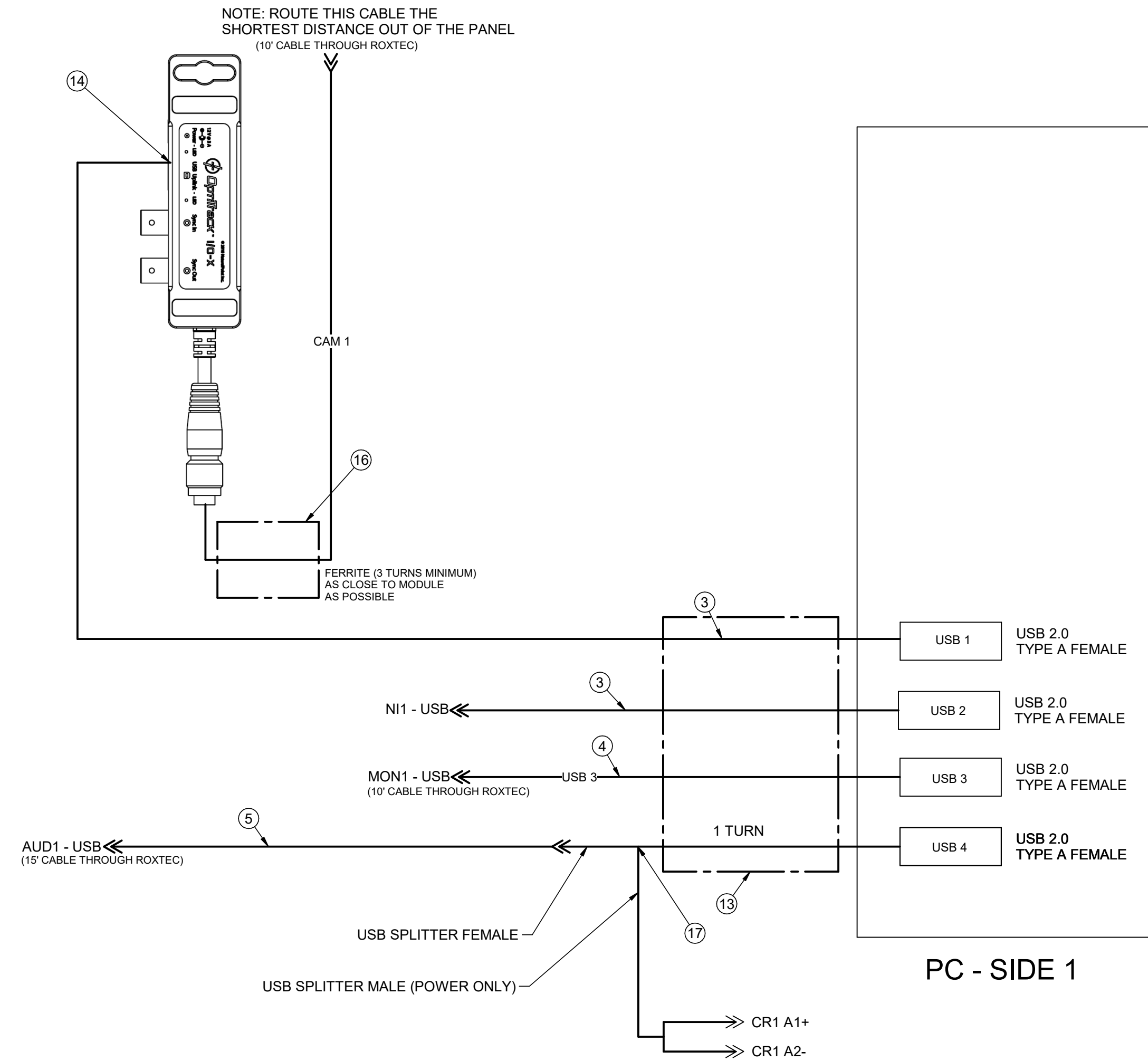


WIRING SCHEMATIC

ALL COMPONENTS TO BE ROHS COMPLIANT

- N.A. PLACE FOAM BETWEEN COMPUTER AND TOP OF ENCLOSURE
- N.B. WHEN ITEM 16 IS USED, ALWAYS USE IN SETS OF THREE. TAPE THREE OF THESE TOGETHER IN LINE AND THEN PASS CABLES THROUGH
- N.C. THREE (3) OF ITEM 16 CAN BE REPLACED WITH ONE (1) FAIR-RITE 0431176451 IF NEEDED
- N.D. DO NOT USE ONE PIECE SPLITTER. PART SHOULD BE A PLUG WITH TWO FEMALE CONNECTORS AS FLYING LEAD CONNECTORS
- N.E. ONE OF THE LEGS OF THE USB SPLITTER TO BE CUT OFF TO EXPOSE TO +5VDC AND GND WIRES, THESE WIRES ARE THEN TERMINATED INTO THE CR1 RELAY

ITEM	PART No.	DESCRIPTION	QTY
* 1	220603BK	MALE USB A TO MALE USB A APPROX 3' (CCT)	2
* 2	101005SBK	ETHERNET MALE TO MALE APPROX 7' (CCT)	2
* 3	220203BK	MALE USB A TO MALE USB B APPROX 2' (CCT)	2
* 4	220215BK	MALE USB A TO MALE USB B 15' (BLACK) (CCT)	1
* 5	220015BK	MALE USB A TO FEMALE USB A 15' (BLACK) (CCT)	1
* 6	X3VHD6E	MALE HDMI TO MALE HDMI APPROX 6' (COMPREHENSIVE CON.)	1
* 7	FS4CT15MF	MALE TO FEMALE STEREO CABLE 15' (BLACK) (MCM)	1
* 8	CTLF3VGAMM10	MALE TO MALE VGA CABLE 10' (BLACK) (L-COM)	1
9	DP2VGA2	MALE DISPLAY PORT TO FEMALE VGA ADAPTOR (STARTECH)	1
10			
N.D. * 11	BE201317	1X MALE TO 2X FEMALE 3.5MM AUDIO SPLITTER (STARTECH)	1
* 12	501003	MALE TO FEMALE STEREO CABLE APPROX 3' (CCT)	1
13	443164151	CLAMP ON CORE 13.4MM ID (FAIR-RITE)	2
14	V120-TR-BP	CAMERA FROM NATURAL POINT INC.	1
N.A.	15	#2 CROSS LINK FOAM 4.00" X 7.00" X 1.25" CLOSED CELL GRAY/BLACK FOAM (POLYETHYLENE)	1
N.B. N.C.	16	431176451 CLAMP ON CORE 0.722" ID (FAIR-RITE)	6
N.E.	17	RR-USB2-2AM-AF-2FT MALE USB A SPLIT TO MALE USB A AND POWER LEADS (USEFIREWIRE)	1



COMP 1

*ITEMS TO BE PICKED AT DISCRETION OF PANEL SHOP, ITEMS WITH CSA (INT) MUST MEET CSA STANDARD

