

PRODUCT INFORMATION

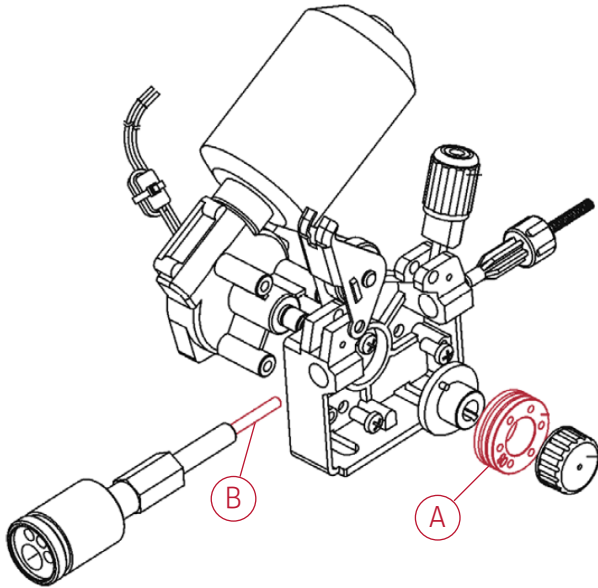
# DRIVE ROLLS OPTIMIZATION

In order to simplify ordering process of wire feeding wear parts and considering on replacing only the necessary parts, **bundle packs are now exploded in single units/components.**



## DRIVE ROLLS FOR 2 DRIVEN ROLLS FEEDER

Conventional-technology compact MIG welders, Speedtec® 180C/200C/215C, Citomig/Prestomig 185MP/210MP, LF22M

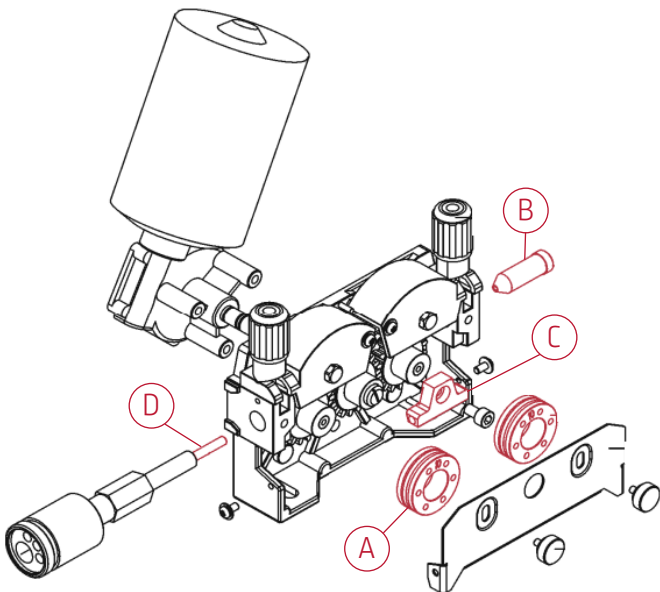


Item	Product	Order	QUANTITY TO ORDER
<b>SOLID WIRES</b>			
A	Drive roll 0.6-0.8	KP14016-0.8	1
	Drive roll 1.0-1.2	KP14016-1.2	1
	Drive roll 1.2-1.6	W000305126	1
	Drive roll 1.4-1.6	W000277009	1
	Drive roll 1.6-2.4	W000315686	1
<b>CORED WIRES</b>			
A	Drive roll 0.9-1.1	KP14016-1.1R	1
	Drive roll 1.2-1.6	KP14016-1.6R	1
	Drive roll 1.4-1.6	W000277011	1
	Drive roll 1.6-2.4	W000266331	1
<b>ALU WIRES</b>			
A	Drive roll 1.0-1.2	W000260185	1
	Drive roll 1.2-1.6	W000260186	1
B	<b>OUTLET</b>	R-2010-006-1R	1



## DRIVE ROLLS FOR 4 DRIVEN ROLLS FEEDER

Conventional-technology compact MIG welders, 320CP series, LF24M/24M PRO, WF24/24S, LF33, PF42/46, DVU & DMU



Item	Product	Order	QUANTITY TO ORDER
<b>SOLID WIRES</b>			
A	Drive roll 0.6-0.8	KP14016-0.8	2
	Drive roll 1.0-1.2	KP14016-1.2	2
	Drive roll 1.2-1.6	W000305126	2
	Drive roll 1.3-1.4	W000277009	2
	Drive roll 1.6-2.4	W000315686	2
<b>CORED WIRES</b>			
A	Drive roll 0.9-1.1	KP14016-1.1R	2
	Drive roll 1.2-1.6	KP14016-1.6R	2
	Drive roll 1.4-1.6	W000277011	2
	Drive roll 1.6-2.4	W000266331	2
<b>ALU WIRES</b>			
A	Drive roll 1.0-1.2	W000260185	2
	Drive roll 1.2-1.6	W000260186	2
B	<b>INLET</b>	0646-233-025R	1
C	<b>INTERMEDIATE</b>	0646-233-023R	1
D	<b>OUTLET</b>	R-2010-006-1R	1



## DRIVE ROLLS FOR 4 DRIVEN ROLLS FEEDER

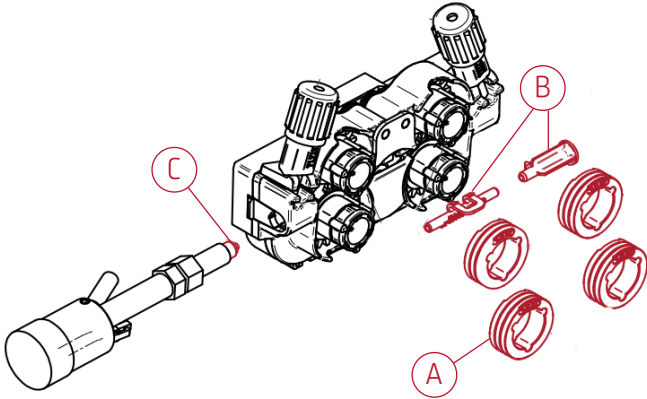
Drive rolls for inverter-based compact MIG welders, LF52/56D, WF52D/56D, PF22/26

Item	Product	Order	QUANTITY TO ORDER
------	---------	-------	-------------------

SOLID WIRES			
A	Drive roll 0.6-0.8	KP14466-0608SW	4
	Drive roll 0.9-1.1	KP14466-0911SW	4
	Drive roll 1.0-1.2	KP14466-1012SW	4
	Drive roll 1.2-1.6	KP14466-1216SW	4
	Drive roll 1.4-2.0	KP14466-1420SW	4
	Drive roll 1.6-2.4	KP14466-1624SW	4

CORED WIRES			
A	Drive roll 1.0-1.2	KP14466-1012CW	4
	Drive roll 1.2-1.6	KP14466-1216CW	4
	Drive roll 1.4-2.0	KP14466-1420CW	4
	Drive roll 1.6-2.4	KP14466-1624CW	4

ALU WIRES			
A	Drive roll 1.0-1.2	KP14466-0810AW	4
	Drive roll 1.2-1.6	KP14466-1216AW	4



Item	Product	LF52/56D	PT i	PF22/26
B	INLET + INTERMEDIATE		Ø0.6-1.6mm : 0744-000-318R Ø1.6-2.8mm : 0744-000-319R	
C	OUTLET	R-2010-006-1R	Ø2mm: D-1829-066-4R Ø3mm: D-1829-066-5R	Ø2mm: R-2013-161-1R Ø3mm: R-2013-167-1R



## DRIVE ROLLS FOR 2 DRIVEN ROLLS FEEDER

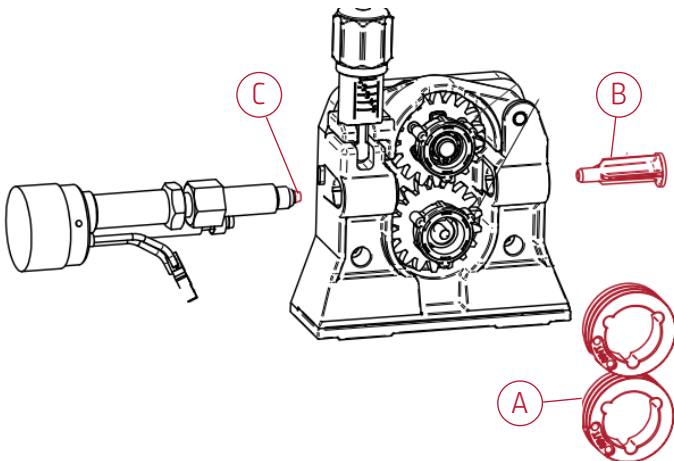
Yardtec® 300C, LF5D

Item	Product	Order	QUANTITY TO ORDER
------	---------	-------	-------------------

SOLID WIRES			
A	Drive roll 0.6-0.8	KP14466-0608SW	2
	Drive roll 0.9-1.1	KP14466-0911SW	2
	Drive roll 1.0-1.2	KP14466-1012SW	2
	Drive roll 1.2-1.6	KP14466-1216SW	2
	Drive roll 1.4-2.0	KP14466-1420SW	2
	Drive roll 1.6-2.4	KP14466-1624SW	2

CORED WIRES			
A	Drive roll 1.0-1.2	KP14466-1012CW	2
	Drive roll 1.2-1.6	KP14466-1216CW	2
	Drive roll 1.4-2.0	KP14466-1420CW	2
	Drive roll 1.6-2.4	KP14466-1624CW	2

ALU WIRES			
A	Drive roll 1.0-1.2	KP14466-0810AW	2
	Drive roll 1.2-1.6	KP14466-1216AW	2



Item	Product	YARDTEC	LF5D
B	INLET	KP14420-INLET/BLUE	
C	OUTLET	R-2010-006-4R	KP14420-EURO

## ORDERING INFORMATION

DIAMETER	DESIGNATION	ITEM NUMBER	ALTERNATIVE 1	ALTERNATIVE 2
0.6-0.8 mm	Aluminium wires	KP14420-U06/08A	KP14466-0810AW	
	Solid wires	KP14016-0.8		
		KP14017-0.8	KP14016-0.8	
		KP14420-V06/08	KP14466-0608SW	
		W000305125	KP14016-0.8	
	KP14150-V06/08	KP14466-0608SW		

DEACTIVATED

ACTIVE

NEW

0.8-1.0	Aluminium wires	KP14420-U08/10A	KP14466-0810AW	
		KP14150-U08/10A	KP14466-0810AW	
	Solid wires	KP14150-V08/10	KP14466-0608SW	KP14466-1012AW
		KP14016-1.0	KP14016-0.8	KP14016-1.2
		KP14017-1.0	KP14016-0.8	KP14016-1.2
		KP14420-V08/10	KP14466-0608SW	KP14466-1012SW
		W000267598	KP14016-0.8	KP14016-1.2
KP10344-1.0	KP14016-0.8	KP14016-1.2		

0.9-1.1	Cored wires	KP14016-1.1R		
		KP14017-1.1R	KP14016-1.1R	
		KP14420-V09/11R	KP14466-0911CW	
	Solid wires	KP14150-V09/11	KP14466-0911SW	
KP14420-V09/11		KP14466-0911SW		
0.9-1.2	Cored wires	W000277010	KP14016-1.1R	

1.0-1.2 mm	Aluminium wires	W000260185		
		KP14016-1.2A	W000260185	W000277622
		KP14017-1.2A	W000260185	W000277622
		KP14420-U10/12A	KP14466-1216AW	
		KP10344-1.2A	W000260185	W000277622
	Cored wires	KP14150-U10/12A	KP14466-0810AW	KP14466-1216AW
		KP14420-V10/12R	KP14466-1012CW	
		KP14150-V10/12R	KP14466-1012CW	
	Solid wires	KP14016-1.2		
		KP14017-1.2	KP14016-1.2	
		KP14420-V10/12	KP14466-1012SW	
		W000267599	KP14016-1.2	W000305126
		KP10344-1.2	KP14016-1.2	W000305126
	KP14150-V10/12	KP14466-1012SW		

1.2-1.6 mm	Aluminium wires	W000260186		
		KP14017-1.6A	W000260186	W000277623
		KP14150-U12/16A	KP14466-1216AW	
	Cored wires	KP14016-1.6R		
		KP14017-1.6R	KP14016-1-6R	W000277011
		KP14420-V12/16R	KP14466-1012CW	KP14466-1216CW
		W000266330	KP14016-1.6R	
		KP10344-1.6C	KP14016-1.6R	
		KP14150-V12/16R	KP14466-1216CW	
	Solid wires	KP14017-1.6	KP14016-1.2	W000305126
		KP14420-V12/16	KP14466-1216SW	
		KP10344-1.6	W000305126	
		KP14150-V12/16	KP14466-1216SW	

1.4-1.6 mm	Cored wires	W000277011		
	Solid wires	W000277009		

1.4-2.0 mm	Cored wires	KP14150-V14/20R	KP14466-1420CW	
	Solid wires	KP14150-V14/20	KP14466-1420SW	

1.6-2.4 mm	Cored wires	W000266331		
		KP14150-V16/24R	KP14466-1624CW	
	Solid wires	KP14150-V16/24	KP14466-1624SW	
		W000315686		