

BS Robot Coil



HARRIS PRODUCTS[®]



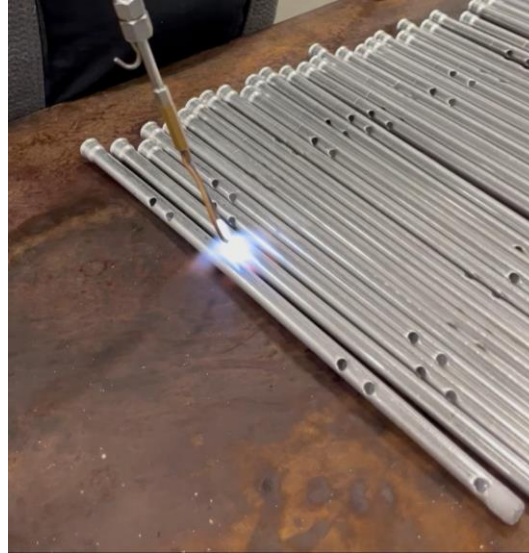
Patent US 10, 265, 791 B1



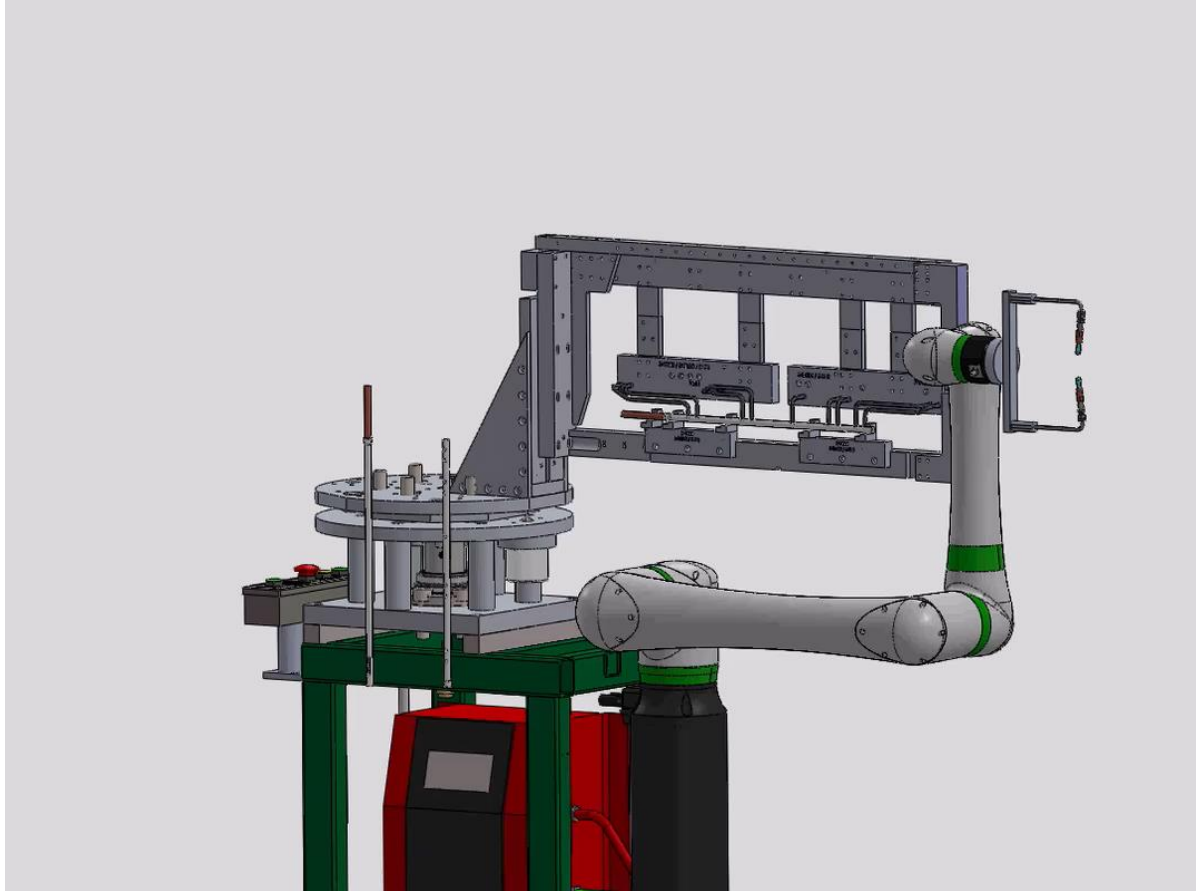




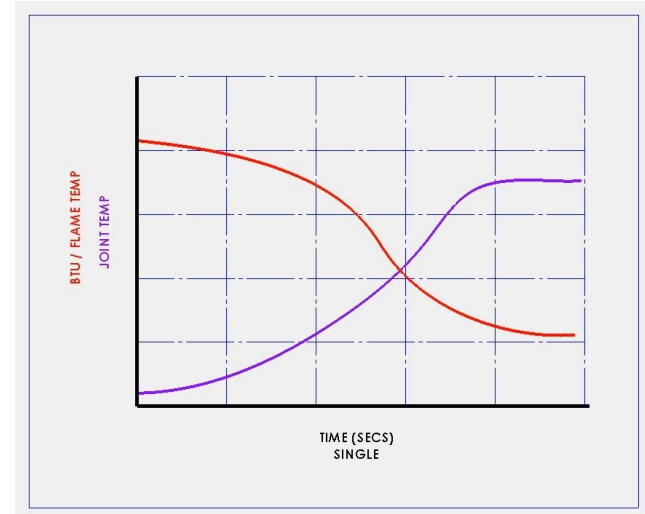
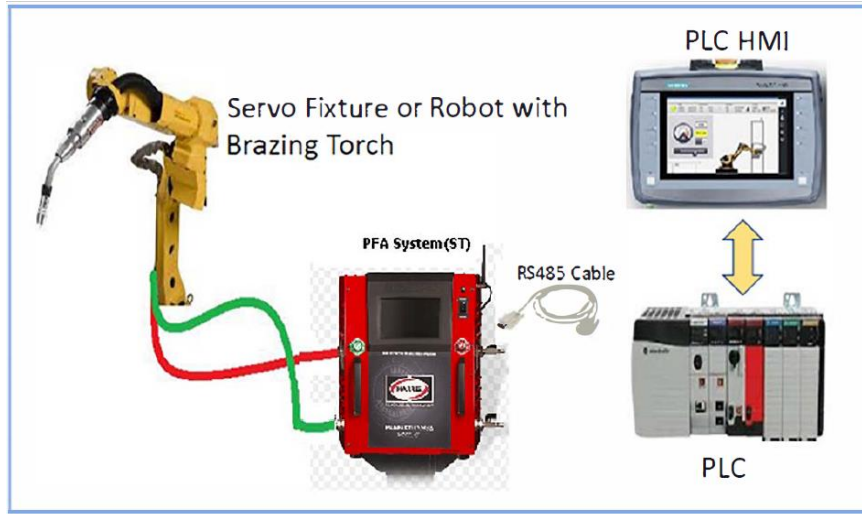
Spun End Brazing



Thermal Degreasing



Custom Torch Tip Design and Integration of Perfect Flame Mass Flow Controller to Control Brazing Temperatures



Or contact your local Lincoln Electric Representative



HARRIS PRODUCTS®