

INVERTEC® PC208 & PC210

Spare Parts.....	1
Figure A: Machine Assembly	2
Electrical Schematic.....	3
CODE: 50684, 52074	3
CODE: 50671, 50672	4
LC25	5
LC Circle Kit (optional).....	5
Torch Dimensions.....	6



Spare Parts

SP50684/52074/50671/50672 REV03
12/22

ASSEMBLY PAGE NAME			Machine Assembly					
CODE NO.:	K NO.:	FIGURE NO.:	A					
50684	K12037-1	INVERTEC® PC208 CE	1					
52074	K12037-2	INVERTEC® PC208 AUS	2					
50671	K12038-1	INVERTEC® PC210 CE	3					
50672	K12038-2	INVERTEC® PC210 AUS	4					

*items highlighted in bold are recommended spare parts.

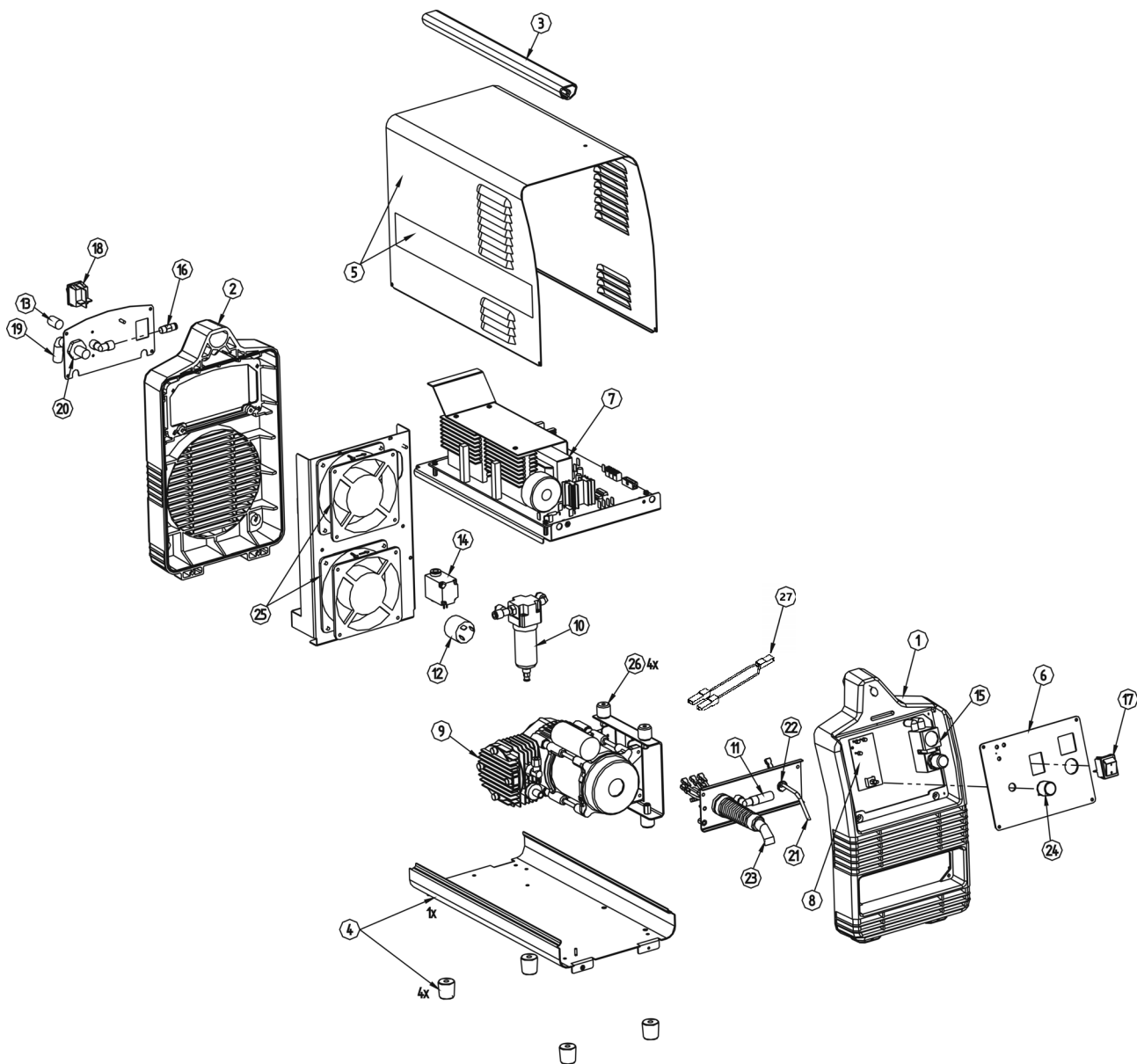


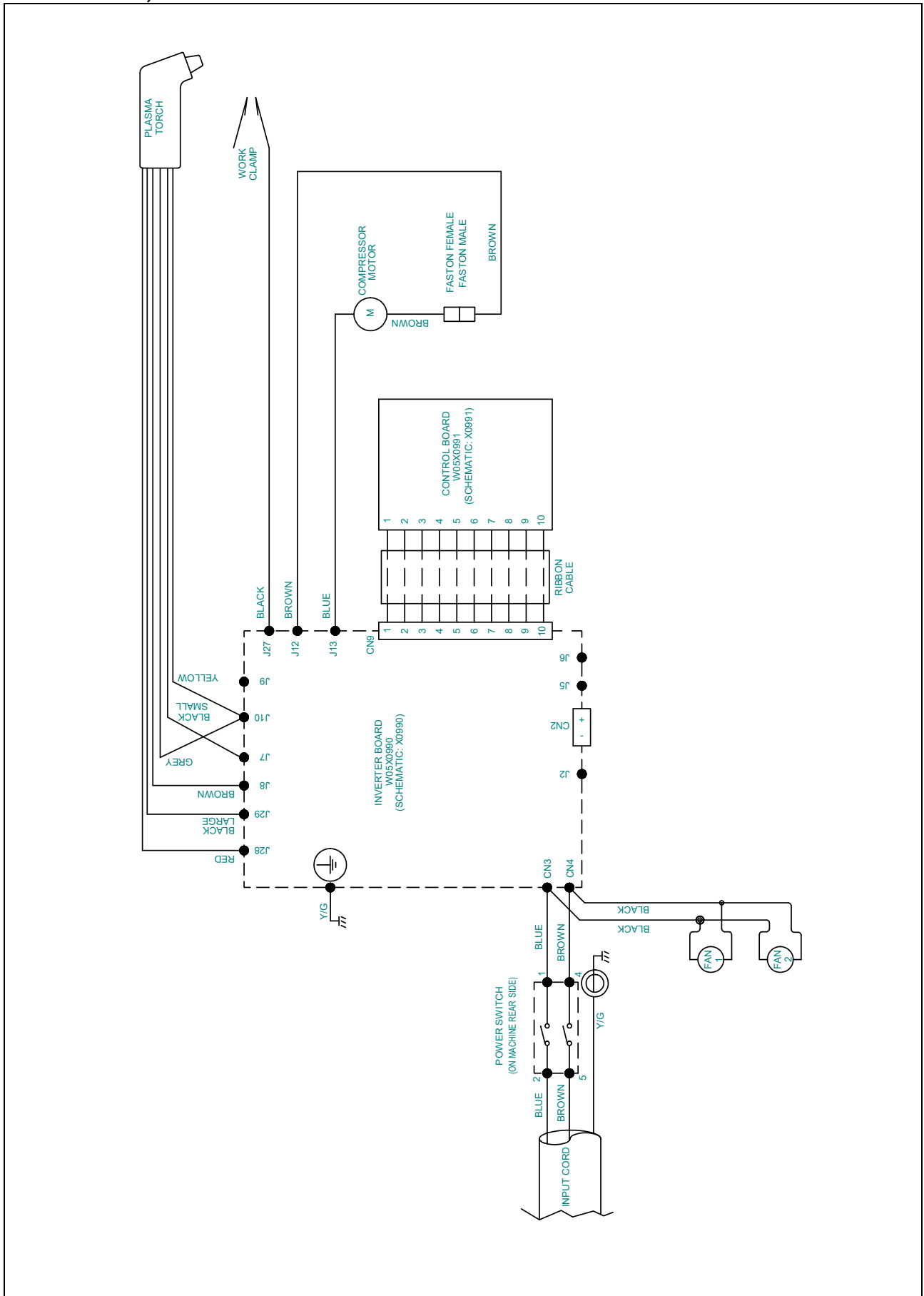
Figure A

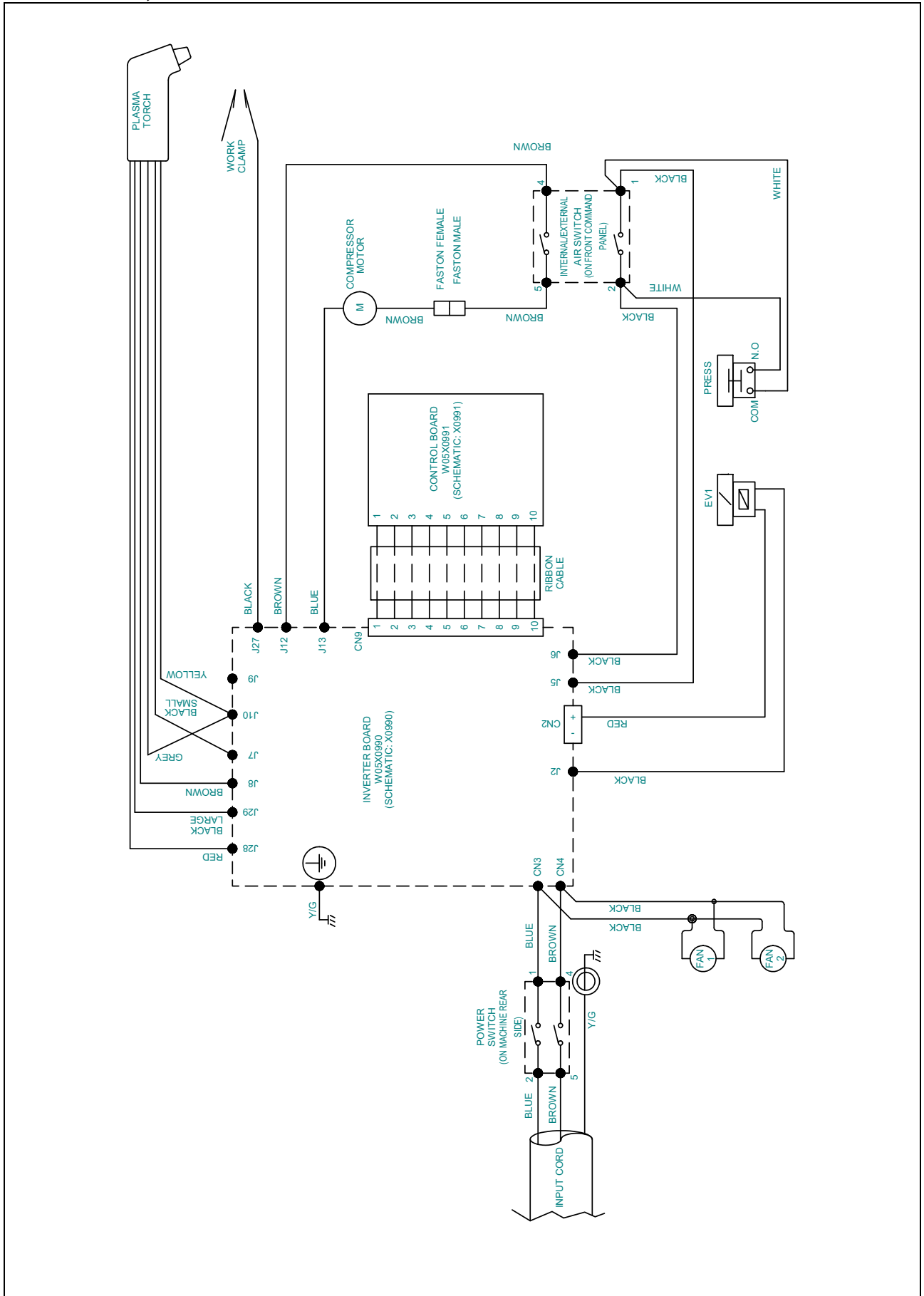
Figure A: Machine Assembly

Item	Description	Part Number	QTY	1	2	3	4	5	6	7
1	FRONT PANEL	W95X0331R	1	X	X	X	X			
2	REAR PANEL	W95X0332R	1	X	X	X	X			
3	HANDLE	W92X0228-2R	1	X	X	X	X			
4	BASE + ANTI-SLIP FOOT	W93X0977R	1	X	X	X	X			
		W8400045R	4	X	X	X	X			
5	WRAPAROUND + SIDE NAMEPLATES	W93X0980R	1	X		X				
		W07X1000R	1	X		X				
	WRAPAROUND + SIDE NAMEPLATES	W93X0980R	1		X		X			
		W07X1012R	1		X		X			
6	CONTROL PANEL + FRONT NAMEPLATE	W93X0986-1R	1	X		X				
		W07X0999R	1	X		X				
	CONTROL PANEL + FRONT NAMEPLATE	W93X0986-2R	1		X		X			
		W07X1011R	1		X		X			
7	INVERTER P.C. BOARD	W05X0990R	1	X	X	X	X			
8	CONTROL P.C. BOARD	W05X0991R	1	X	X	X	X			
9	COMPRESSOR 50Hz	W88X1010-1R	1	X	X	X	X			
10	AIR FILTER (INTERNAL / EXTERNAL AIR)	W8800200R	1	X	X	X	X			
11	AIR FILTER (INTERNAL COMPRESSOR AIR)	W8800206R	1	X	X	X	X			
12	PRESSURE SWITCH	W8800019R	1		X		X			
13	AIR INLET PASS-THROUGH	W8800051R	1		X		X			
14	ELECTROVALVE	W8800202R	1		X		X			
15	PRESSURE GAUGE WITH PRESSURE REGULATOR	W8800203R	1		X		X			
16	SINGLE-DIRECTION AIR VALVE	W8800208R	1		X		X			
17	SWITCH (AIR SELECTION)	W7516224R	1		X		X			
18	SWITCH (POWER)	W7516224R	1	X	X	X	X			
19	INPUT CORD EUROPE	W78X0930R	1	X	X					
	INPUT CORD AUSTRALIA	W78X0812R	1			X	X			
20	CABLE CLAMP (INPUT CORD)	W8400006R	1	X	X	X	X			
21	WORKPIECE CABLE	GRD-060A-06-3MR	1	X	X	X	X			
22	CABLE CLAMP (WORKPIECE CABLE)	W8400005R	1	X	X	X	X			
23	PLASMA TORCH	→ see LC25 page	1	X	X	X	X			
24	KNOB	W8780521R	1	X	X	X	X			
25	FAN	W7200004R	2	X	X	X	X			
26	VIBRATIONS MOUNT	W8400046R	4	X	X	X	X			
27	HARNESS	R-5041-679-1R	1	X	X	X	X			

Electrical Schematic

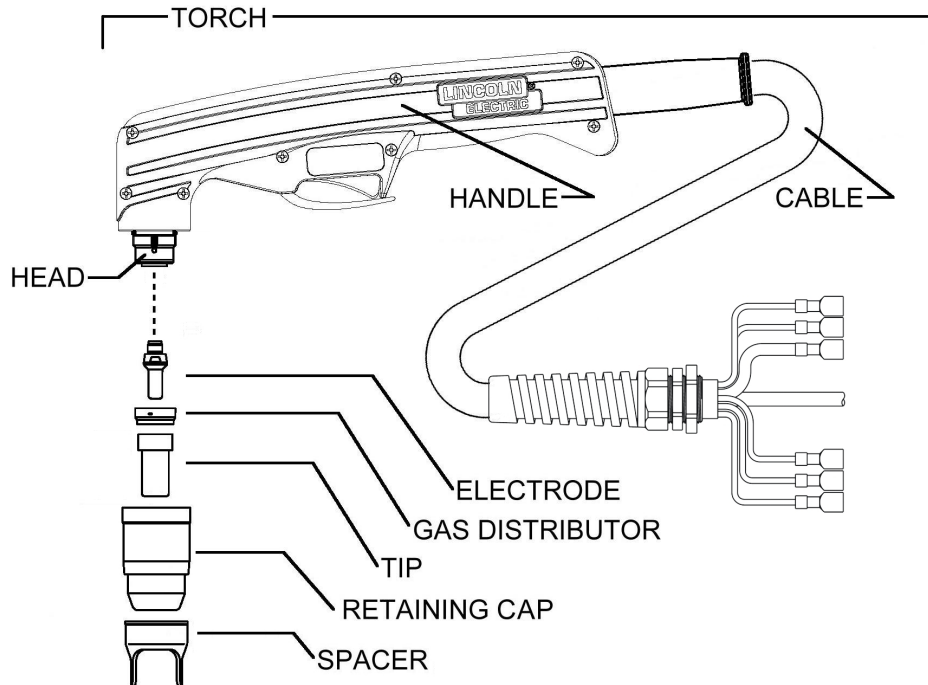
CODE: 50684, 52074




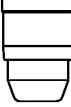





LC25

Torch (Hand 3m) (1pc)	PTH-C25A-SL-3MR
Handle (1pc)	W0300601R
Head (1pc)	W0300615R
Cable (3m) (1pc)	W0300616R



	Electrode (blister 5pcs)	Gas Distr. (blister 3pcs)	Tip (blister 5pcs)	Retaining Cap (blister 1pc)	Spacer (blister 1pcs)
Cutting process					
25A	W03X0893-75A	W03X0893-5R	W03X0893-76A	W03X0893-77A	W03X0893-78R

LC Circle Kit (optional)



W0300699A LC Circle Kit (optional)

Torch Dimensions

