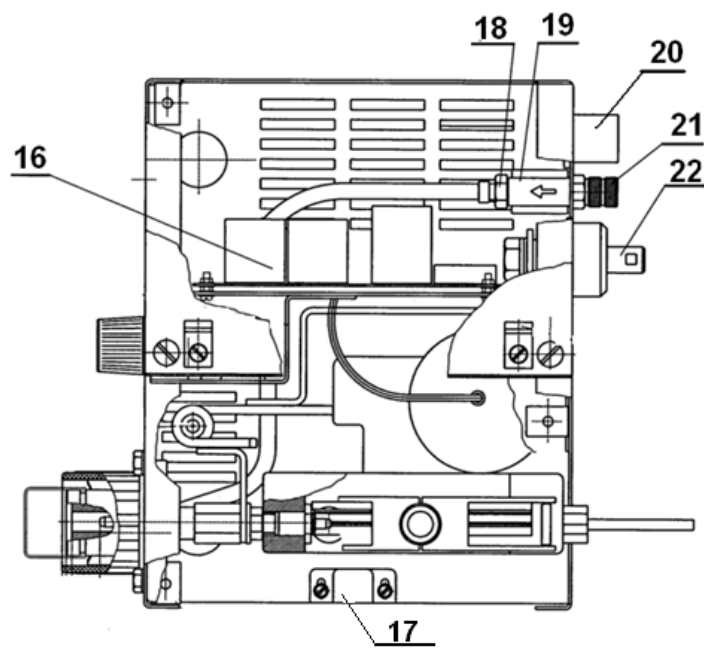
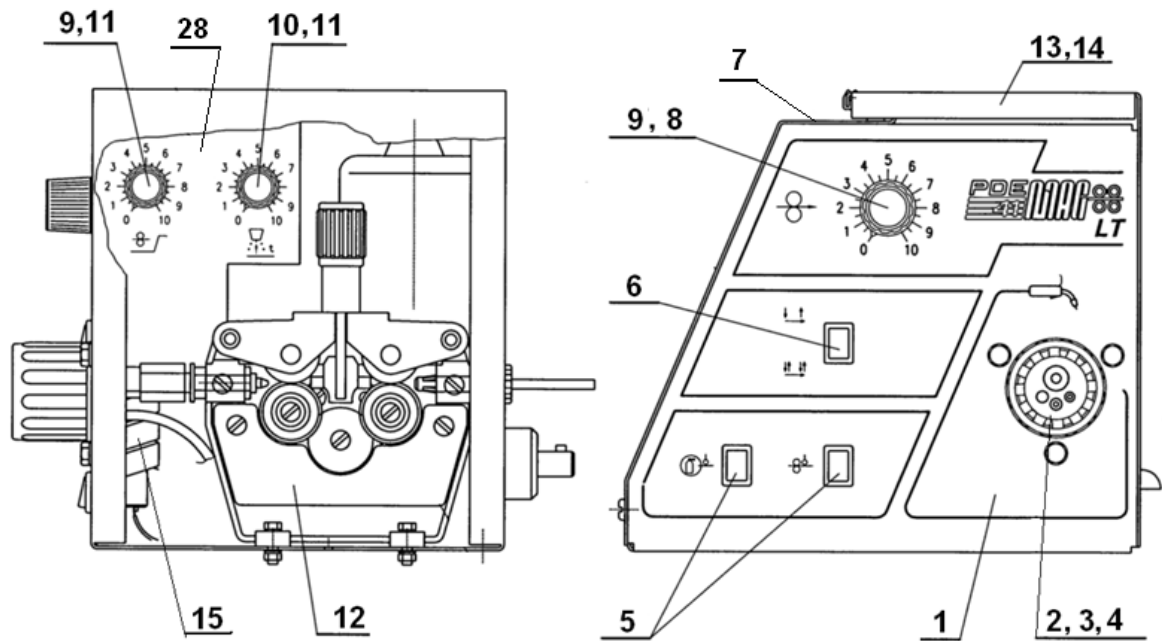


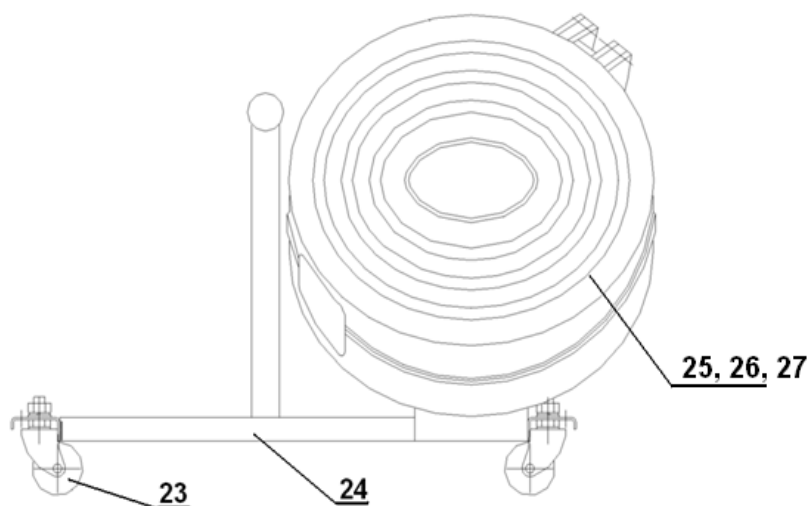
**CODE B18049-1, B18211-1**

ASSEMBLY PAGE NAME			Machine Assembly	Wire feeder Assembly
<b>CODE NO.:</b>	<b>K NO.:</b>	<b>FIGURE NO.:</b>	<b>A</b>	<b>B</b>
-	B18123-1	PDE 41 LT	1	1

**Figure A: Machine Assembly**

POS	DESCRIPTION	ITEM NUMBER	Q-TY	1
1	BASE WITH PRINT PDE-41LT	C-2773-093-1R	1	X
2	EURO SOCKET	C-2985-005-2R	1	X
3	OUTLET GUDIE TUBE 5X2X100	D-1829-066-2R	1	X
4	EURO COVER	B10973-1	1	X
5	SWITCH WP-8.5	1115-270-064R	2	X
6	SWITCH W10	1115-270-031R	1	X
7	LEFT SIDE PANEL	C-2722-067-1/02R	1	X
8	KNOB BIG	1158-910-025R	1	X
9	POTENTIOMETERS 470K	1158-113-282R	2	X
10	POTENTIOMETERS 10K	1158-113-304R	1	X
11	KNOB SMALL	1158-910-043R	2	X
12	WIRE FEEDER + MOTOR-CWF4110	0744-000-162R	1	X
13	RIGHT SIDE PANEL WITH PRINT	D-2721-836-1R	1	X
14	HINGE	D-4736-006-2R	2	X
15	CONDUCTOR-RAIL	C-3218-032-1R	1	X
16	CONTROL P.C. BOARD US-41S	0918-432-060R	1	X
17	MAGNET	0654-610-005R	1	X
18	TUBE COUPLING	R-2013-060-1R	1	X
19	GAS VALVE K2	0972-423-002R	1	X
20	SOCKET 4-PIN	1158-641-032R	1	X
21	QUICK CONNECT COUPLING	0744-000-151R	1	X
22	SOCKET GSm 50-90	D-2985-002-1R	1	X
23	TURNING WHEEL	1029-660-041R	4	X
24	RACK	B-3631-290-1/08R	1	X
25	PLASTIC SHROUD ASSEMBLY	0749-901-006R	1	X
26	SLEEVE	C-3891-001-2R	1	X
27	KNOB (RED)	1361-599-366R	1	X
28	DIVIDER PANEL	D-2721-912-1R	1	X
29	WIRING HARNESS	B-7639-318-1R	1	X




**Wire Feeder Assembly (FIGURE B)**

POS	DESCRIPTION	ITEM NUMBER	Q-TY	1
	WIRE FEEDER + MOTOR	0744-000-162R	1	X
	WIRE FEEDER WITHOUT MOTOR	0646-231-019R	1	X
1	FEED PLATE	0646-231-116R	1	X
2	PRESSURE ARM COMPL.L	0646-231-117R	1	X
3	PRESSURE ARM COMPL.R	0646-231-118R	1	X
4	FIXING ARM COMPL.	0646-231-082R	1	X
5	INLET GUIDE COMPL.	0744-000-193R	1	X
6	INTERMEDIATE GUIDE	0646-231-076R	1	X
7	AXIS PRESURRE ARM	0646-231-120R	2	X
8	GEAR WHEEL ROLL	0646-231-071R	2	X
9	GEAR WHEEL MOTOR	0646-231-070R	1	X
10	AXIS DRIVE ROLL	0646-231-074R	2	X
11	FIXING CAP	0646-231-077R	2	X
12	SPRING PRESSURE ARM	0646-231-110R	2	X
13	INSULATING WASHER	0646-231-111R	2	X
14	METAL COVER	0646-231-122R	1	X
15	KEY GEAR WHEEL	0646-231-079R	2	X
16	FIXING CAP	0646-231-121R	1	X
17	WOODRUFF KEY	0646-231-102R	1	X
18	MOTOR ELVI-42V 90W	1111-722-042R	1	X
19	BRUSH TO ELVI 90W 42V	1111-311-043R	2	X

