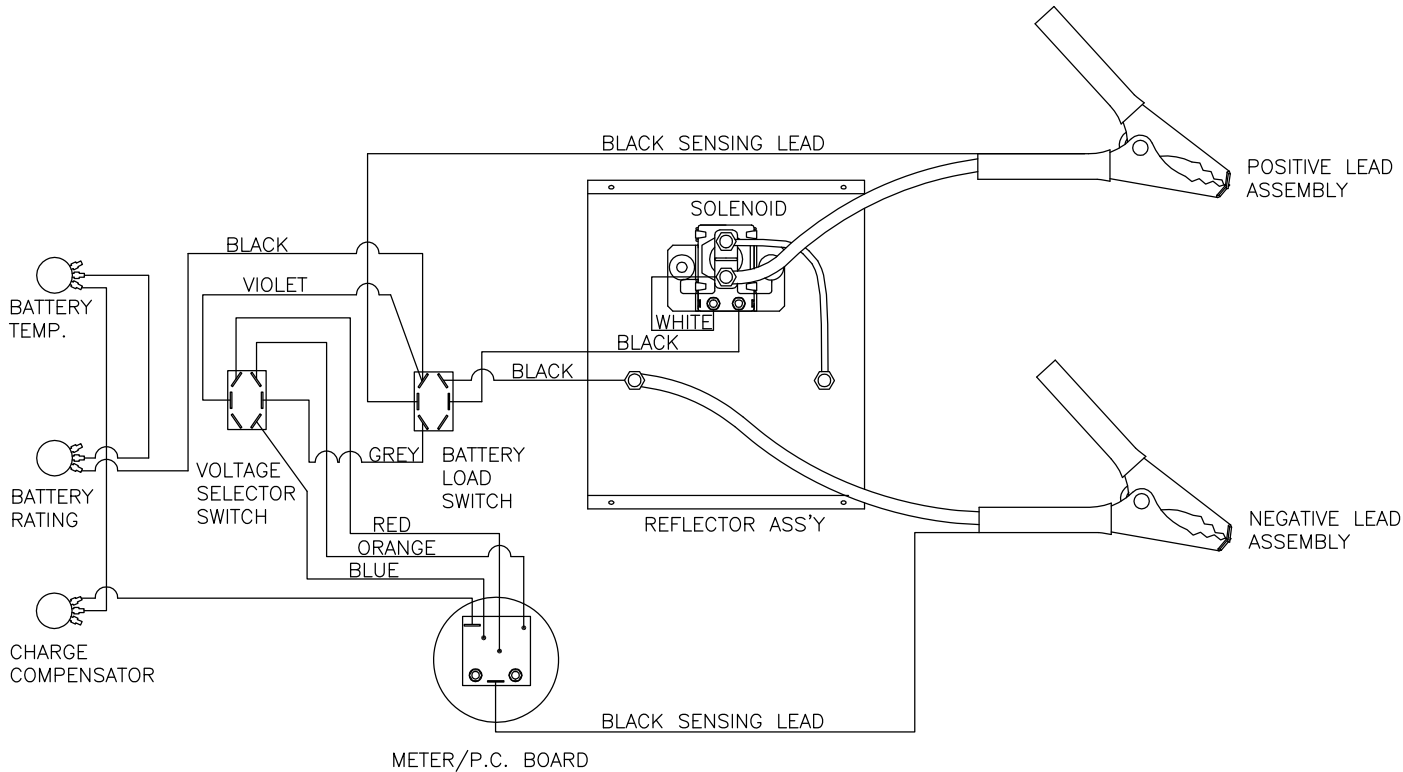


142-005, 88150

REPLACEMENT PARTS LIST 6/12 VOLT BATTERY TESTER MODEL 142-005

ITEM	DESCRIPTION	PART NUMBER
1	RUBBER FOOT (4 PER PKG)	541-031-666
2	BASE (BLACK)	440-315-010
3	LOAD MTG. STUDS W/COIL	245-015-666
4	HEAT REFLECTOR	412-423-666
5	SOLENOID	246-283-666
6	CIRCUIT BOARD/METER ASSY	865-722-666
7	100Ω POTENTIOMETER	246-138-666
8	FRONT PANEL	440-317-020
9	KNOB 1" DIA (2), CHARGE AND TEMPERATURE	246-094-666
10	POSITIVE CABLE W/CLAMPS & STRAIN RELIEF	238-269-666
11	NEGATIVE CABLE W/CLAMPS & STRAIN RELIEF	238-274-666
12	KNOB 1 1/2" DIA (RATING)	246-095-666
13	SWITCH, 6/12 VOLT	246-282-666
14	SWITCH, LOAD, MOMENTARY	246-045-666
15	200Ω POTENTIOMETER	246-137-666
16	300Ω POTENTIOMETER	246-276-666
17	COVER, RED (NOT SHOWN)	440-316-030
	COVER, BLACK (NOT SHOWN)	440-316-040
18	HANDLE (NOT SHOWN)	412-426-010



142-005, 88150

WIRING DIAGRAM