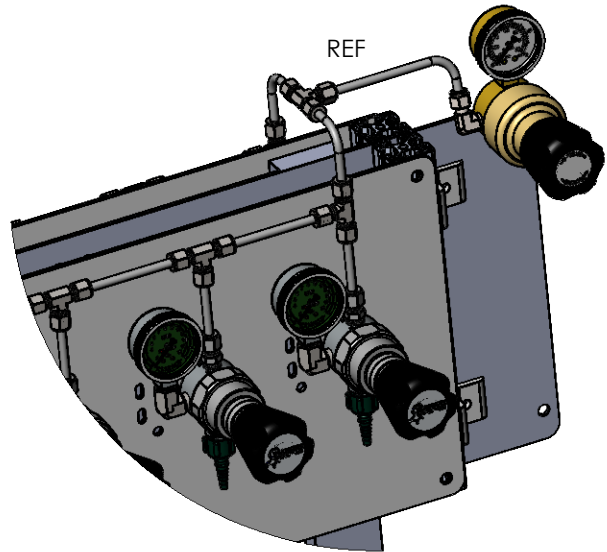
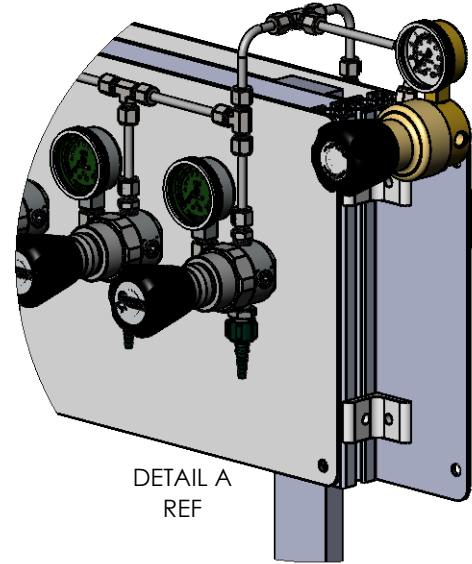




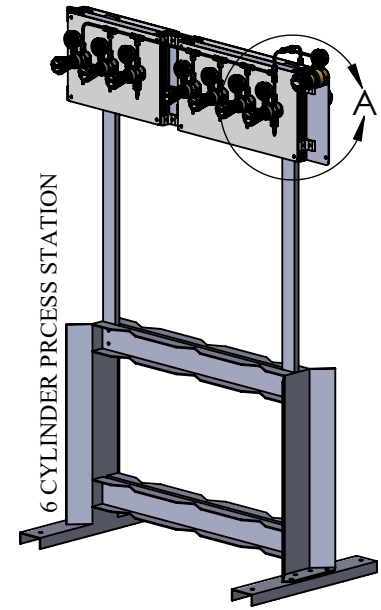
PREPARED FOR: N/A
 PROJECT: MULTI-REGULATOR STATION
 (800) 733-4043 PROMPT 2
 harrisspegas@lincolnelectric.com
 Ordering #: SPPRD03262001DG



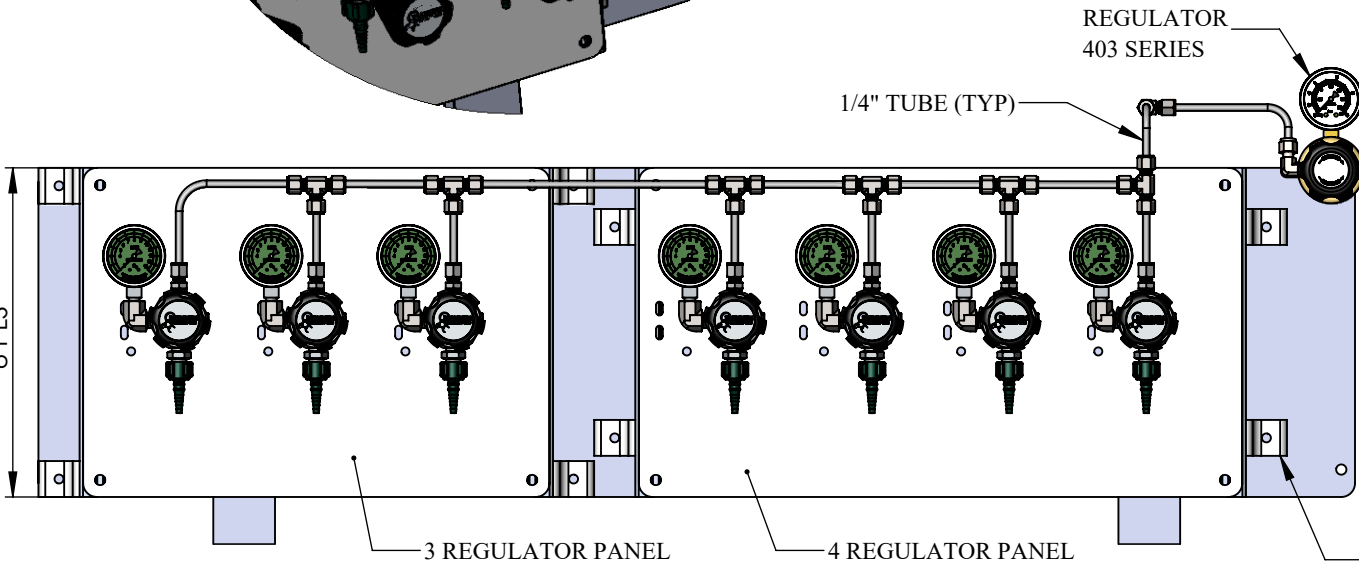
REF



DETAIL A
REF



6 CYLINDER PROCESS STATION



12", 4-SLOT RAIL
8 PLS

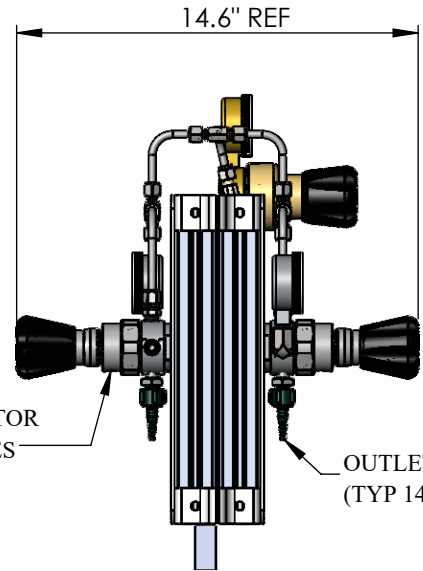
1/4" TUBE (TYP)

REGULATOR
403 SERIES

3 REGULATOR PANEL

4 REGULATOR PANEL

MOUNT FLANGE
16 PLS



14.6" REF

REGULATOR
723 SERIES
14 PLS

OUTLET
(TYP 14 PLS)

ADDITIONAL INFO/ SPECS:

- PROCESS STATION TO BE BOLTED TO FLOOR

Date Created: 03/26/20

Revision Date: _____ Rev: 0

"Copyright 2020. The Harris Product Group.

The drawings above, and copyrights thereto, are the sole property of The Harris Products Group. Any reproduction, distribution, derivative works or creation of parts based thereon without the express written consent of The Harris Products Group is expressly prohibited."

Sign Upon Approval

Customer: _____ P.O.# _____

Approved By: _____ Date Approved: _____

Please fax or email back upon approval, or mark up specific changes and resubmit.
 Fax to (800) 841-3738