

# Step 4

Place water lines and power cable through rubber grommet (Item 2)(3qty) using slits. Figure B.

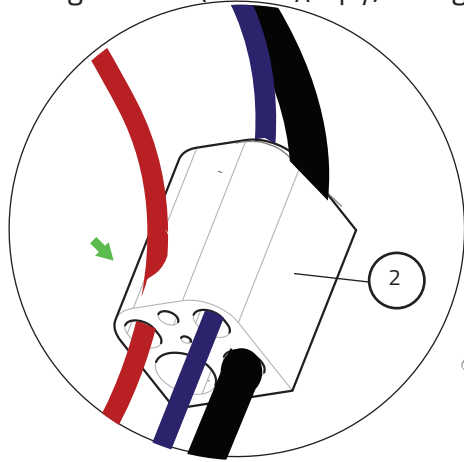
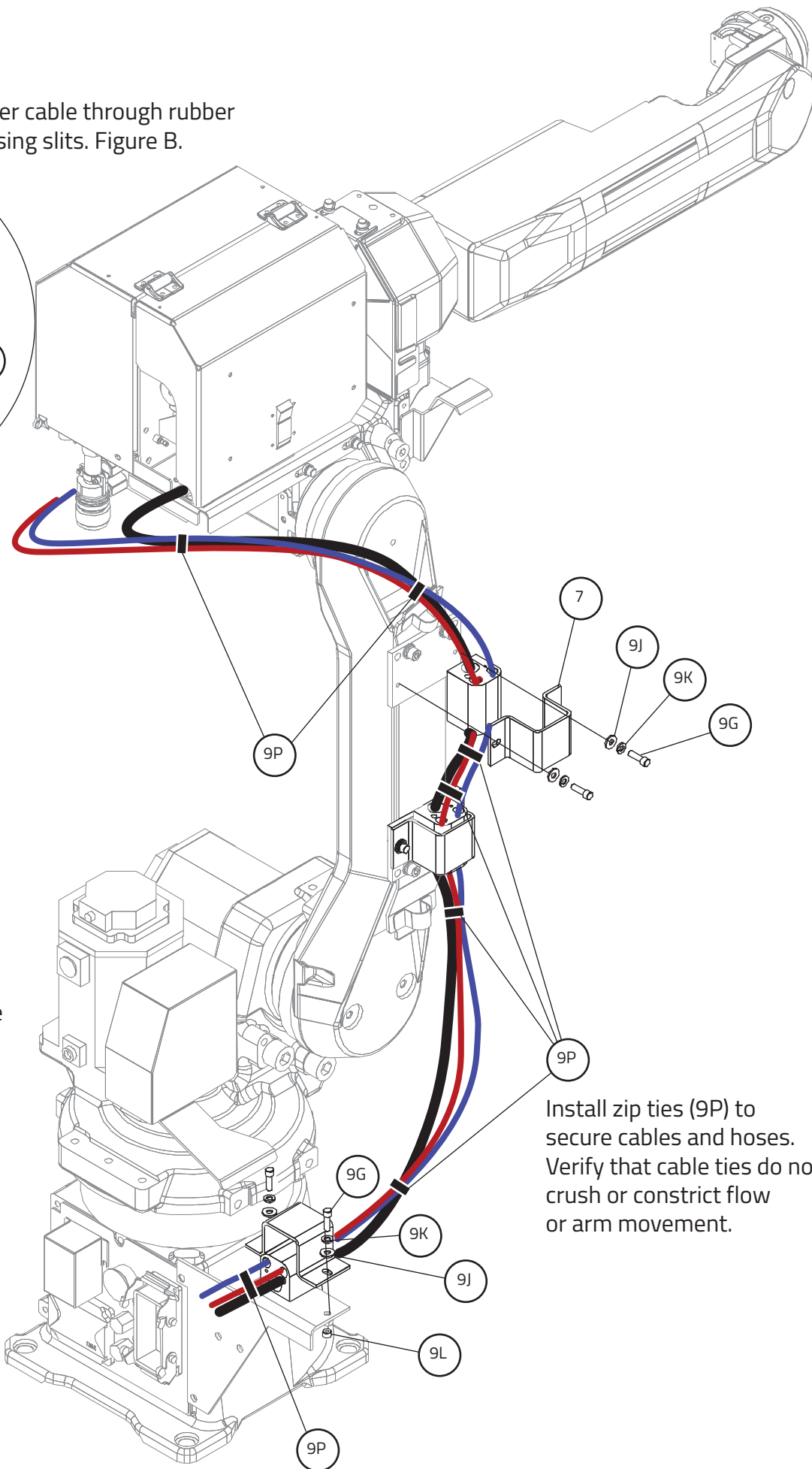


Figure B

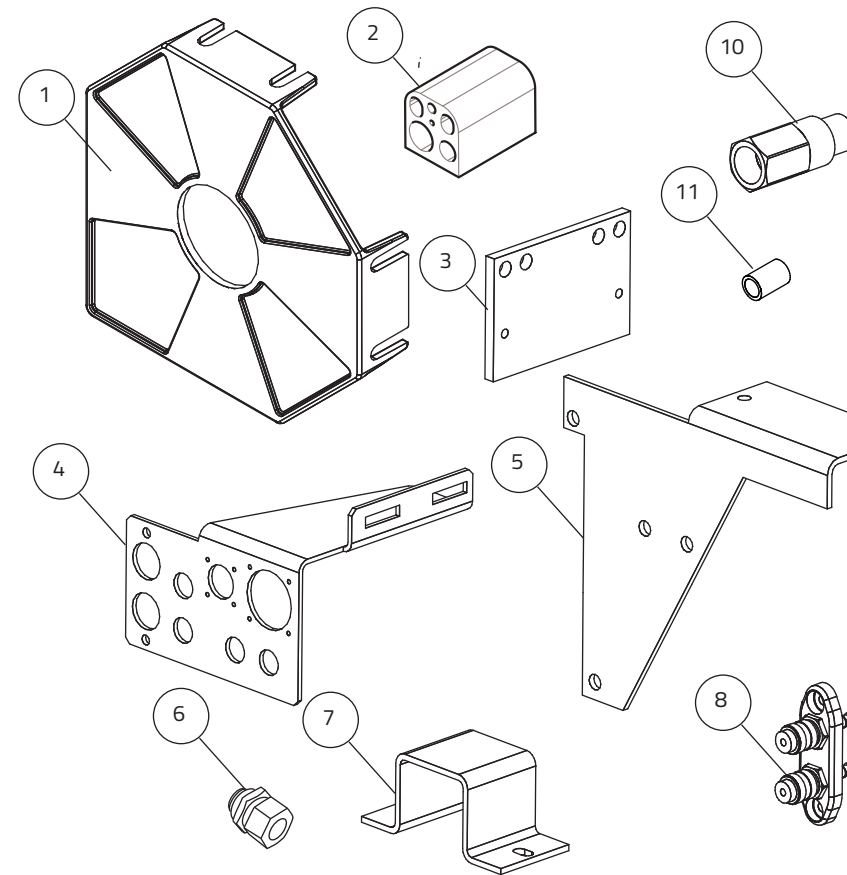


# Step 5

Secure rubber cable holders (Item 7) to previously installed cable brackets (Item 3 & 5) with supplied hardware (Item 9G, 9K, 9J) and 9L)

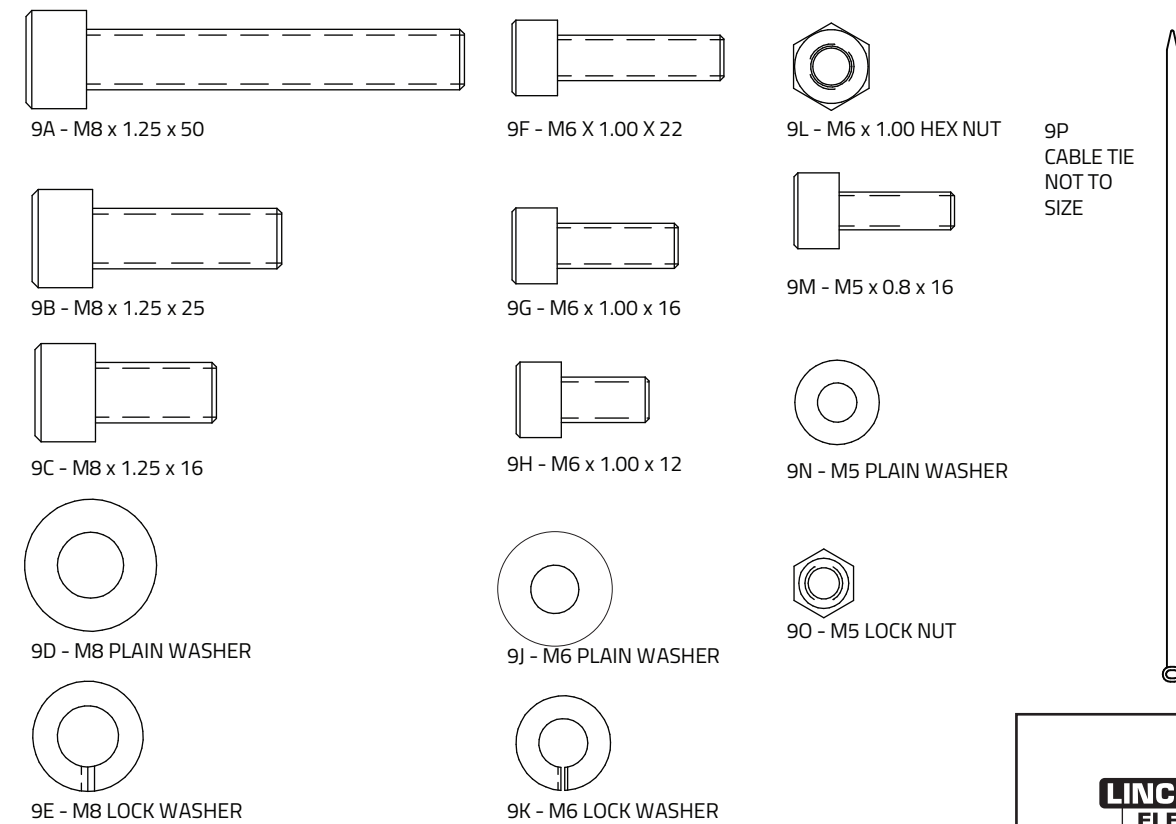
Install zip ties (9P) to secure cables and hoses. Verify that cable ties do not crush or constrict flow or arm movement.

# FANUC ROBOTIC DRESS OUT KIT



Item	Description	Part #	Qty
1	100iC INSULATOR	S23119-1	1
1	120iC INSULATOR	S23119-2	1
2	RUBBER CABLE HOLDER	S31678	3
3	CABLE BRACKET	S31680	2
4	ACCESSORY BRACKET	S21164-239	1
5	CABLE BRACKET	M25711	1
6	GAS FITTING	S22325-140	2
7	CABLE SUPPORT BRACKET	S31682	3
8	WATER CONNECTION KIT	S22428-2	1
9	HARDWARE KIT, includes:	S31245-1	1
9A	M8 X 1.25 X 50 SHCS	T14731-100	4
9B	M8 X 1.25 X 25 SHCS	T14731-101	4
9C	M8 X 1.25 X 16 SHCS	T14731-96	2
9D	M8 PLAIN WASHER	S9262-121	10
9E	M8 LOCK WASHER	E106A-3	6
9F	M6 X 1.00 X 22 SHCS	T14731-102	1
9G	M6 X 1.00 X 16 SHCS	T14731-103	16
9H	M6 X 1.00 X 12 SHCS	T14731-99	4
9J	M6 PLAIN WASHER	S9262-197	20
9K	M6 LOCK WASHER	E106A-2	18
9L	M6 X 1.00 ST. NUT	T14815-3	2
9M	M5 X 0.8 X 16	T14731-94	2
9N	M5 PLAIN WASHER	S9262-136	2
9O	M5 LOCK NUT	T14815-21	2
9P	CABLE TIE	T13770-4	20
10	FEMALE CONNECTOR	T11591-1	2
11	120iC BRACKET SPACER	S31681	4

### Hardware Kit, includes:



**WARNING**



**ELECTRIC SHOCK CAN KILL**



Turn off power to arm and feeder before installing dress out kit. Verify that power is not available to wirefeeder. Only qualified personnel should install Dress Out Kit.

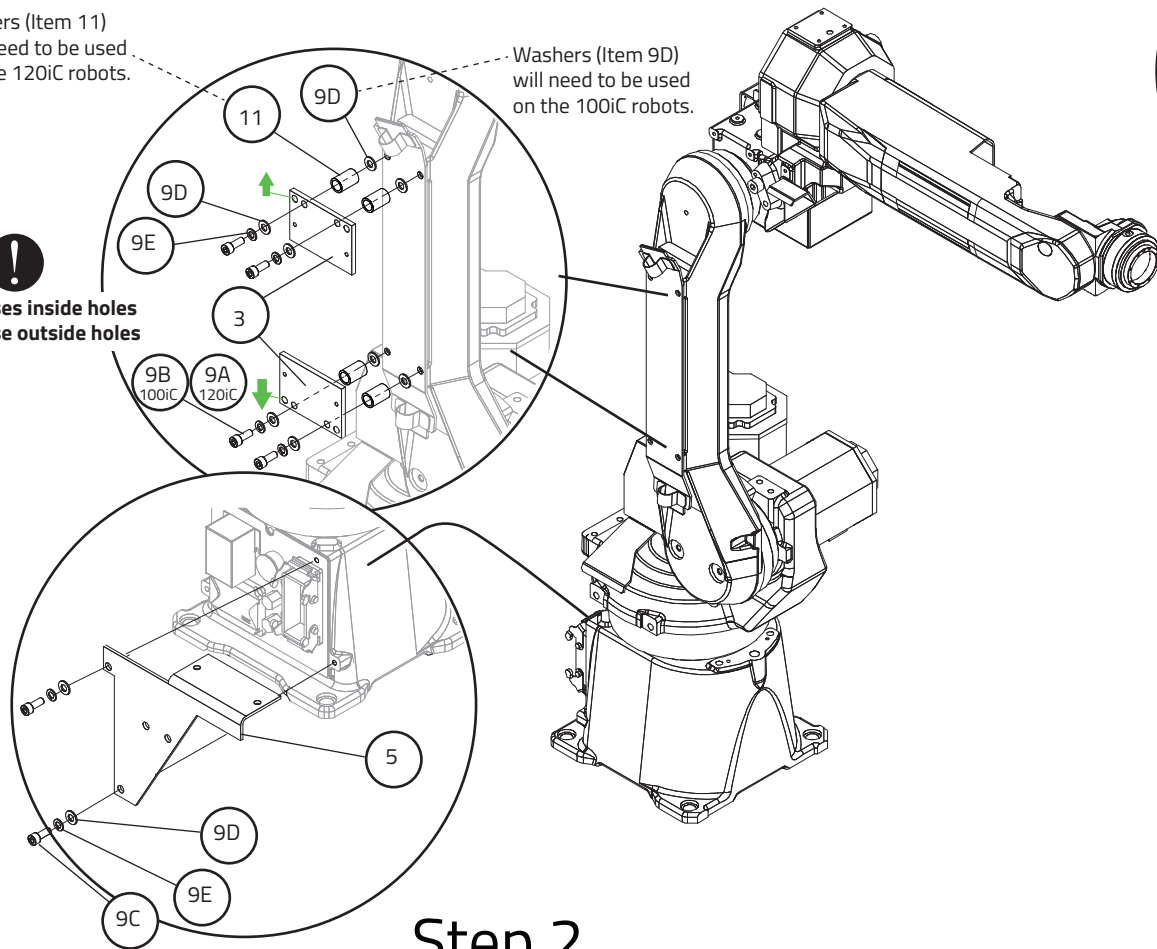
**Step 1**

Attach Cable Brackets (Item 3) (2qty) & Cable Bracket (Item 5)(1qty) to the robot. If no bolts are present, use supplied bolts, lockwashers and plain washers (Items 9B, 9D & 9E for 100iC and Items 9A, 9D, 9E & 11 for 120iC).(4qty)

Spacers (Item 11) will need to be used on the 120iC robots.

Washers (Item 9D) will need to be used on the 100iC robots.

100iC uses inside holes  
120iC use outside holes



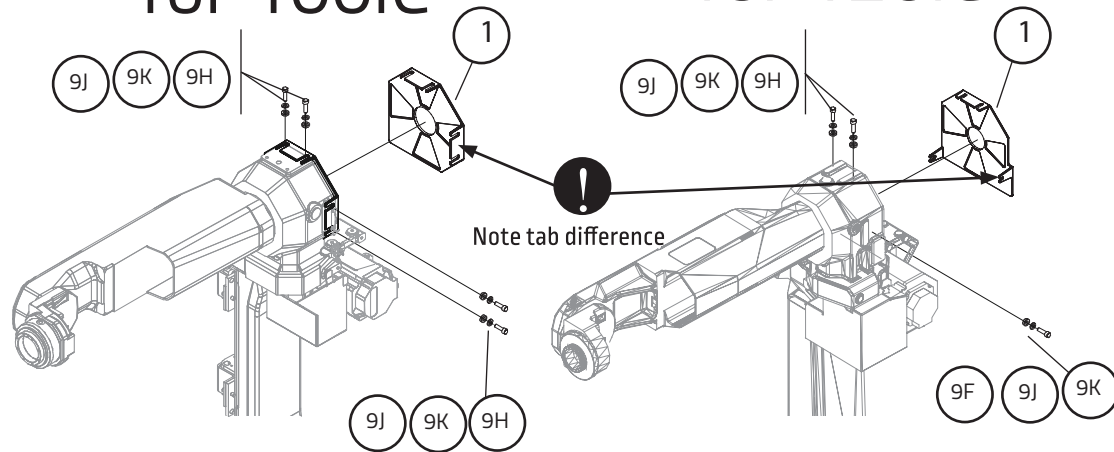
**Step 2**

Attach Insulator.

(Item 1 - S23119-1 for 100iC - S23119-2 for 120iC)(1qty)

for 100iC

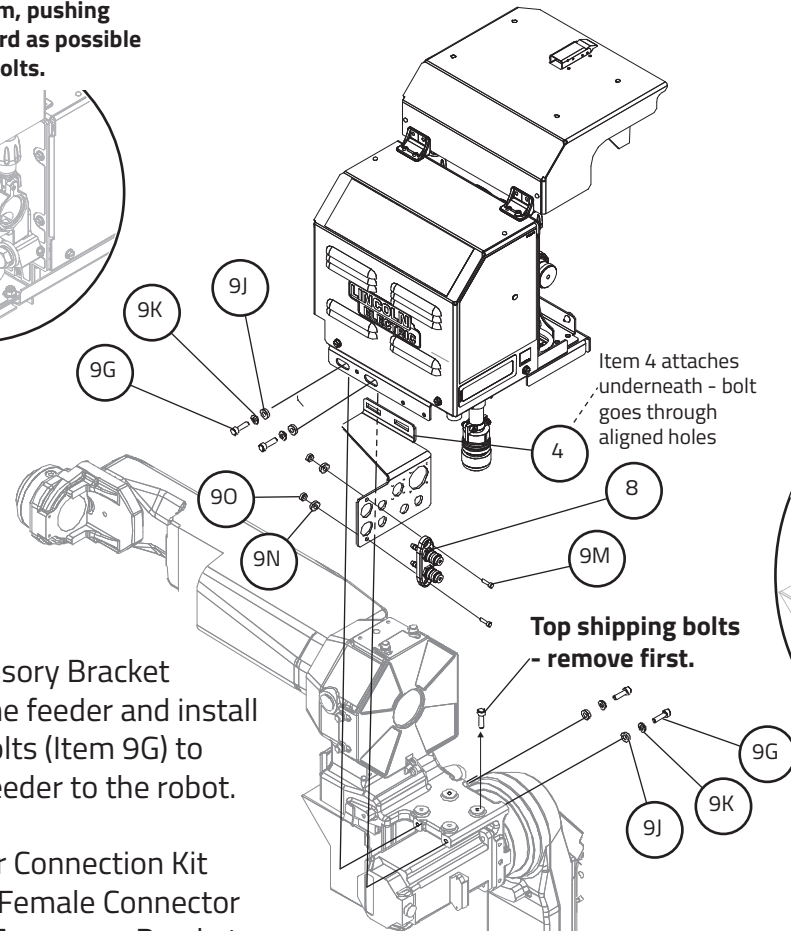
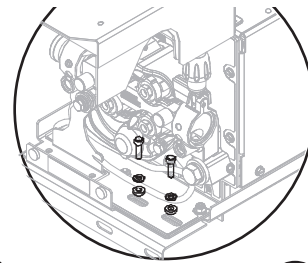
for 120iC



**Step 3: 4R100/4R220 Feeders**

Remove top shipping bolts. Attach feeder to the robot using 2 bolts through the top of the feeder to hold in place. Access to the mounting holes through opened feeder door. Attach 4 side bolts, through Item 4 slots and into arm. Do not tighten bolts until all six bolts are in place to allow for alignment adjustment. See feeder operator manuals for connections.

Remove top shipping bolts first. Attach feeder to arm, pushing feeder as far forward as possible before tightening bolts.

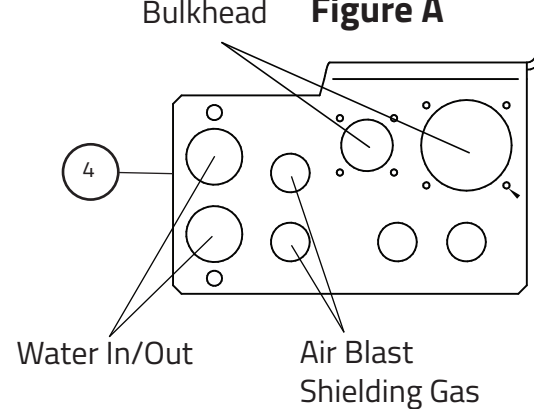


**For 4R220**

Attach Accessory Bracket (Item 4) to the feeder and install remaining bolts (Item 9G) to secure the feeder to the robot.

Attach Water Connection Kit (Item 8) and Female Connector (Item 10) to Accessory Bracket (Item 4) as shown in Figure A. Route hot and cold water lines to Accessory Bracket.

Accessory Bulkhead **Figure A**



**Step 3: Advanced Feeders**

Secure power cable and water lines at the back of the feeder with cable tie through the provided holes in the base or back of the feeder. See feeder operator manuals for connections.

