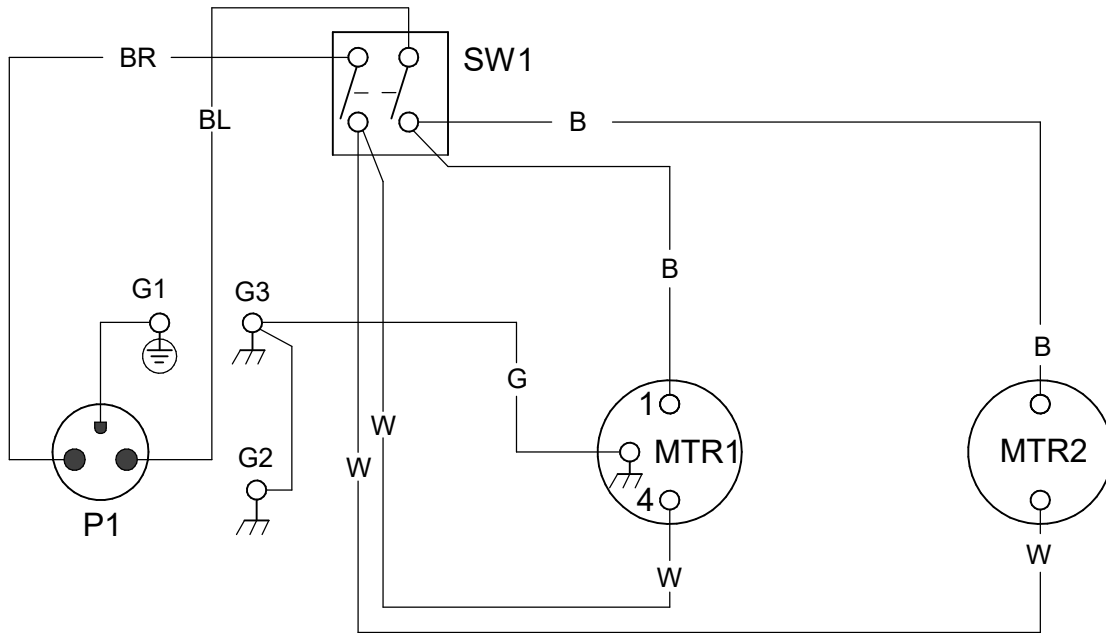



# WATER COOLER WIRING DIAGRAM M20078 REV: C



COLOR CODE: B - BLACK OR GRAY  
 W - WHITE  
 G - GREEN  
 BR- BROWN  
 BL- BLUE

INPUT: 230 V  
  
 50/60 HZ

G1 - FAN SHROUD GROUND CONNECTION(CUSTOMER GROUND)  
 G2 - BASE GROUND CONNECTION  
 G3 - CHASSIS GROUND CONNECTION (FAN SHROUD)  
 P1 - INPUT POWER PLUG  
 SW1 - POWER SWITCH  
 MTR1 - PUMP MOTOR  
 MTR2 - FAN MOTOR

**LINCOLN**<sup>®</sup>  
**ELECTRIC**