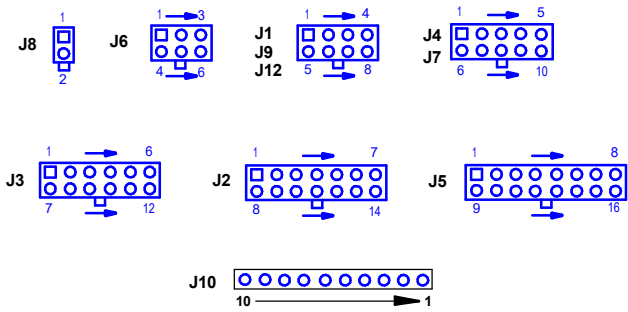


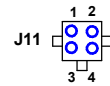
POWER MIG 255 WIRING DIAGRAM L12464 REV: B

CAVITY NUMBERING SEQUENCE (COMPONENT SIDE OF P.C. BOARD)



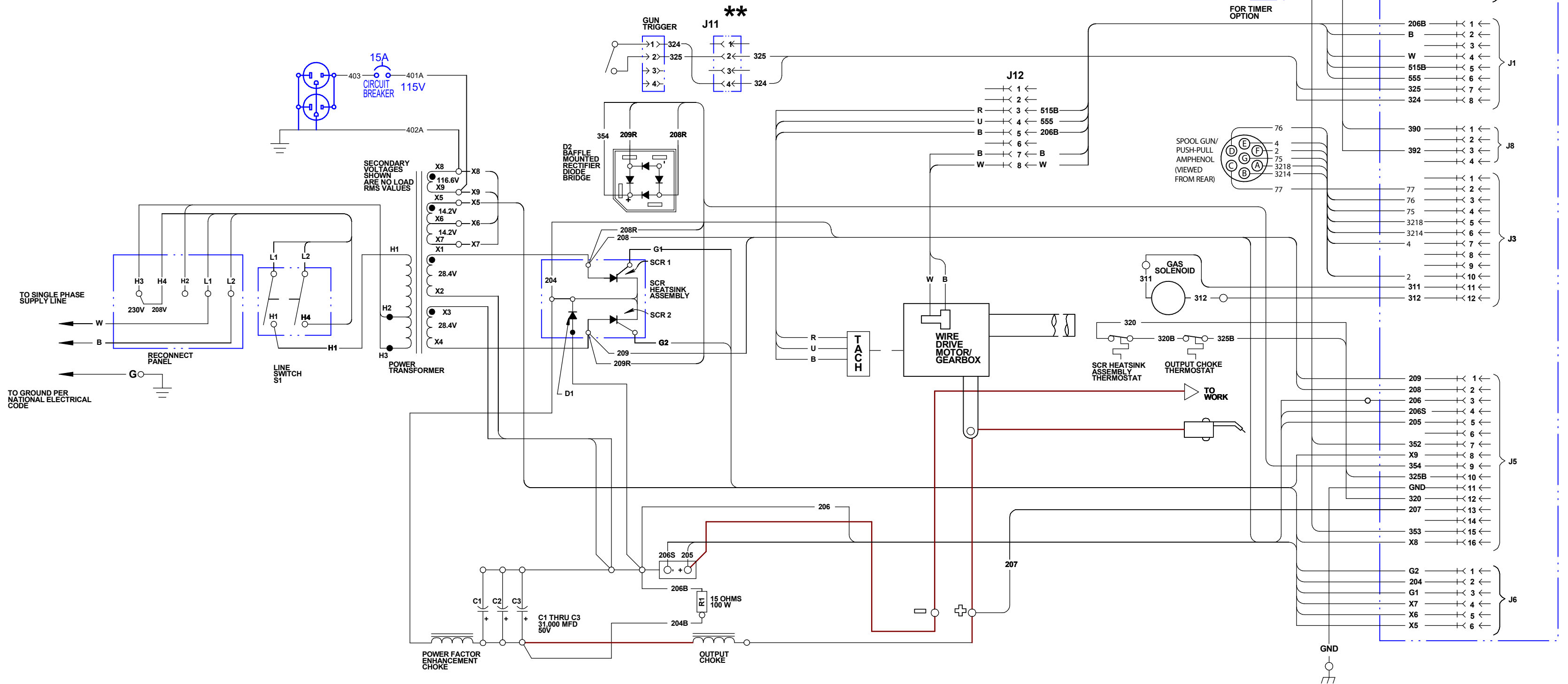
GENERAL INFORMATION
ELECTRICAL SYMBOLS PER E1537
COLOR CODE:
B - BLACK
W - WHITE
R - RED
U - BLUE
INDICATES CONNECTOR CAVITY NO.

** CAVITY NUMBERING SEQUENCE (NON-LEAD SIDE OF CONNECTOR)



NOTES:

N.A. WELDING CABLE MUST BE OF PROPER CAPACITY FOR THE CURRENT AND DUTY CYCLE OF IMMEDIATE AND FUTURE APPLICATIONS.
N.B. THIS DIAGRAM SHOWS THE "ELECTRODE" POLARITY "POSITIVE". TO CHANGE POLARITY, TURN THE UNIT OFF AND REVERSE LEAD CONNECTIONS AT CABLE CONDUCTOR STRAP AND WORK STUD.



LINCOLN
ELECTRIC

CLEVELAND, OHIO U.S.A.