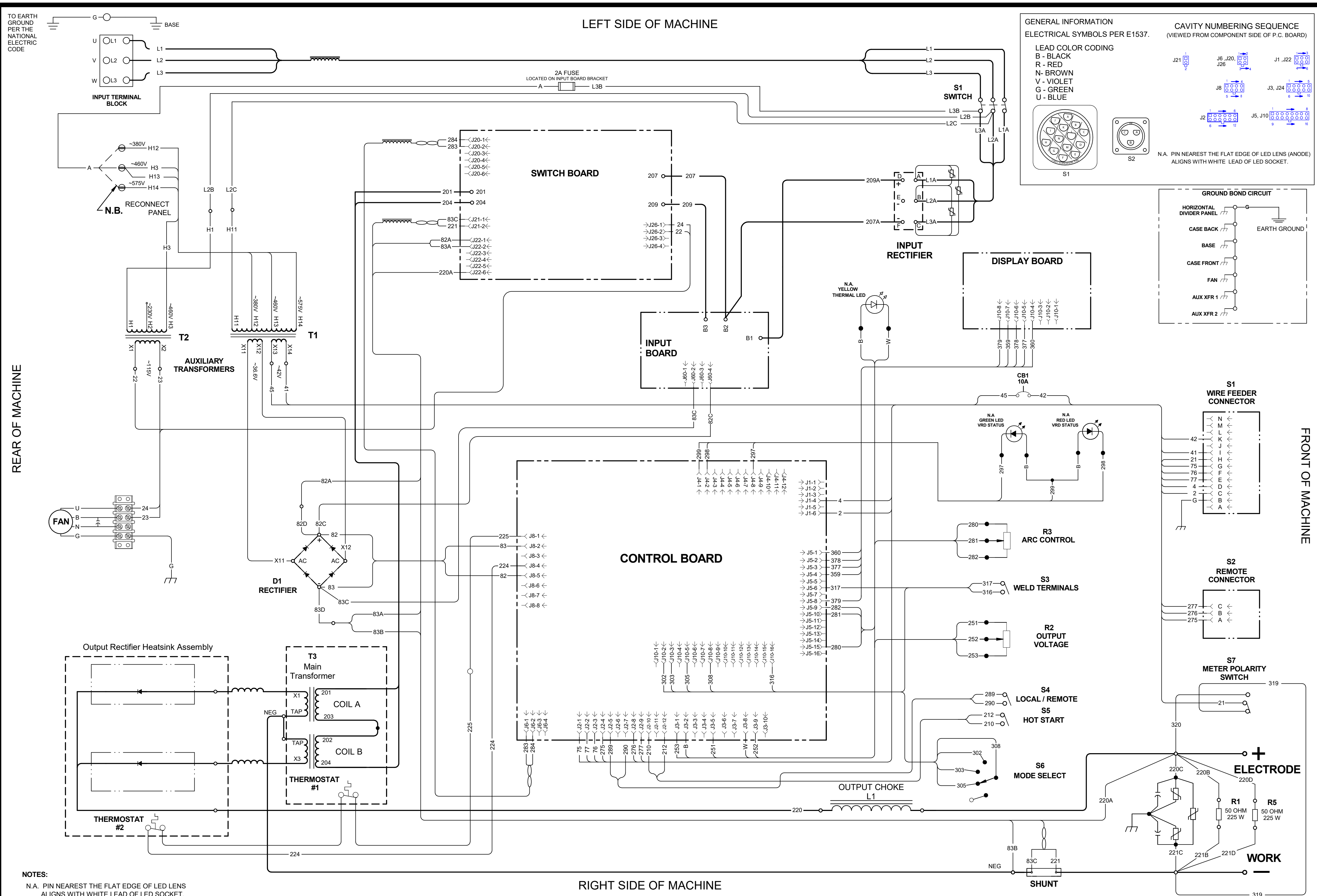


RED-D-ARC FX360 WIRING DIAGRAM G6890-4 REV: B

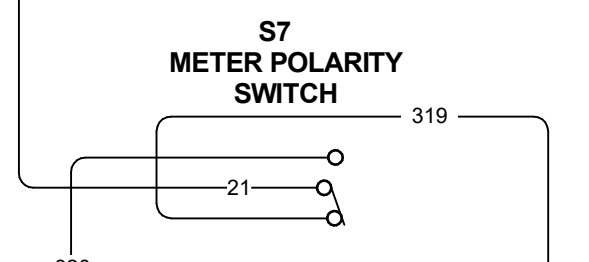
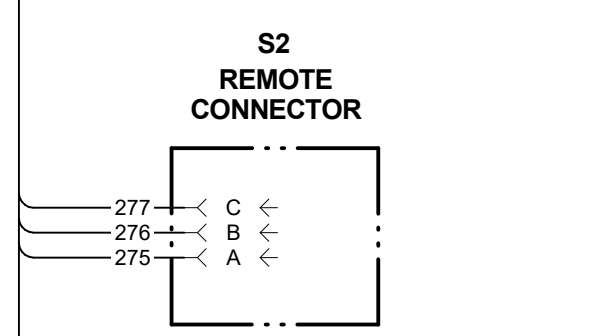
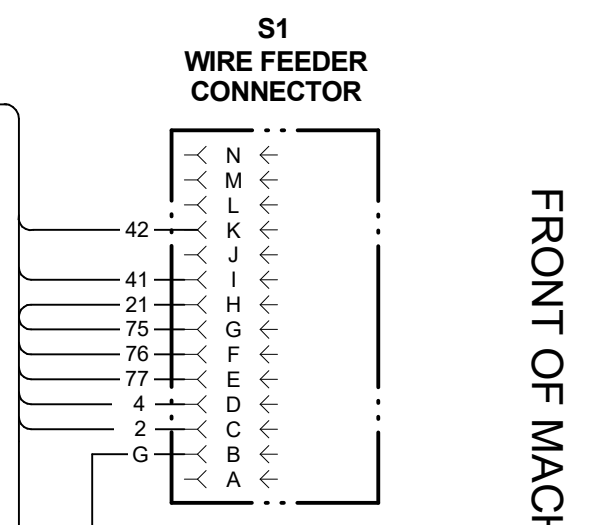
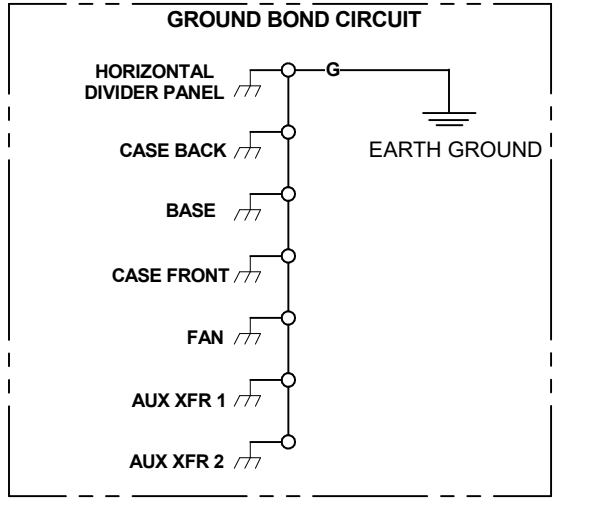


GENERAL INFORMATION
ELECTRICAL SYMBOLS PER E1537.

LEAD COLOR CODING
B - BLACK
R - RED
N- BROWN
V - VIOLET
G - GREEN
U - BLUE

CAVITY NUMBERING SEQUENCE
(VIEWED FROM COMPONENT SIDE OF P.C. BOARD)

N.A. PIN NEAREST THE FLAT EDGE OF LED LENS (ANODE) ALIGNS WITH WHITE LEAD OF LED SOCKET.



NOTES:
N.A. PIN NEAREST THE FLAT EDGE OF LED LENS ALIGNS WITH WHITE LEAD OF LED SOCKET.
N.B. PLACE "A" LEAD ON APPROPRIATE CONNECTION FOR INPUT VOLTAGE. CONNECTION SHOWN IS FOR 460 V OPERATION.

RIGHT SIDE OF MACHINE

