

CONTROL BOX

NOTE A: LEAD #250 FROM POWER FACTOR CAPACITORS CONNECTS AS FOLLOWS, DEPENDING ON THE HIGHEST NAMEPLATE INPUT VOLTAGE:

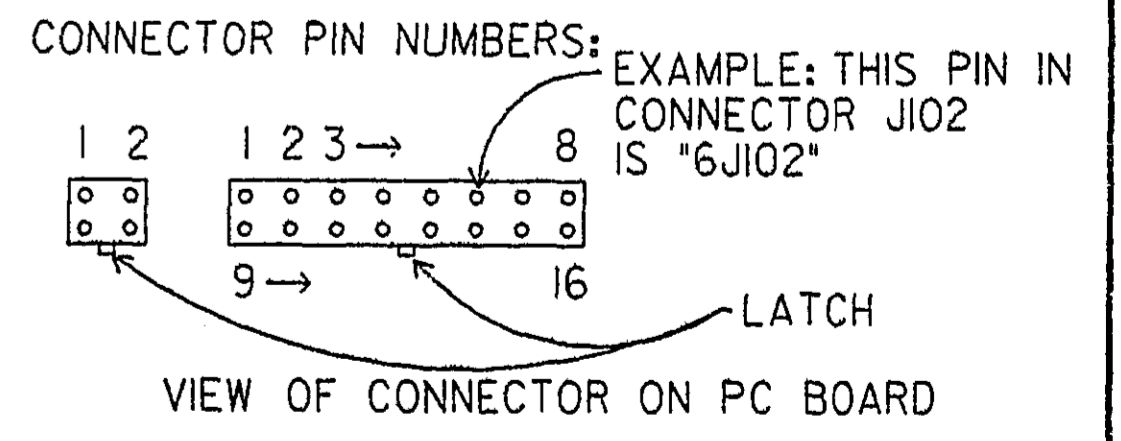
HIGHEST NAMEPLATE INPUT VOLTAGE:	LEAD #250 CONNECTS TO 'HIGH' TERMINAL ON RECONNECT PANEL, ALONG WITH CORRECT LEAD FROM MAIN TRANSFORMER (T1)
440 THRU 460	
480 AND HIGHER AND 400 AND LOWER	LEAD #250 CONNECTS TO H5 LEAD OF MAIN TRANSFORMER

*-DENOTES ACTIVE LOW LOGIC SIGNAL
 CW-DENOTES CLOCKWISE POSITION WHEN VIEWED FROM FRONT OF POTENTIOMETERS.
 ALL LOGIC IS 15V UNLESS OTHERWISE SPECIFIED.

ELECTRICAL SYMBOLS PER E1537

COMPONENT VALUES:
 CAPACITORS = MFD/VOLTS
 RESISTORS = OHMS/WATTS
 DIODES = AMPS/VOLTS

LEAD COLOR CODING
 B-BLACK U-BLUE
 N-BROWN W-WHITE
 R-RED Y-YELLOW



CAD: 520-207-517911.dgn